



US00D578155S

(12) **United States Design Patent**  
**Saito et al.**

(10) **Patent No.:** **US D578,155 S**  
(45) **Date of Patent:** **\*\* Oct. 7, 2008**

(54) **TONER CARTRIDGE**

2007/0166060 A1\* 7/2007 Hatanaka ..... 399/27

(75) Inventors: **Yasuhide Saito**, Saitama (JP); **Kazuhiro Saito**, Saitama (JP); **Shinichi Sakai**, Saitama (JP); **Akinori Ono**, Saitama (JP)

OTHER PUBLICATIONS  
U.S. Appl. No. 29/296,670, filed Oct. 25, 2007, Yasuhide Saito.  
U.S. Appl. No. 29/296,720, filed Oct. 26, 2007, Yasuhide Saito.  
U.S. Appl. No. 29/296,660, filed Oct. 25, 2007, Yasuhide Saito.  
U.S. Appl. No. 29/296,643, filed Oct. 25, 2007, Kazuhiro Saito.

(73) Assignee: **Fuji Xerox Co., Ltd.**, Tokyo (JP)

\* cited by examiner

(\*\*) Term: **14 Years**

*Primary Examiner*—Caron D. Veynar  
*Assistant Examiner*—Garth Rademaker

(21) Appl. No.: **29/296,661**

(74) *Attorney, Agent, or Firm*—Sughrue Mion, PLLC

(22) Filed: **Oct. 25, 2007**

(30) **Foreign Application Priority Data**

(57) **CLAIM**

Apr. 26, 2007 (JP) ..... 2007-011249

The ornamental design for a toner cartridge, as shown and described.

(51) **LOC (8) Cl.** ..... **16-03**

(52) **U.S. Cl.** ..... **D18/43**

(58) **Field of Classification Search** ..... D14/471;  
D18/12, 36, 40, 43, 44, 56; 222/DIG. 1;  
347/197, 222; 399/24–28, 107–112, 119,  
399/121, 122, 222–224

**DESCRIPTION**

See application file for complete search history.

FIG. 1 is a perspective view of the front, bottom and left side of a toner cartridge showing our new design;

FIG. 2 is a perspective view of the top, rear and right side thereof;

FIG. 3 is a front view thereof;

FIG. 4 is a rear view thereof;

FIG. 5 is a top plan view thereof;

FIG. 6 is a bottom view thereof;

FIG. 7 is a left side view thereof;

FIG. 8 is a right side view thereof; and,

FIG. 9 is a perspective view thereof, shown at an enlarged scale.

The broken lines depict environmental subject matter only and form no part of the claimed design.

(56) **References Cited**

**U.S. PATENT DOCUMENTS**

D368,112 S *	3/1996	Komaki	.....	D18/43
6,185,390 B1 *	2/2001	Higeta et al.	.....	399/111
D462,712 S *	9/2002	Katou et al.	.....	D18/43
D464,079 S *	10/2002	Funayama et al.	.....	D18/43
D464,369 S *	10/2002	Kunihiro et al.	.....	D18/43
D478,614 S *	8/2003	Numagami et al.	.....	D18/40
D519,150 S *	4/2006	Kojima et al.	.....	D18/40
D522,565 S *	6/2006	Sanada et al.	.....	D18/43
7,068,965 B2 *	6/2006	Yoshino et al.	.....	399/119
D524,848 S *	7/2006	Murata	.....	D18/43
7,174,123 B1 *	2/2007	Miller	.....	399/27

**1 Claim, 5 Drawing Sheets**

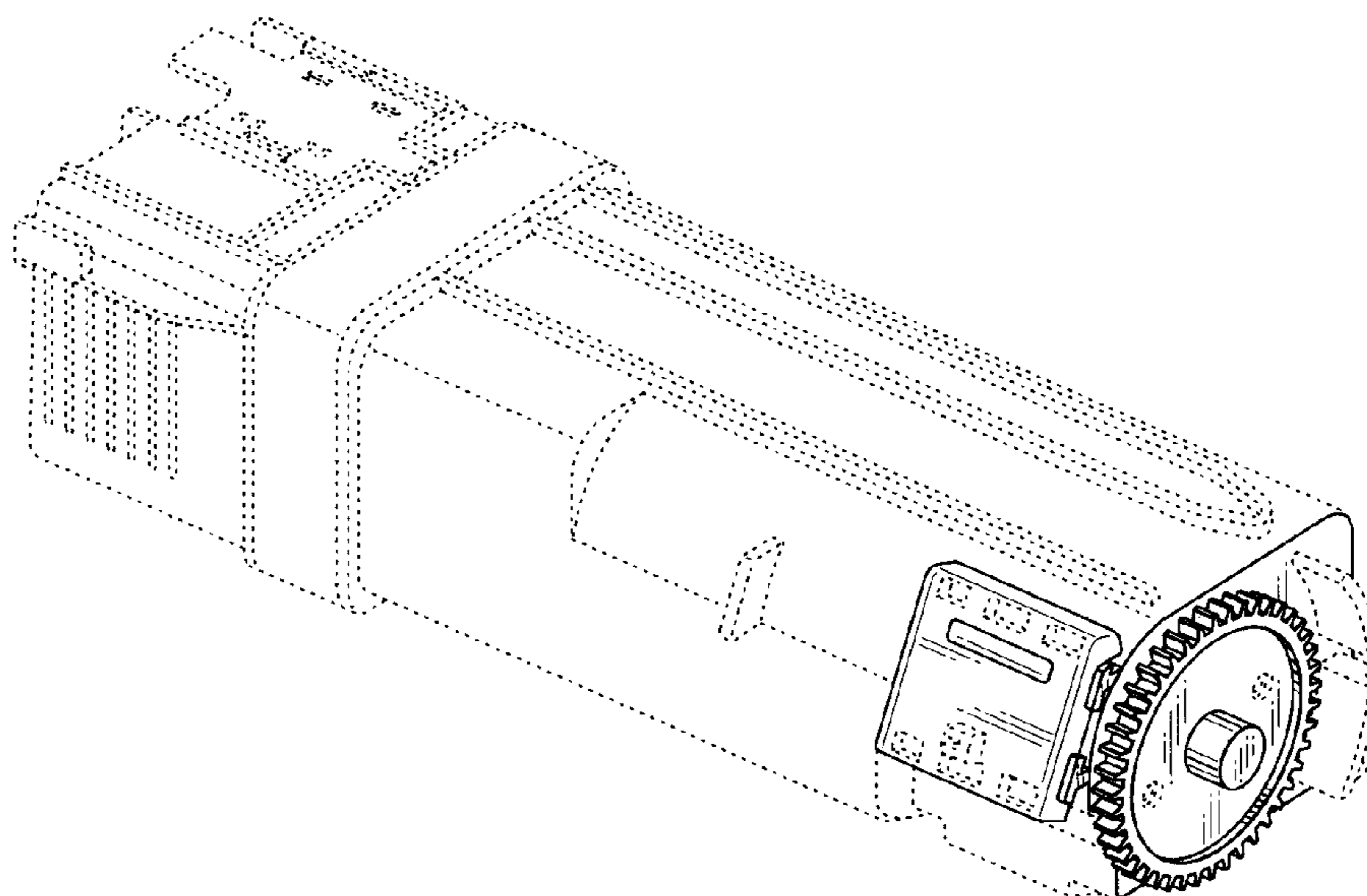


FIG.1

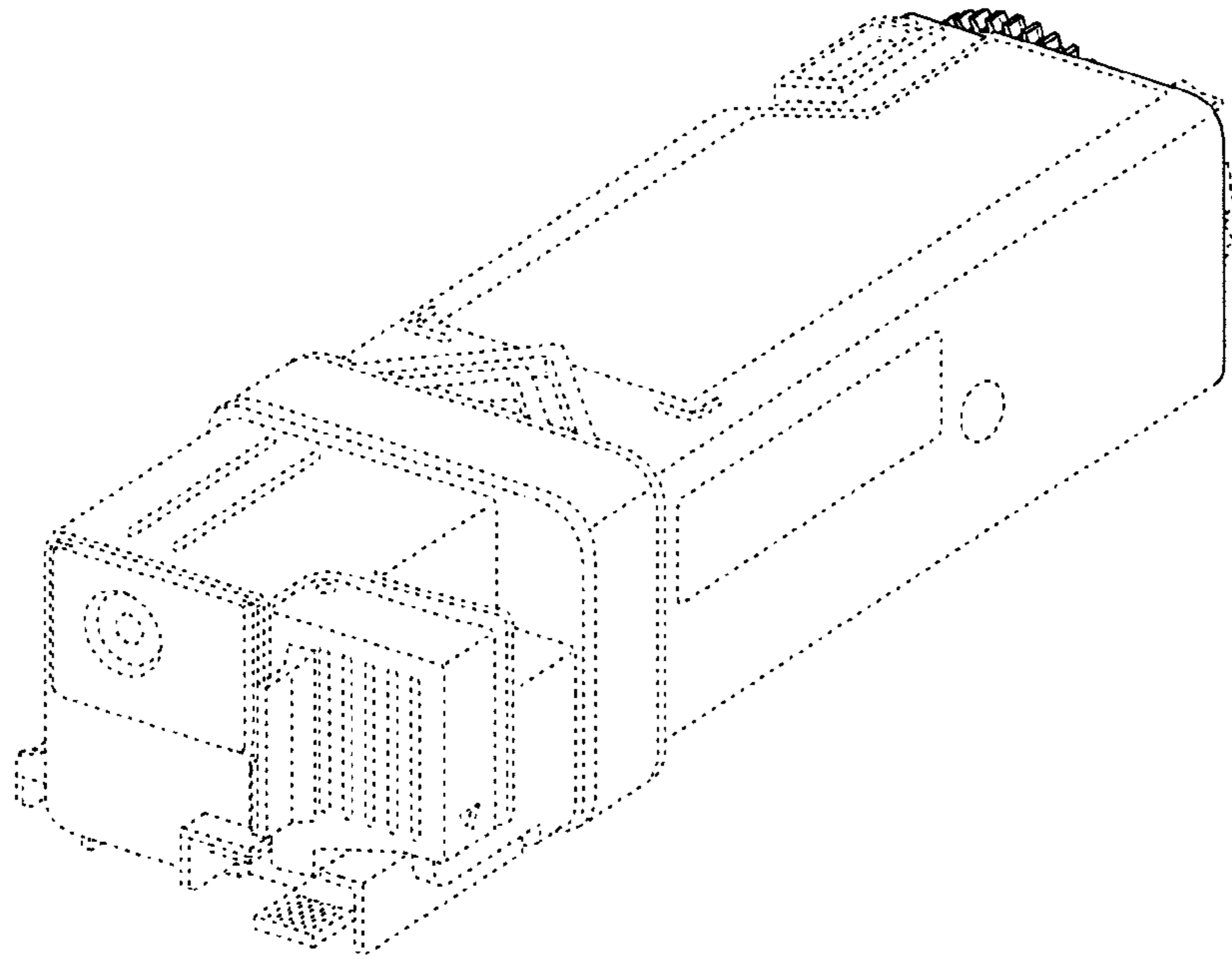


FIG.2

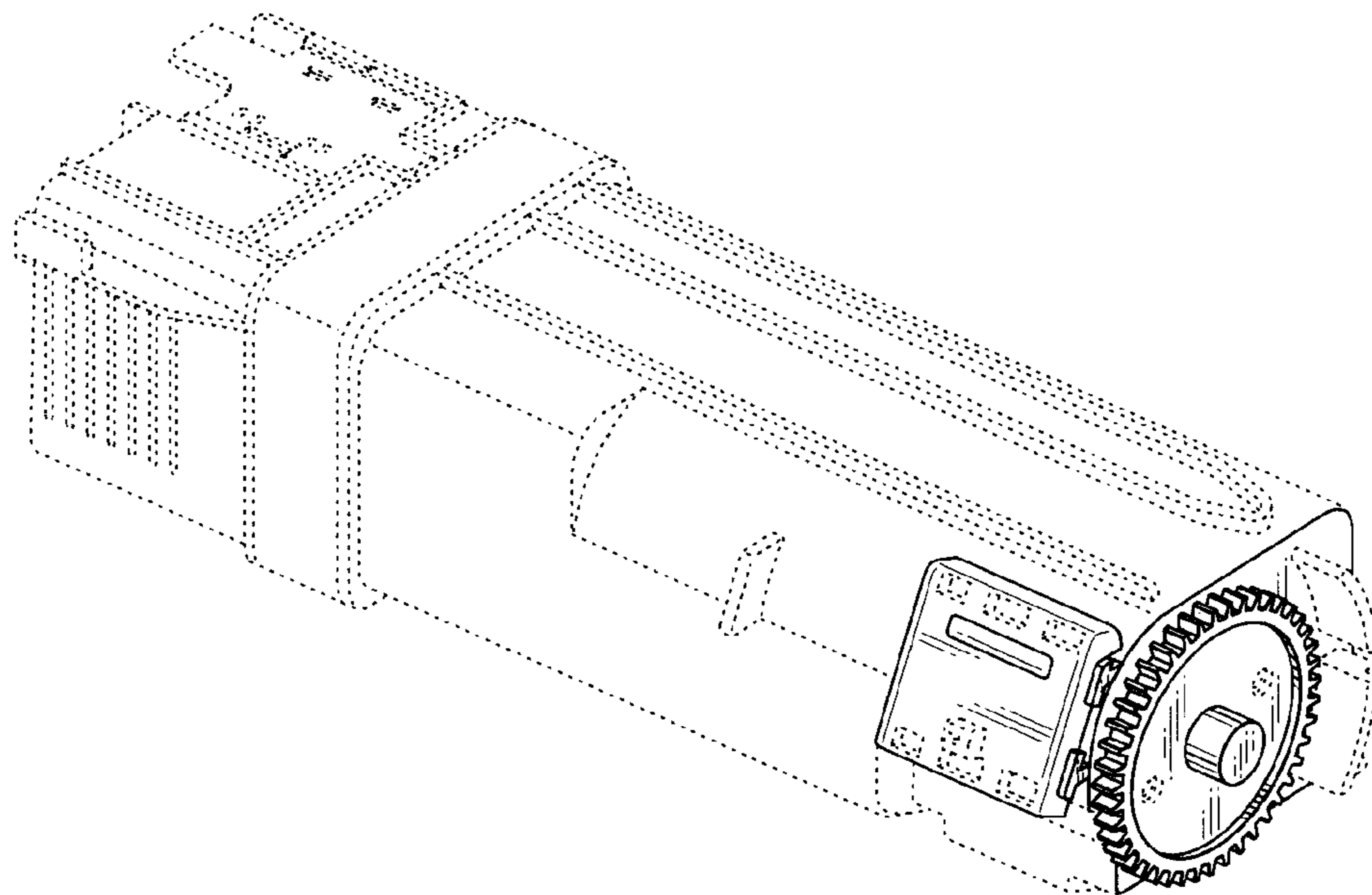


FIG.3

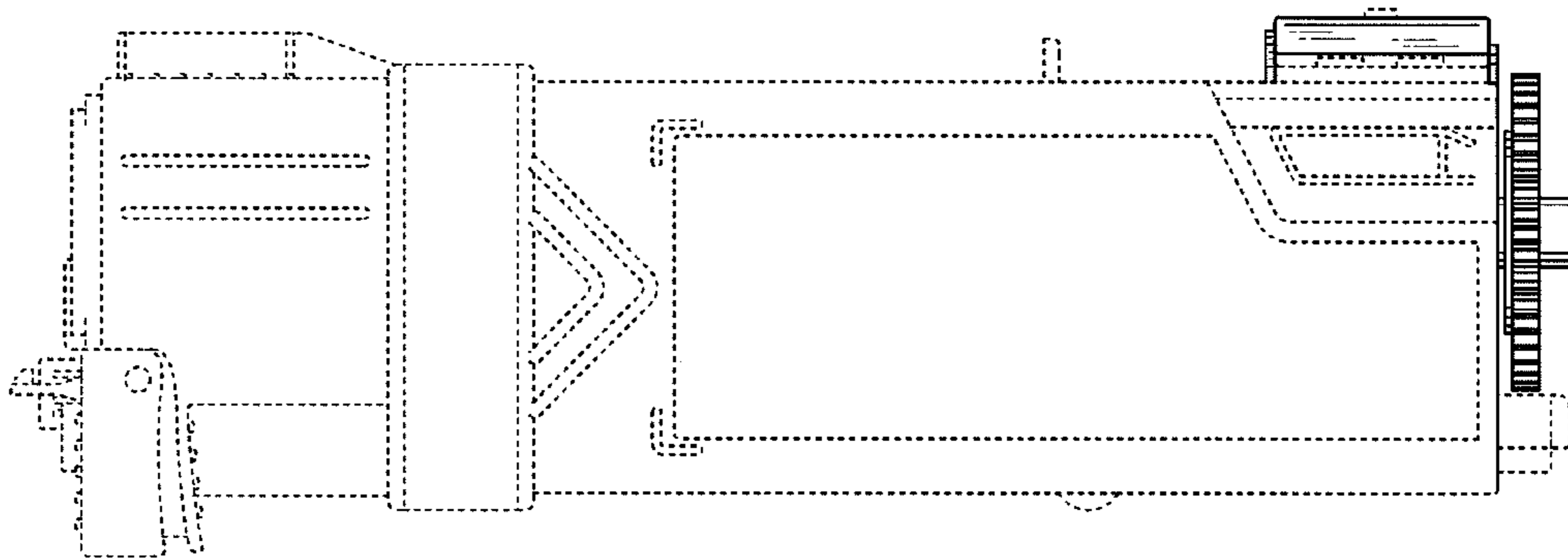


FIG.4

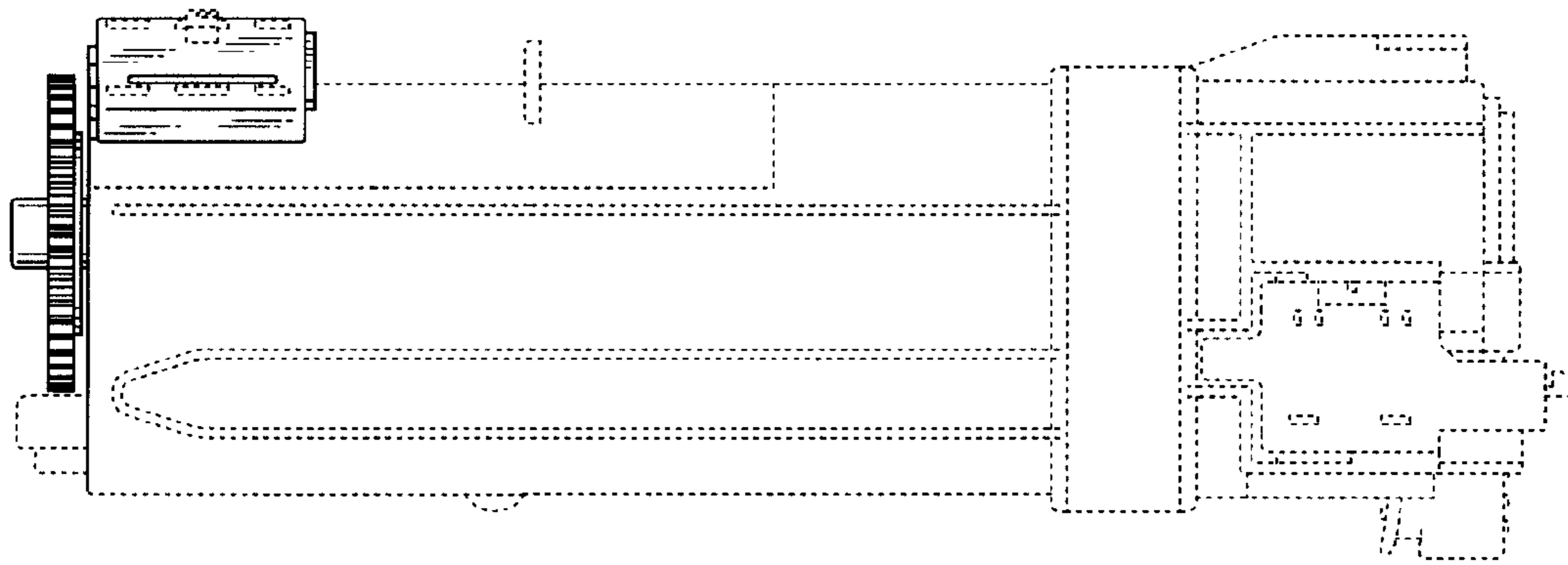


FIG.5

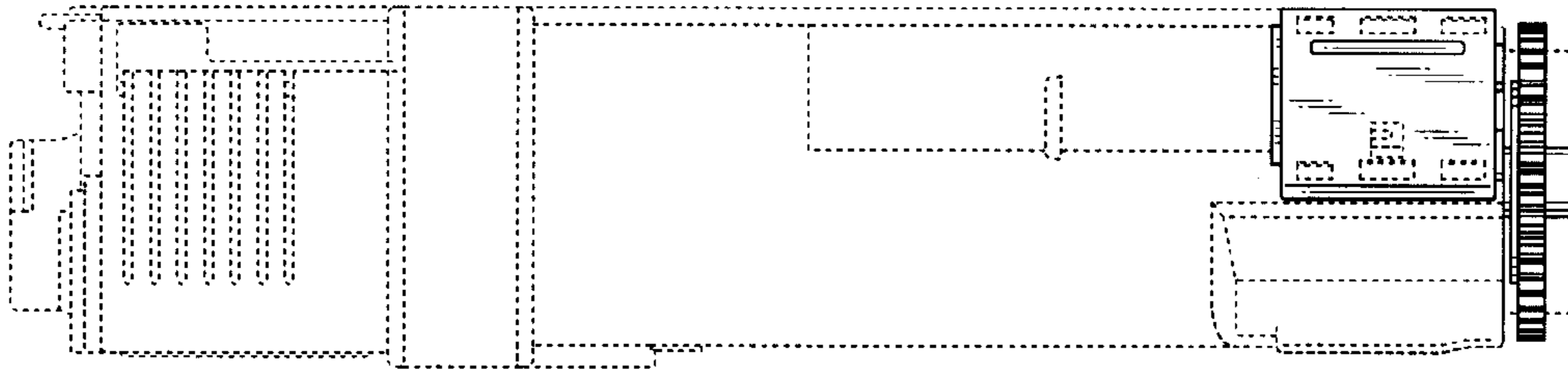


FIG.6

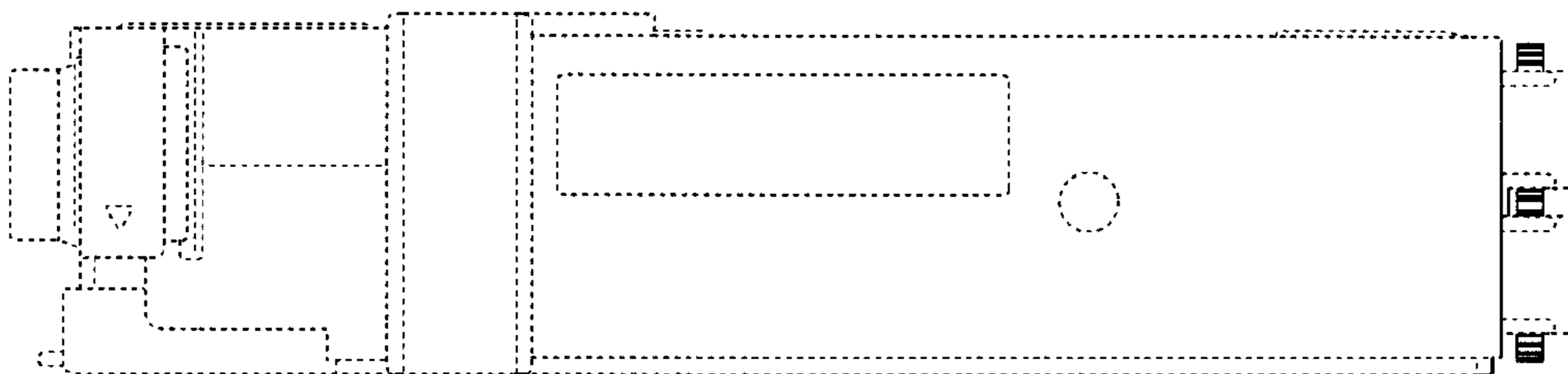


FIG.7

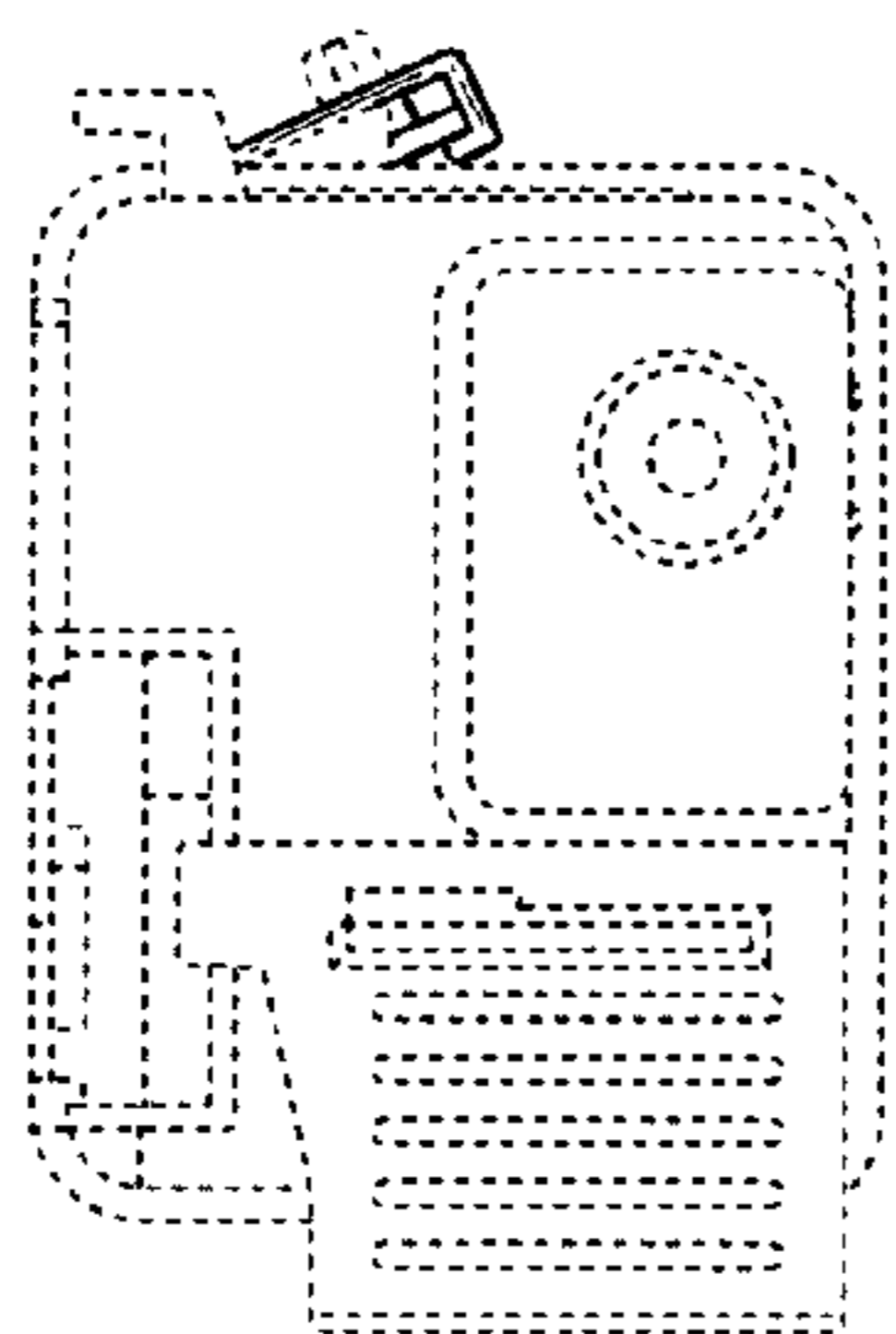


FIG.8

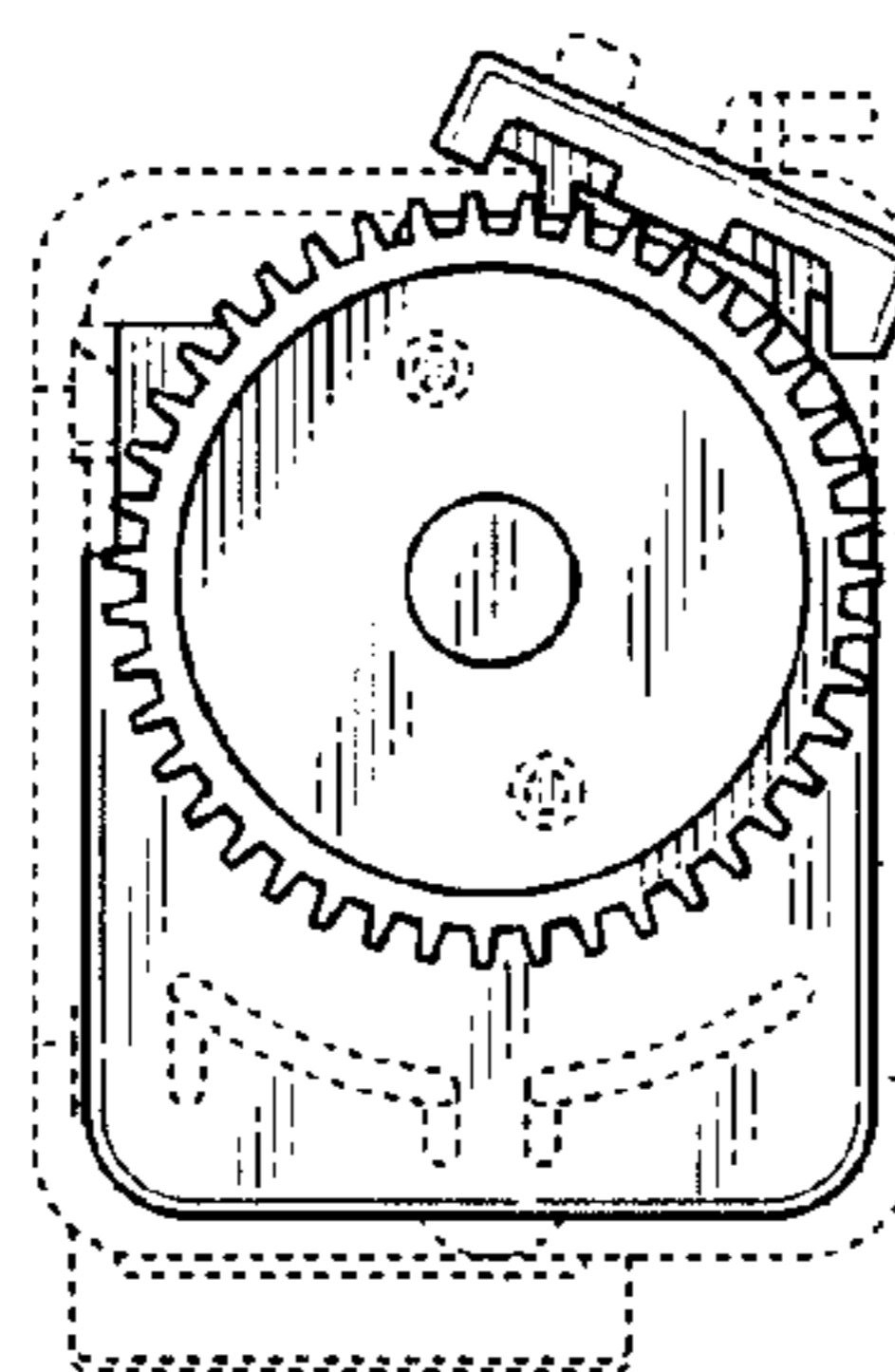


FIG.9

