



US00D578154S

(12) **United States Design Patent**  
**Isogai et al.**

(10) **Patent No.:** **US D578,154 S**  
(45) **Date of Patent:** **\*\* Oct. 7, 2008**

(54) **ELECTRONIC COPYING MACHINE**

(75) Inventors: **Yoshitaka Isogai**, Tokyo (JP); **Yu Iritani**, Tokyo (JP); **Shin Sugiura**, Wako (JP)

(73) Assignee: **Konica Minolta Business Technologies, Inc.**, Chiyoda-ku, Tokyo (JP)

(\*\*) Term: **14 Years**

(21) Appl. No.: **29/300,500**

(22) Filed: **Apr. 3, 2008**

**Related U.S. Application Data**

(62) Division of application No. 29/265,731, filed on Sep. 8, 2006, now Pat. No. Des. 573,176.

(30) **Foreign Application Priority Data**

Mar. 14, 2006	(JP)	.....	2006-006400
Mar. 14, 2006	(JP)	.....	2006-006401
Mar. 14, 2006	(JP)	.....	2006-006402
Mar. 14, 2006	(JP)	.....	2006-006403

(51) **LOC (8) Cl.** ..... **16-03**

(52) **U.S. Cl.** ..... **D18/40**

(58) **Field of Classification Search** ..... D18/36-41, D18/44-56; 222/DIG. 1; 271/3.14, 8.1, 271/226, 278; 355/97, 99; 358/1.1; 399/1-7, 399/16, 75, 81, 107, 130, 151, 361, 365, 399/367, 381-383, 388

See application file for complete search history.

(56) **References Cited**

**U.S. PATENT DOCUMENTS**

D537,114 S \* 2/2007 Gant et al. .... D18/54

(Continued)

**FOREIGN PATENT DOCUMENTS**

JP D1256269 11/2005

(Continued)

*Primary Examiner*—Caron D. Veynar  
*Assistant Examiner*—Garth Rademaker

(74) *Attorney, Agent, or Firm*—Buchanan Ingersoll & Rooney PC

(57) **CLAIM**

The ornamental design for an electronic copying machine, as shown and described.

**DESCRIPTION**

FIG. 1 is a top, front and left side perspective view of an electronic copying machine showing a first embodiment of our new design;

FIG. 2 is a top, rear and left side perspective view thereof;

FIG. 3 is a top, front and right side perspective view thereof;

FIG. 4 is a top, rear and right side perspective view thereof;

FIG. 5 is a front elevational view thereof;

FIG. 6 is a rear elevational view thereof;

FIG. 7 is a top plan view thereof;

FIG. 8 is a bottom plan view thereof;

FIG. 9 is a right side view thereof;

FIG. 10 is a left side view thereof;

FIG. 11 is a top, front and left side perspective view of an electronic copying machine showing a second embodiment of our new design;

FIG. 12 is a top, rear and left side perspective view thereof;

FIG. 13 is a top, front and right side perspective view thereof;

FIG. 14 is a top, rear and right side perspective view thereof;

FIG. 15 is a front elevational view thereof;

FIG. 16 is a rear elevational view thereof;

FIG. 17 is a top plan view thereof;

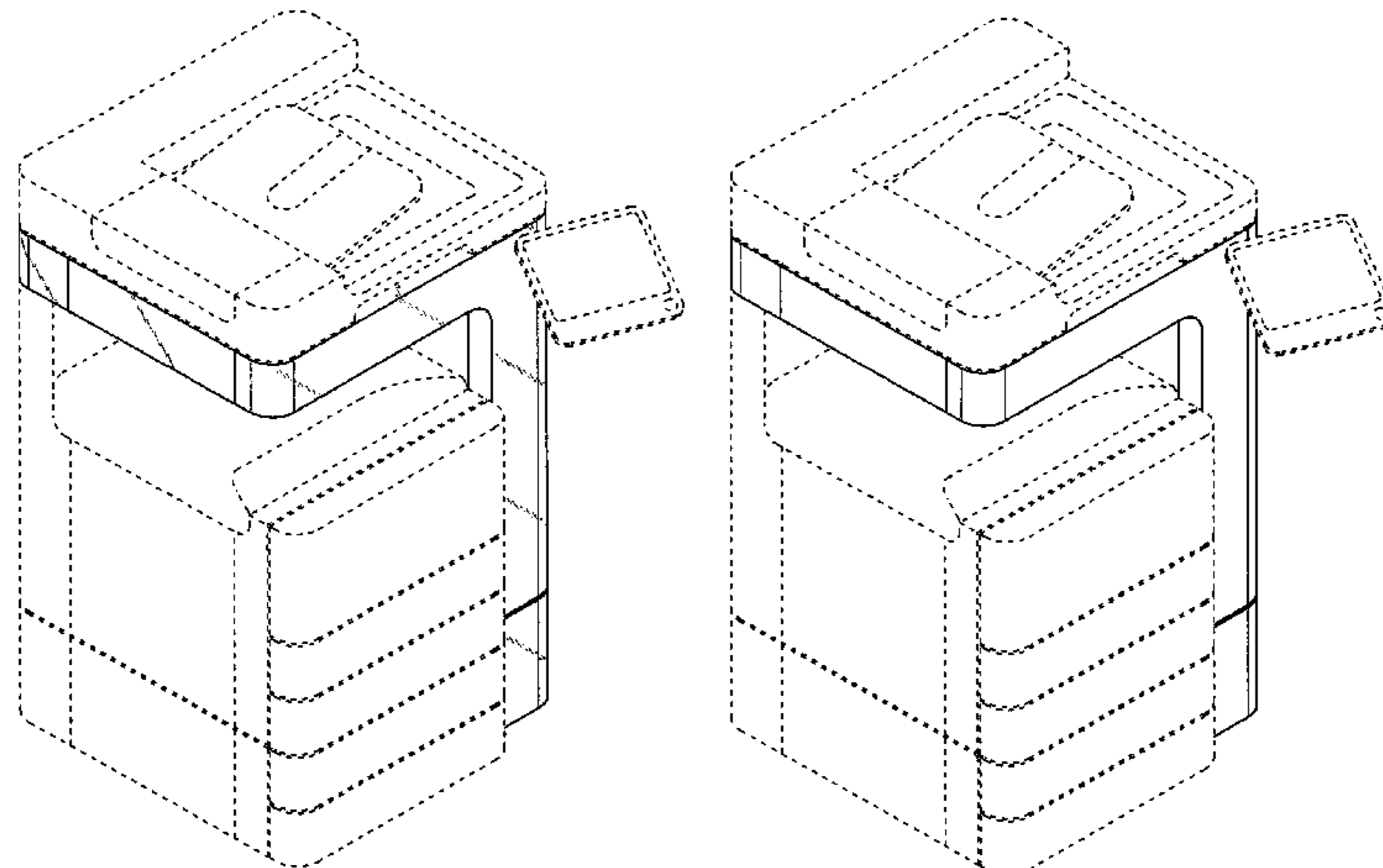
FIG. 18 is a bottom plan view thereof;

FIG. 19 is a right side view thereof; and,

FIG. 20 is a left side view thereof.

The broken lines depict environmental subject matter only and form no part of the claimed design. The shading in the drawings is intended to illustrate that the surface is translucent.

**1 Claim, 18 Drawing Sheets**



# US D578,154 S

Page 2

---

## U.S. PATENT DOCUMENTS

D548,776 S \* 8/2007 Egami et al. .... D18/50  
D549,772 S \* 8/2007 Mase et al. .... D18/55  
7,298,979 B2 \* 11/2007 Kitozaki ..... 399/107  
2008/0003010 A1 \* 1/2008 Isogai et al. .... 399/81

## FOREIGN PATENT DOCUMENTS

JP D1256270 11/2005  
JP D1256271 11/2005

JP D1256272 11/2005  
JP D1256273 11/2005  
JP D1256274 11/2005  
JP D1256275 11/2005  
JP D1256425 11/2005  
JP D1256426 11/2005  
JP D1256919 11/2005  
JP D1256920 11/2005

\* cited by examiner

Fig. 1

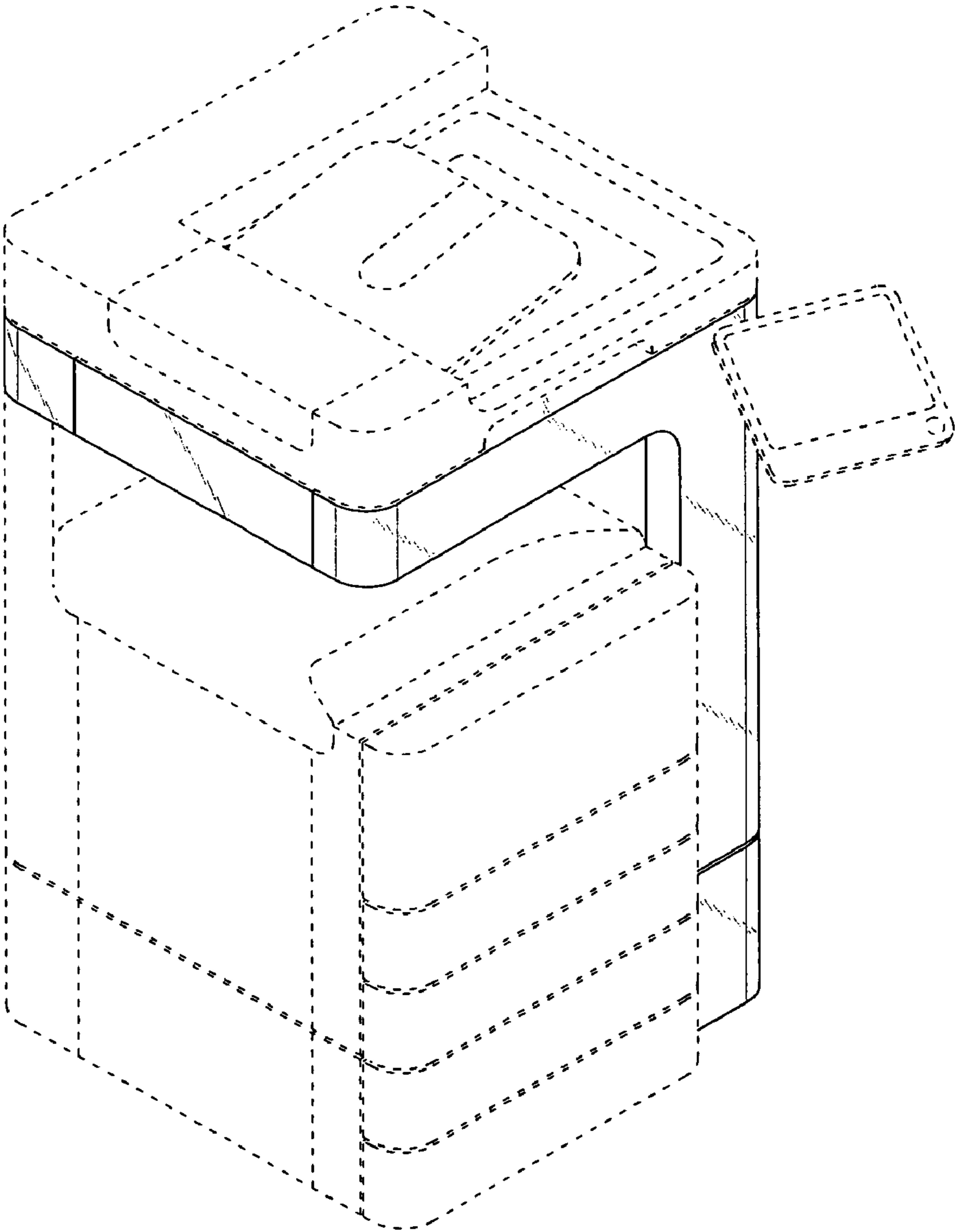


Fig. 2

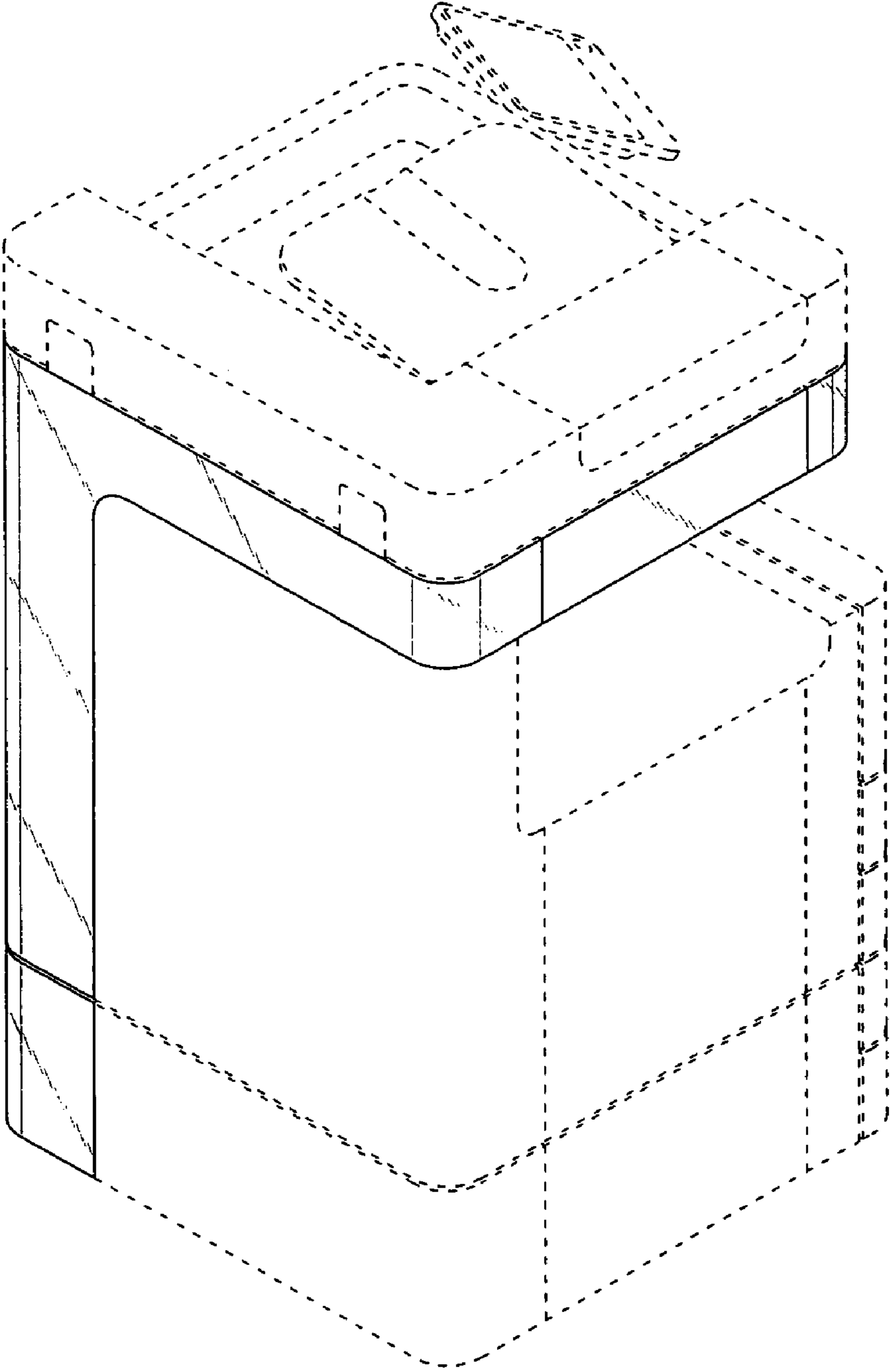


Fig. 3

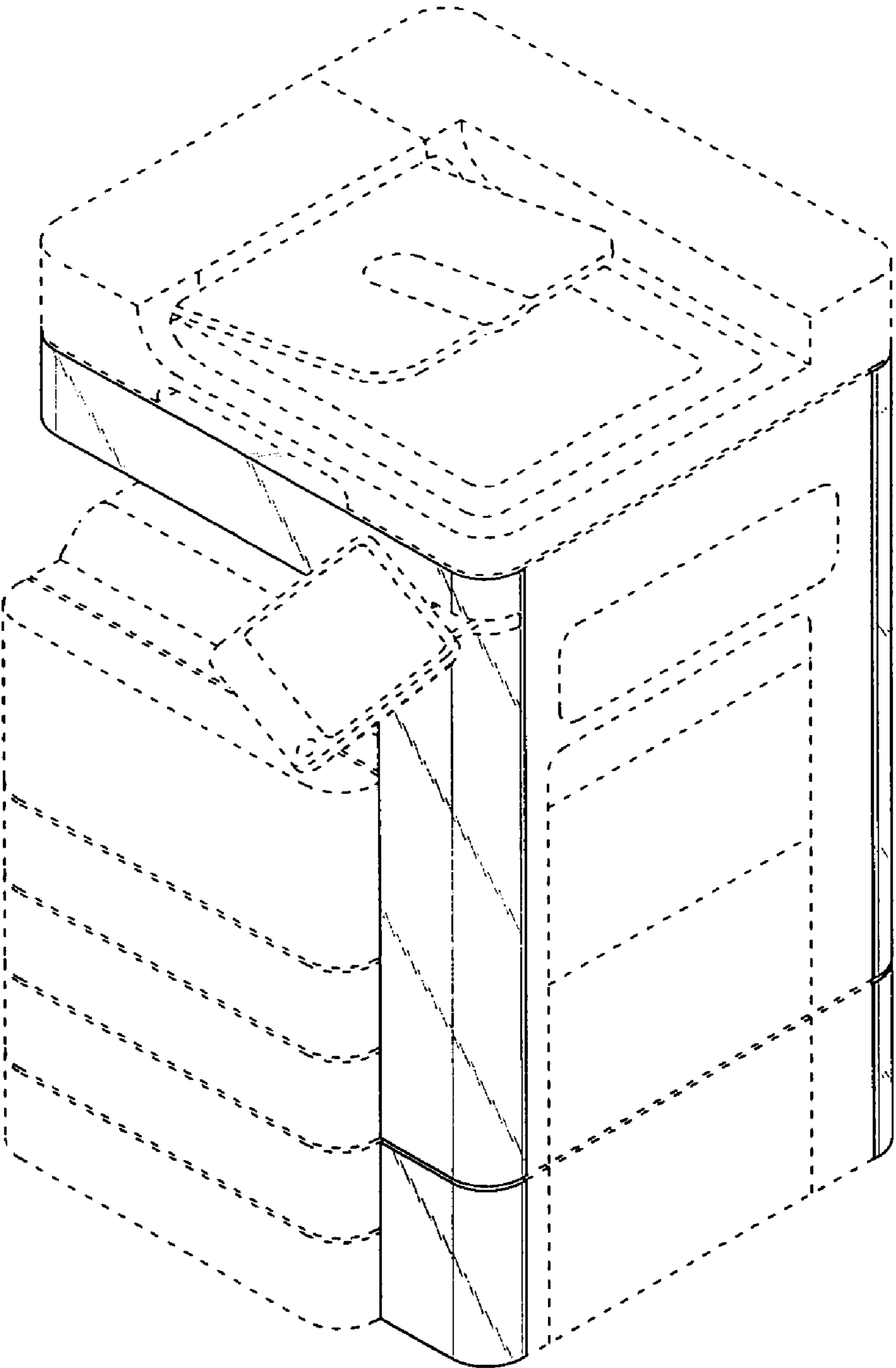


Fig. 4

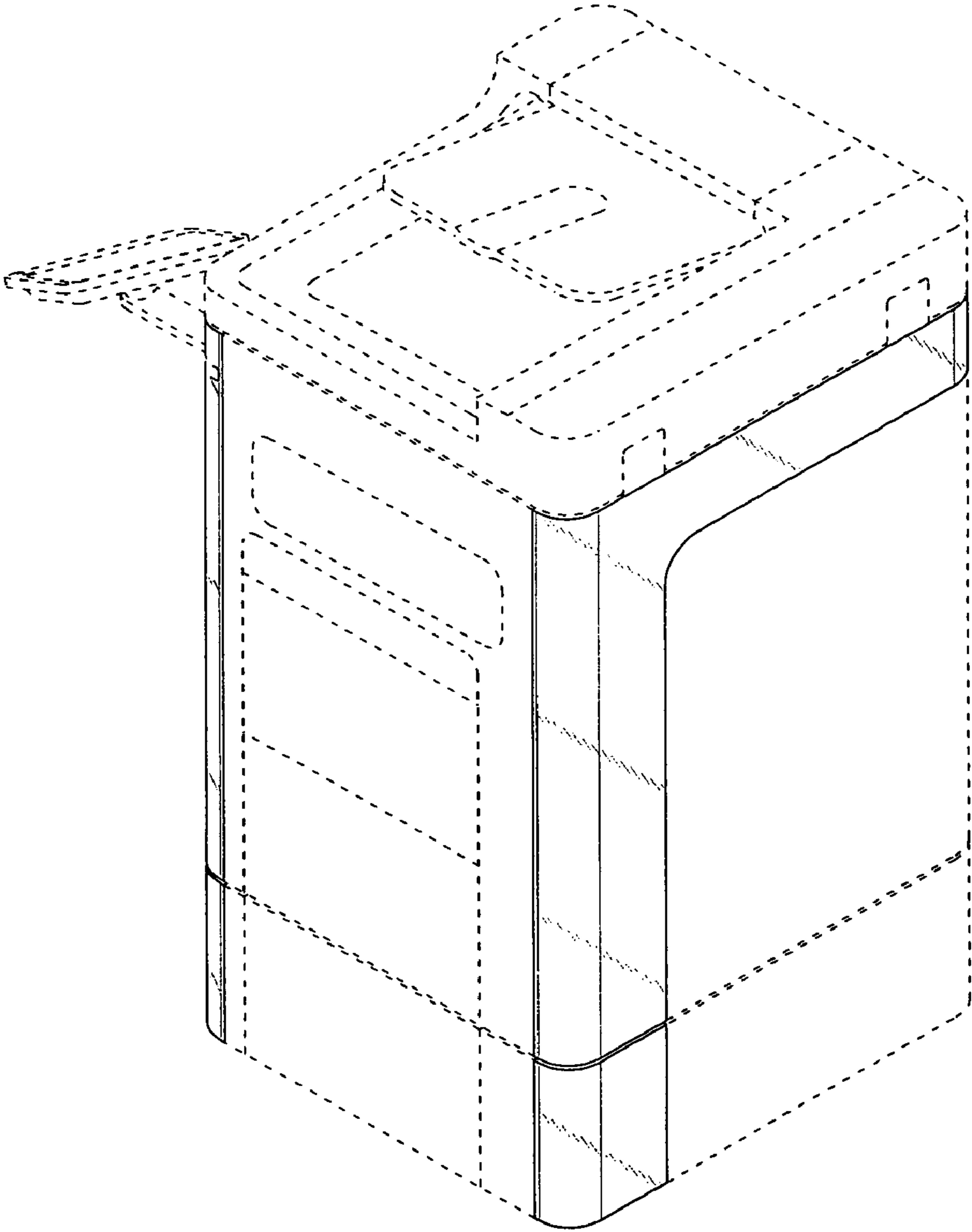


Fig. 5

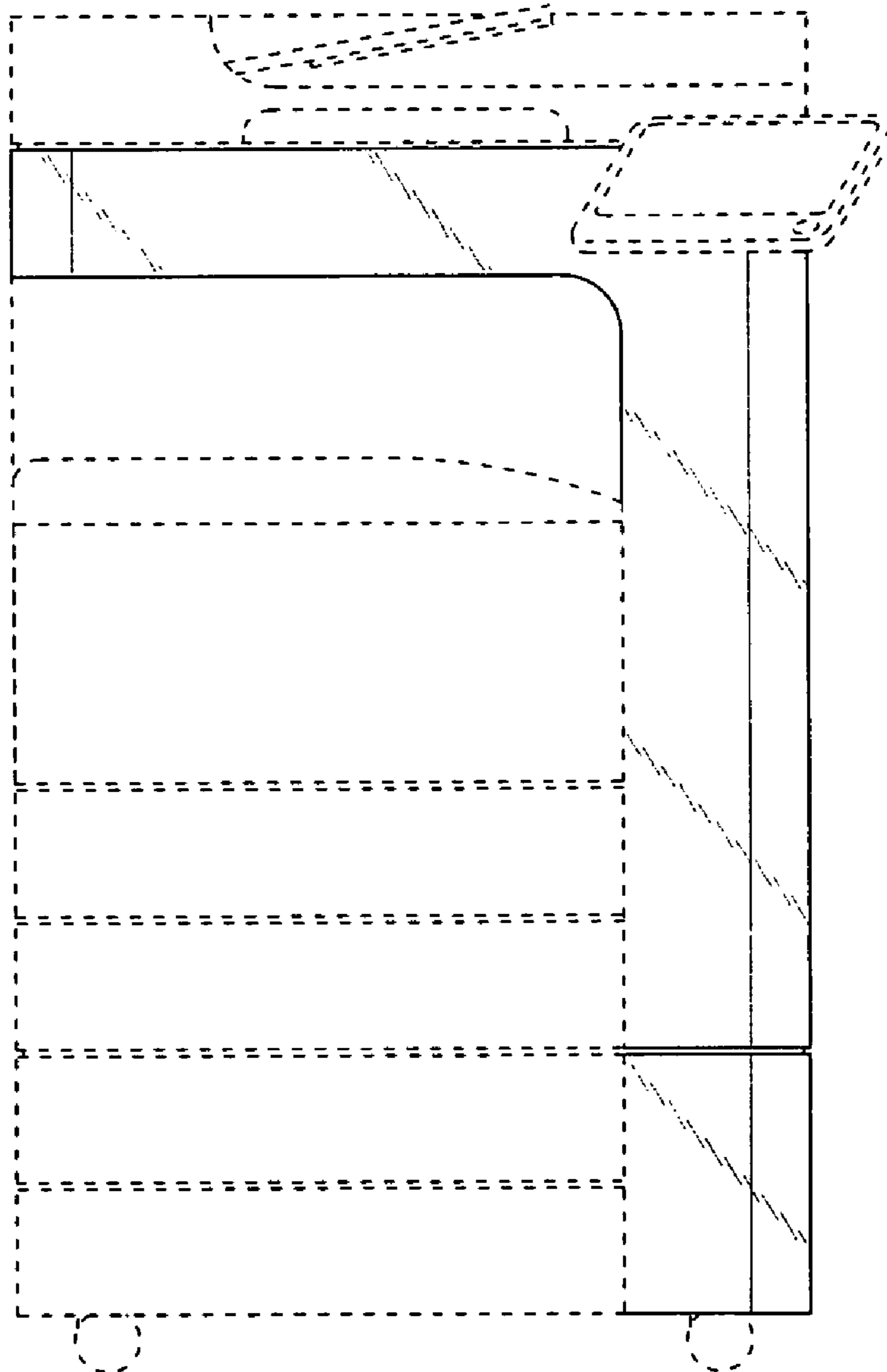


Fig. 6

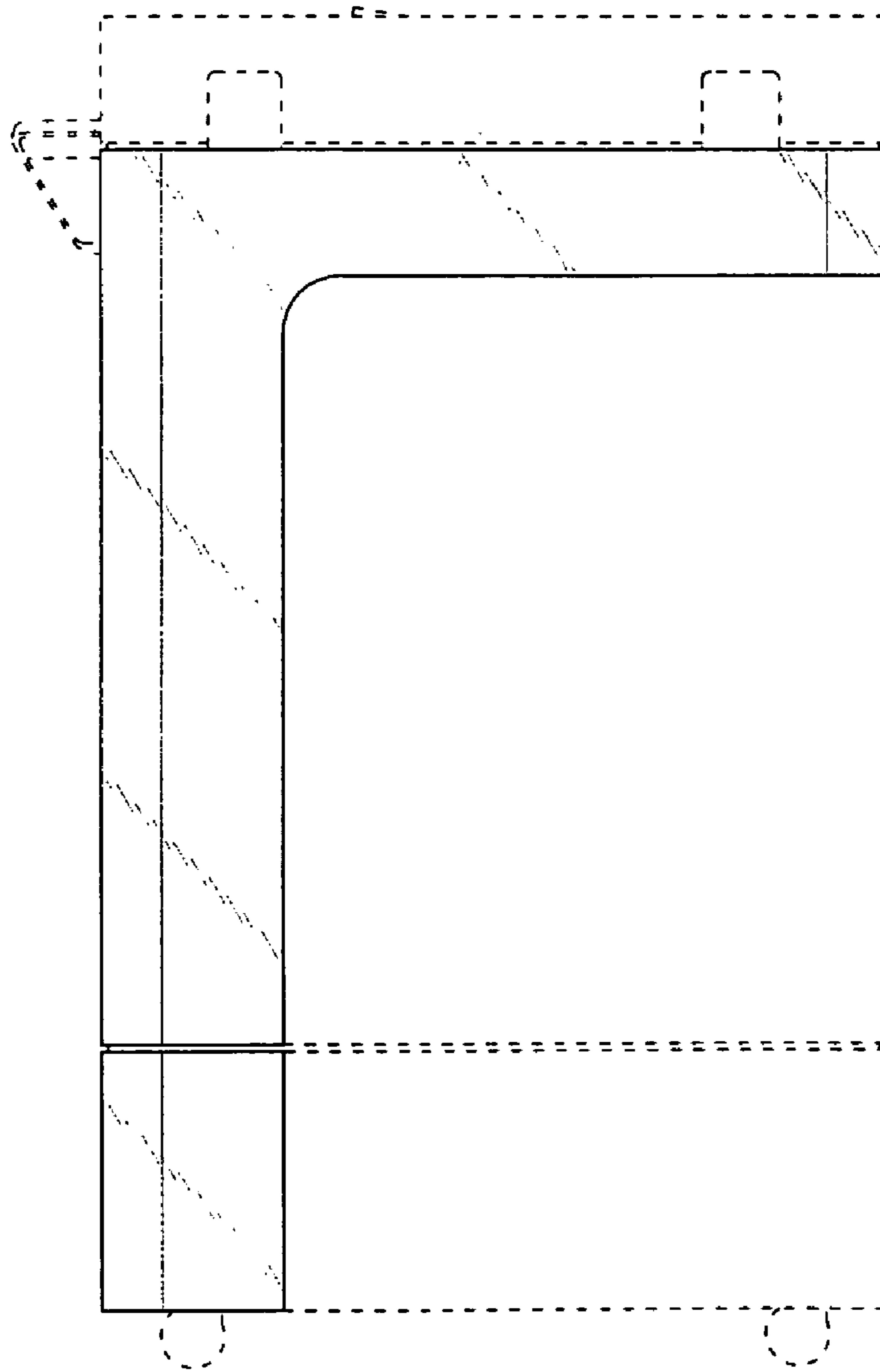




Fig. 7

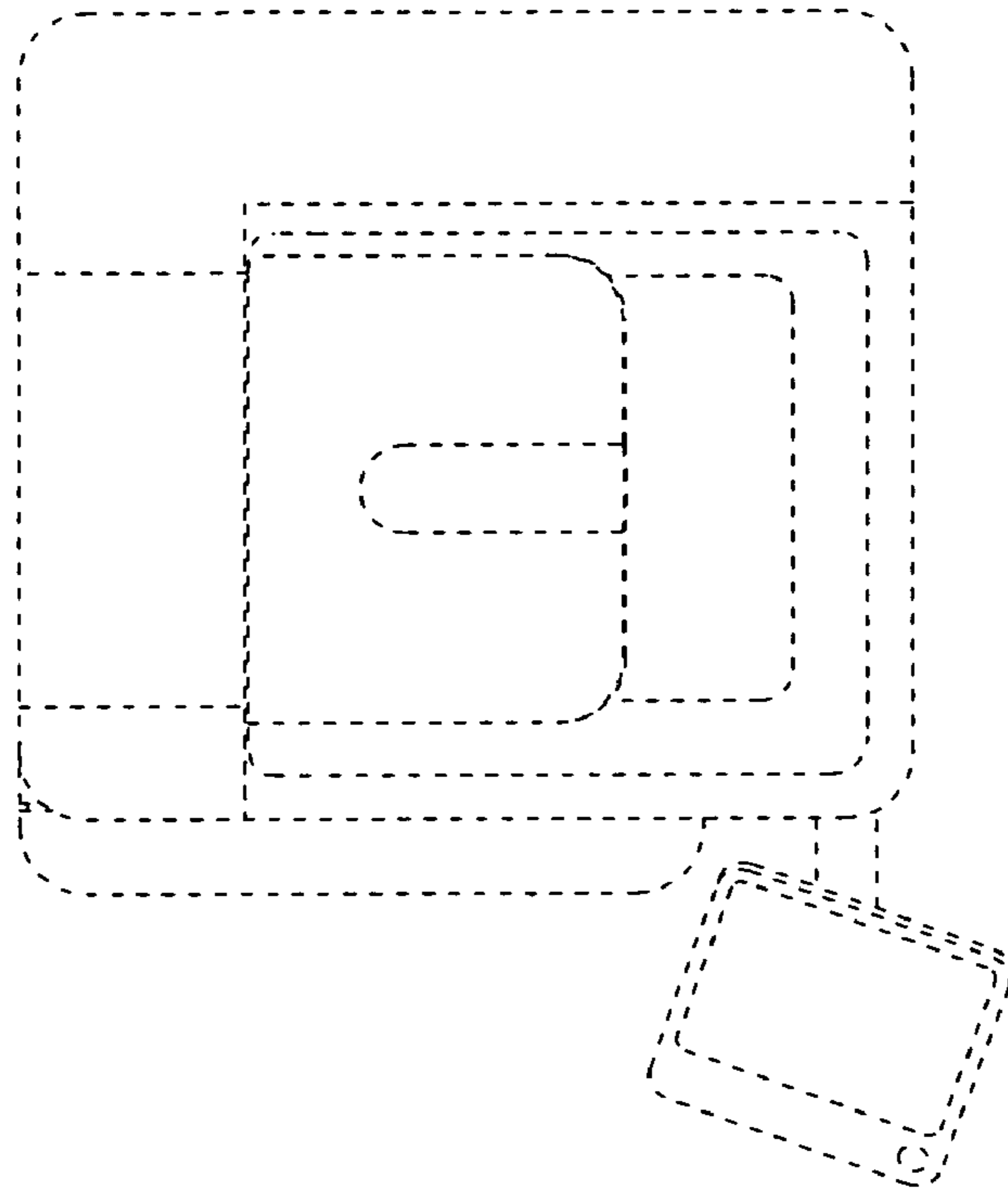


Fig. 8

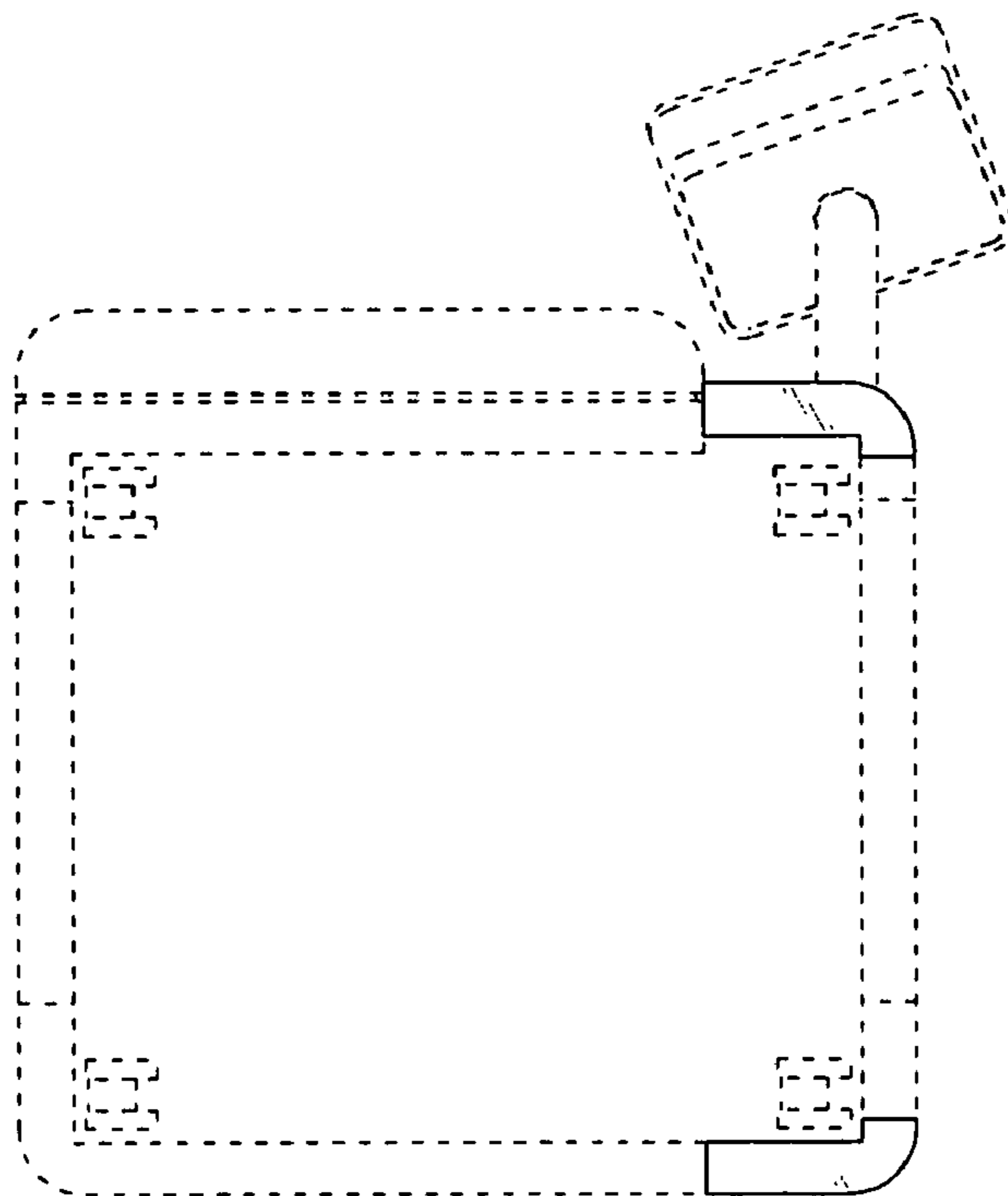


Fig. 9

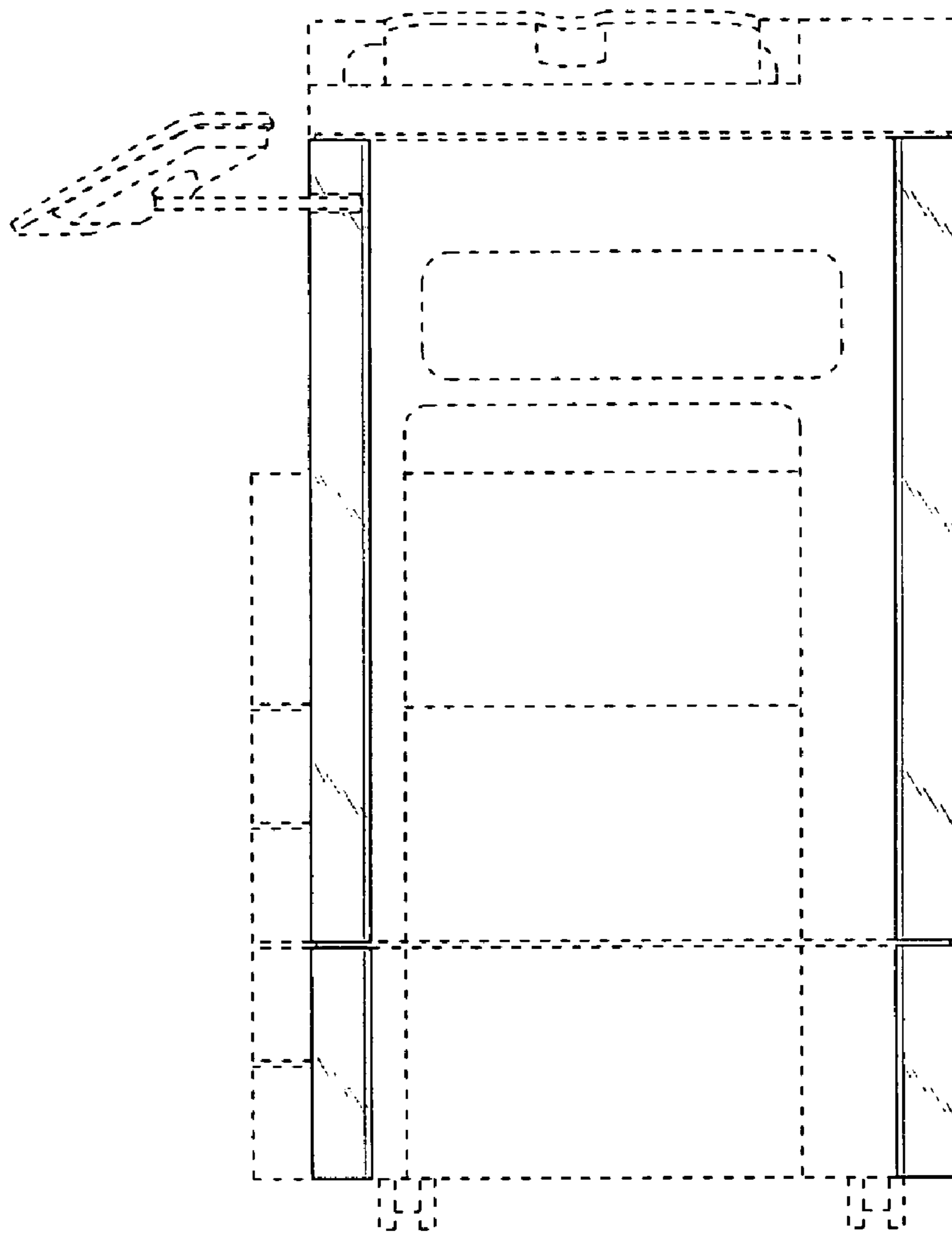


Fig. 10

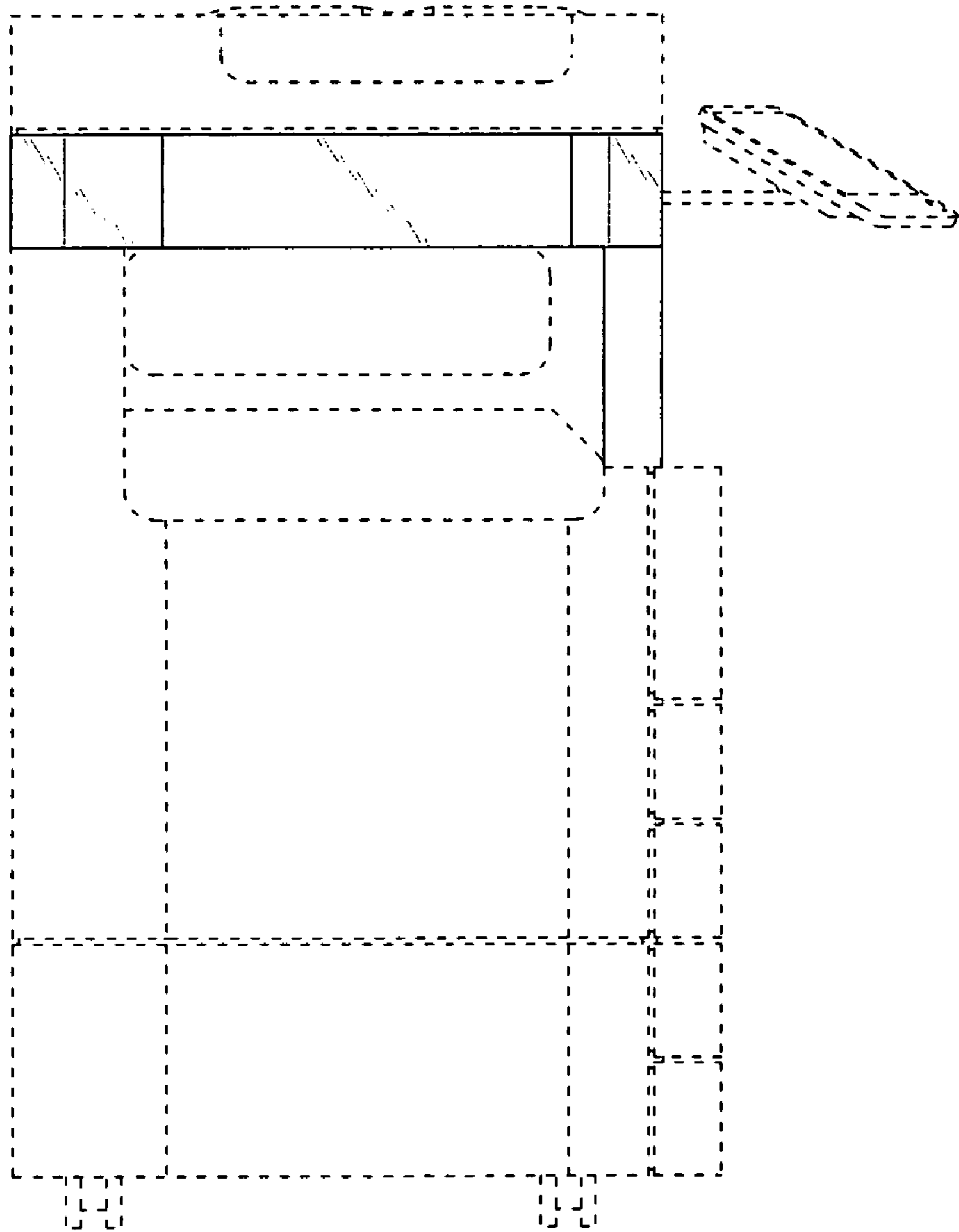


Fig. 11

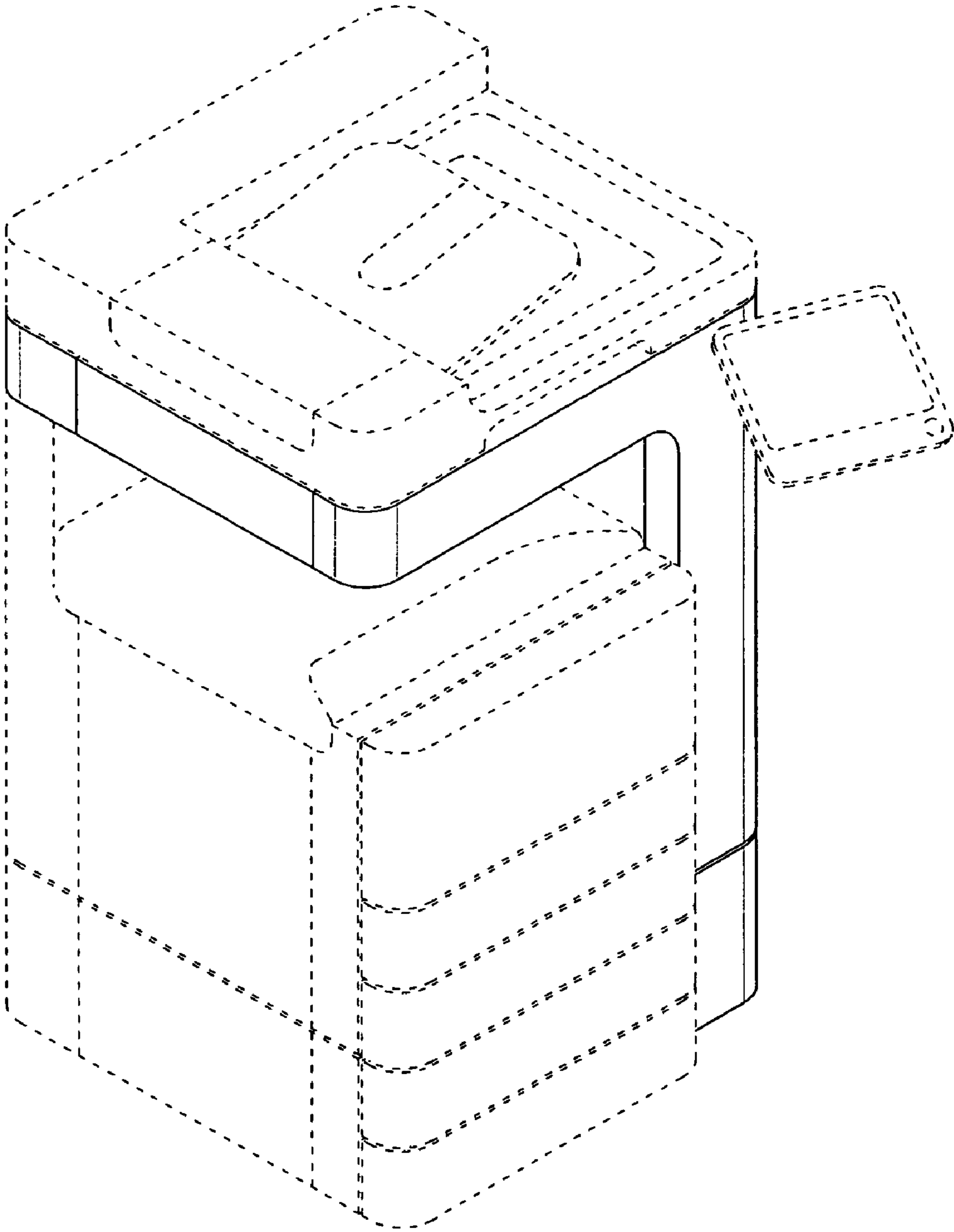


Fig. 12

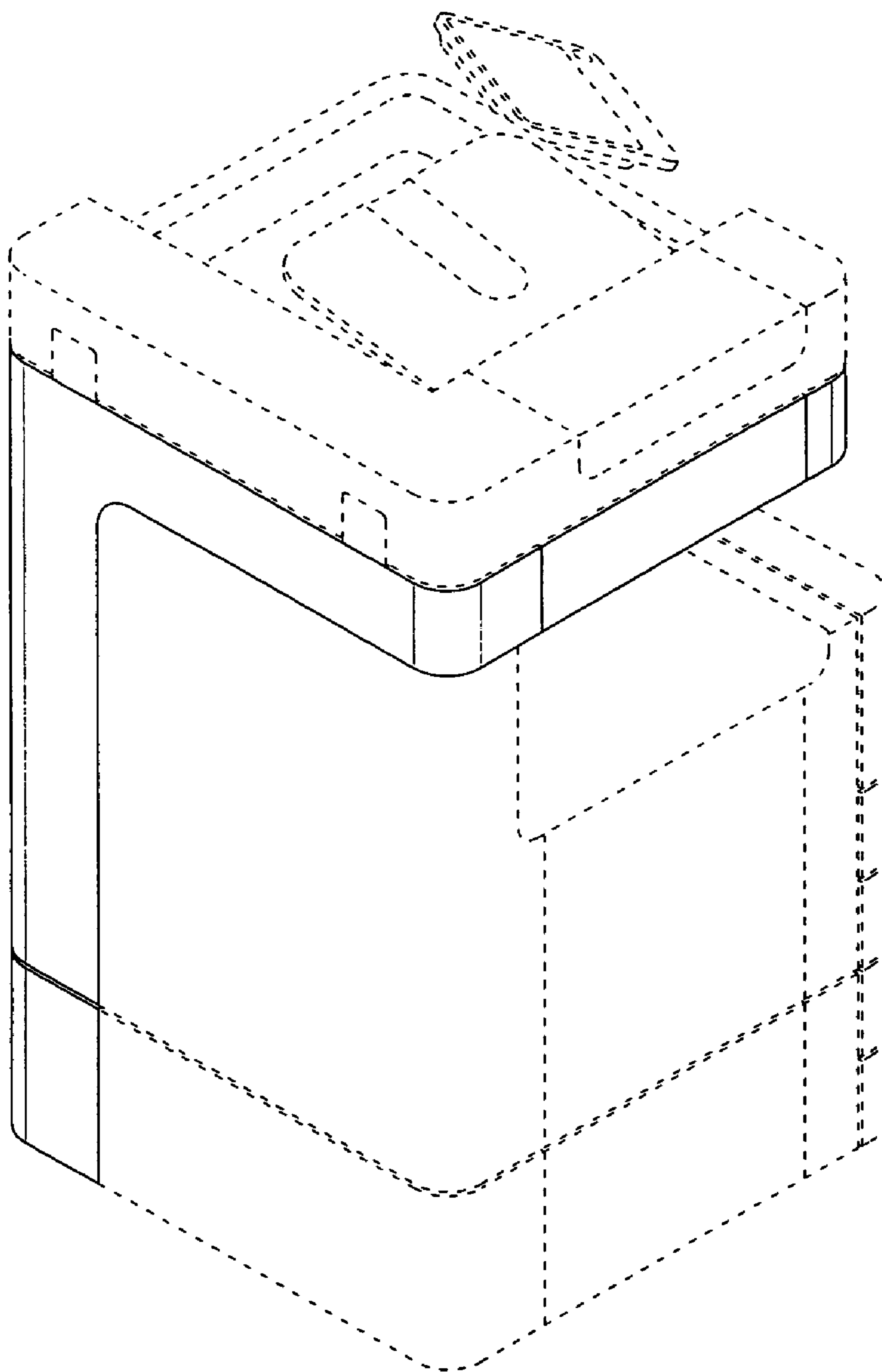


Fig. 13

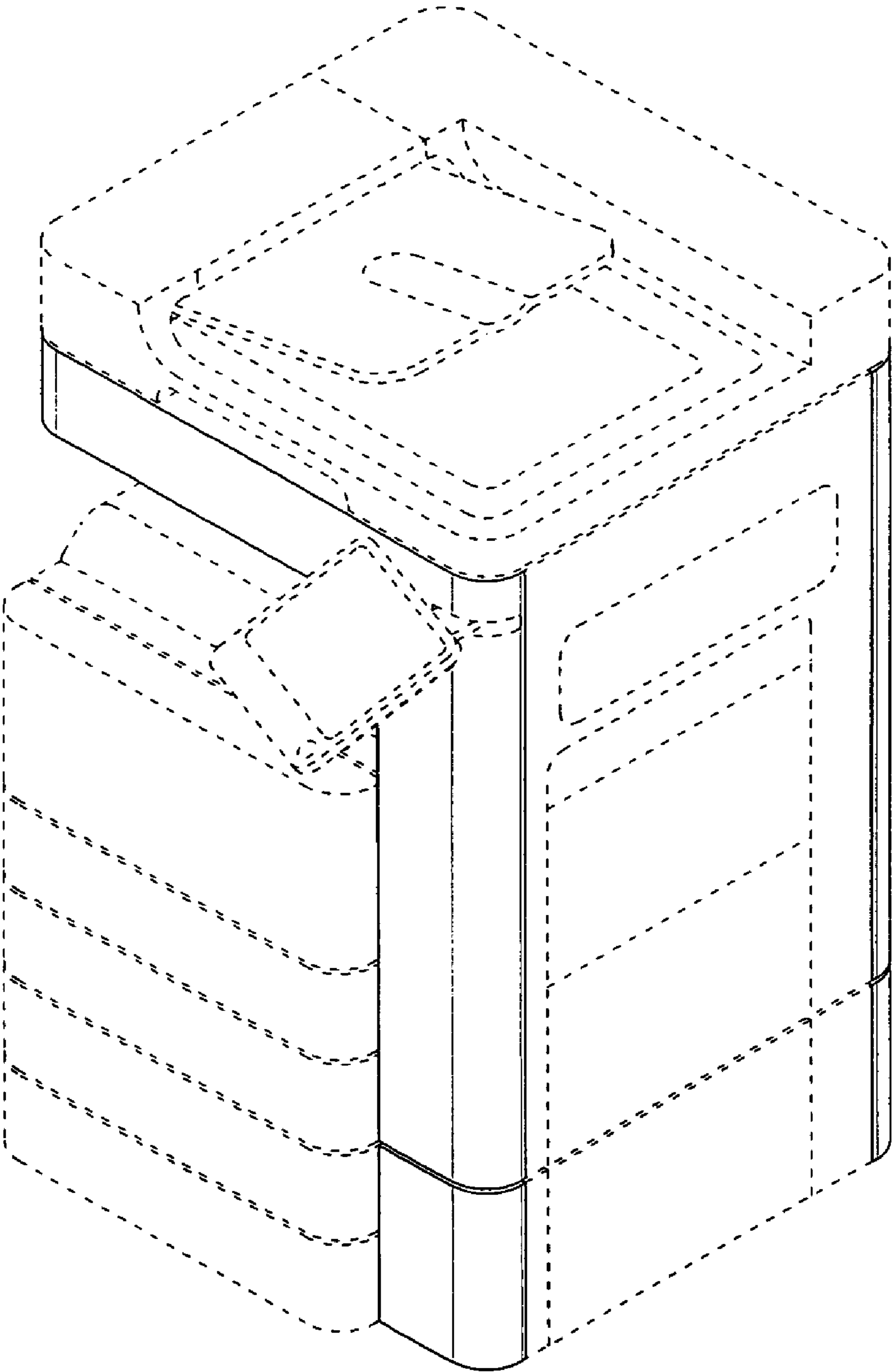


Fig. 14

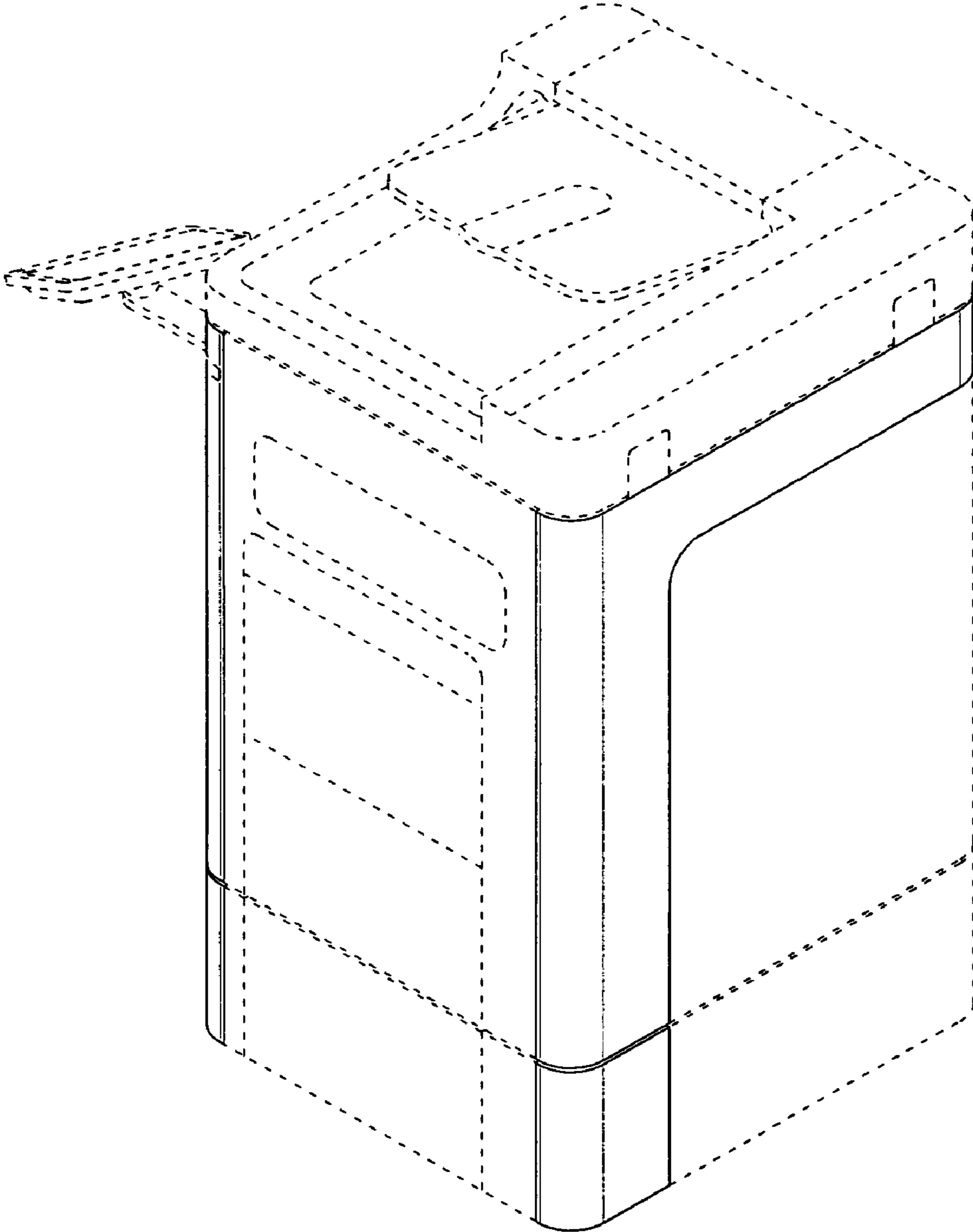


Fig. 15

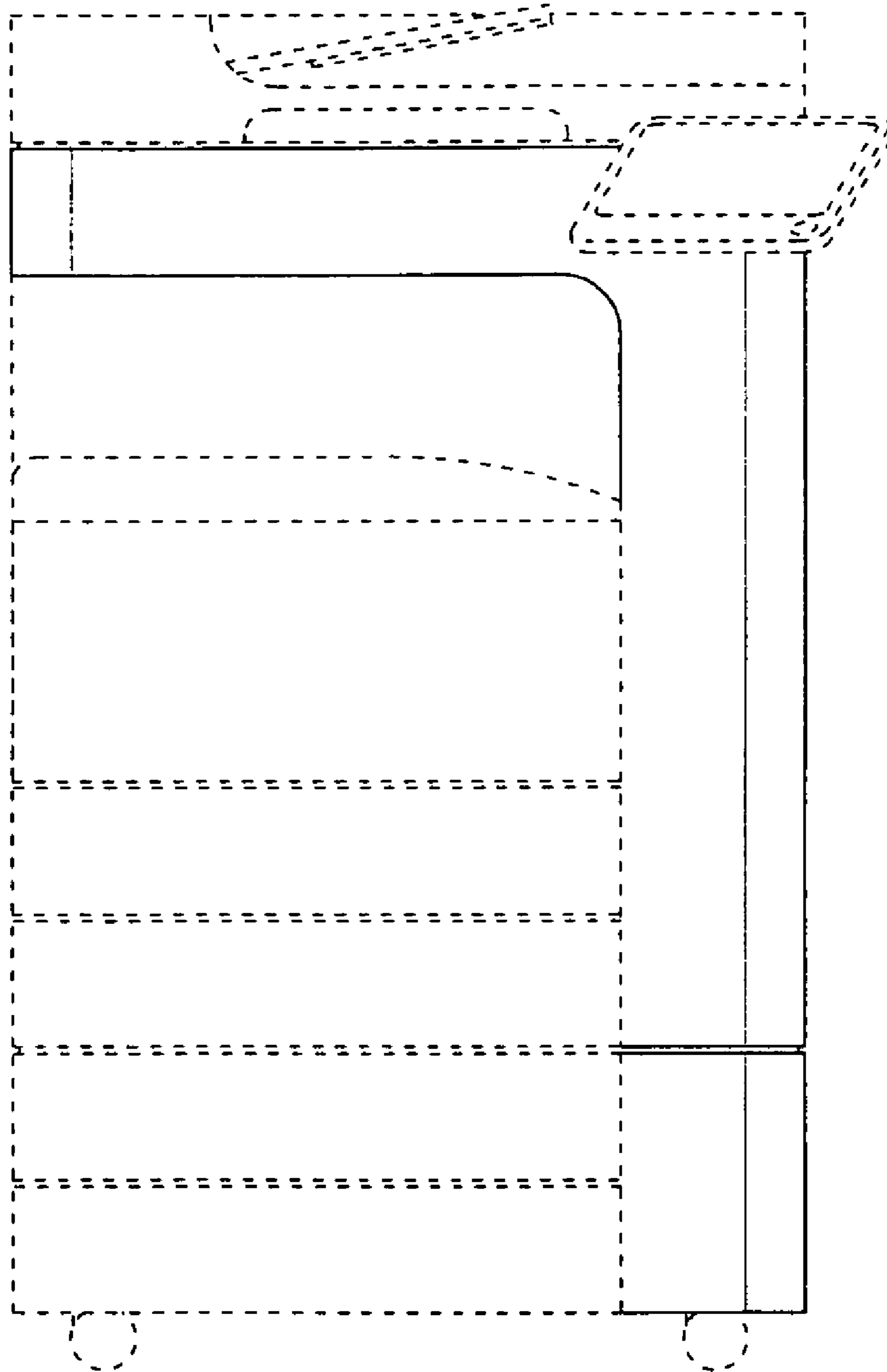




Fig. 16

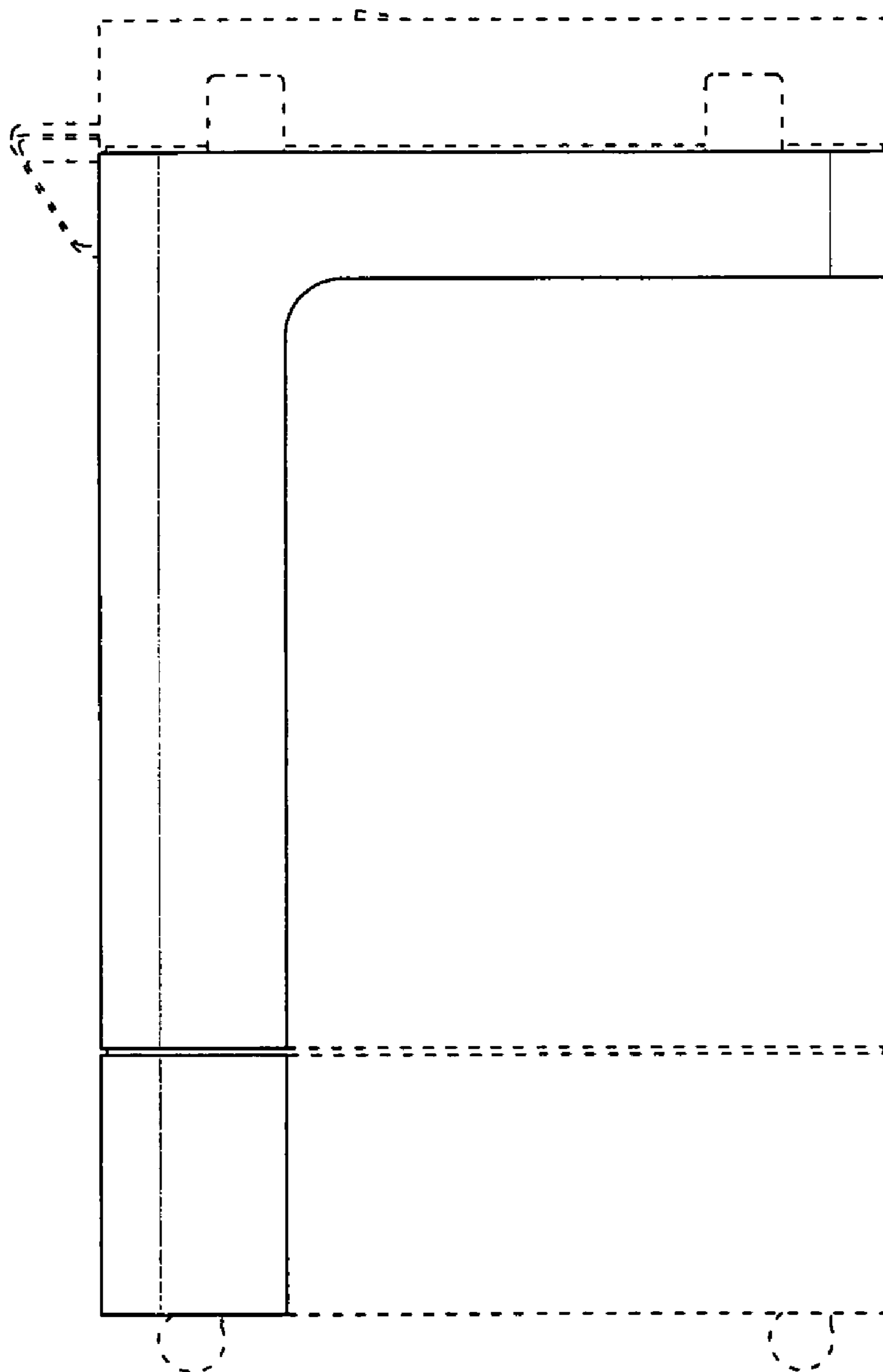


Fig. 17

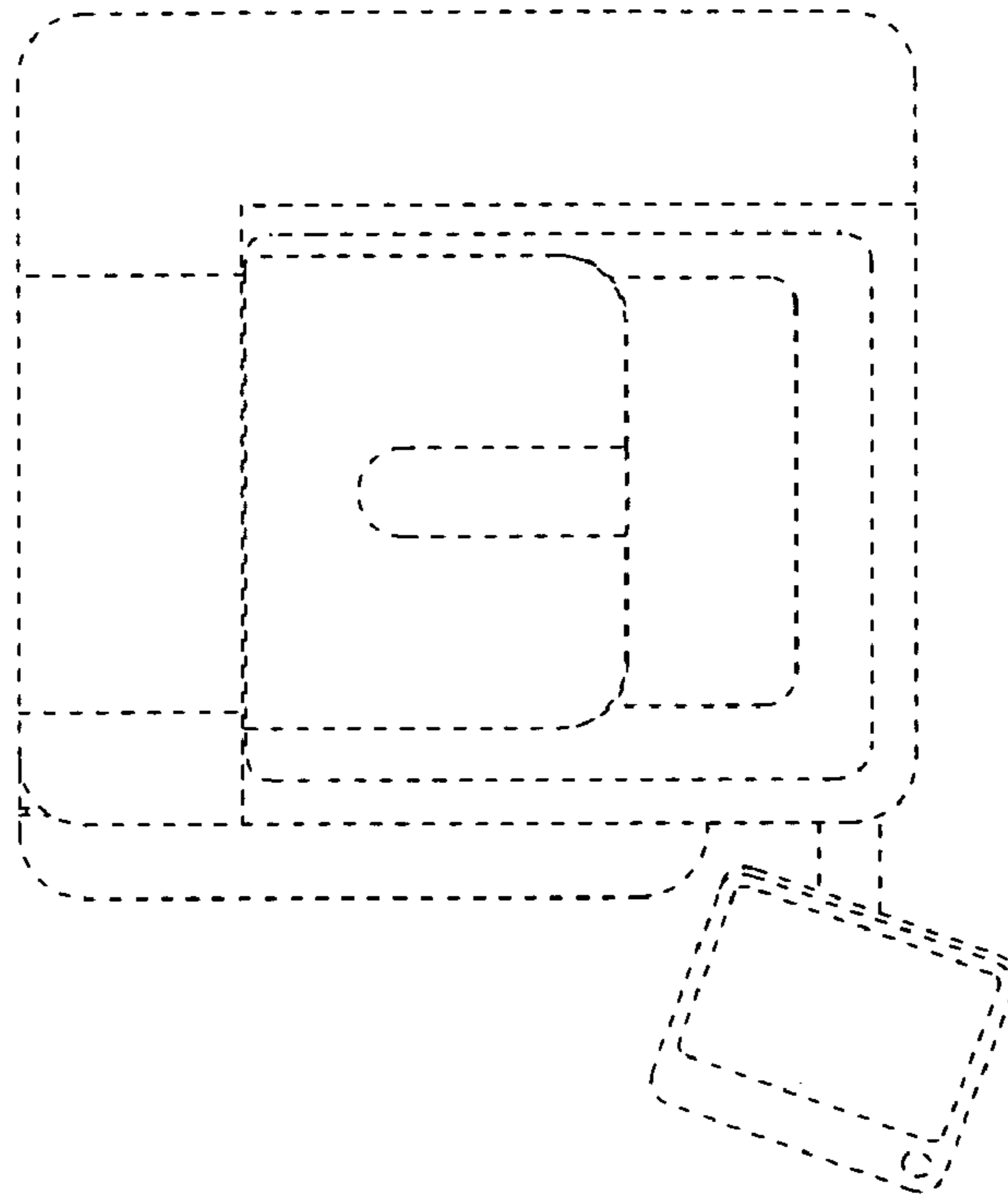


Fig. 18

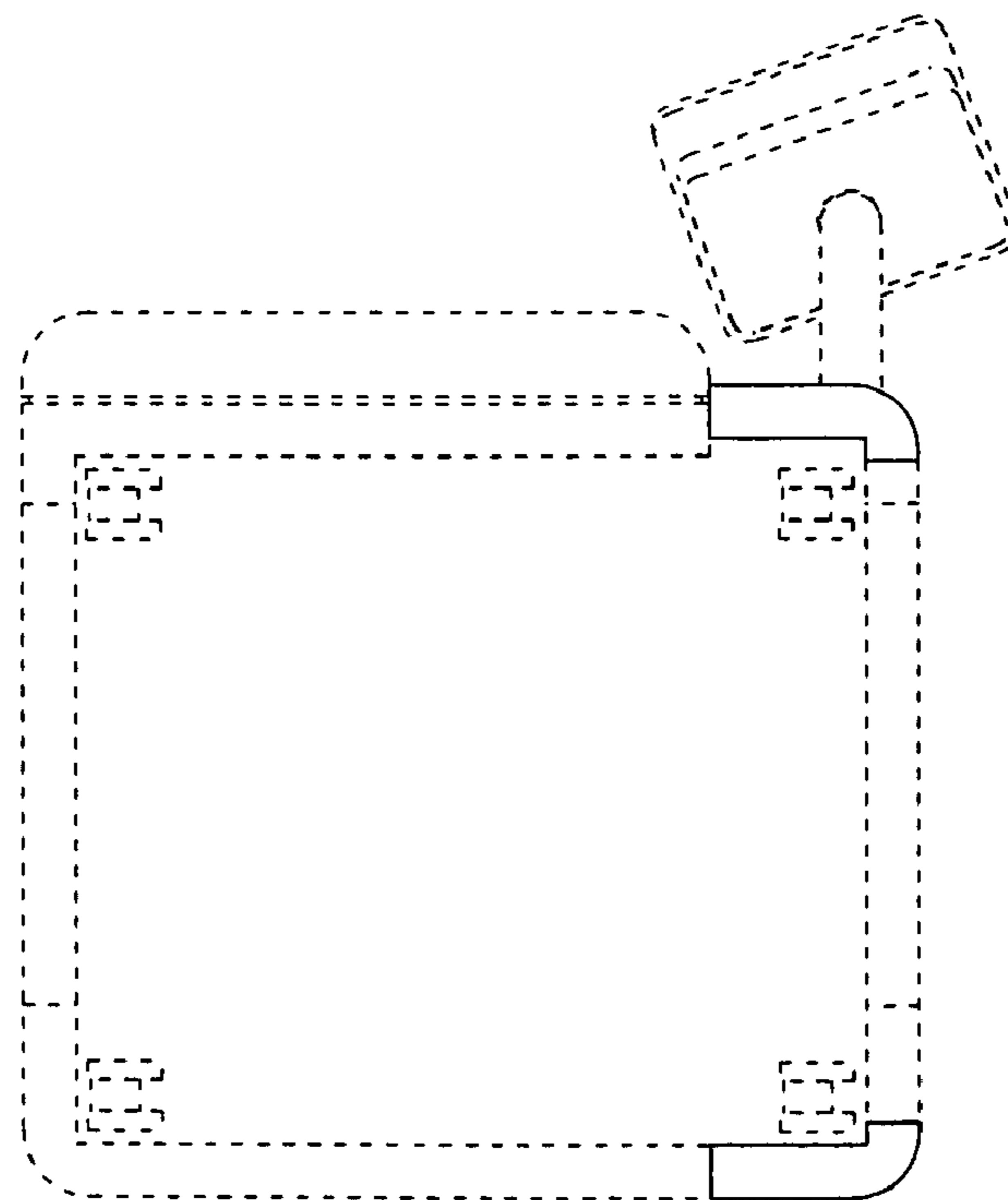


Fig. 19

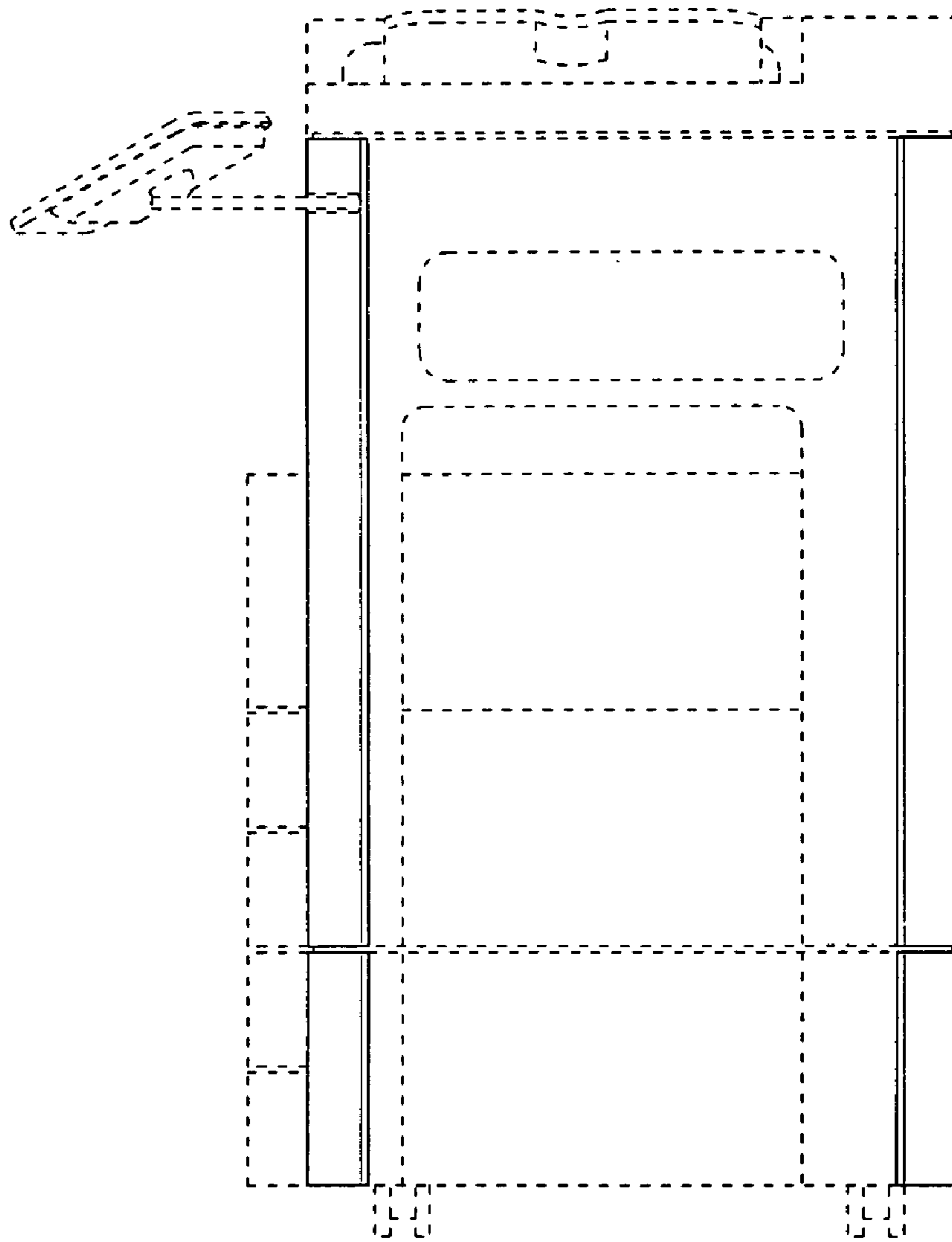


Fig. 20

