



US00D578153S

(12) **United States Design Patent**  
**Huff**

(10) **Patent No.:** **US D578,153 S**

(45) **Date of Patent:** **\*\* Oct. 7, 2008**

(54) **POCKET CALCULATORS**

(75) Inventor: **Matthias Huff**, Altdorf (DE)

(73) Assignee: **Macma Werbeartikel OHG**,  
Nuremberg (DE)

(\*\*) Term: **14 Years**

(21) Appl. No.: **29/256,596**

(22) Filed: **Mar. 23, 2006**

(51) **LOC (8) Cl.** ..... **18-01**

(52) **U.S. Cl.** ..... **D18/7**

(58) **Field of Classification Search** ..... D14/191,  
D14/218, 341-347, 383, 387, 388; D18/1,  
D18/2, 4.4, 4.5, 6-12, 12.1, 12.2, 12.3; D21/512;  
235/58 R, 59 A, 59 BC, 59 BD, 59 BE, 59 BF,  
235/59 BG, 59 BH, 39 CP, 59 T, 59 TP, 61 R;  
708/100, 105, 130

See application file for complete search history.

(56) **References Cited**

**U.S. PATENT DOCUMENTS**

D294,152 S \* 2/1988 Kuo ..... D18/7  
D398,627 S \* 9/1998 Leung ..... D18/7

D441,393 S \* 5/2001 Chan ..... D18/7  
D442,619 S \* 5/2001 Fong ..... D18/7  
D508,071 S \* 8/2005 Wang ..... D18/7  
D529,535 S \* 10/2006 Suzuki ..... D18/7

\* cited by examiner

*Primary Examiner*—Caron D. Veynar

*Assistant Examiner*—Garth Rademaker

(74) *Attorney, Agent, or Firm*—Browdy and Neimark

(57) **CLAIM**

The ornamental design for a pocket calculator, as shown and described.

**DESCRIPTION**

FIG. 1 is a perspective view of a pocket calculator, showing my new design;

FIG. 2 is a right side elevational view thereof;

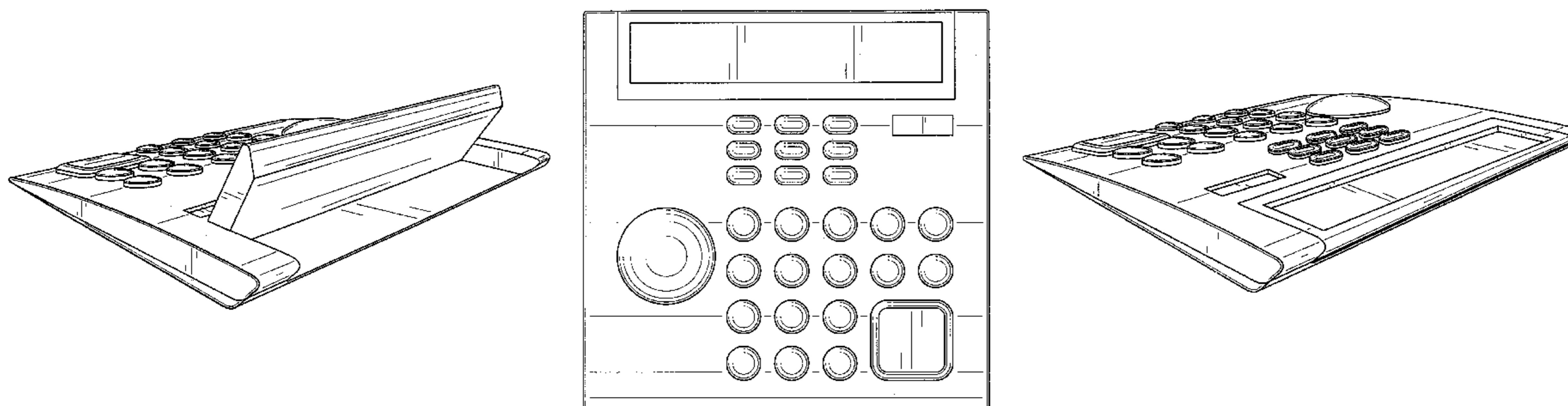
FIG. 3 is a top plan view thereof;

FIG. 4 is a right side elevational view thereof, shown in an alternate position of use;

FIG. 5 is a top view thereof; and,

FIG. 6 is a perspective view thereof.

**1 Claim, 6 Drawing Sheets**



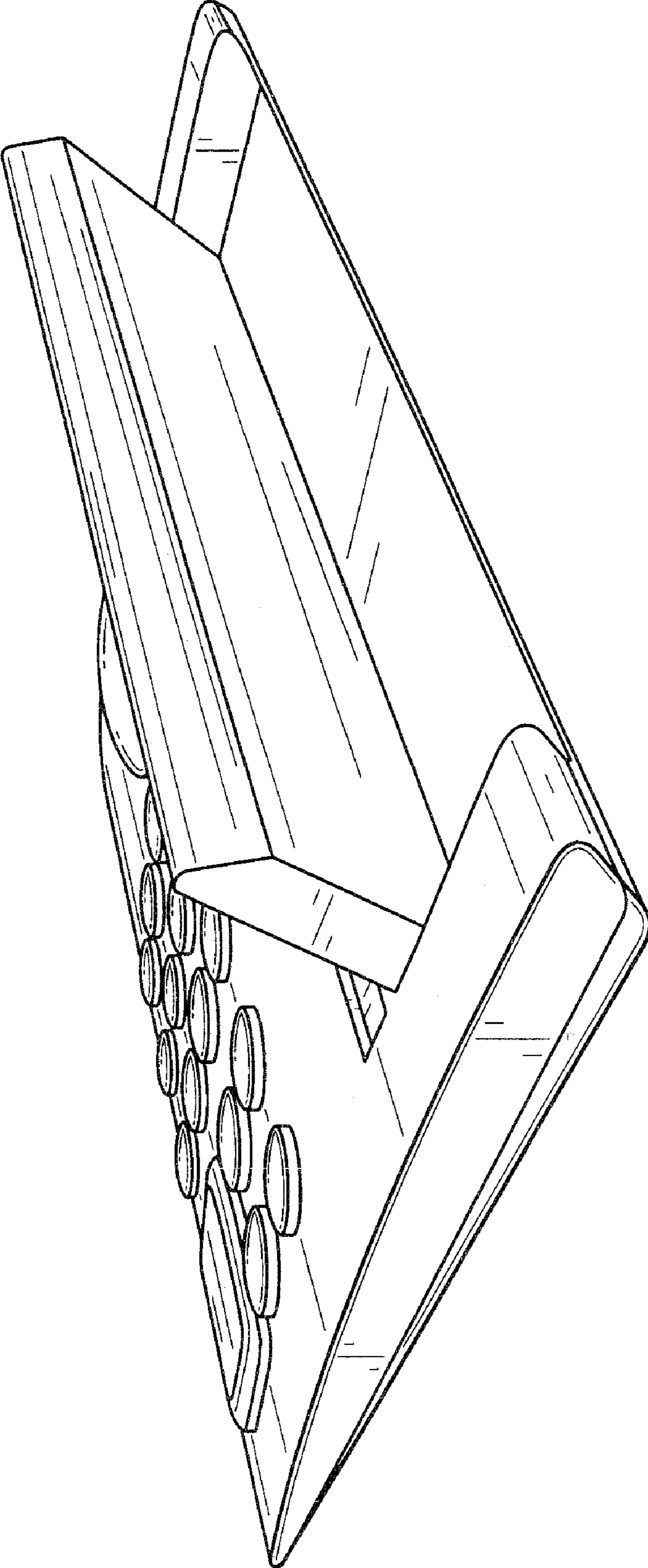


FIG. 1

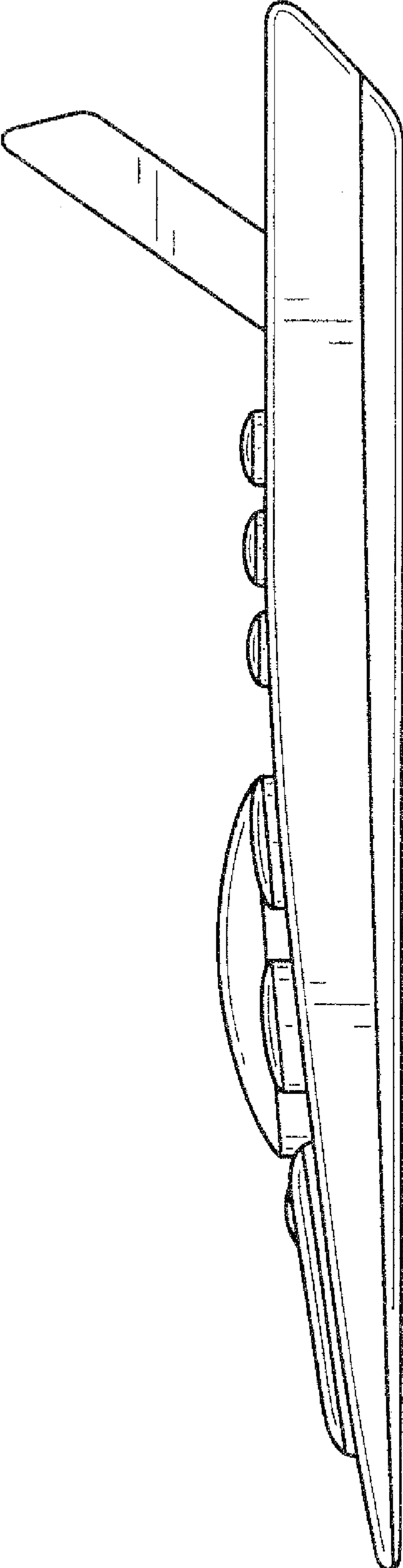


FIG. 2

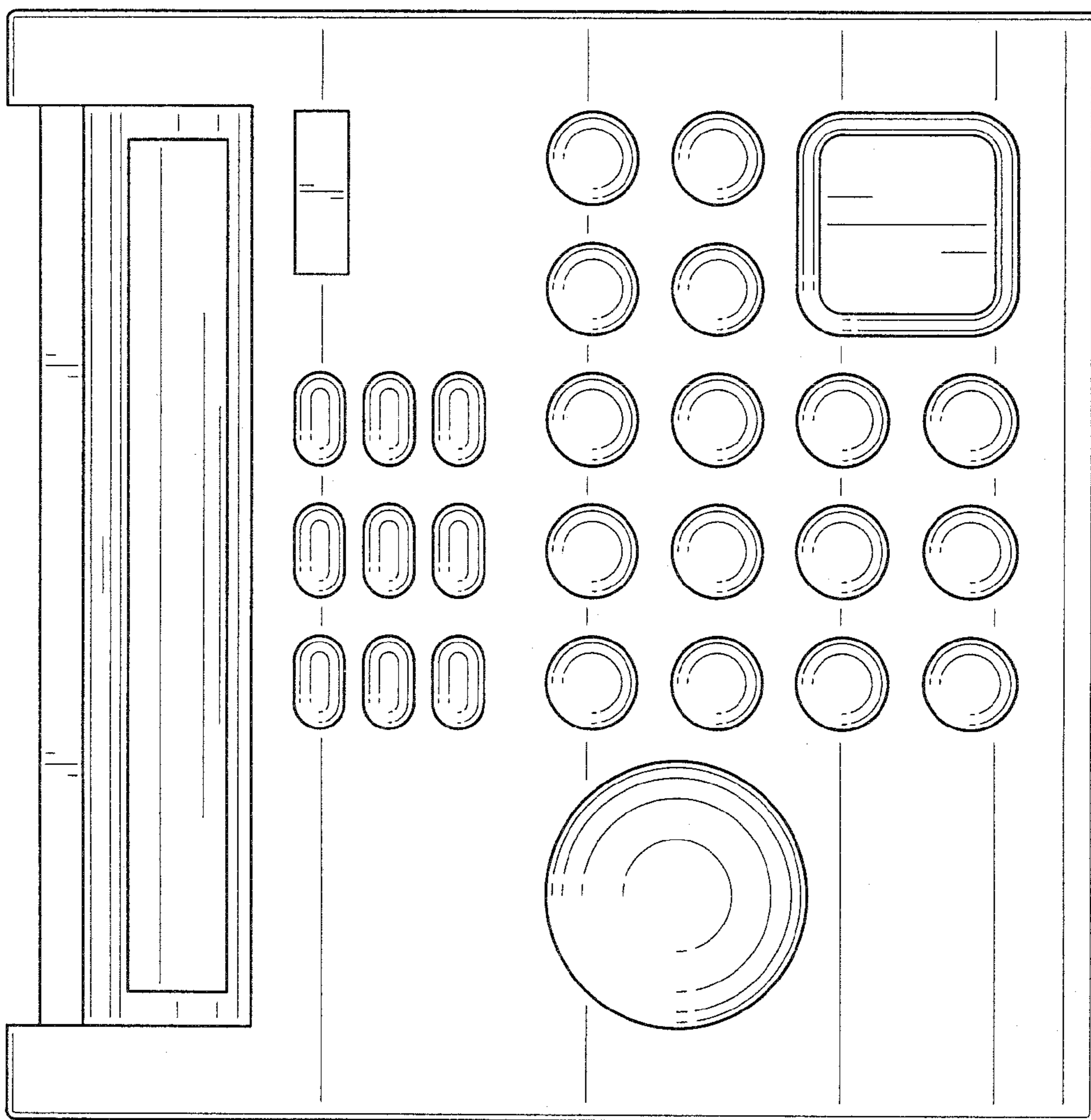


FIG. 3

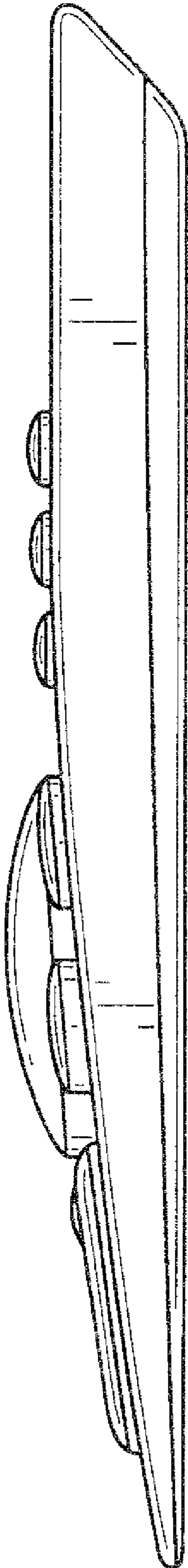


FIG. 4

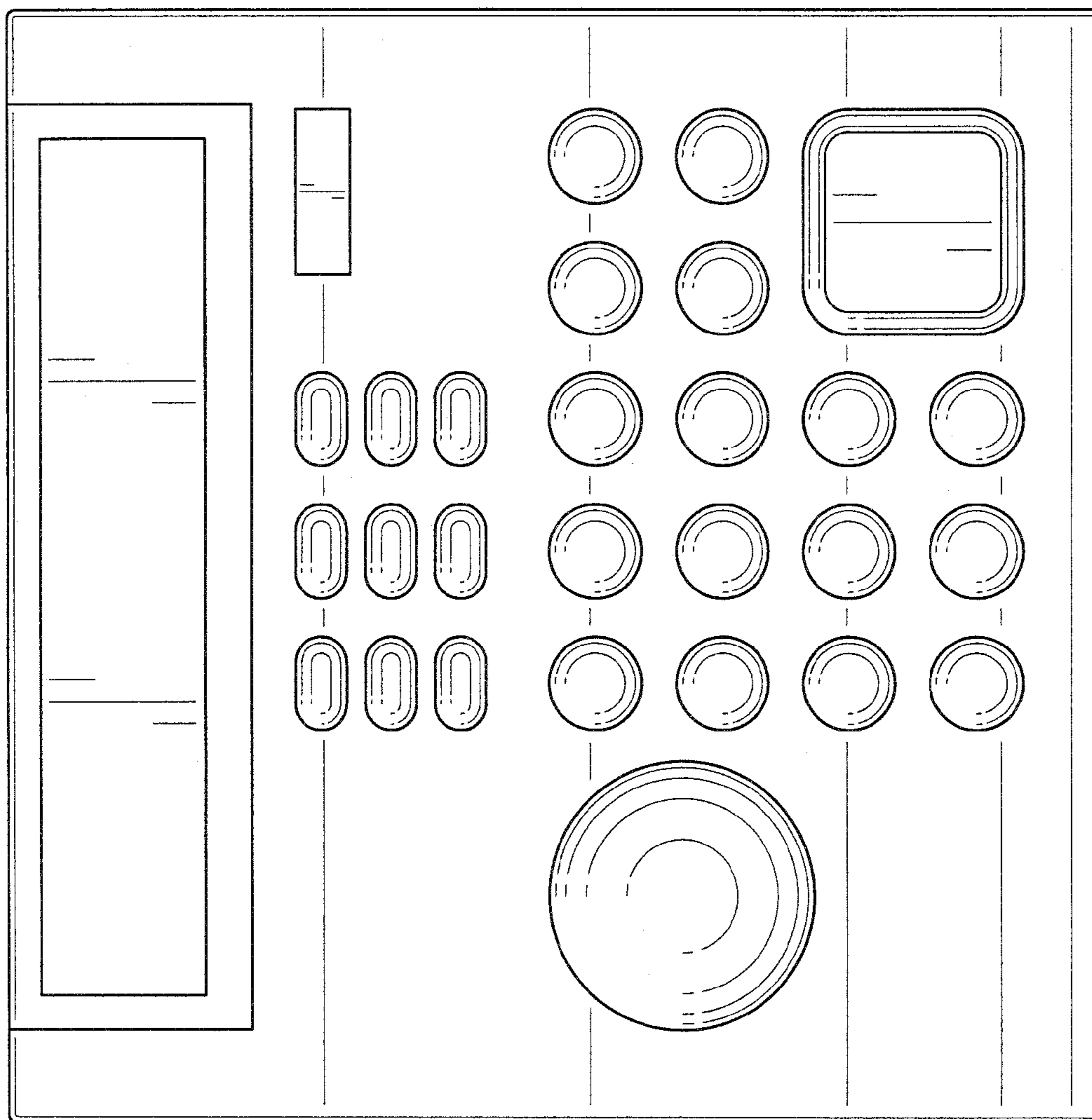


FIG. 5

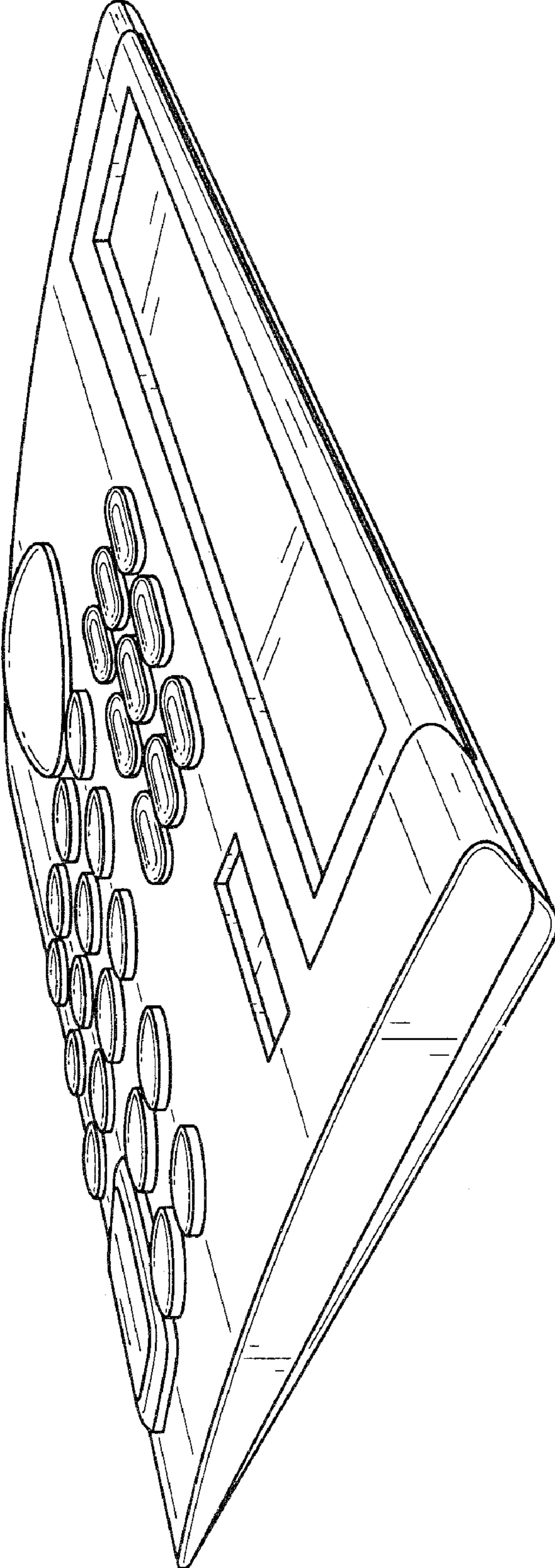


FIG. 6