



US00D578152S

(12) **United States Design Patent**  
**Oas**

(10) **Patent No.:** **US D578,152 S**

(45) **Date of Patent:** **\*\* Oct. 7, 2008**

(54) **SUN GLASS CLIP**

(76) Inventor: **Daniel Oas**, 6250 N. Irwindale Ave.,  
Irwindale, CA (US) 91702

(\*\*) Term: **14 Years**

(21) Appl. No.: **29/307,004**

(22) Filed: **Mar. 26, 2008**

(51) **LOC (8) Cl.** ..... **16-06**

(52) **U.S. Cl.** ..... **D16/330**

(58) **Field of Classification Search** ..... D16/101,  
D16/300-330, 332-338; D14/192, 206,  
D14/223, 372; 2/426-432, 434-437, 441,  
2/447, 448; 351/61, 92, 103-111, 130; D29/109-110;  
D24/110.2  
See application file for complete search history.

(56) **References Cited**

**U.S. PATENT DOCUMENTS**

D372,040 S *	7/1996	Cowan	.....	D16/330
D445,416 S *	7/2001	Glezerman	.....	D14/223
D477,624 S *	7/2003	Ditson-Sommer	.....	D16/330
D484,905 S *	1/2004	Waters	.....	D16/330
D538,836 S *	3/2007	Moritz et al.	.....	D16/330
D542,832 S *	5/2007	Lewis et al.	.....	D16/330
D553,178 S *	10/2007	Yip et al.	.....	D16/330

D559,250 S *	1/2008	Pombo	.....	D14/372
D561,816 S *	2/2008	Jannard et al.	.....	D16/330
D562,876 S *	2/2008	Beate et al.	.....	D16/330
D564,573 S *	3/2008	Kim et al.	.....	D16/330

\* cited by examiner

*Primary Examiner*—T. Chase Nelson

*Assistant Examiner*—Barbara B Lohr

(74) *Attorney, Agent, or Firm*—Edgar W. Averill, Jr.; Kenneth L. Green

(57) **CLAIM**

The ornamental design for a sun glass clip, as shown and described.

**DESCRIPTION**

FIG. 1 is a perspective view showing the top, front and left side of the sun glass clip showing my new design.

FIG. 2 is a top view thereof.

FIG. 3 is a front view thereof.

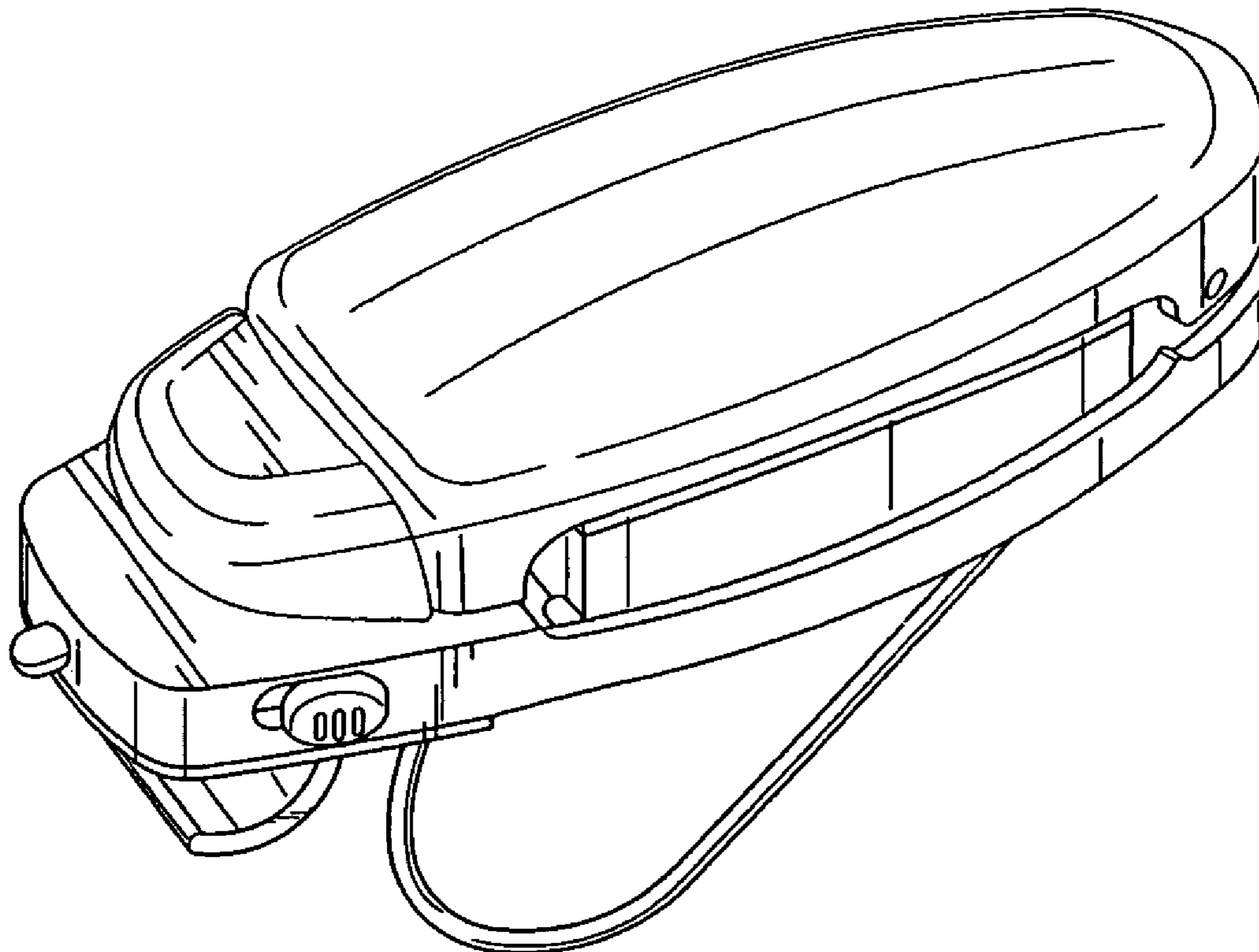
FIG. 4 is a back side view thereof

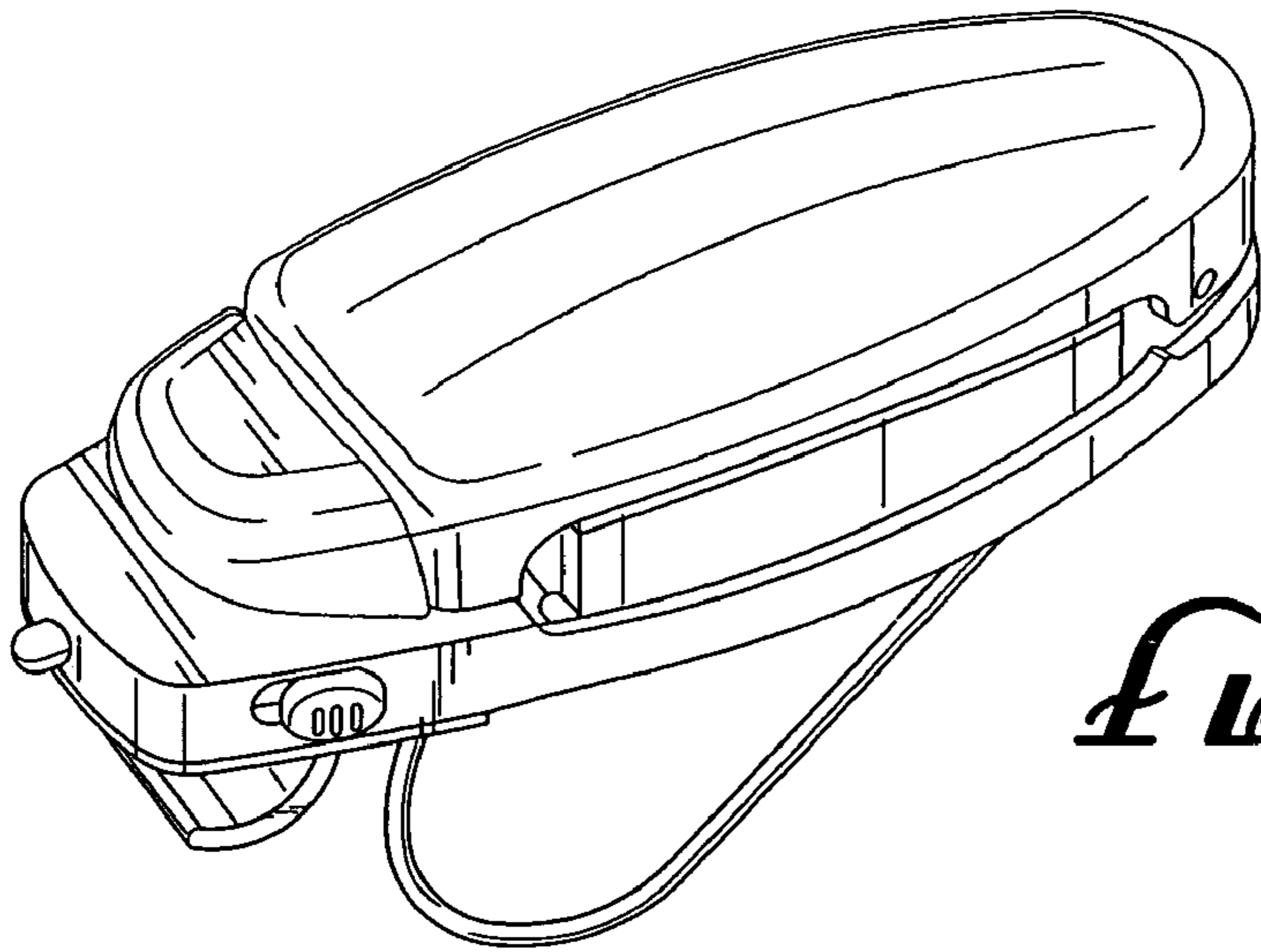
FIG. 5 is a left side view thereof

FIG. 6 is a right view thereof; and,

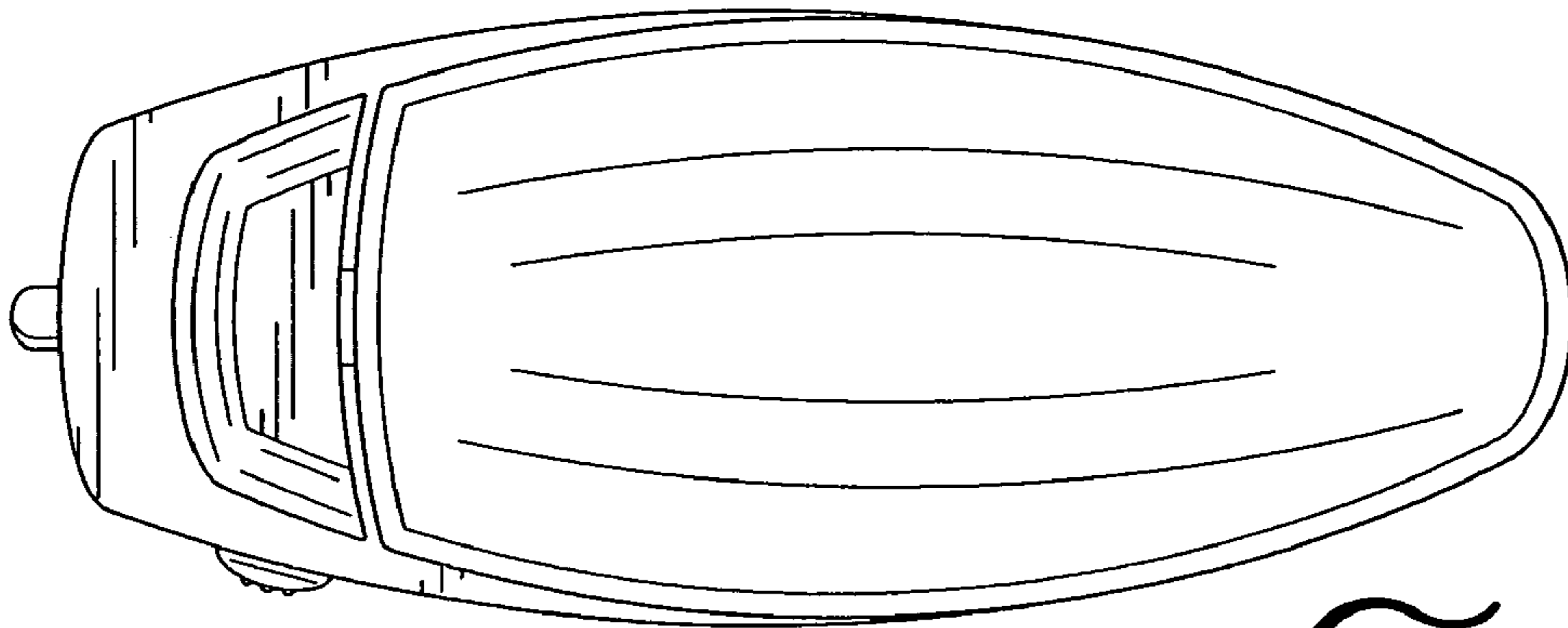
FIG. 7 is a bottom view thereof.

**1 Claim, 2 Drawing Sheets**

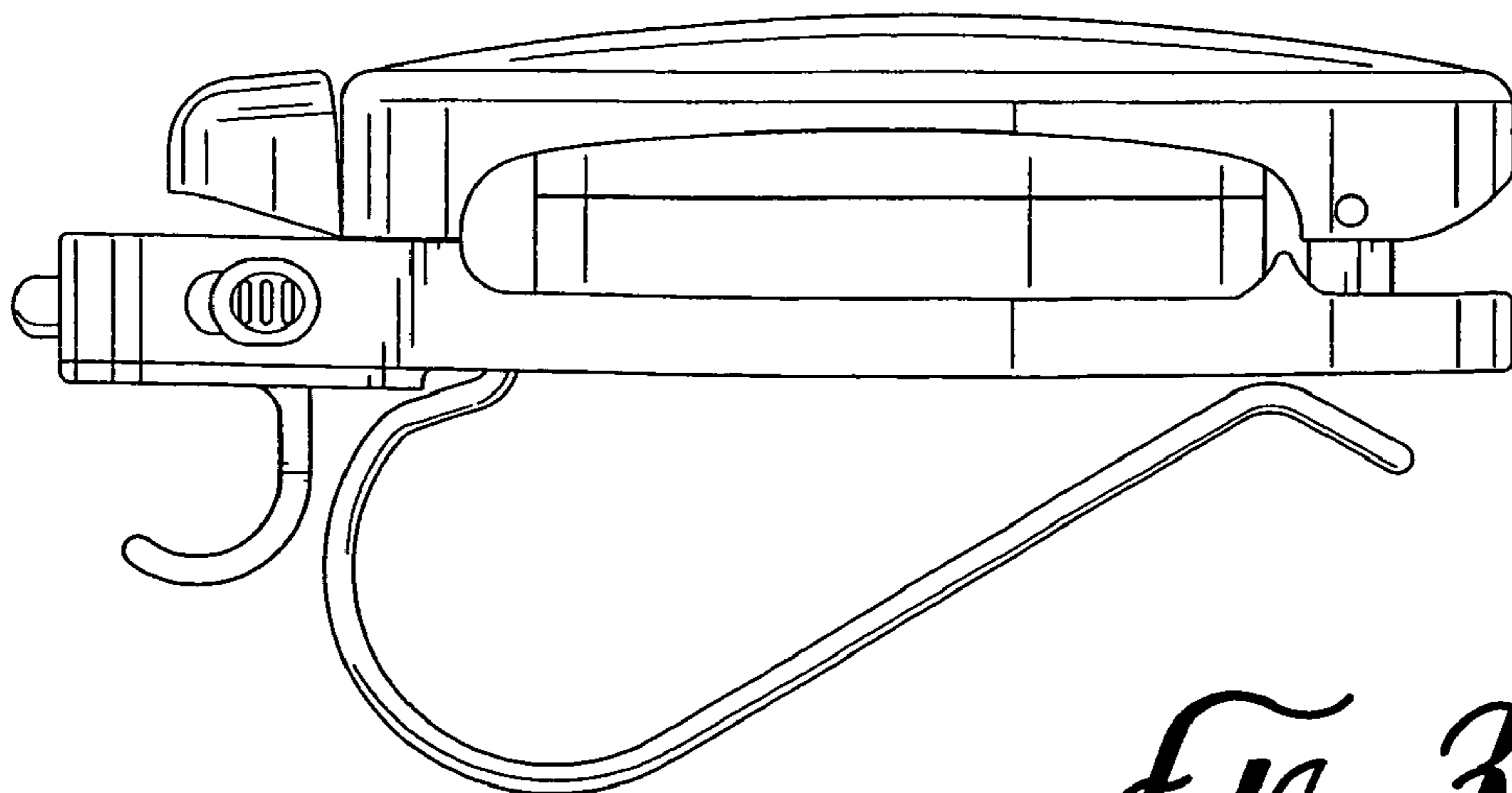




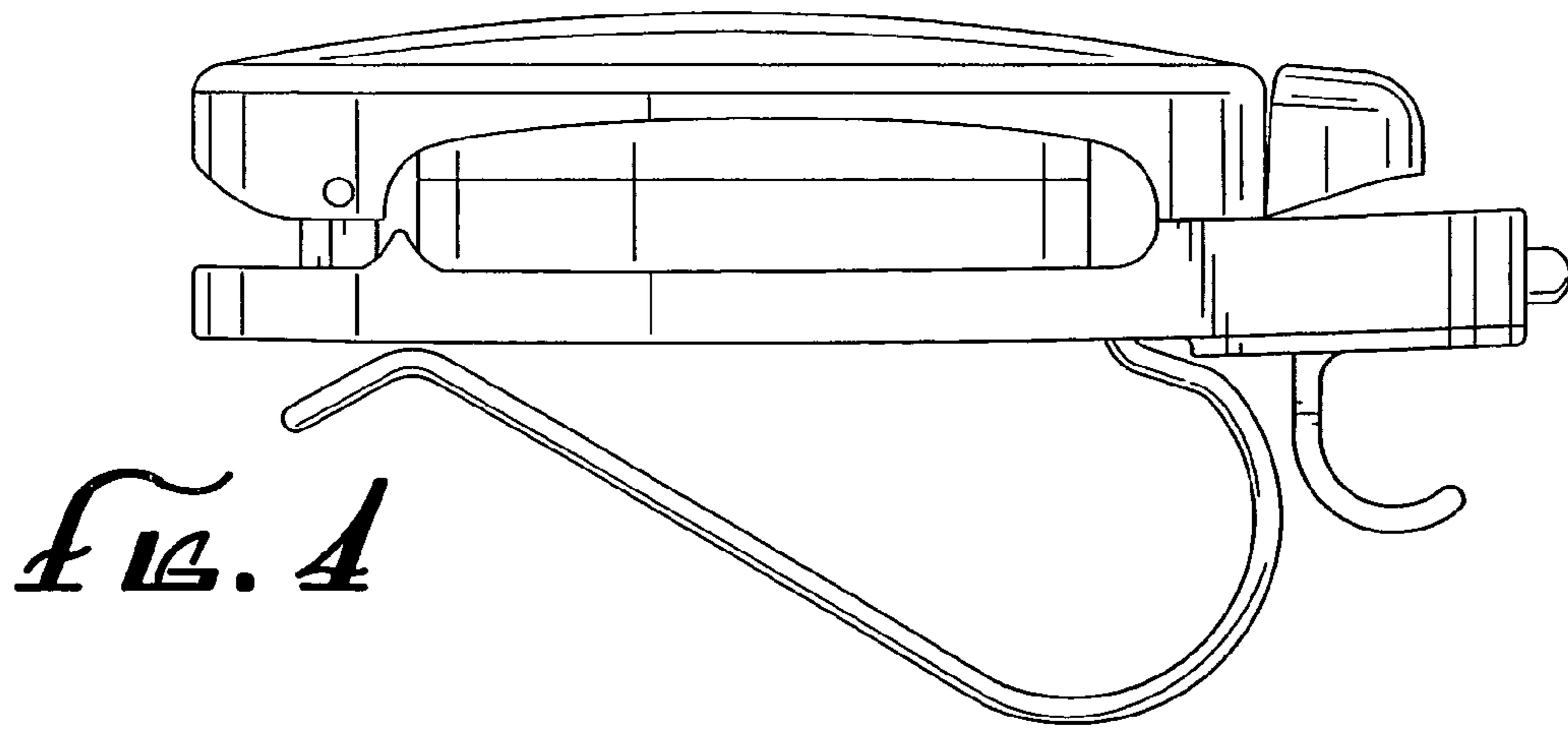
*FIG. 1*



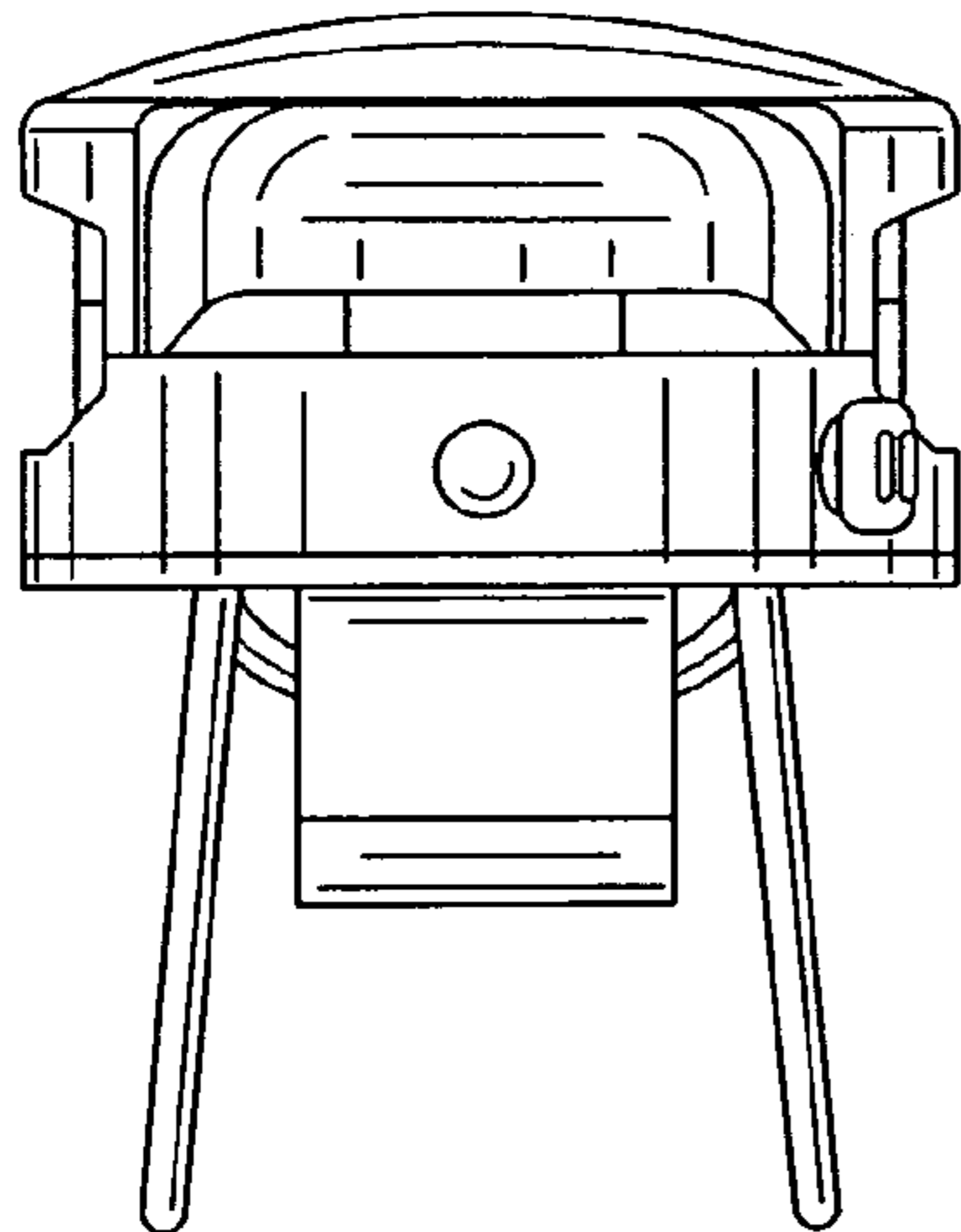
*FIG. 2*



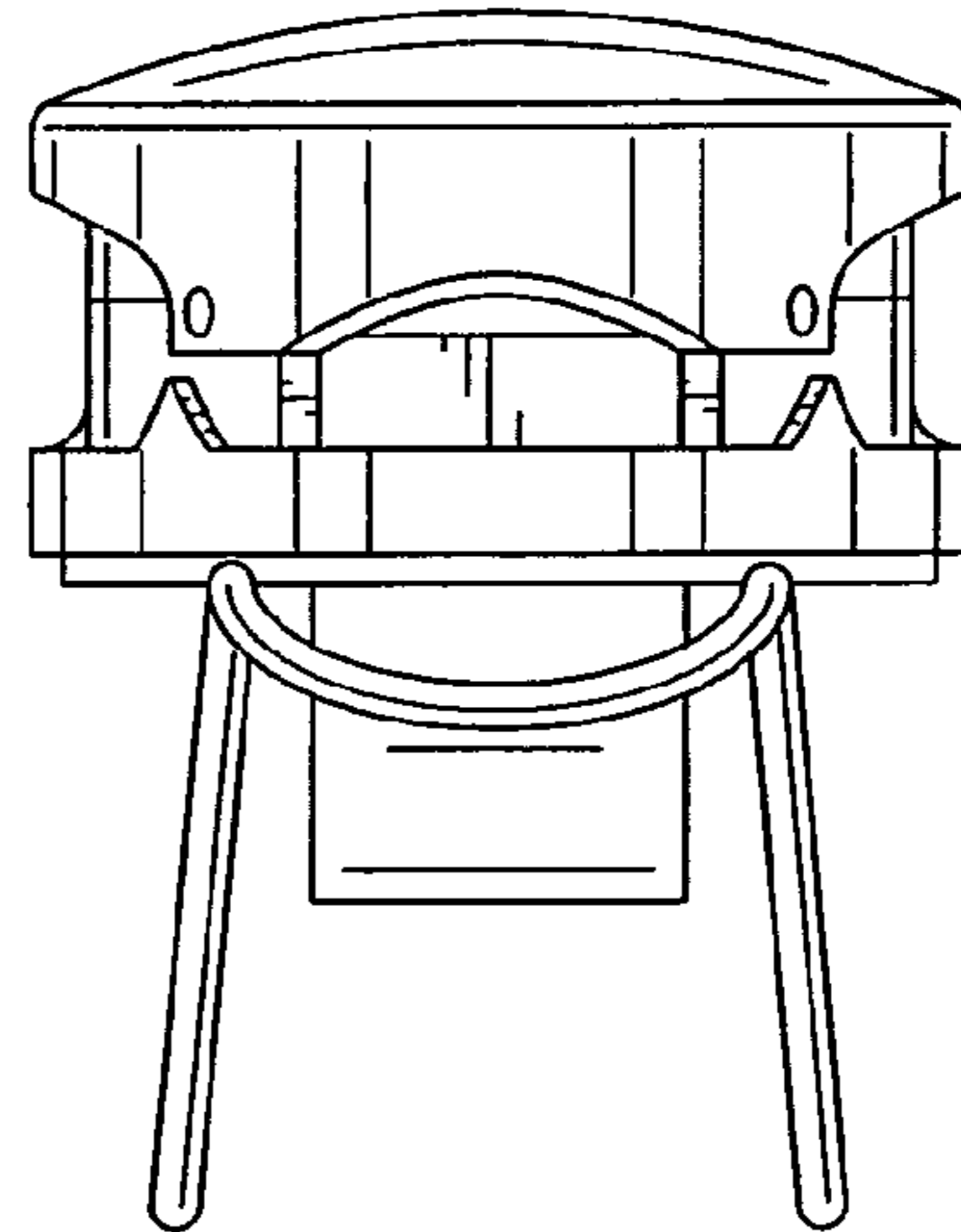
*FIG. 3*



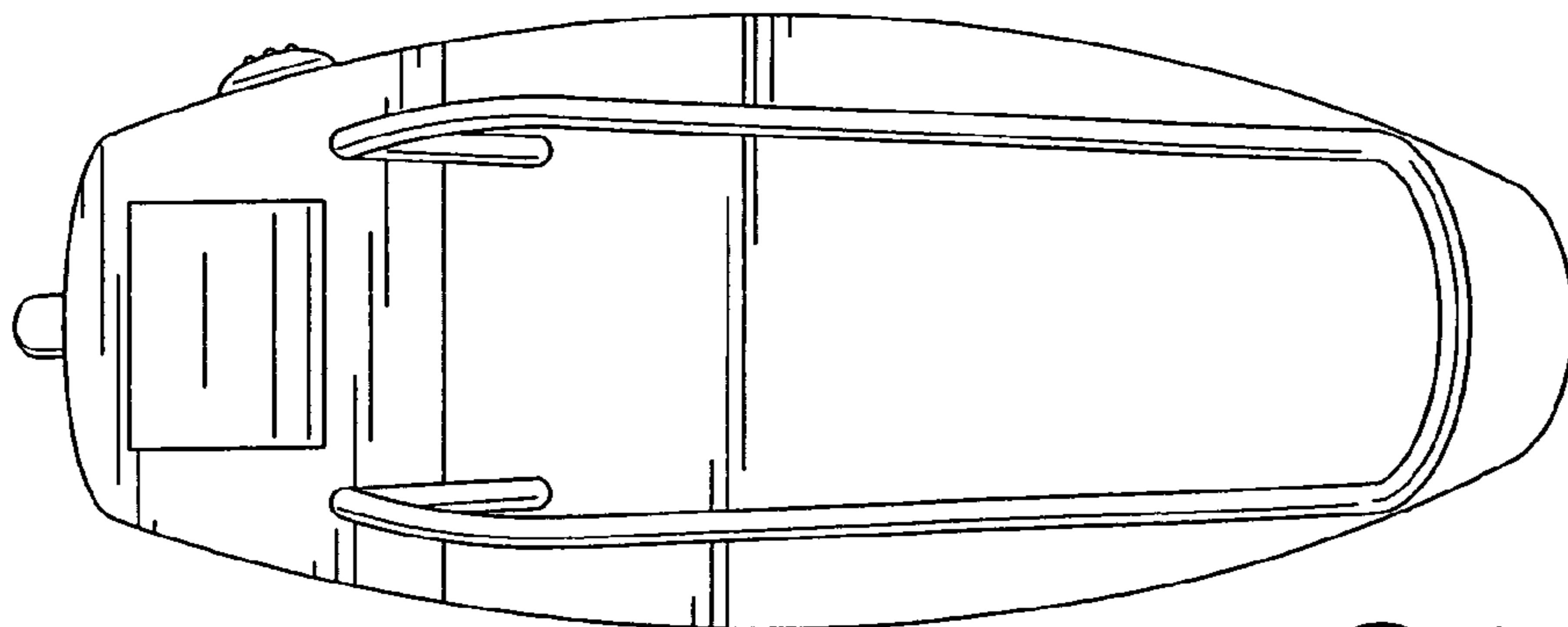
*FIG. 4*



*FIG. 5*



*FIG. 6*



*FIG. 7*