



US00D578151S

(12) **United States Design Patent**  
**Fong**

(10) **Patent No.:** **US D578,151 S**  
(45) **Date of Patent:** **\*\* Oct. 7, 2008**

(54) **PHOTOGRAPHIC DIFFUSER**  
(75) Inventor: **Gary M. Fong**, Seattle, WA (US)  
(73) Assignee: **Gary Fong, Inc.**, Seattle, WA (US)  
(\*\*) Term: **14 Years**  
(21) Appl. No.: **29/273,023**  
(22) Filed: **Feb. 23, 2007**

4,610,525 A 9/1986 Yoshida et al.  
4,633,374 A 12/1986 Waltz et al.  
4,669,031 A 5/1987 Regester  
4,710,012 A 12/1987 Yamada  
4,757,425 A 7/1988 Waltz  
4,807,089 A 2/1989 Nussli  
D312,471 S \* 11/1990 Couch ..... D16/239  
5,095,325 A 3/1992 Carstens  
5,154,503 A 10/1992 Sternsher  
D342,273 S \* 12/1993 Couch ..... D16/237  
5,311,409 A \* 5/1994 King ..... 362/320

(Continued)

(51) **LOC (8) Cl.** ..... **16-05**  
(52) **U.S. Cl.** ..... **D16/237; D26/118**  
(58) **Field of Classification Search** ..... D16/237,  
D16/239, 240; D26/118, 125, 128; 362/3,  
362/16-18, 320; 396/176

FOREIGN PATENT DOCUMENTS

JP 10260457 A 9/1998

OTHER PUBLICATIONS

Internet: <http://www.lumiquest.com/>; LumiQuest The World Leader in Flash Accessories for Digital & Film; ©2005 LumiQuest; 1 sheet.

See application file for complete search history.

(Continued)

(56) **References Cited**

U.S. PATENT DOCUMENTS

756,194 A 3/1904 Zalinski  
1,769,993 A 7/1930 Grillinder  
1,874,086 A 8/1932 Dickson  
2,235,864 A 3/1941 Brennan et al.  
2,747,076 A 5/1956 Eloranta  
2,879,377 A 3/1959 Layng  
3,191,022 A 6/1965 Wince  
3,855,602 A 12/1974 Hoos  
4,066,885 A 1/1978 Weinberg  
4,075,472 A 2/1978 Higuchi  
4,084,168 A 4/1978 Pizzuti et al.  
4,091,402 A 5/1978 Siegel  
4,091,444 A 5/1978 Mori  
4,109,301 A 8/1978 Wakimura  
4,146,918 A 3/1979 Tureck  
4,175,279 A 11/1979 Asaki  
4,190,880 A 2/1980 Esaki  
4,251,854 A 2/1981 Kaneko et al.  
4,276,579 A 6/1981 Yako  
4,333,127 A 6/1982 Alkema et al.  
4,446,506 A \* 5/1984 Larson ..... 362/17  
4,479,173 A 10/1984 Rumpakis  
4,539,624 A 9/1985 Stone  
4,562,521 A 12/1985 Noguchi  
4,594,645 A 6/1986 Terashita

*Primary Examiner*—Adir Aronovich  
(74) *Attorney, Agent, or Firm*—Christie, Parker & Hale, LLP.

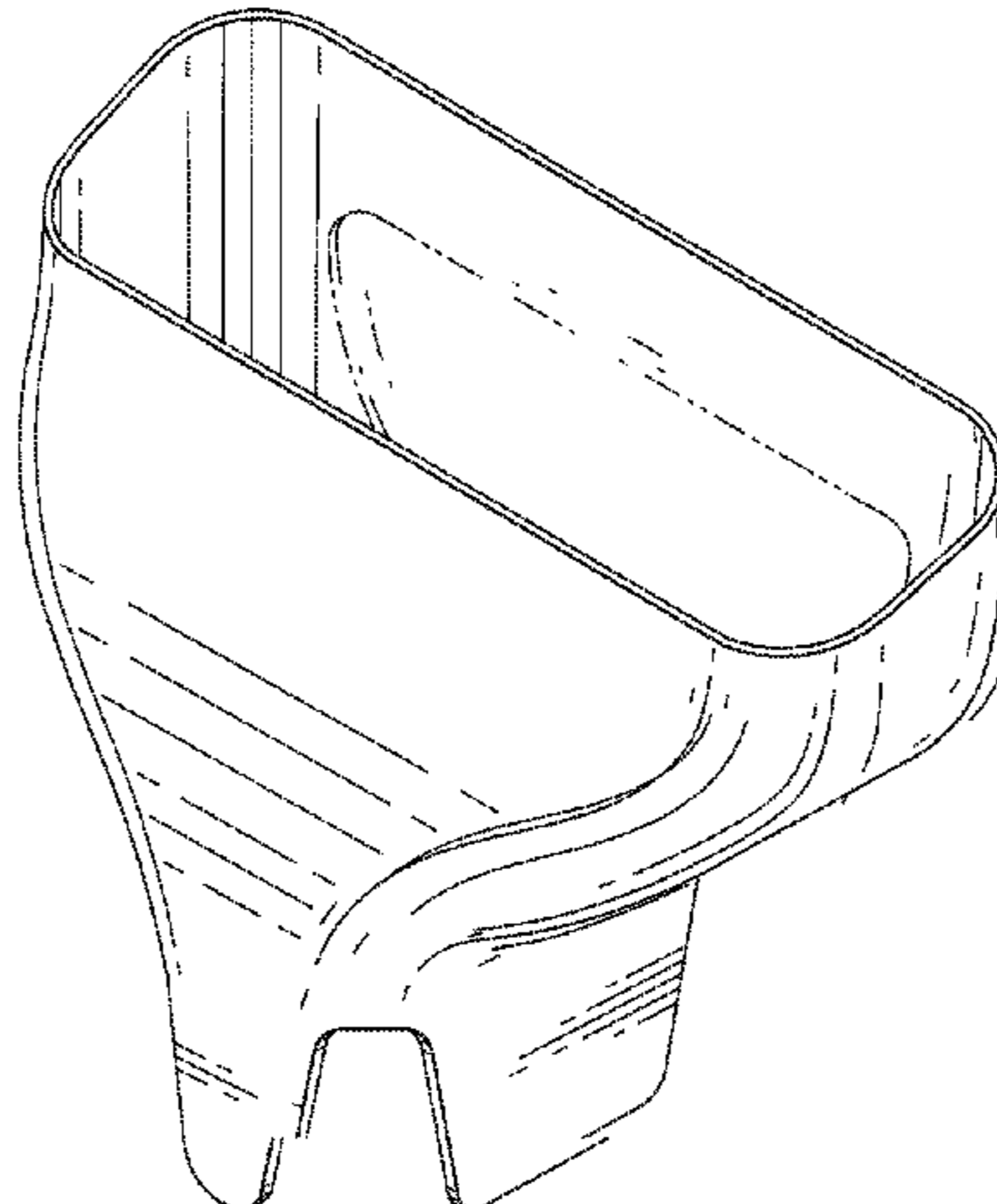
(57) **CLAIM**

The ornamental design for a photographic diffuser, as shown and described.

**DESCRIPTION**

FIG. 1 is a front perspective view of a photographic diffuser showing my new design;  
FIG. 2 is a front elevational view of the photographic diffuser;  
FIG. 3 is a left side elevational view of the photographic diffuser, the undisclosed right side being a mirror image;  
FIG. 4 is a rear elevation view of the photographic diffuser;  
FIG. 5 is a top plan view of the photographic diffuser; and,  
FIG. 6 is a bottom plan view of the photographic diffuser.  
The broken lines in FIGS. 1 and 4 are shown to illustrate environment only and form no part of the claimed design.

**1 Claim, 6 Drawing Sheets**



# US D578,151 S

Page 2

---

## U.S. PATENT DOCUMENTS

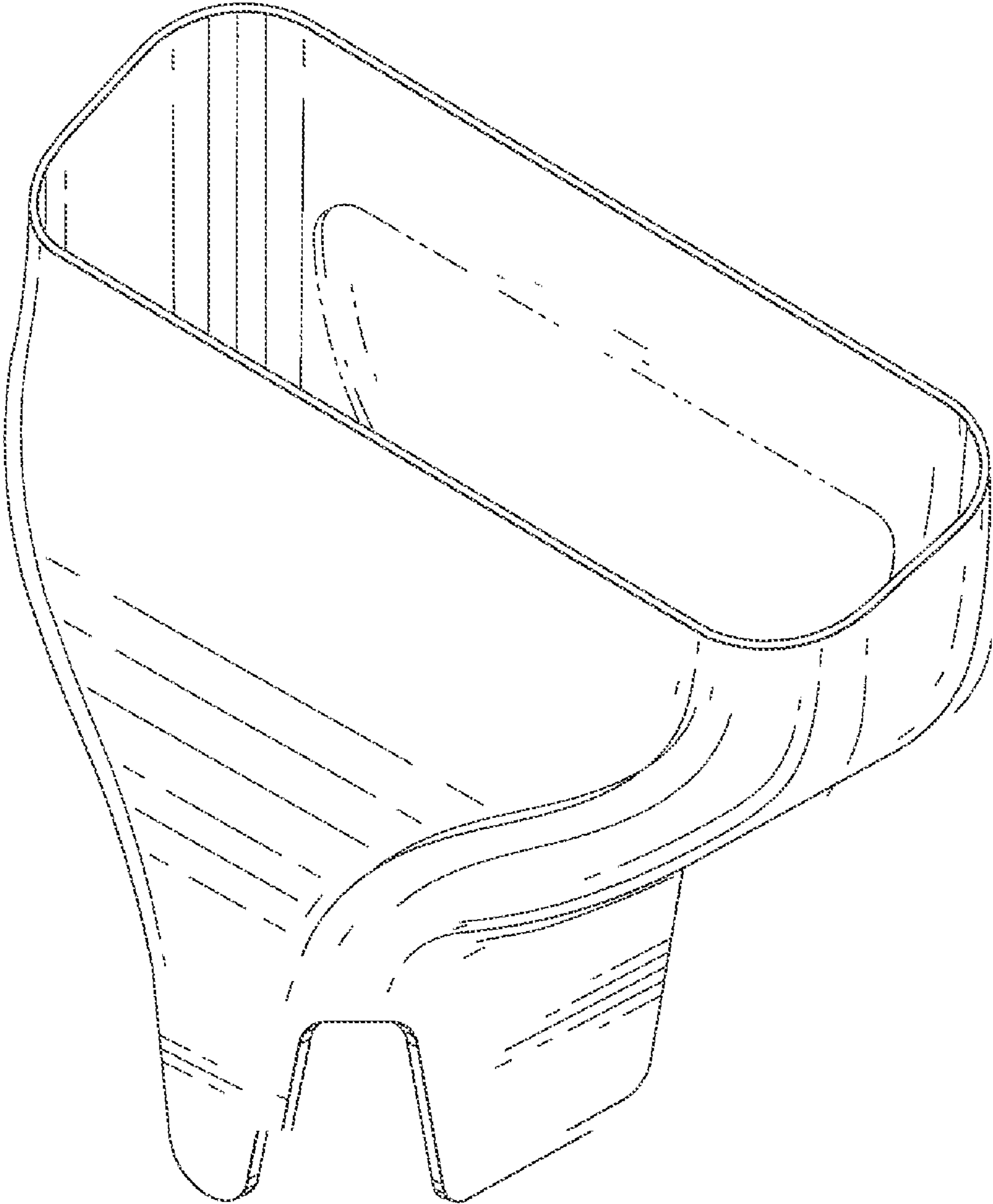
D373,132 S \* 8/1996 Baillie-Hamilton et al.  
5,556,186 A 9/1996 Pilby  
5,560,707 A 10/1996 Neer  
5,839,006 A 11/1998 Beckerman  
6,010,234 A 1/2000 Rahn  
6,102,547 A \* 8/2000 Matsuoto et al. .... 362/16  
6,361,192 B1 3/2002 Fussell et al.  
6,502,962 B1 1/2003 Menke et al.  
6,709,121 B1 3/2004 Lowe et al.  
D488,181 S \* 4/2004 Masano et al. .... D16/237

6,981,785 B1 1/2006 Watchulonis

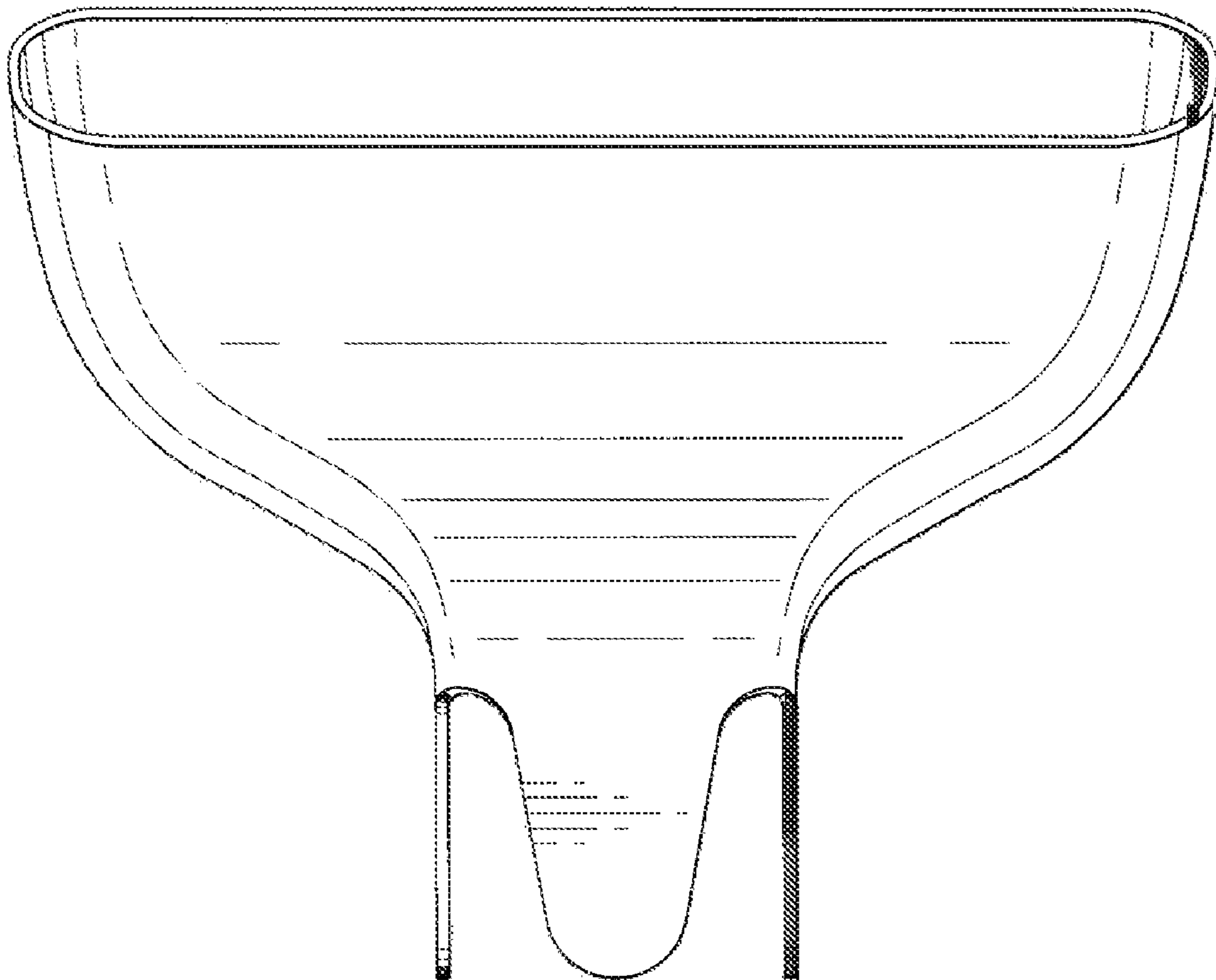
## OTHER PUBLICATIONS

Internet: <http://www.stofen.com/>; STO-FEN Products; 1 sheet.  
Product Pamphlet: Strobiframe Flash Brackets and accessories;  
©1992; 16 sheets.  
Product Pamphlet: LumiQuest Photographic Accessories; 3 sheets.  
Magazine Article: Sint, S., "Sint's View", Popular Photography, Feb.  
1996, 3 sheets.  
Internet: <http://dembflashdiffusers.com/>; Demb Flash Diffuser Pro, 2  
sheets.

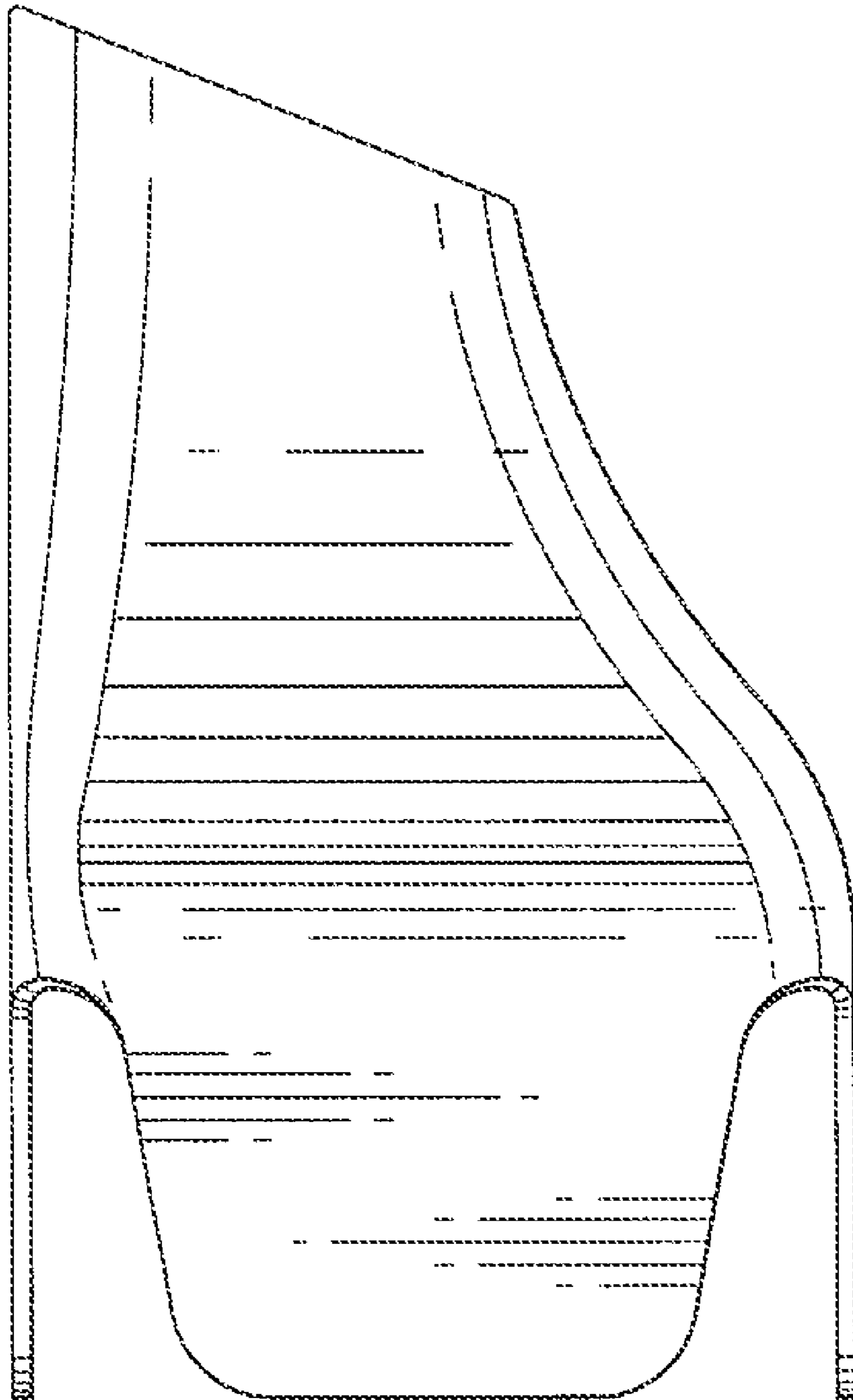
\* cited by examiner



*FIG. 1*



*FIG. 2*



*FIG. 3*

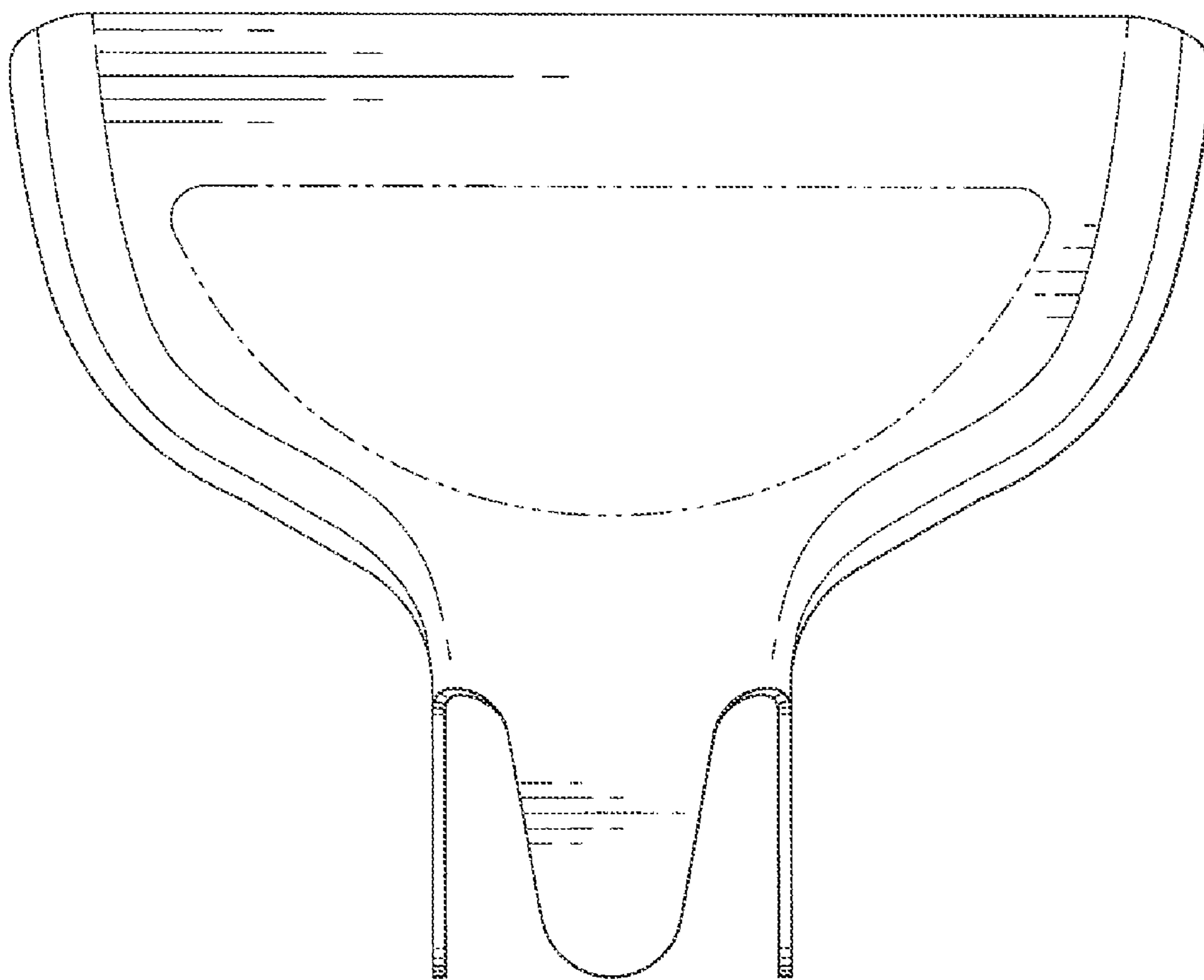
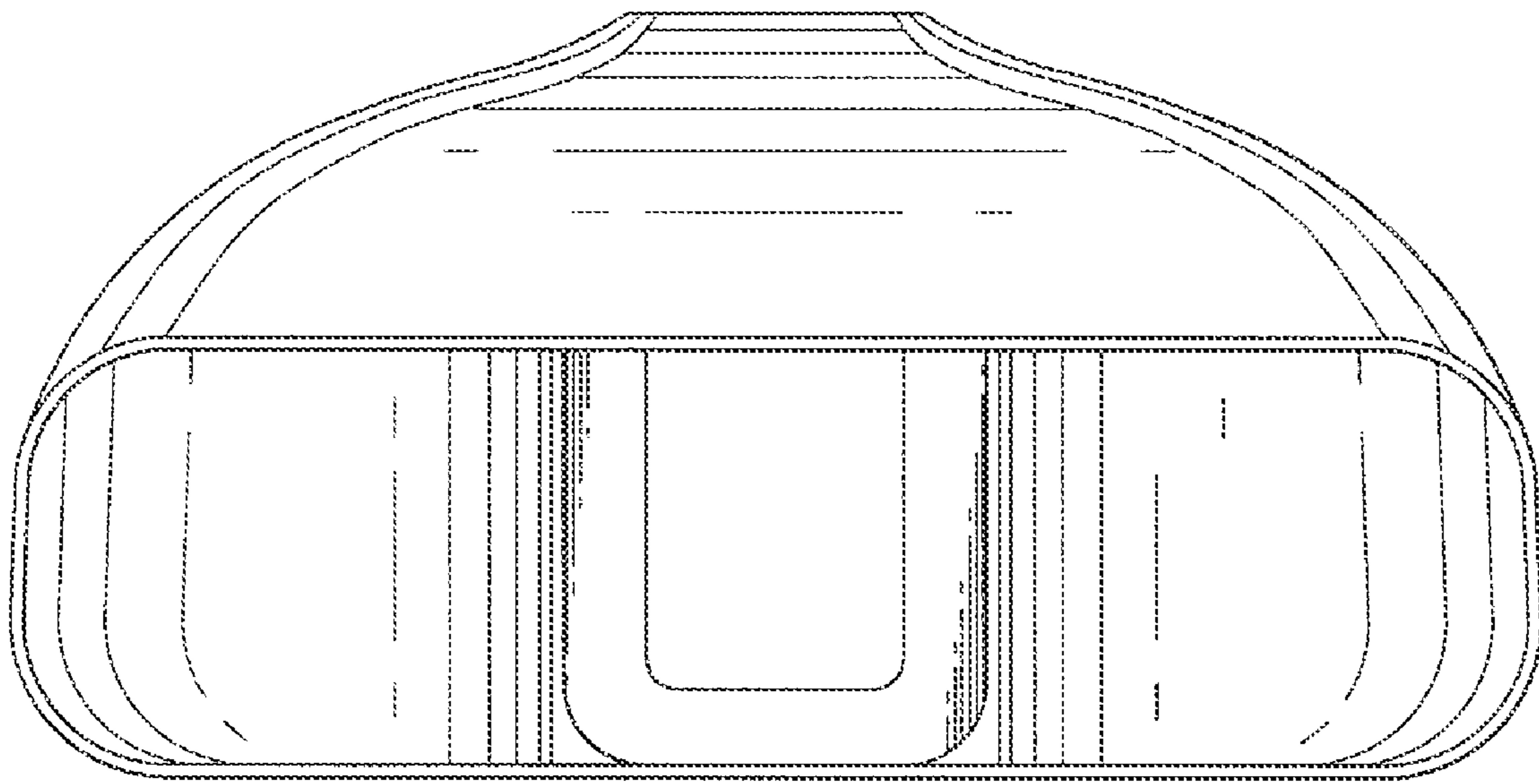
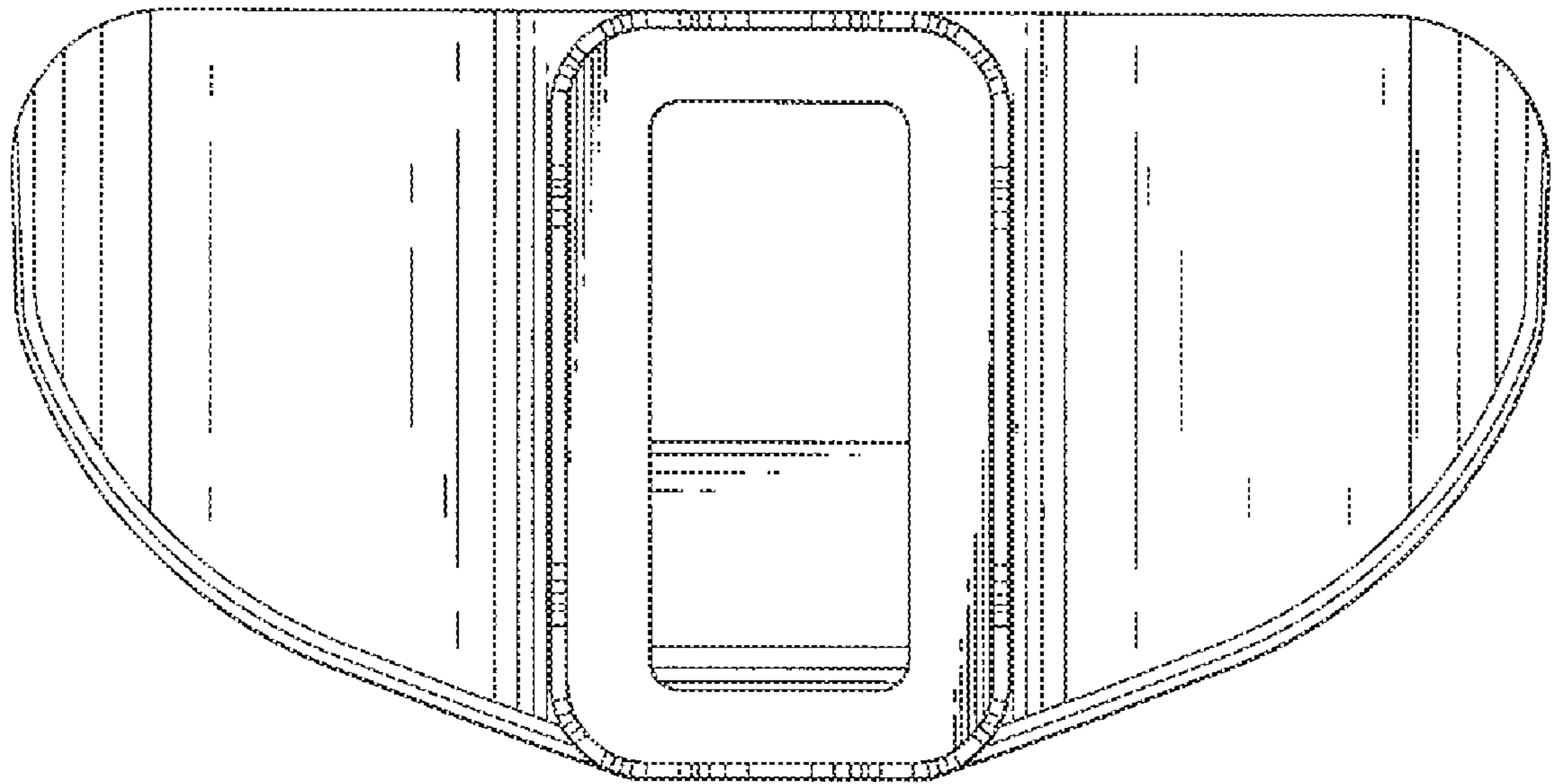


FIG. 4





*FIG. 5*



*FIG. 6*