



US00D578150S

(12) **United States Design Patent**
Sakamaki et al.

(10) **Patent No.:** **US D578,150 S**

(45) **Date of Patent:** **** Oct. 7, 2008**

(54) **PROJECTOR**

(75) Inventors: **Isao Sakamaki**, Matsumoto (JP);
Nobuyuki Otsuki, Matsumoto (JP);
Keita Tanaka, Tokyo (JP)

(73) Assignee: **Seiko Epson Corporation**, Tokyo (JP)

(**) Term: **14 Years**

(21) Appl. No.: **29/298,710**

(22) Filed: **Dec. 12, 2007**

(30) **Foreign Application Priority Data**

Sep. 28, 2007 (JP) 2007-026327

(51) **LOC (8) Cl.** **16-02**

(52) **U.S. Cl.** **D16/230; D16/225**

(58) **Field of Classification Search** D16/205,
D16/208, 221, 225, 230, 231, 234; D21/514;
353/115, 119, 122

See application file for complete search history.

(56) **References Cited**

U.S. PATENT DOCUMENTS

D464,074 S * 10/2002 Miyazaki D16/230
6,616,282 B2 * 9/2003 Ozawa 353/119

6,886,948 B2 * 5/2005 Nakano 353/119
D506,218 S * 6/2005 Pininfarina D16/230
D517,588 S * 3/2006 Yamada et al. D16/230
D527,407 S * 8/2006 Kawasaki et al. D16/230
7,204,598 B2 * 4/2007 Kuroda et al. 353/119
D548,264 S * 8/2007 Sakamaki et al. D16/230
D550,269 S * 9/2007 Salvatori et al. D16/230

* cited by examiner

Primary Examiner—Adir Aronovich

(74) *Attorney, Agent, or Firm*—Olliff & Berridge, PLC

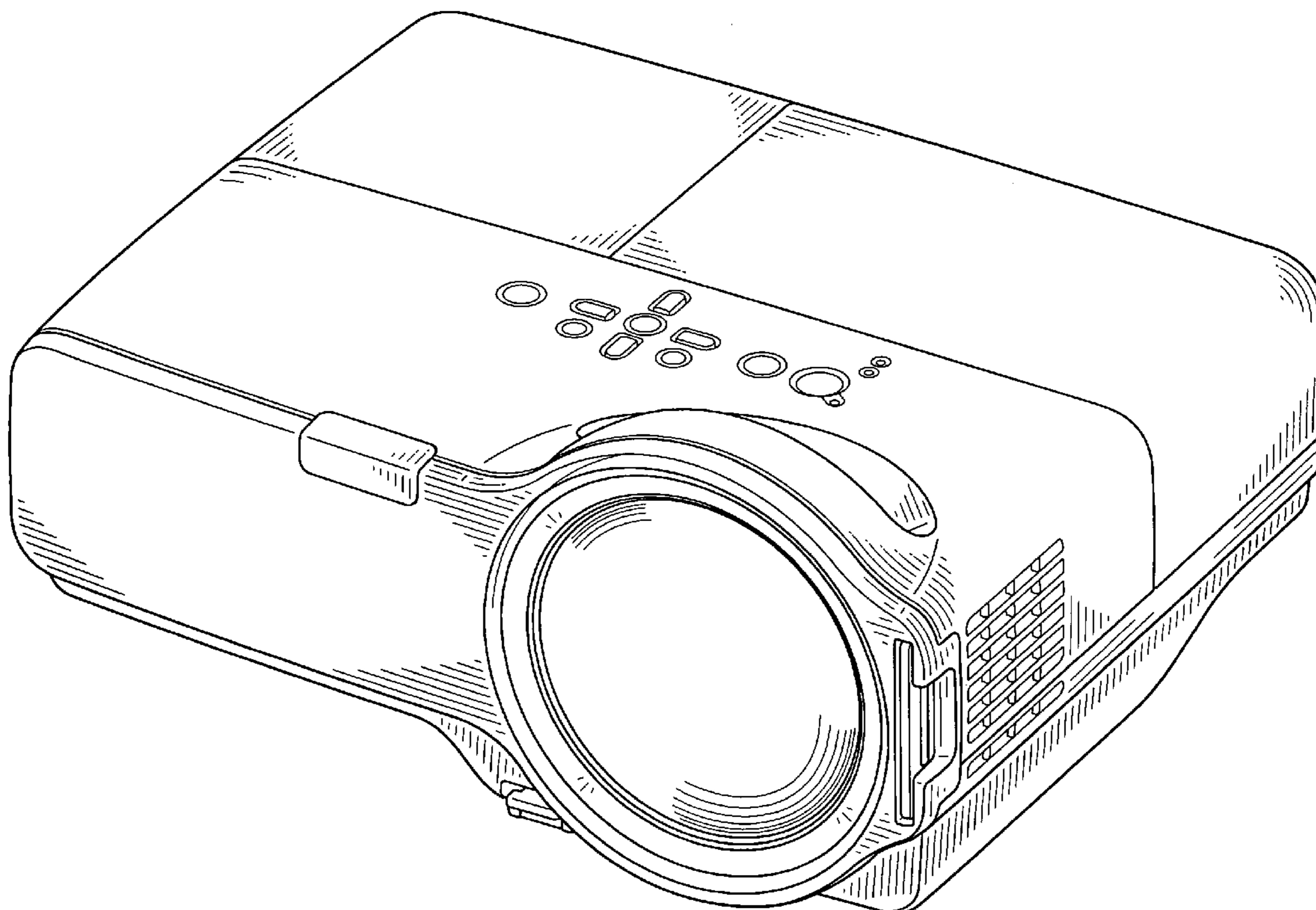
(57) **CLAIM**

The ornamental design for a projector, as shown and described.

DESCRIPTION

FIG. 1 is a perspective view of a projector;
FIG. 2 is a front view thereof;
FIG. 3 is a rear view thereof;
FIG. 4 is a left-side view thereof;
FIG. 5 is a right-side view thereof;
FIG. 6 is a top view thereof; and,
FIG. 7 is a bottom view thereof.

1 Claim, 7 Drawing Sheets



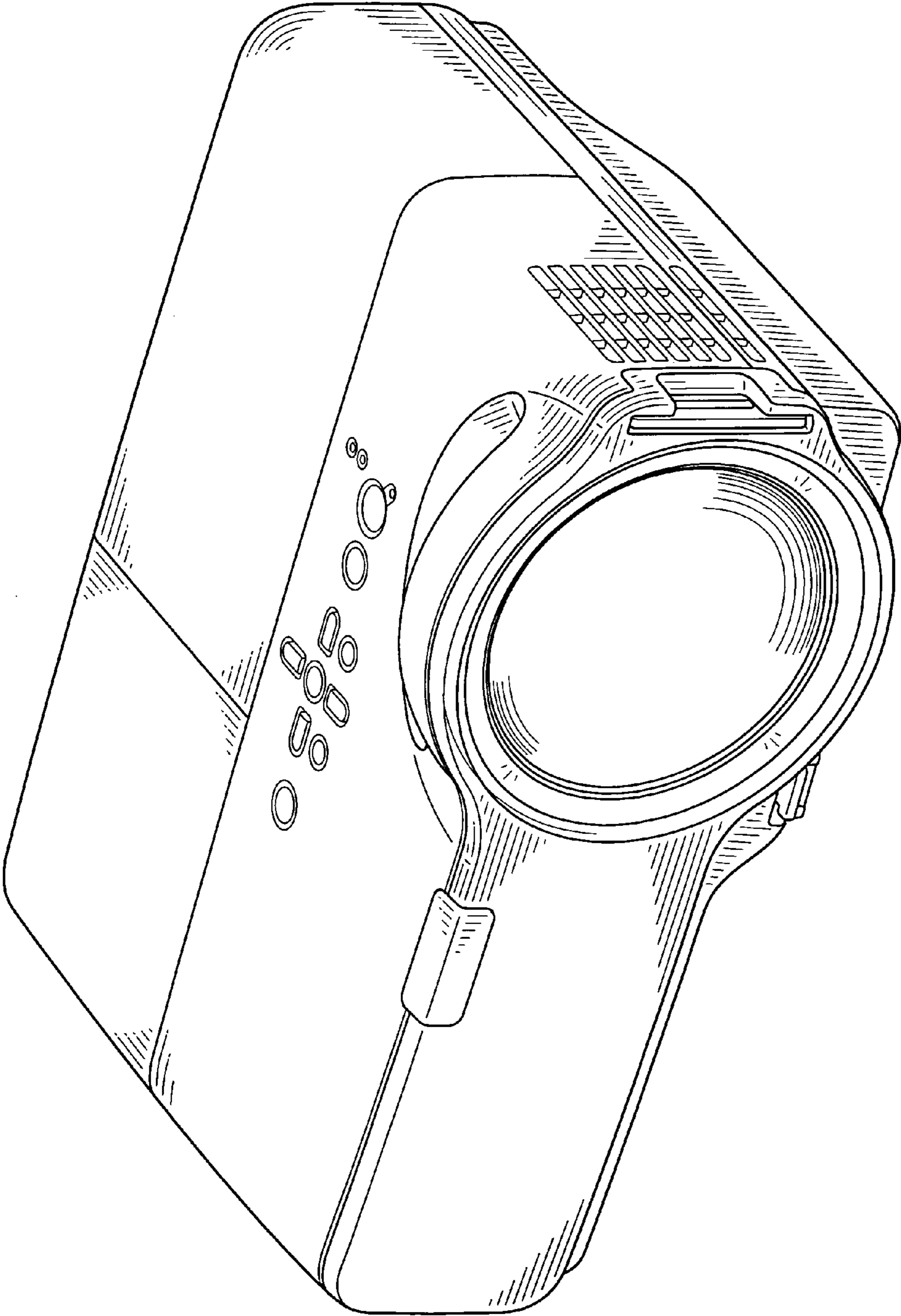


FIG. 1

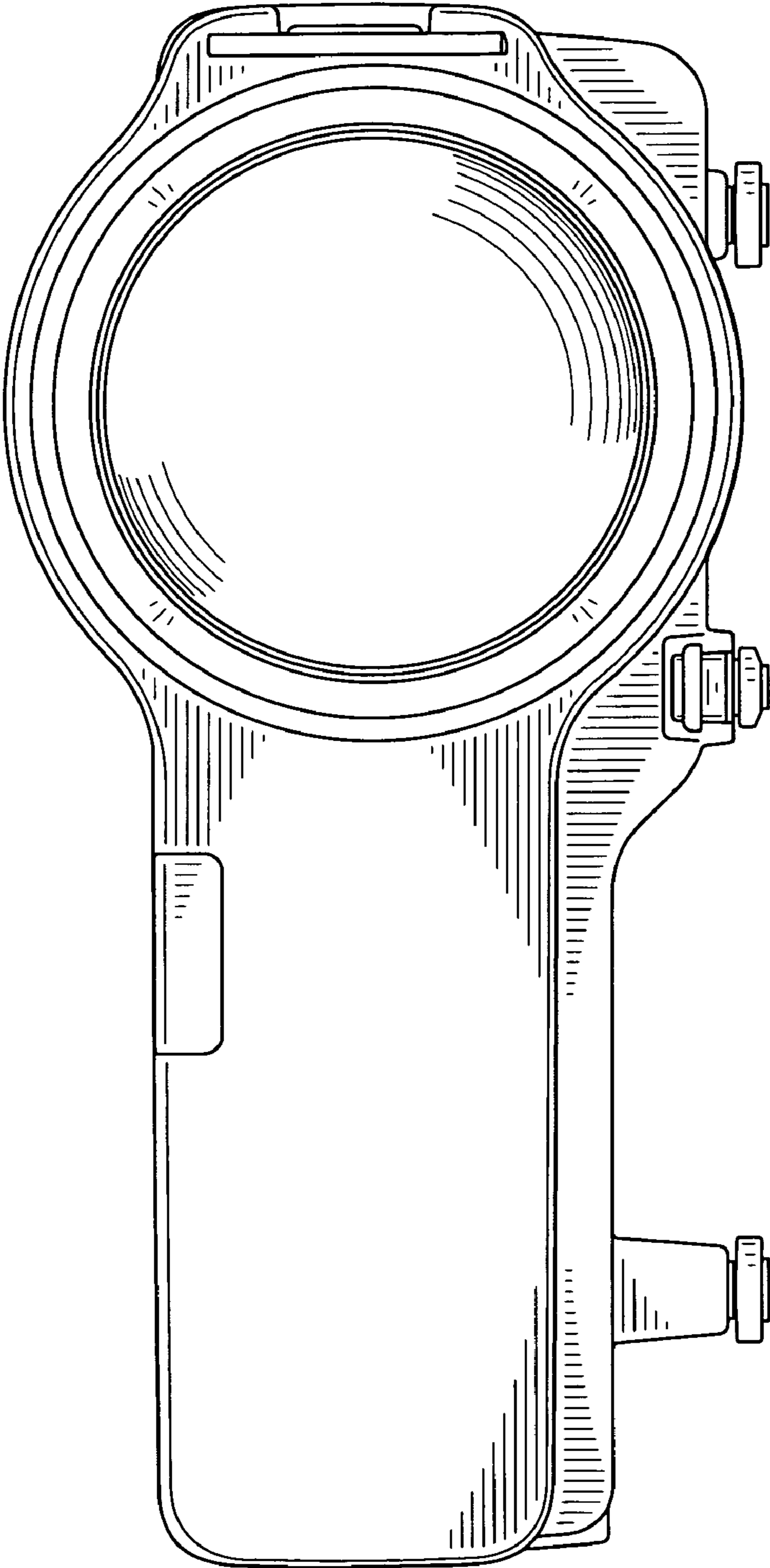


FIG. 2

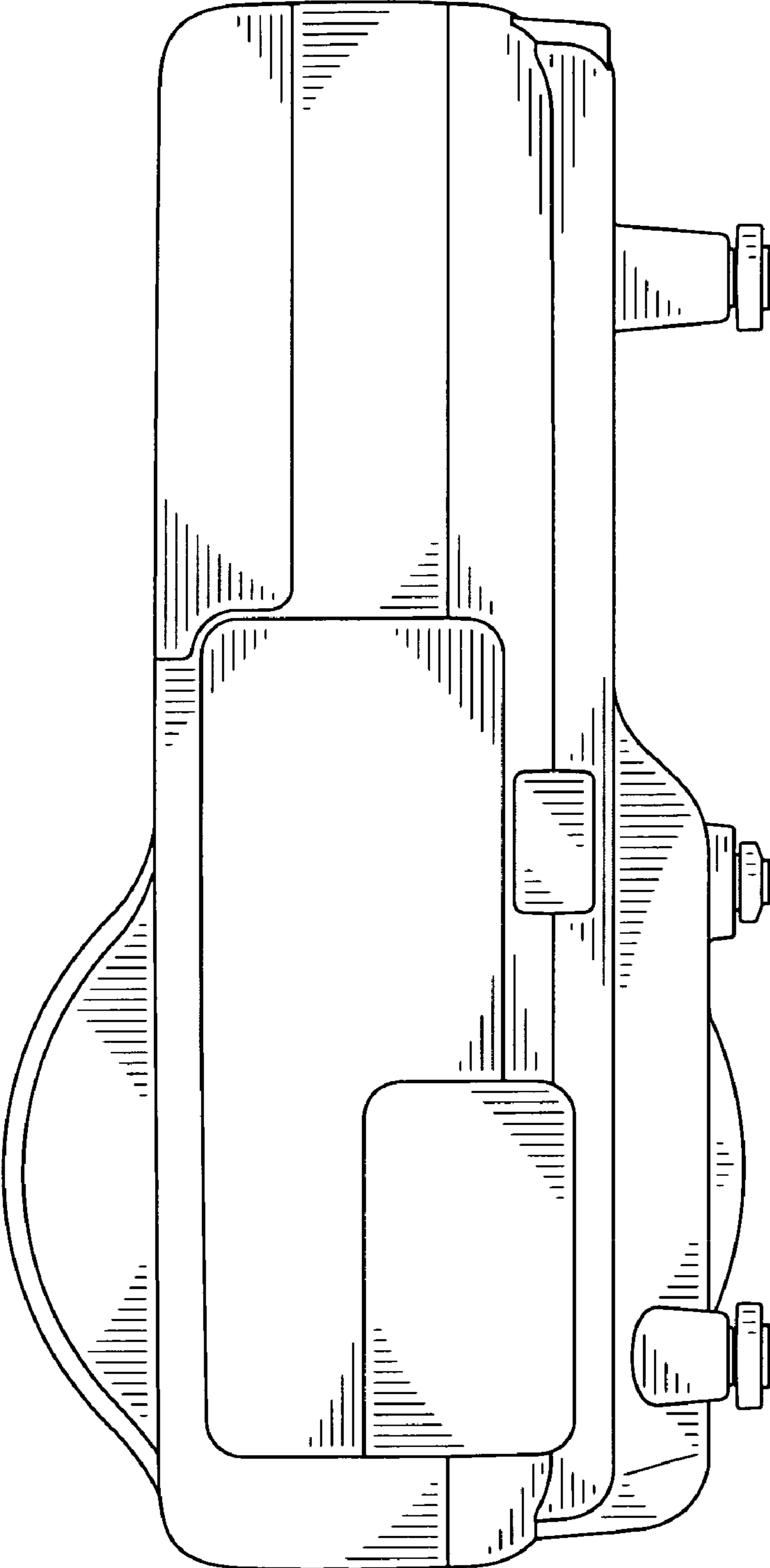


FIG. 3

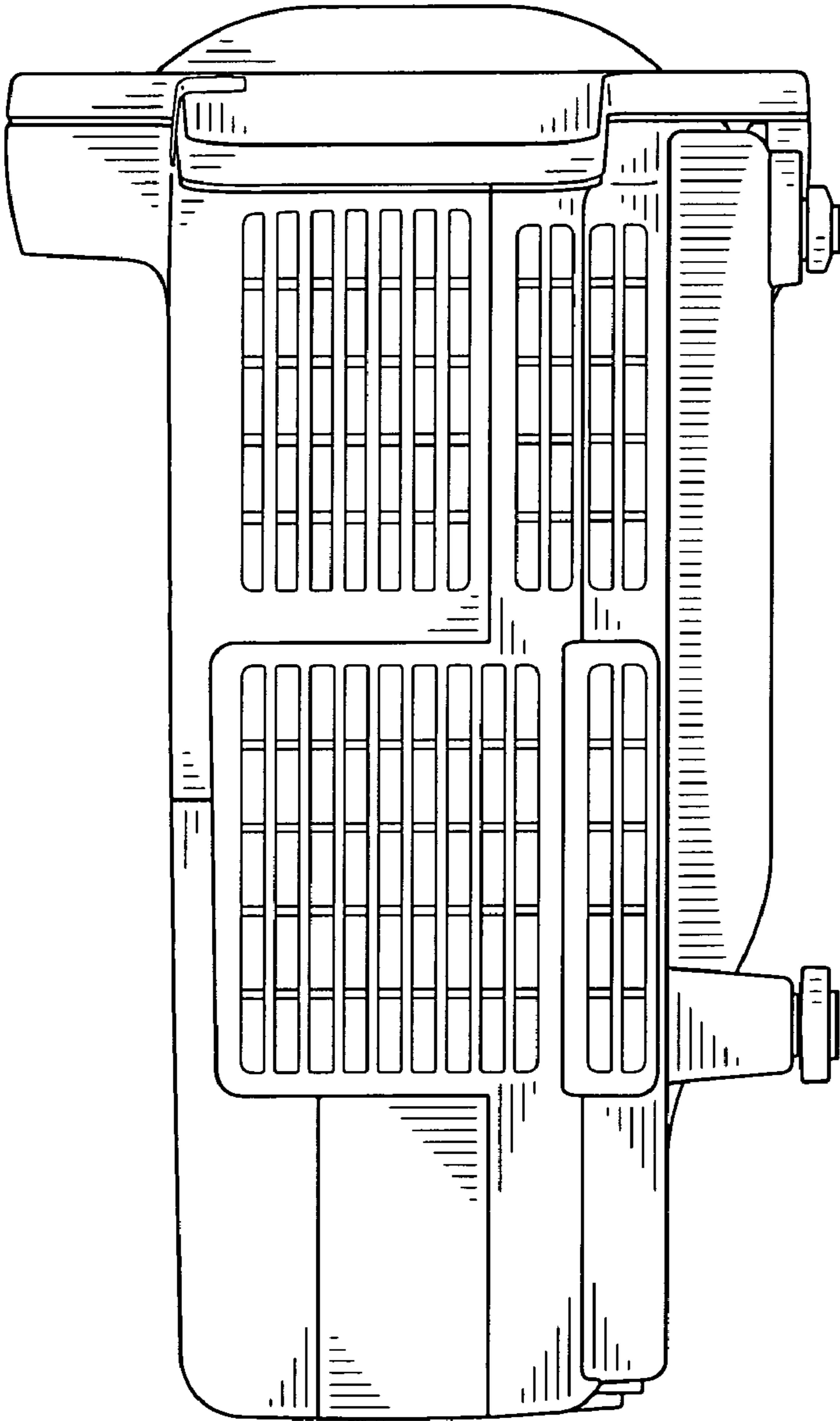


FIG. 4

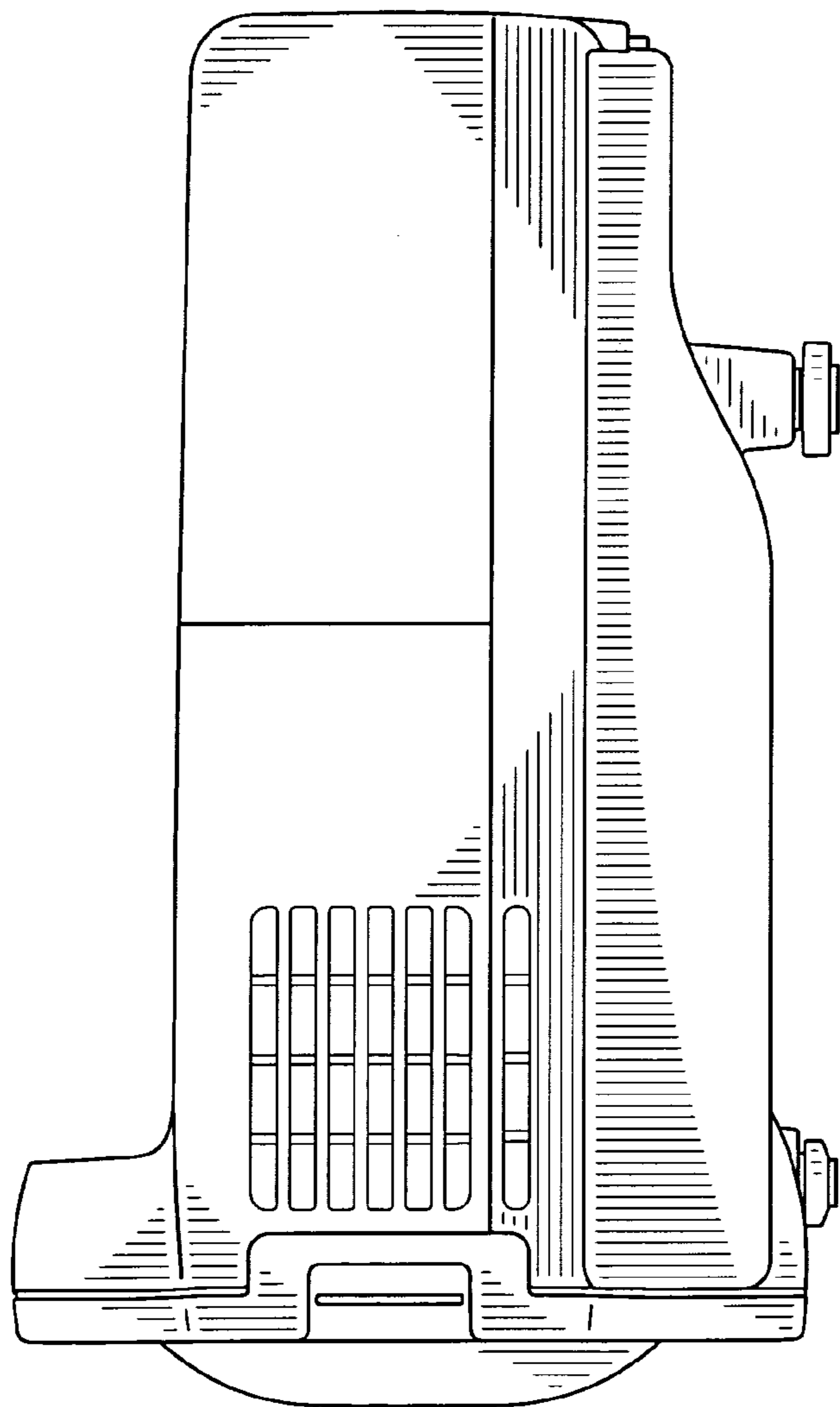


FIG. 5

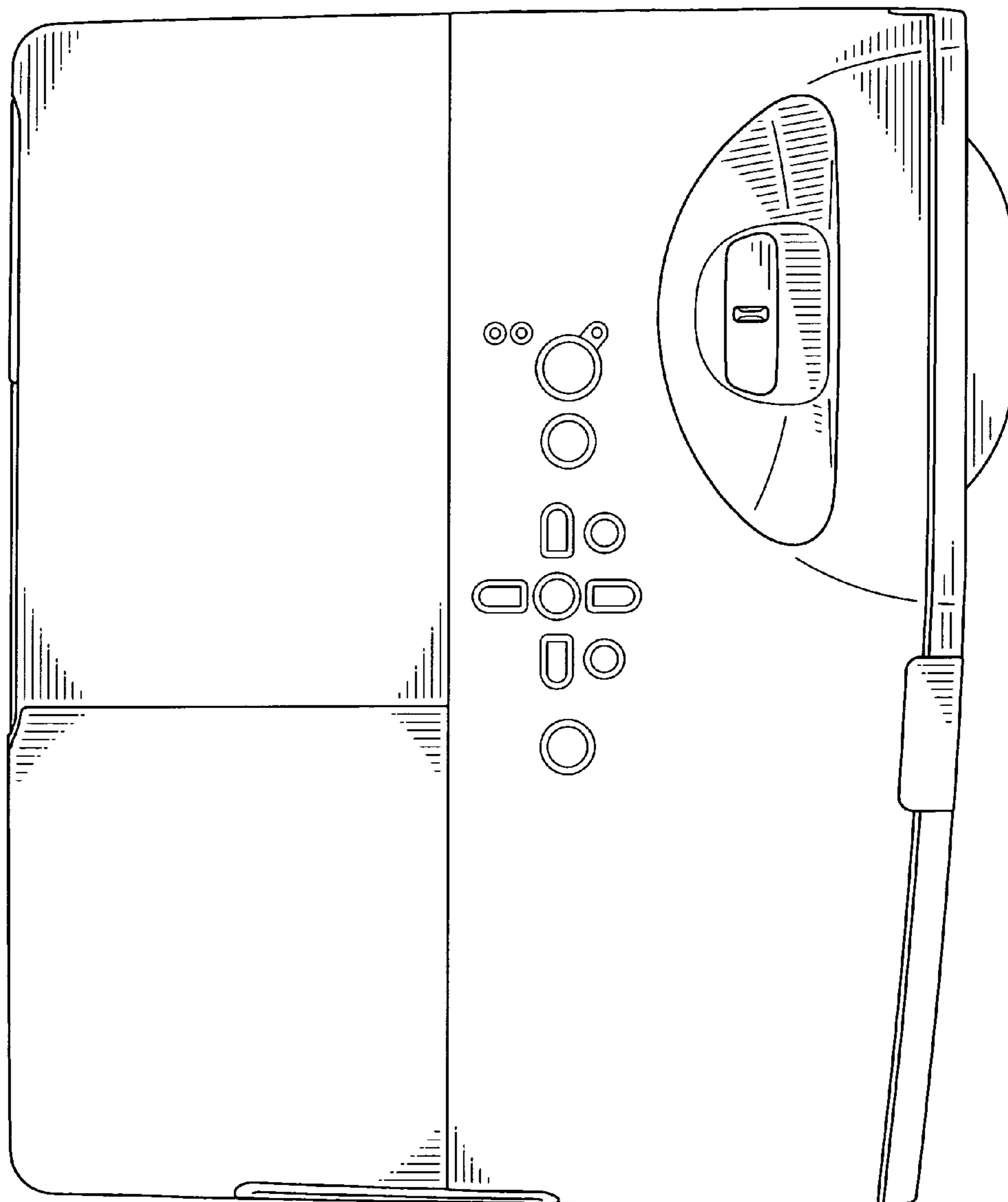


FIG. 6

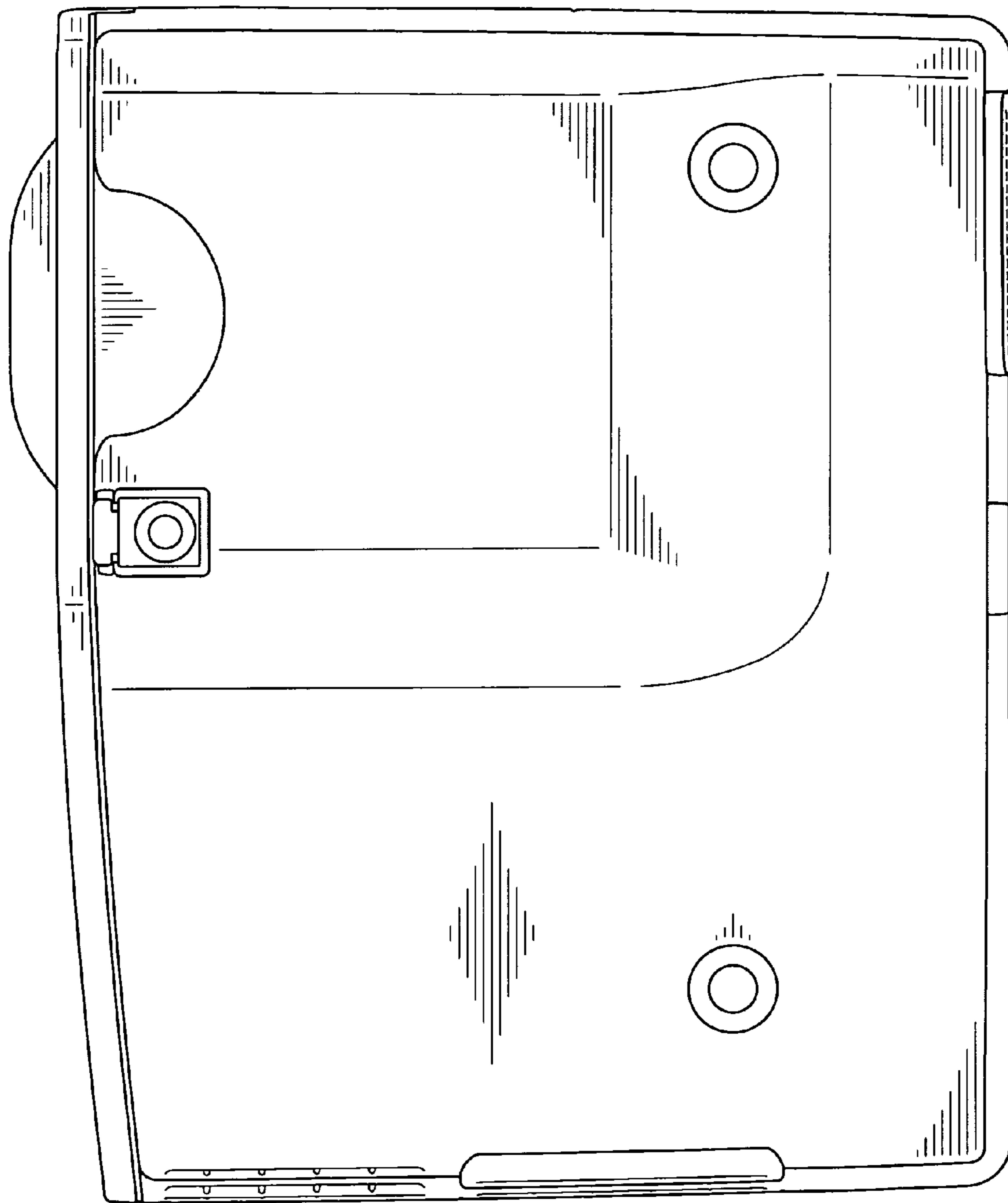


FIG. 7