



US00D578148S

(12) **United States Design Patent**
Anderson

(10) **Patent No.:** **US D578,148 S**

(45) **Date of Patent:** **** Oct. 7, 2008**

(54) **SANDBAGGING DEVICE**

(76) **Inventor:** **Cecil Anderson**, 16514 Nordhoff St.,
North Hills, CA (US) 91344

(**) **Term:** **14 Years**

(21) **Appl. No.:** **29/302,567**

(22) **Filed:** **Jan. 18, 2008**

(51) **LOC (8) Cl.** **15-09**

(52) **U.S. Cl.** **D15/145**

(58) **Field of Classification Search** D8/1,
D8/7; D15/145, 199; D34/1, 6, 28; 141/10,
141/114, 131, 231, 313, 391; 198/533; 222/74,
222/227, 238, 415; 248/97, 101

See application file for complete search history.

(56) **References Cited**

U.S. PATENT DOCUMENTS

D89,682	S *	4/1933	Croasdale, Jr. et al.	D8/7
4,723,742	A *	2/1988	Krauss	248/97
5,101,997	A *	4/1992	Bagwell et al.	220/23.4
D332,955	S *	2/1993	Hull	D15/122
D353,241	S *	12/1994	Breen	D32/53
5,397,085	A *	3/1995	Spagnolo	248/97
D358,916	S *	5/1995	Barbieri	D34/1
D360,116	S *	7/1995	Fillipp	D8/1
D362,710	S *	9/1995	Hambrick	D22/136
5,518,136	A *	5/1996	Muldner et al.	220/495.11
5,575,315	A *	11/1996	Wengert	141/314
D377,030	S *	12/1996	Spear	D15/145
5,687,781	A *	11/1997	Grizz	141/391
5,845,685	A *	12/1998	Cooper	141/108

D414,008	S *	9/1999	Jackson	D34/1
5,950,251	A *	9/1999	Cost et al.	4/483
6,119,740	A *	9/2000	Wilham et al.	141/391
6,374,874	B1 *	4/2002	Payne	141/314
D459,563	S *	6/2002	Slear et al.	D34/1
D483,918	S *	12/2003	Yeh	D34/1
6,708,742	B2 *	3/2004	Weathers et al.	141/391
D510,944	S *	10/2005	Griggs et al.	D15/145
6,983,965	B1 *	1/2006	Bergell	294/1.1

* cited by examiner

Primary Examiner—Sandra Snapp

Assistant Examiner—Patricia Palasik

(74) *Attorney, Agent, or Firm*—Richard S. Erbe

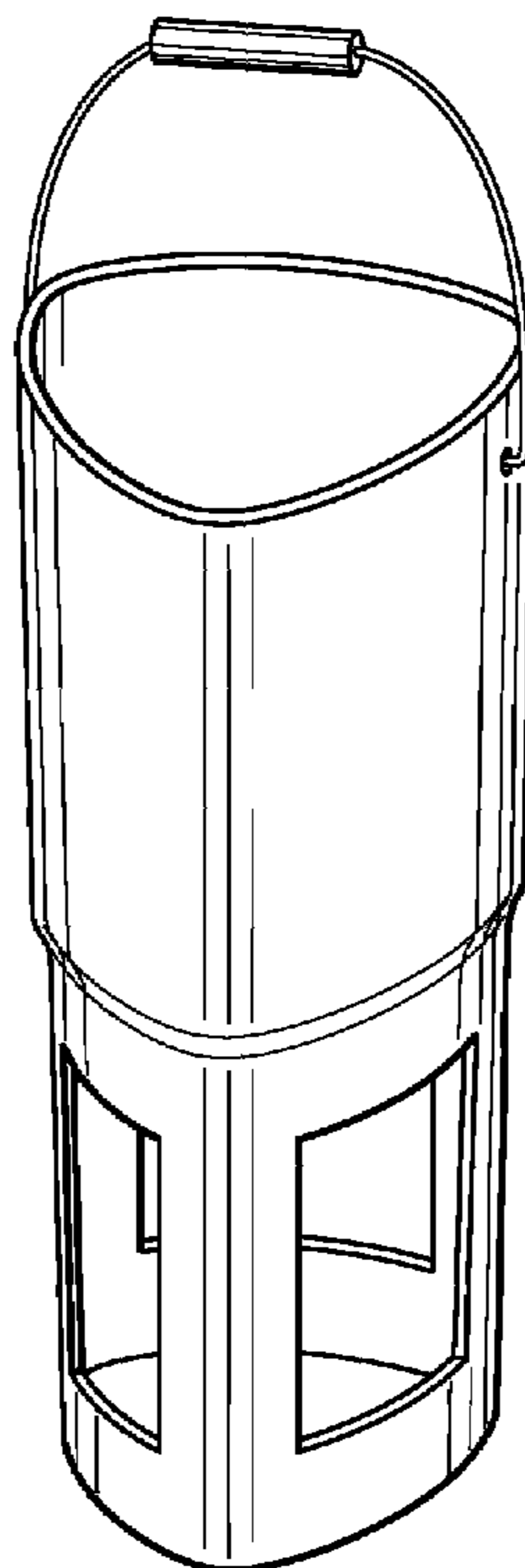
(57) **CLAIM**

The ornamental design for a sandbagging device, as shown and described.

DESCRIPTION

FIG. 1 is a perspective view of my sandbagging device;
 FIG. 2 is a front elevational view of my sandbagging device;
 FIG. 3 is a rear elevational view of my sandbagging device;
 FIG. 4 is a right side elevational view of my sandbagging device;
 FIG. 5 is a left side elevational view of my sandbagging device;
 FIG. 6 is a top plan view of my sandbagging device; and,
 FIG. 7 is a bottom plan view of my sandbagging device.

1 Claim, 2 Drawing Sheets



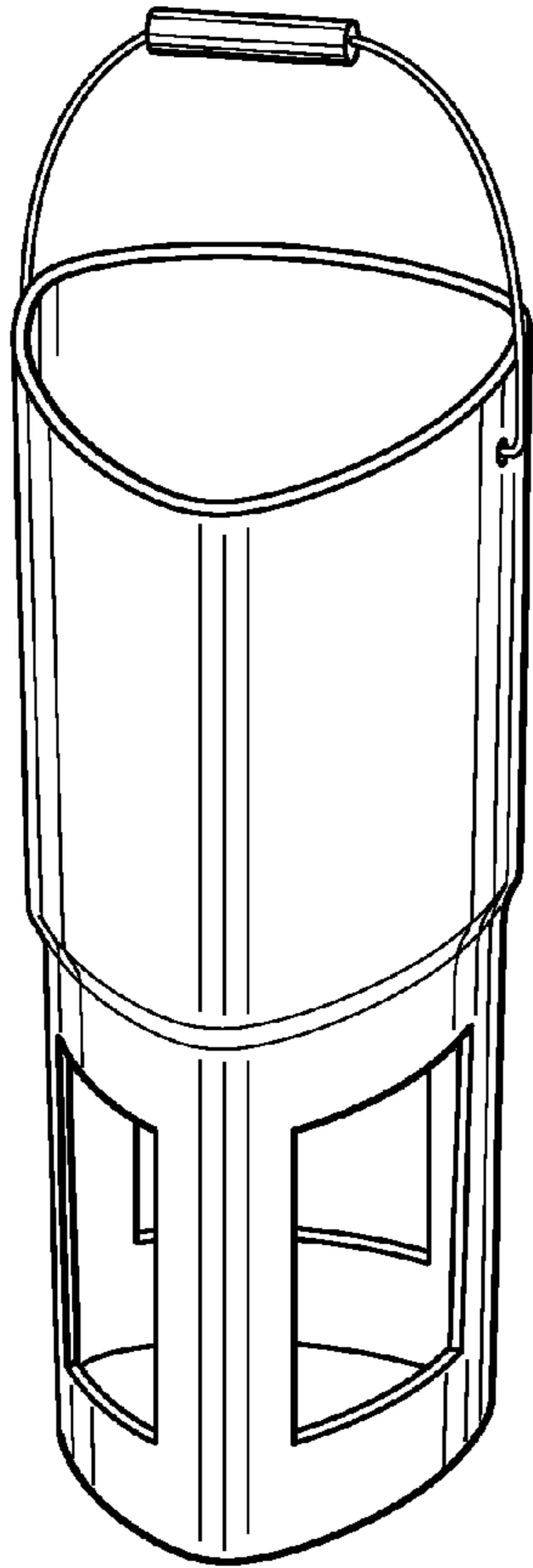


FIG. 1

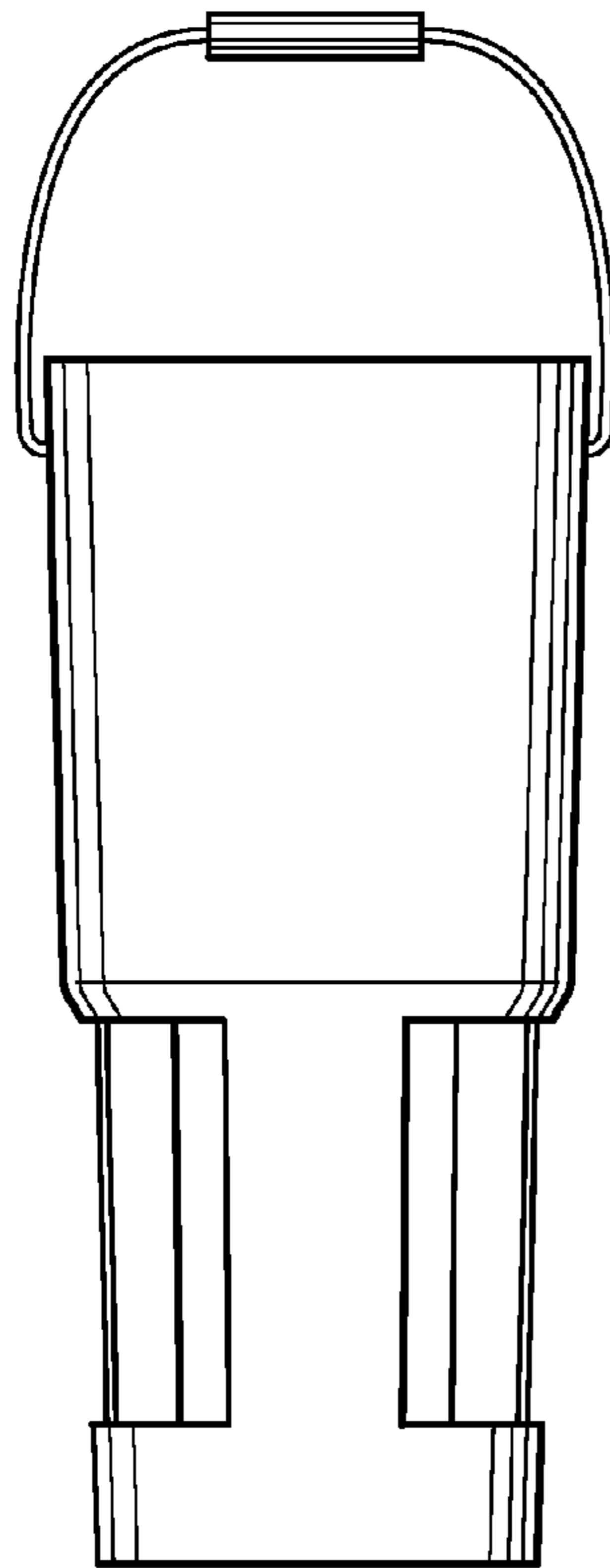


FIG. 2

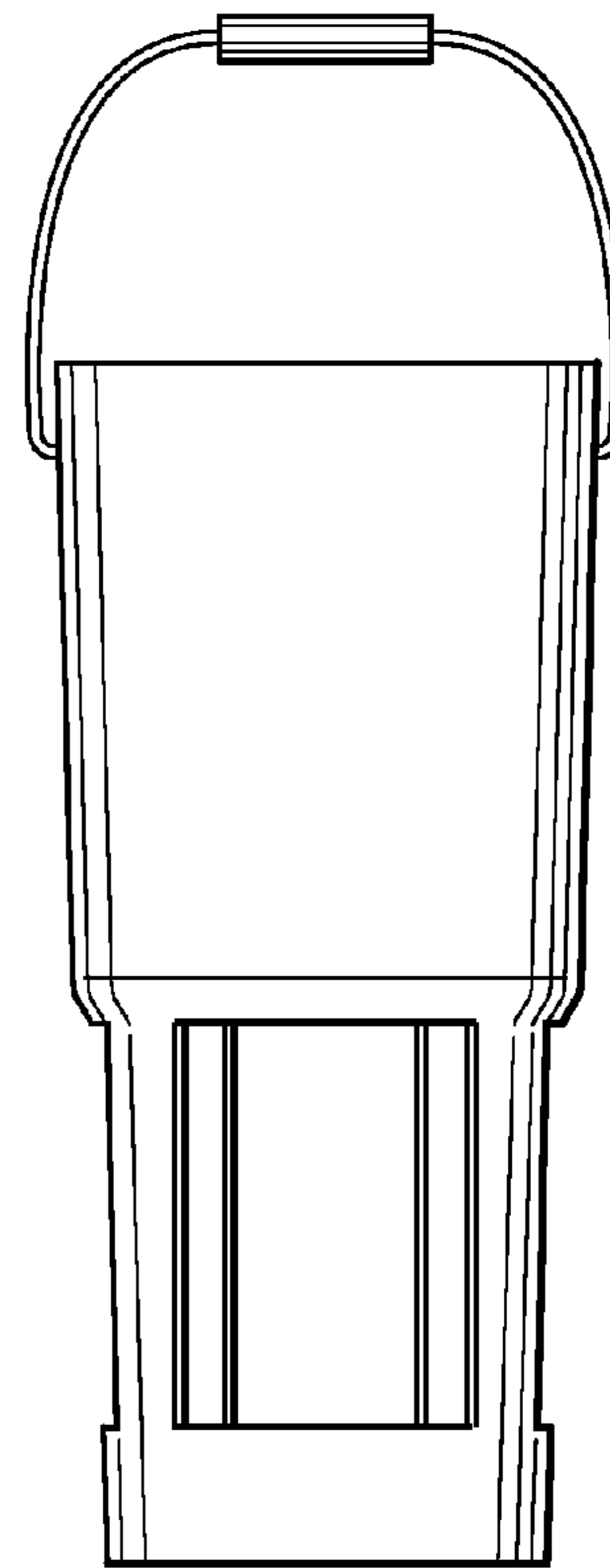


FIG. 3

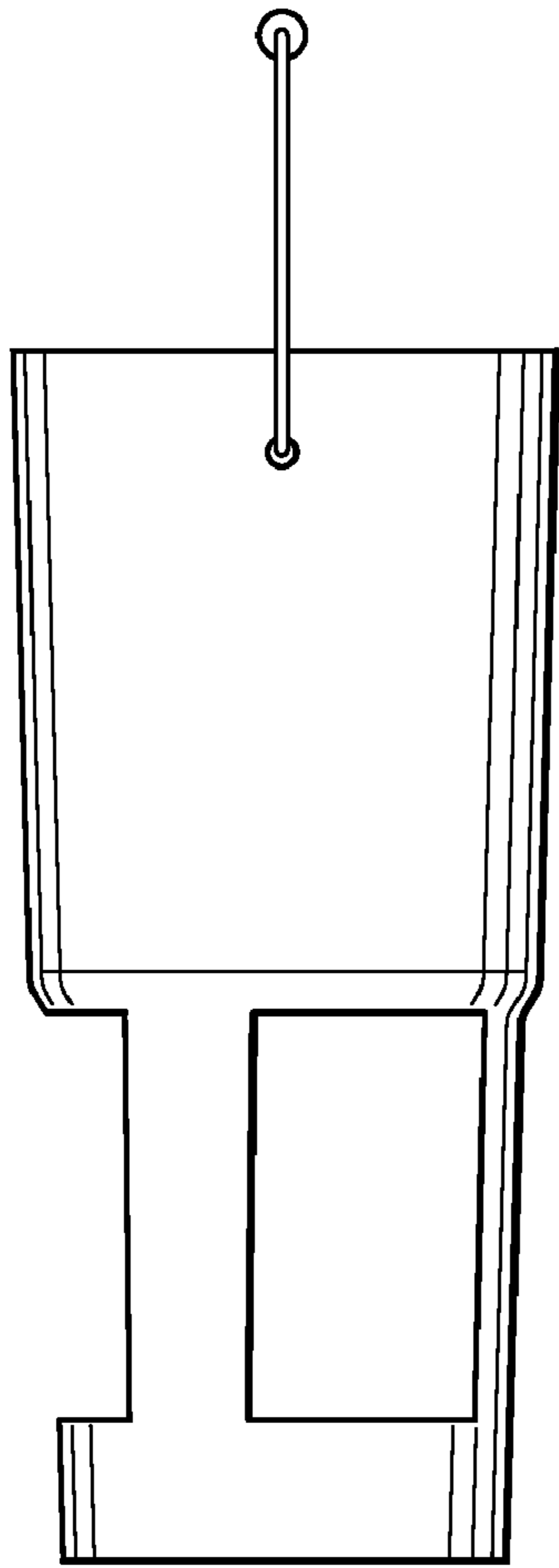


FIG. 4

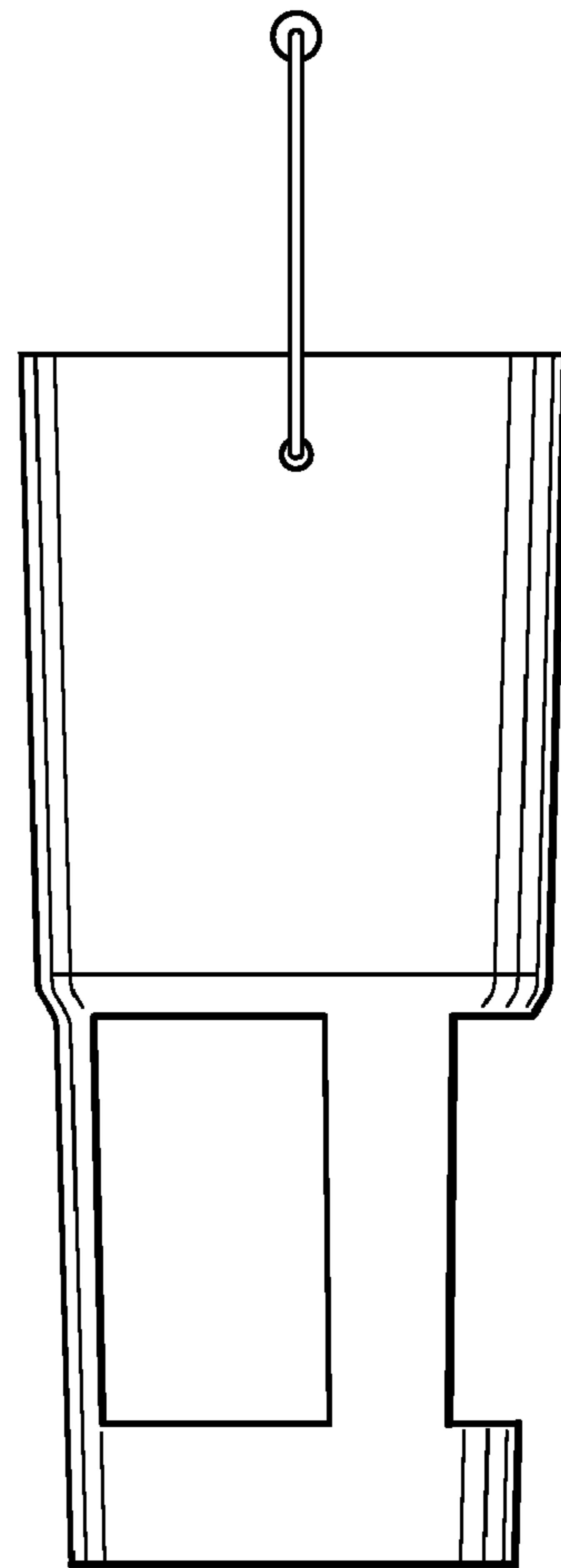


FIG. 5

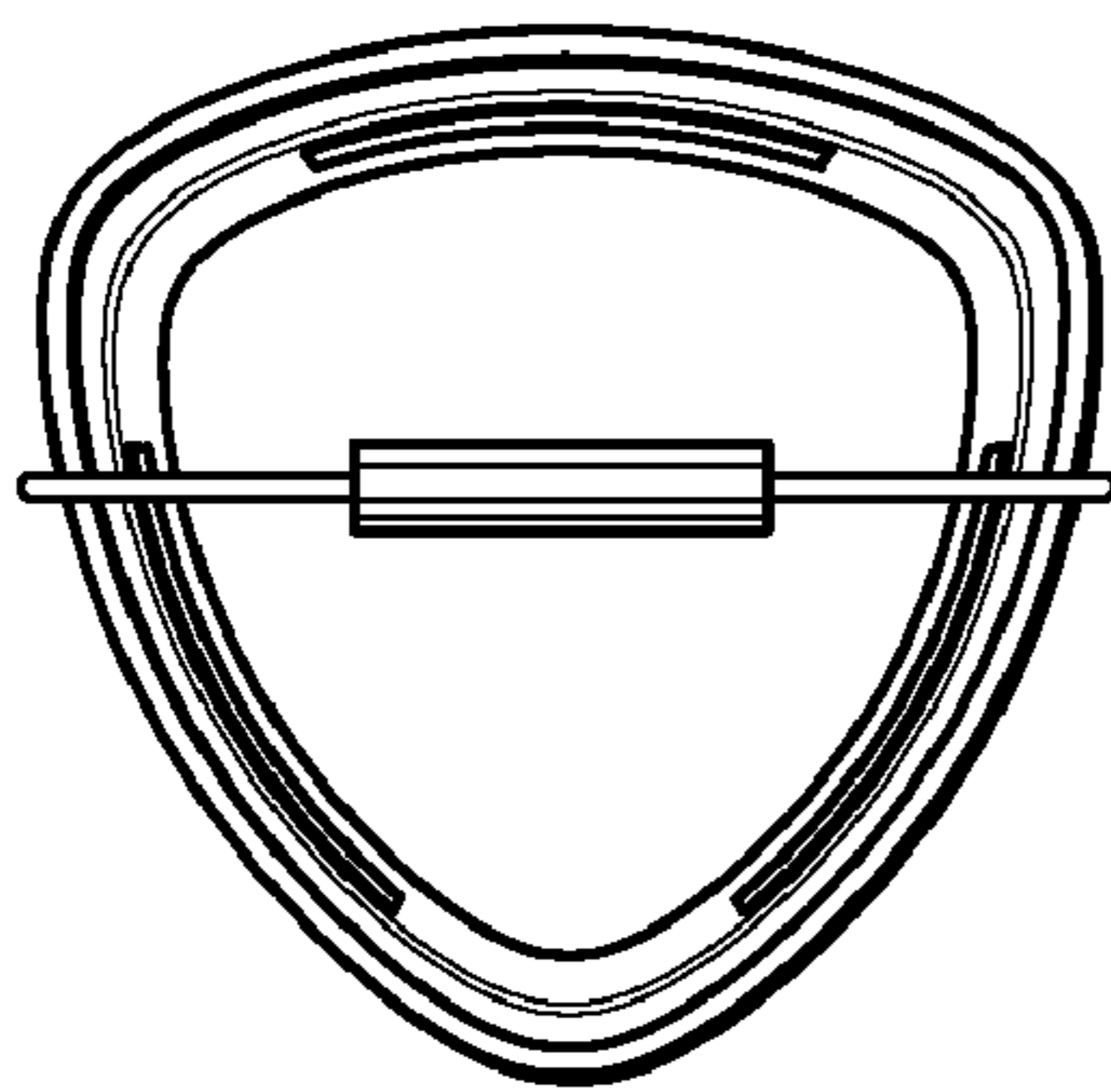


FIG. 6

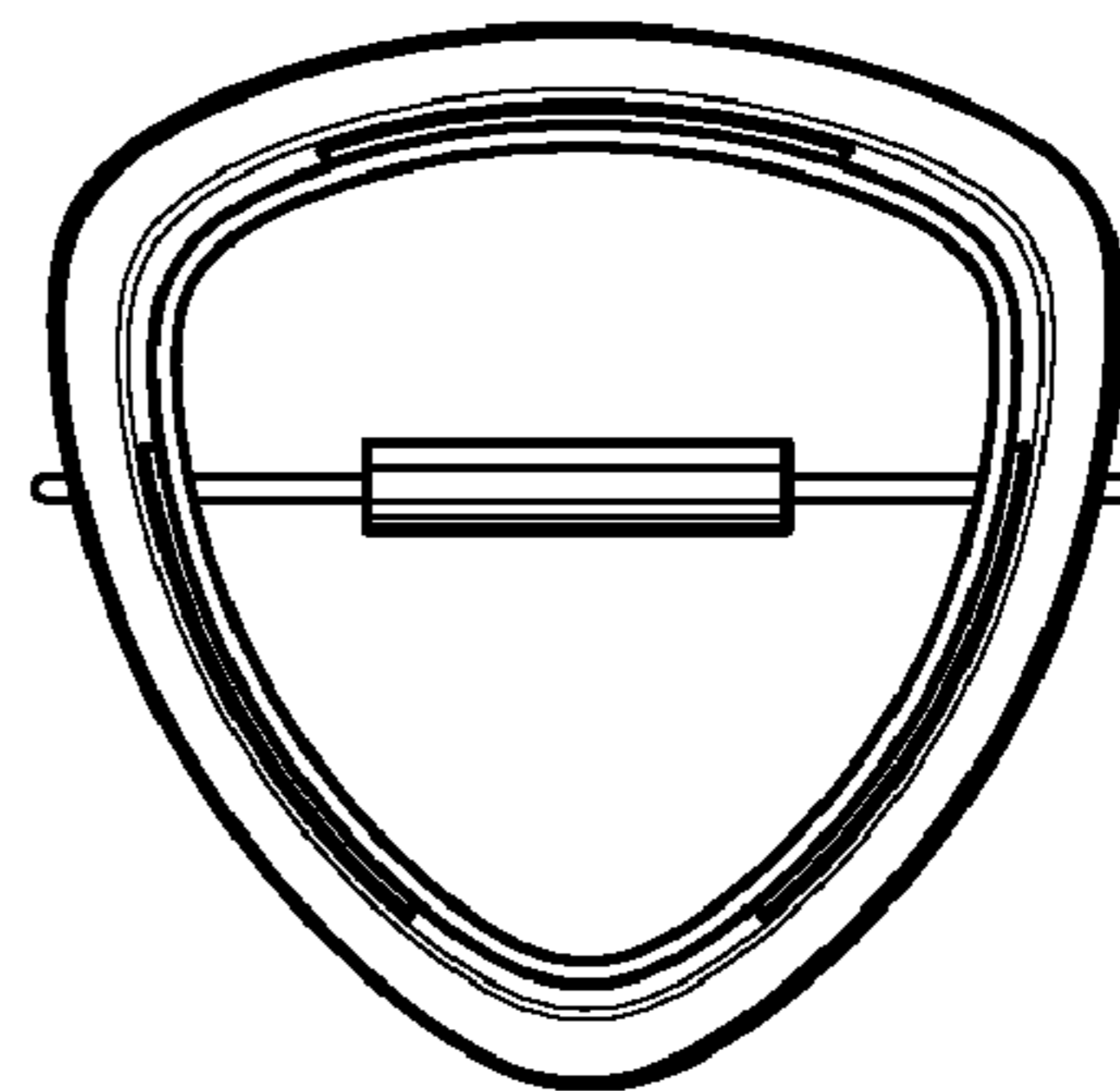


FIG. 7