



US00D578147S

(12) **United States Design Patent**
Fukano et al.

(10) **Patent No.:** **US D578,147 S**
(45) **Date of Patent:** **** Oct. 7, 2008**

(54) **ELECTRIC ACTUATOR**

(75) Inventors: **Yoshihiro Fukano**, Tsukubamirai (JP);
Ryuichi Masui, Tsukubamirai (JP);
Masaru Saitoh, Tsukubamirai (JP);
Hidemi Yamamoto, Tsukubamirai (JP);
Hirofumi Watanabe, Tsukubamirai (JP)

(73) Assignee: **SMC Corporation**, Chiyoda-ku, Tokyo (JP)

(**) Term: **14 Years**

(21) Appl. No.: **29/301,641**

(22) Filed: **Mar. 11, 2008**

(30) **Foreign Application Priority Data**

Sep. 11, 2007 (JP) 2007-024748

(51) **LOC (8) Cl.** **15-09**

(52) **U.S. Cl.** **D15/143**

(58) **Field of Classification Search** D13/158,
D13/162, 184; D15/5, 7, 9, 143, 148, 149;
74/89.15, 490.09; 310/10, 12, 15, 20, 80,
310/300

See application file for complete search history.

(56) **References Cited**

U.S. PATENT DOCUMENTS

D312,612 S * 12/1990 Seymour D13/162
D329,434 S * 9/1992 Toyoda et al. D15/5
D330,702 S * 11/1992 Hutton D13/184
D332,443 S * 1/1993 Sharpe D13/184
D373,363 S * 9/1996 Miyachi et al. D15/5
D375,965 S * 11/1996 Shiino et al. D15/143
D417,457 S * 12/1999 Asahara D15/7

D439,533 S * 3/2001 Wakasugi et al. D15/7
D444,795 S * 7/2001 Wakasugi et al. D15/7
6,400,047 B1 * 6/2002 Hartrampf et al. 310/12
D530,730 S * 10/2006 Sato et al. D15/143
D542,314 S * 5/2007 Nagai et al. D15/143
D542,816 S * 5/2007 Yajima et al. D15/143
D554,164 S * 10/2007 Naruse et al. D15/143
2002/0047322 A1 * 4/2002 Sato et al. 310/12
2006/0279140 A1 * 12/2006 Jenny 310/12
2007/0057579 A1 * 3/2007 Miyamoto 310/12

* cited by examiner

Primary Examiner—Gary D. Watson

Assistant Examiner—Patricia Palasik

(74) *Attorney, Agent, or Firm*—Peter Ganjian

(57) **CLAIM**

The ornamental design for an electric actuator, as shown and described.

DESCRIPTION

FIG. 1 shows a front view of an electric actuator showing my new design;

FIG. 2 shows a rear view thereof;

FIG. 3 shows a top view thereof;

FIG. 4 shows a bottom view thereof;

FIG. 5 shows a left side view thereof;

FIG. 6 shows a right side view thereof;

FIG. 7 shows a top, front and left side perspective view thereof; and,

FIG. 8 shows a top, rear and right side perspective view thereof.

1 Claim, 4 Drawing Sheets

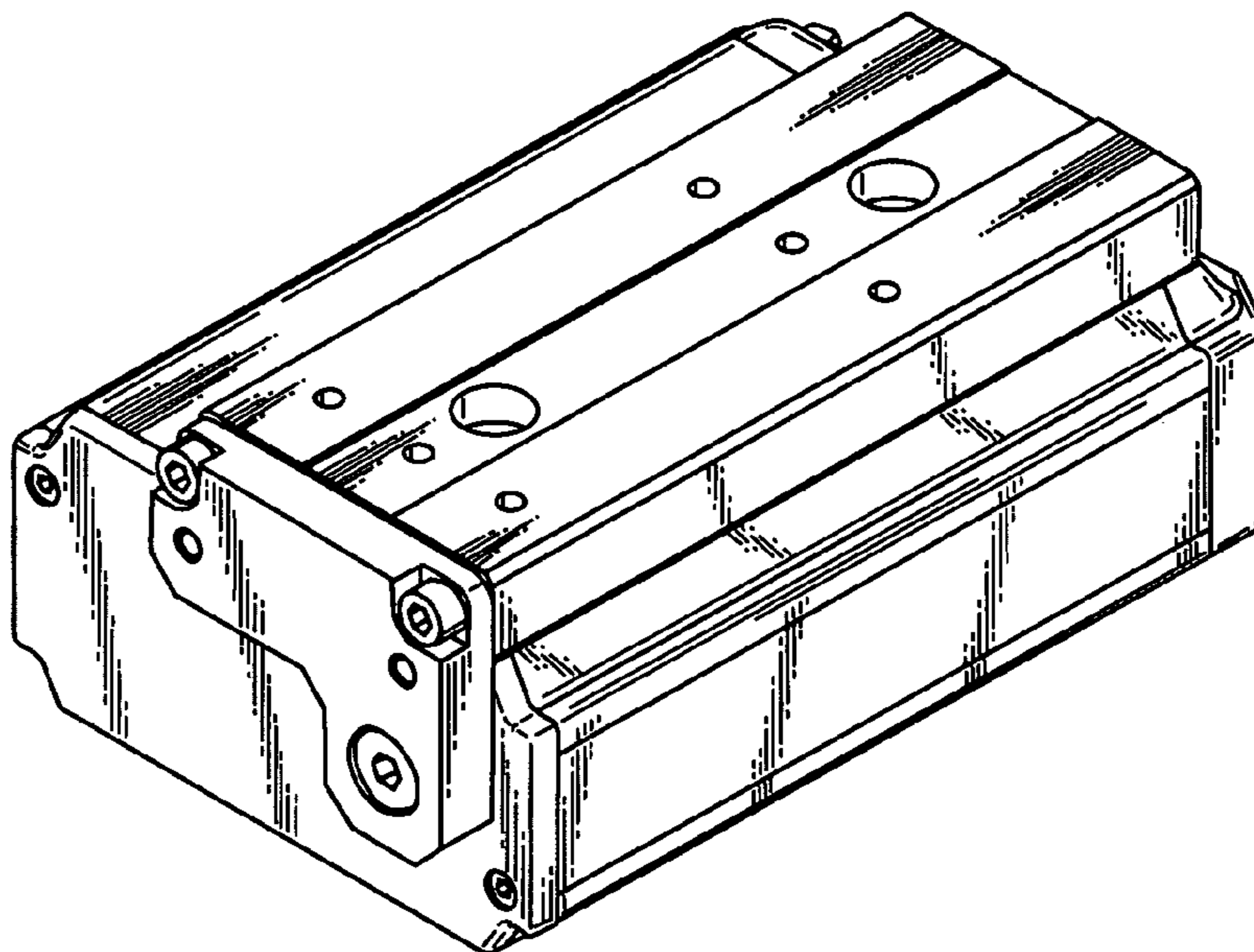


FIG. 1

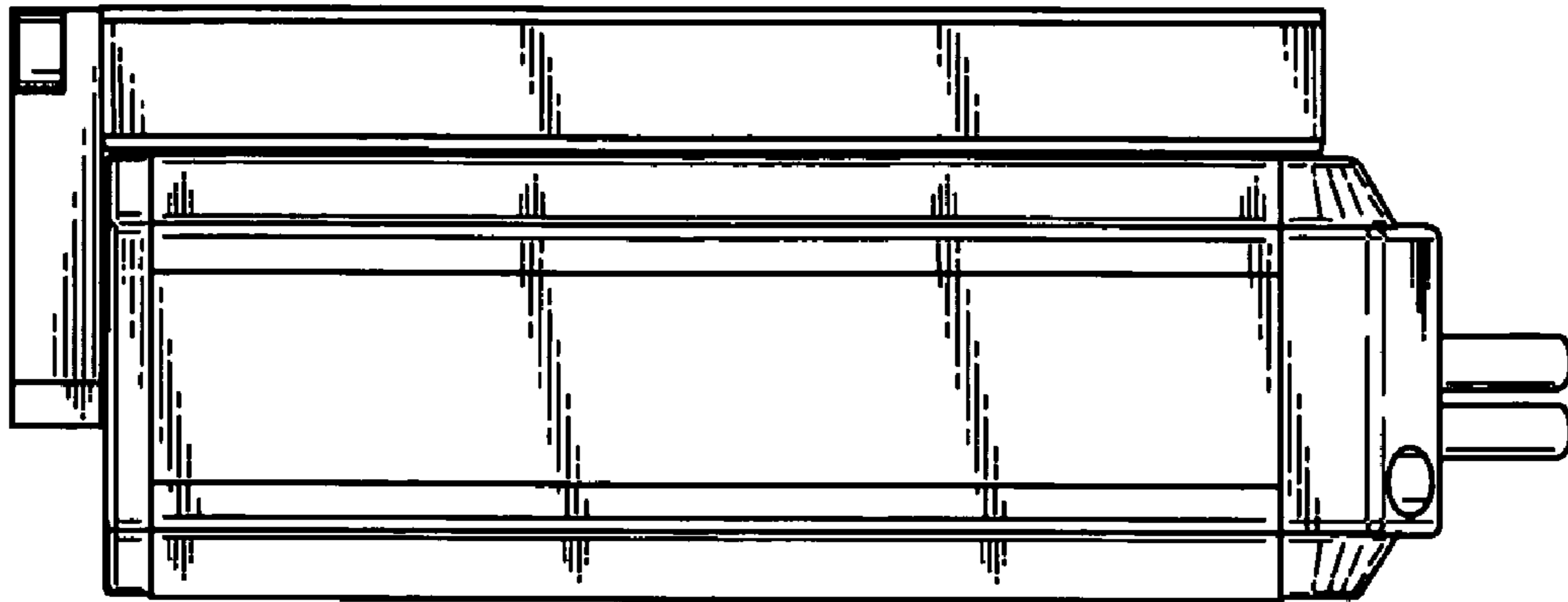


FIG. 2

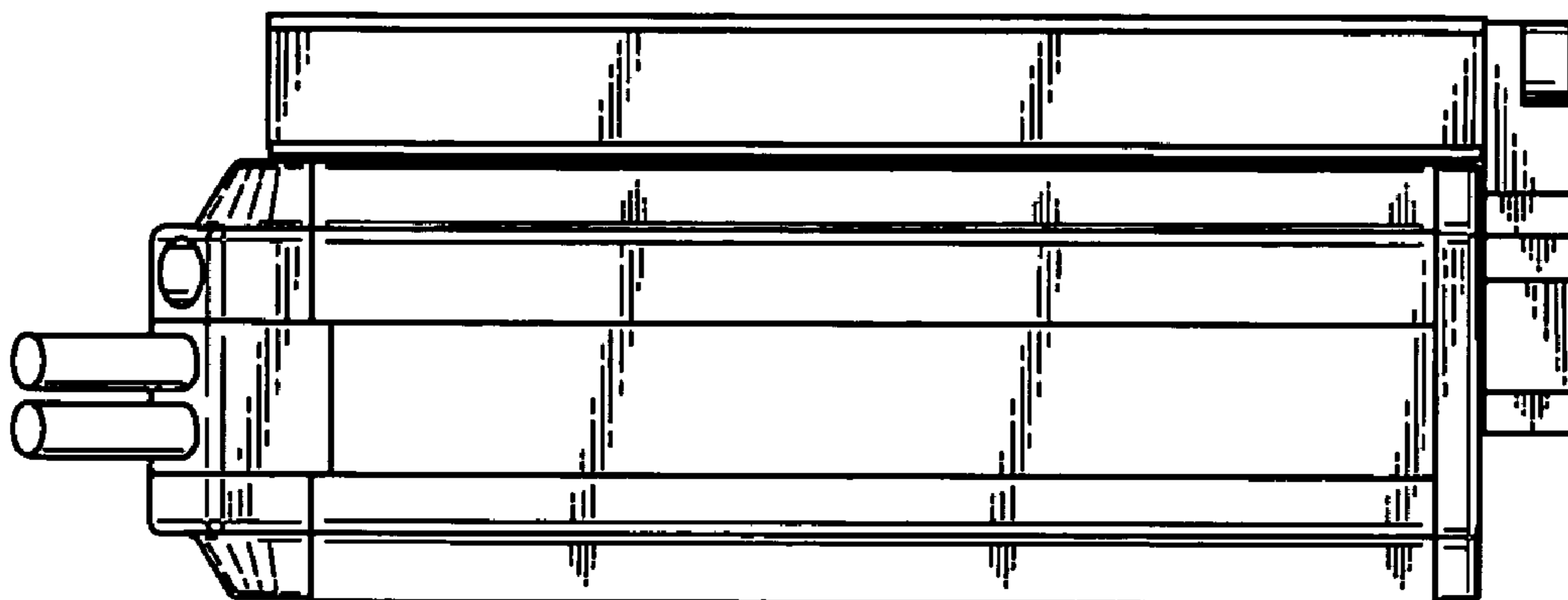


FIG. 3

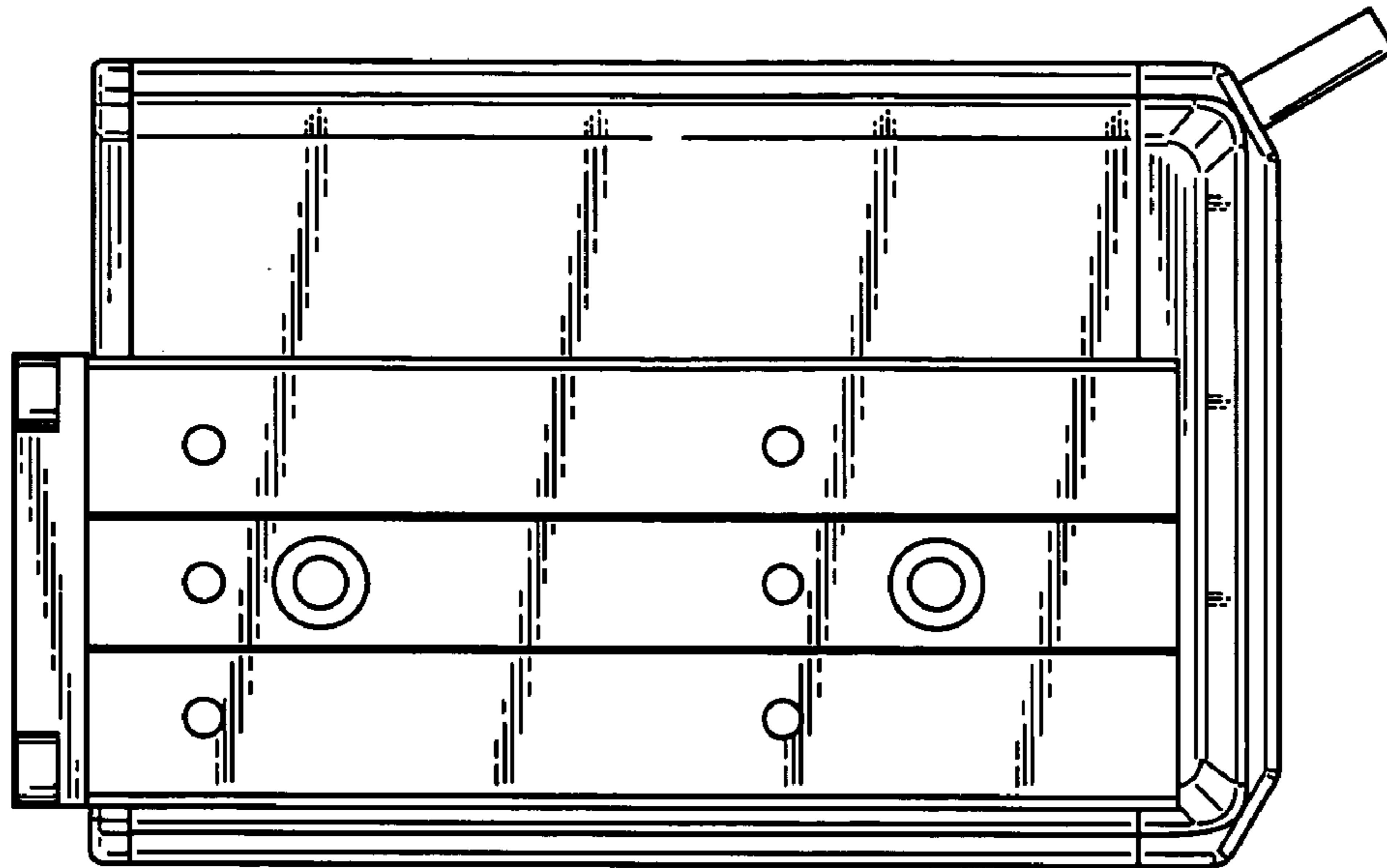


FIG. 4

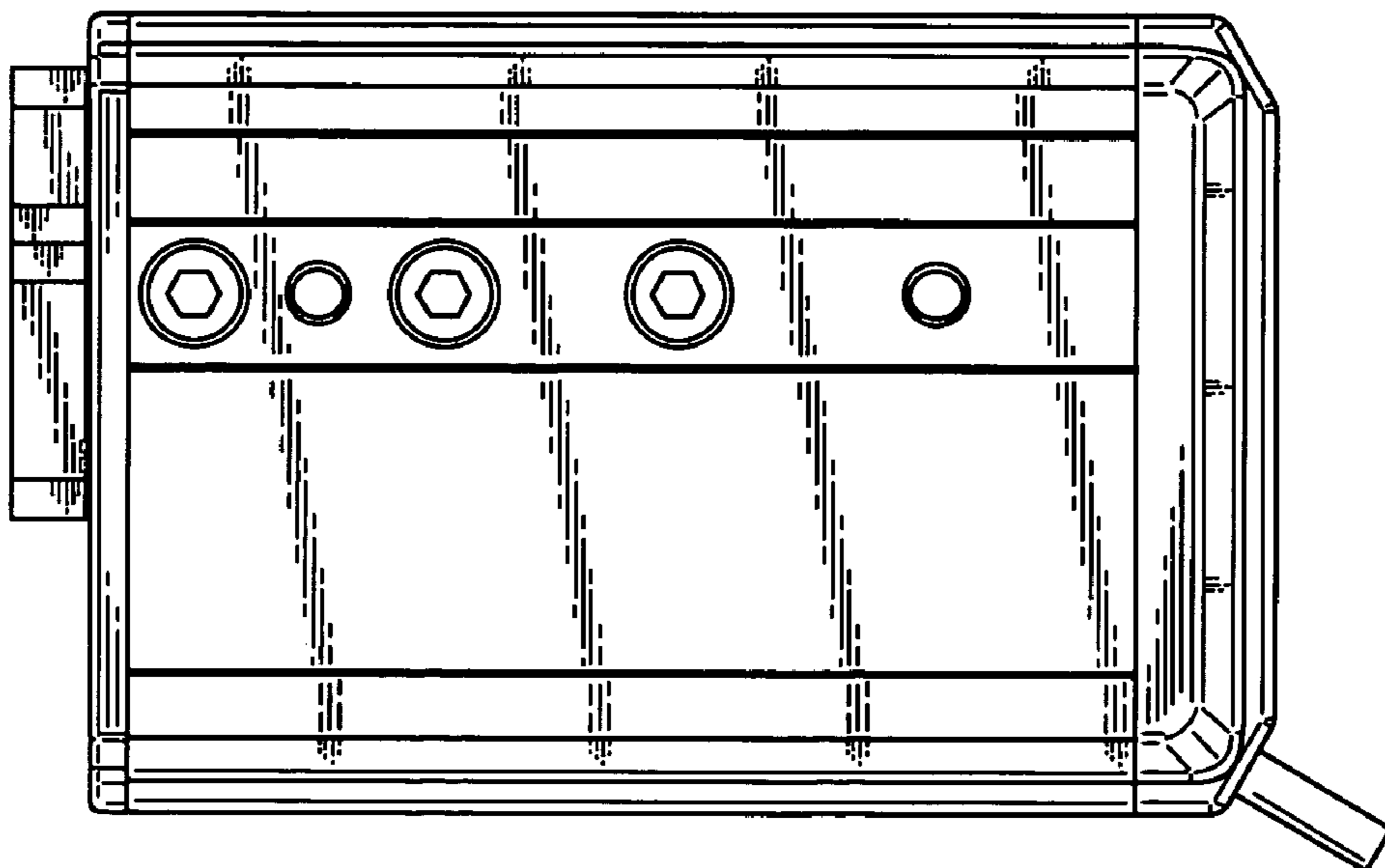


FIG. 5

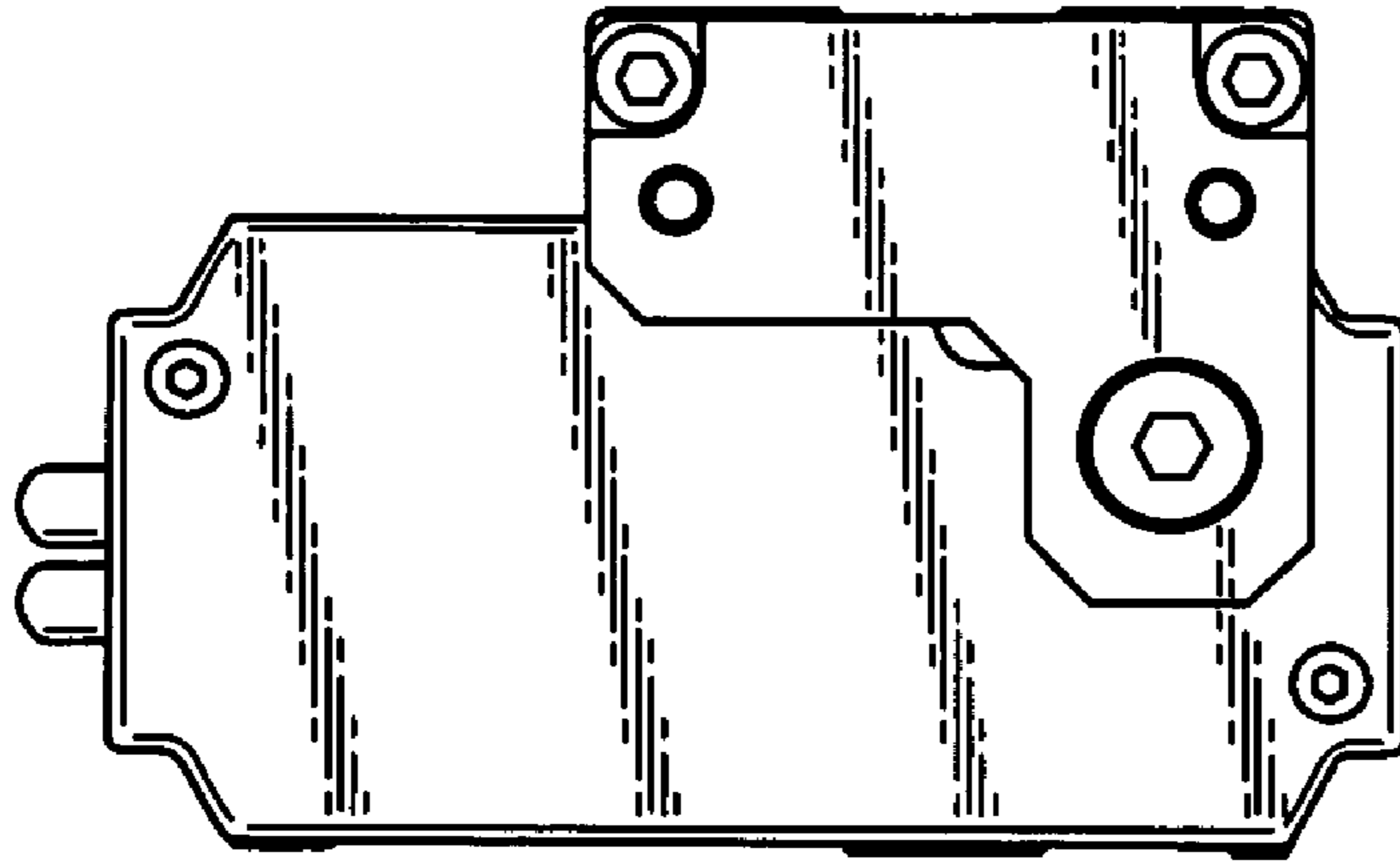


FIG. 6

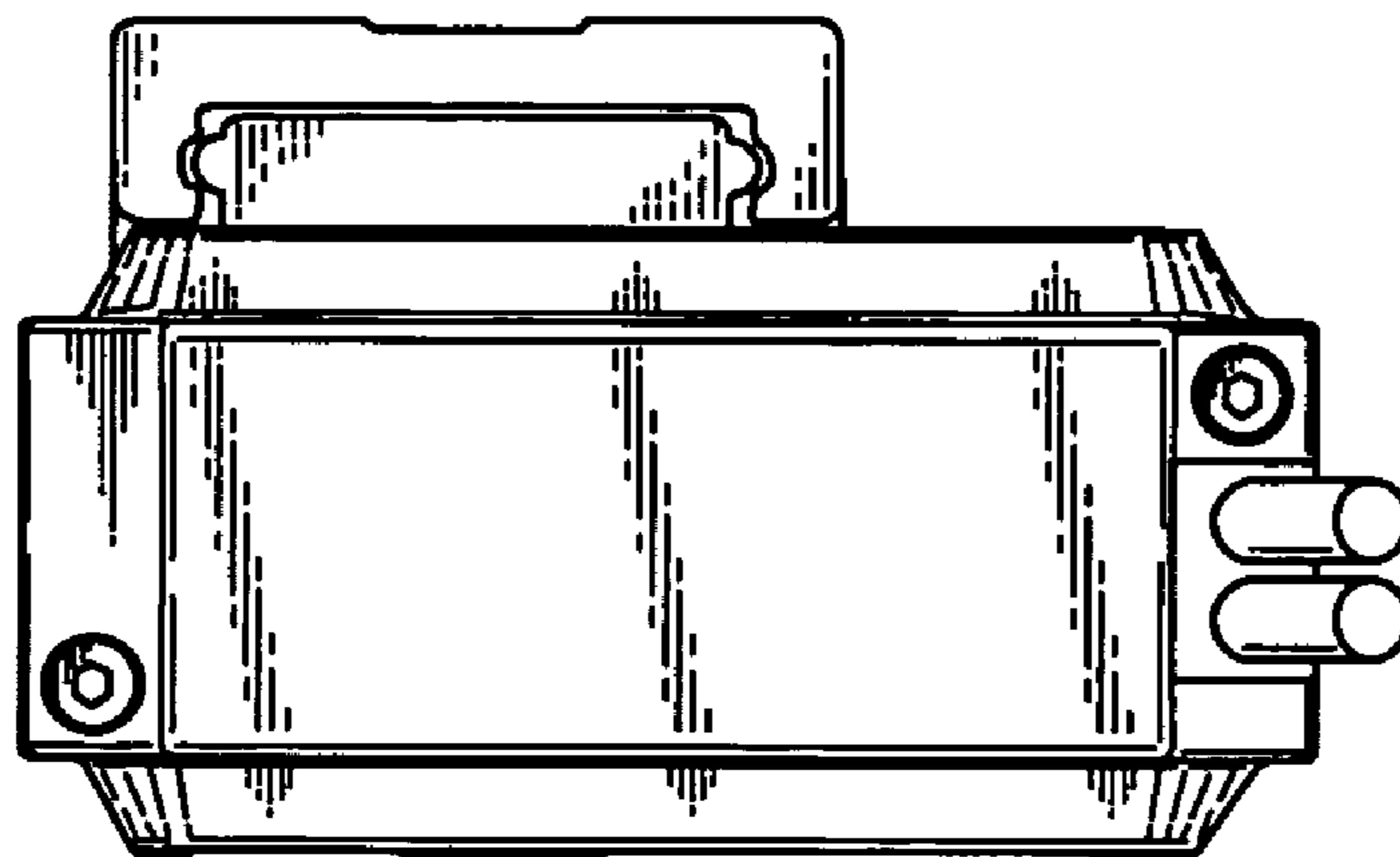


FIG. 7

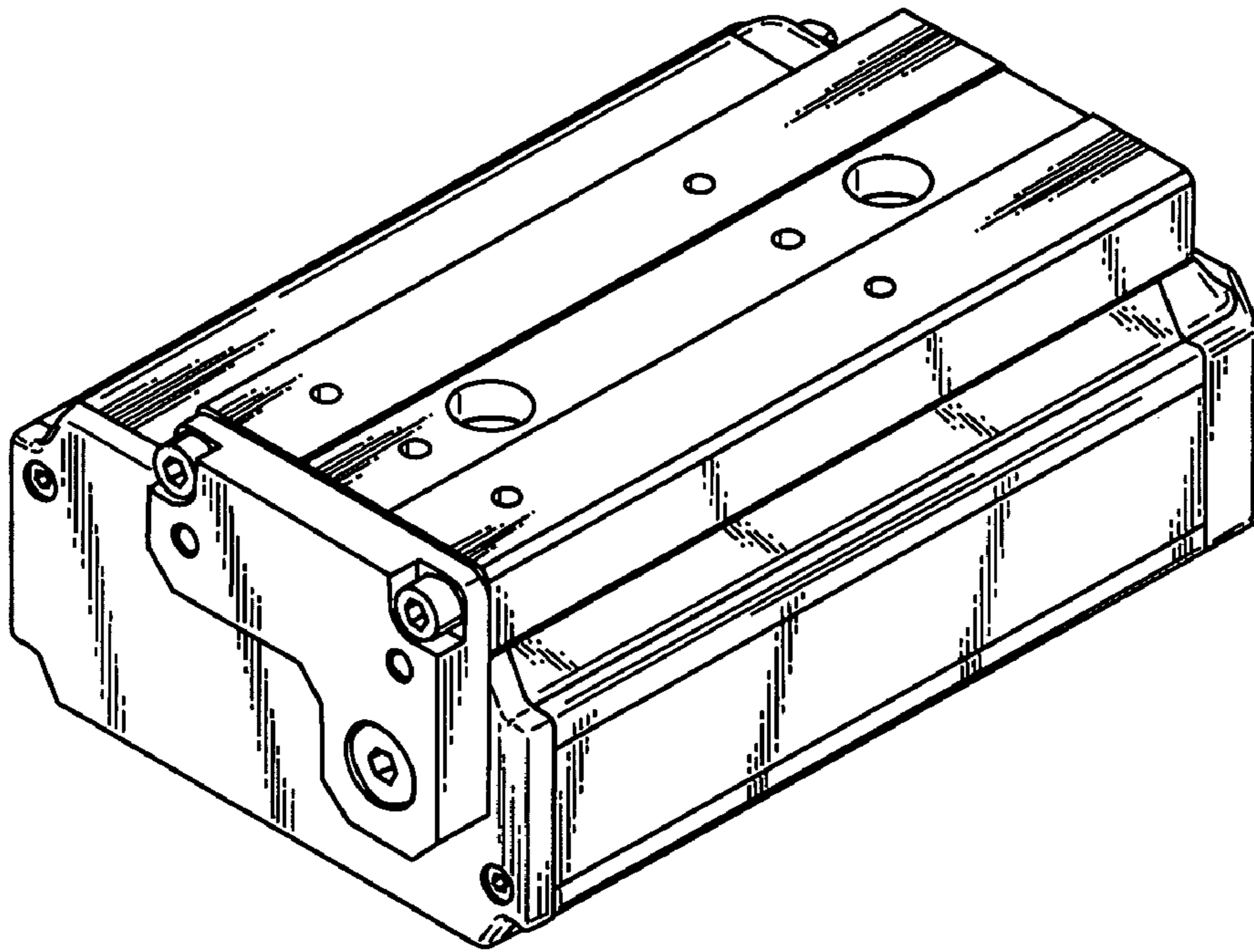


FIG. 8

