



US00D578145S

(12) **United States Design Patent**
Bernhardt

(10) **Patent No.:** **US D578,145 S**
(45) **Date of Patent:** **** Oct. 7, 2008**

(54) **ADJUSTABLE WORK STOP ASSEMBLY**

(75) Inventor: **Randy J. Bernhardt**, Dousman, WI
(US)

(73) Assignee: **Urban Manufacturing, Inc.**, Pewaukee,
WI (US)

(**) Term: **14 Years**

(21) Appl. No.: **29/271,611**

(22) Filed: **Jan. 23, 2007**

Related U.S. Application Data

(62) Division of application No. 29/215,734, filed on Oct.
26, 2004, now Pat. No. Des. 535,671.

(51) **LOC (8) Cl.** **15-09**

(52) **U.S. Cl.** **D15/140**

(58) **Field of Classification Search** D15/131,
D15/138, 140; 74/526; 248/248, 279, 285,
248/286; 269/71, 73, 76, 305, 315-320;
287/52.02; 403/234, 335

See application file for complete search history.

(56) **References Cited**

U.S. PATENT DOCUMENTS

- 1,068,170 A 7/1913 Royce
- 1,071,289 A 8/1913 Bader
- 2,450,931 A 10/1948 Bault
- 2,587,376 A * 2/1952 Pelly et al. 74/526
- 2,788,686 A 4/1957 Holt
- 2,823,567 A 2/1958 Pothier
- 2,849,240 A 8/1958 Sorensen
- 2,913,019 A 11/1959 Sprague
- 3,066,930 A * 12/1962 Chinnick 269/71
- D231,663 S 5/1974 Pingel
- 3,827,686 A 8/1974 Storkh
- D232,761 S 9/1974 Lanese
- D235,478 S * 6/1975 Armbruster D15/140
- D239,131 S 3/1976 Adler

- 3,961,557 A 6/1976 Jezowski
- 3,967,816 A 7/1976 Rampsperger et al.
- 4,030,718 A 6/1977 Philipoff
- D255,578 S 6/1980 Herczeg

(Continued)

FOREIGN PATENT DOCUMENTS

DE 43 21 387 1/1994

OTHER PUBLICATIONS

MSC Industrial Supply Co. catalog, 2004/2005, p. 1641.

Primary Examiner—Antoine D. Davis

Assistant Examiner—Patricia Palasik

(74) *Attorney, Agent, or Firm*—Ryan Kromholz & Manion,
S.C.

(57) **CLAIM**

The ornamental design for an adjustable work stop assembly,
as shown and described.

DESCRIPTION

FIG. 1 is a perspective view of an adjustable work stop assembly according to the present invention.

FIG. 2 is a front elevation view of the adjustable work stop assembly of FIG. 1, the rear elevation view being a mirror image thereof.

FIG. 3 is a left side view of the adjustable work stop assembly of FIG. 1.

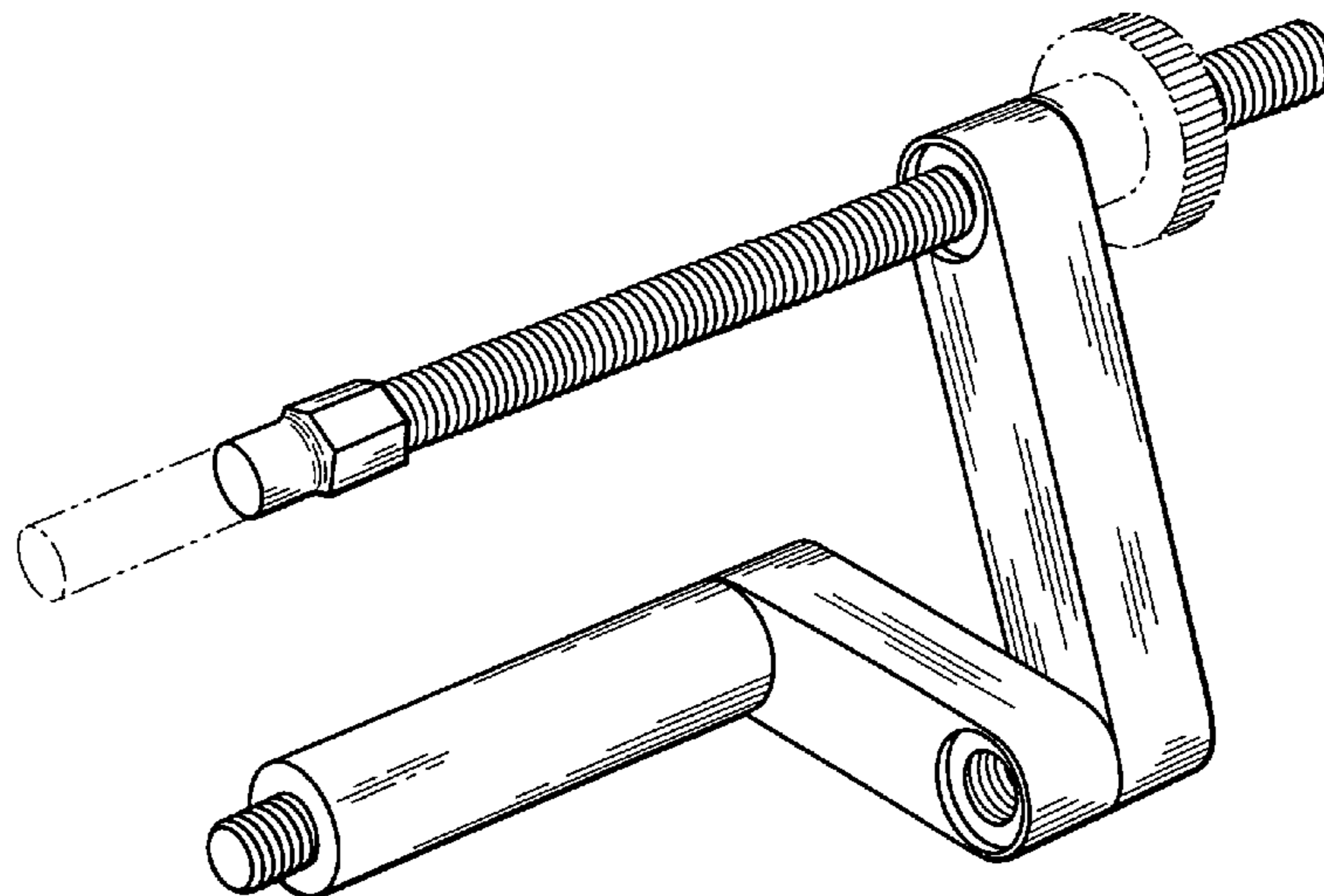
FIG. 4 is a right side view of the adjustable work stop assembly of FIG. 1.

FIG. 5 is a top plan view of the adjustable work stop assembly of FIG. 1; and,

FIG. 6 is a bottom plan view of the adjustable work stop assembly of FIG. 1.

The broken line showing is for illustrative purposes only and forms no part of the claimed design.

1 Claim, 2 Drawing Sheets



US D578,145 S

Page 2

U.S. PATENT DOCUMENTS

4,274,802	A	6/1981	Inaba et al.	5,816,568	A	10/1998	Fox
D264,216	S	5/1982	Saupe et al.	5,845,555	A	12/1998	Dawley
D269,518	S	6/1983	Karlan	6,079,703	A	6/2000	Chavez, Jr.
D271,772	S	12/1983	Grohowski	6,109,601	A *	8/2000	St. John, Sr. 269/71
D294,587	S	3/1988	Smith et al.	6,883,792	B2 *	4/2005	Cattell 269/71
D302,277	S	7/1989	Bishop	6,889,968	B1	5/2005	Wong
D336,481	S	6/1993	Silvia	D535,671	S *	1/2007	Bernhardt D15/140

* cited by examiner

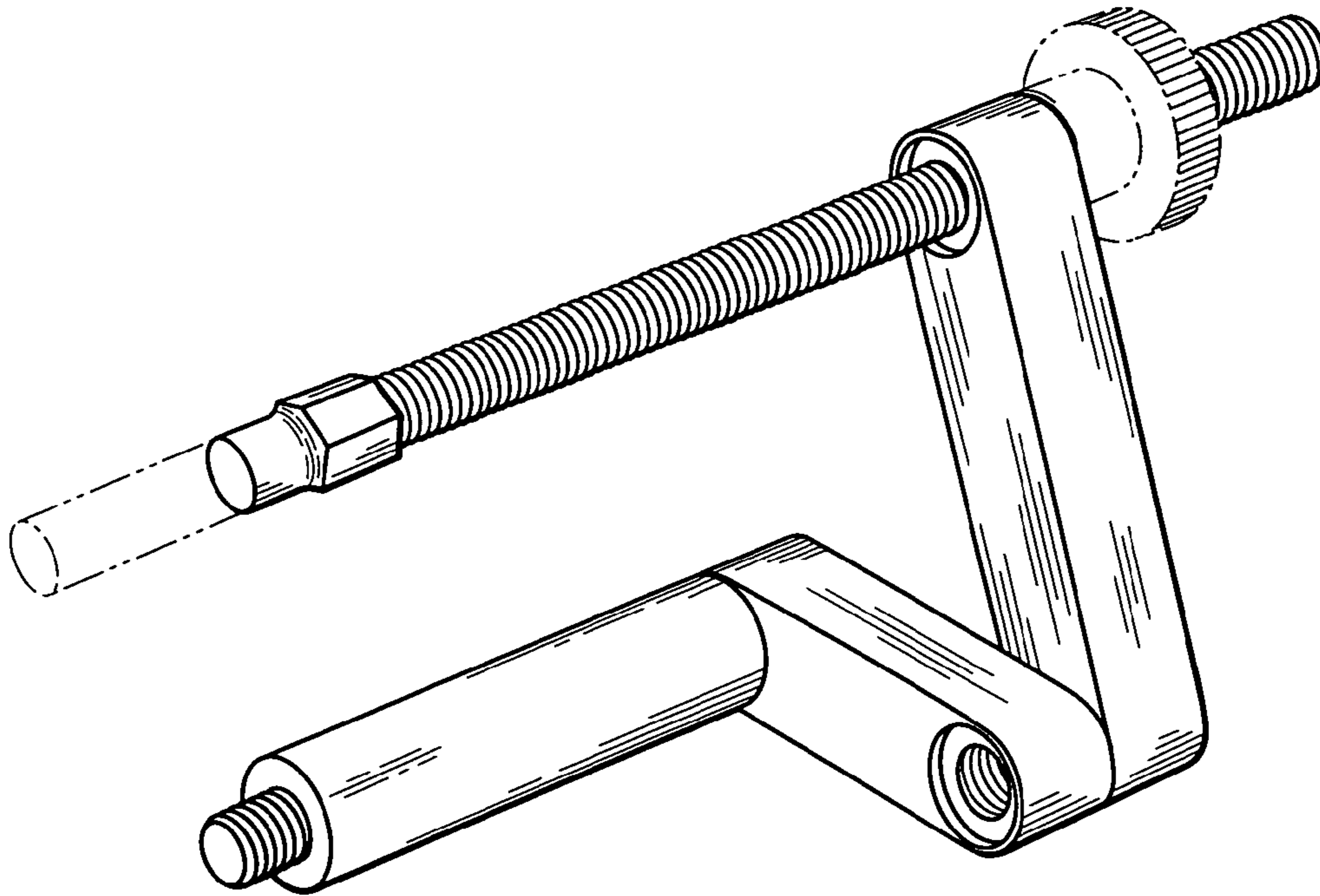


Fig. 1

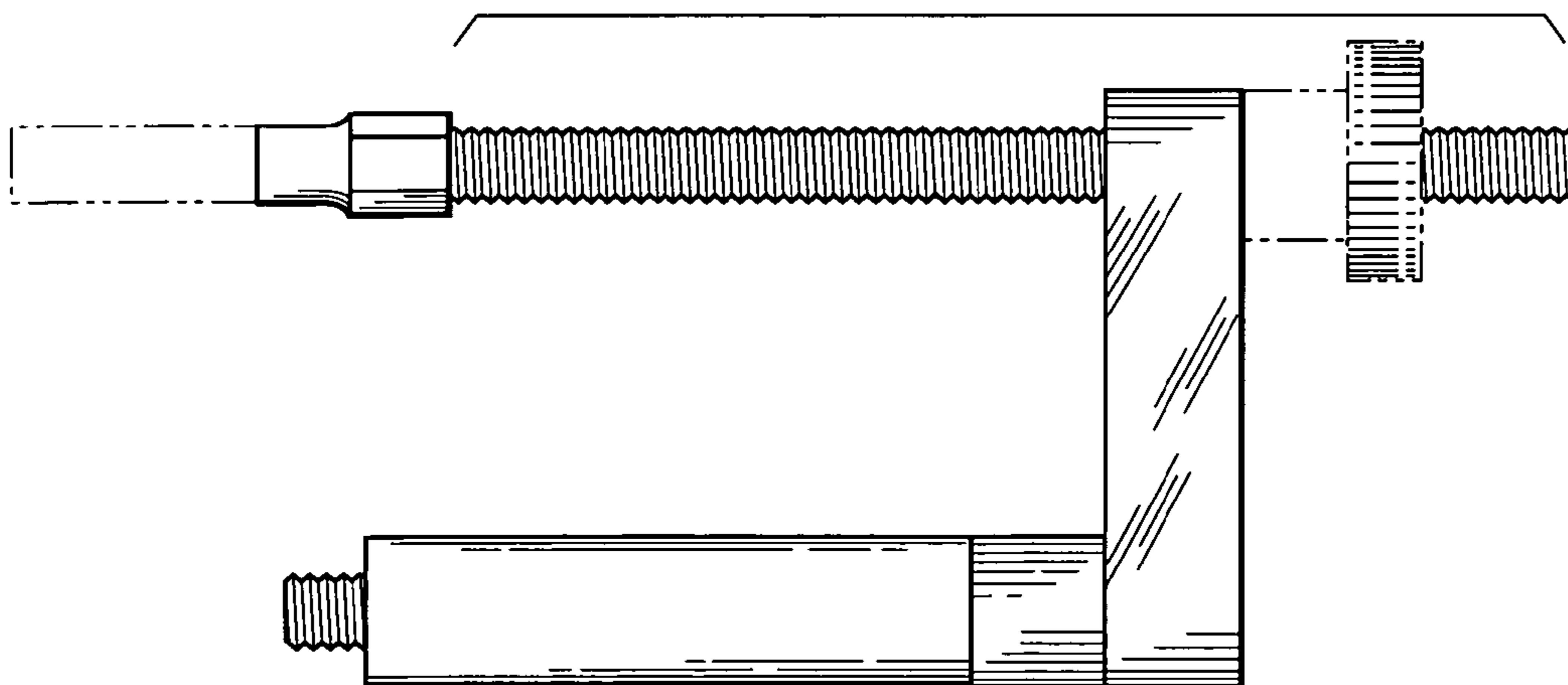


Fig. 2

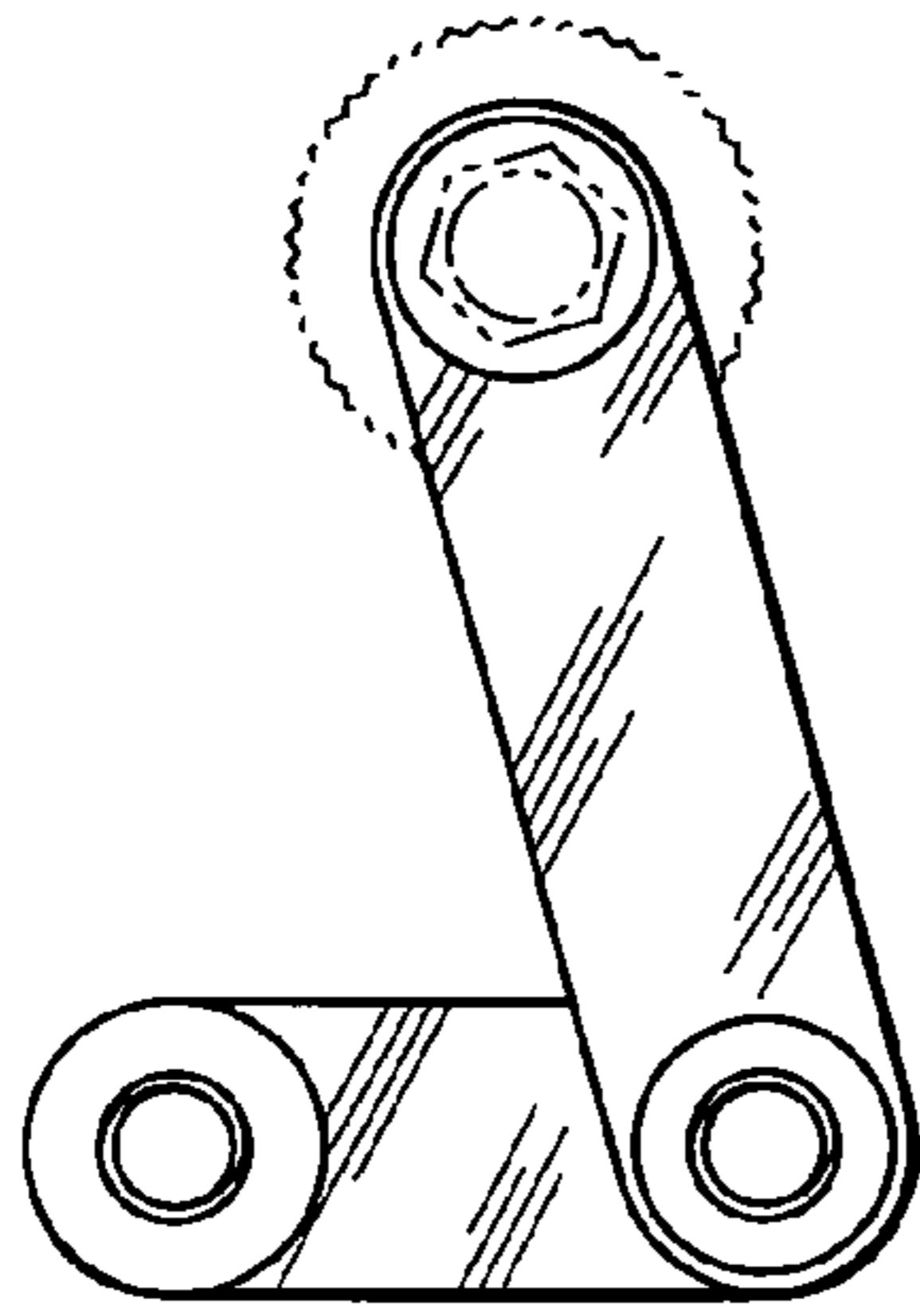


Fig. 3

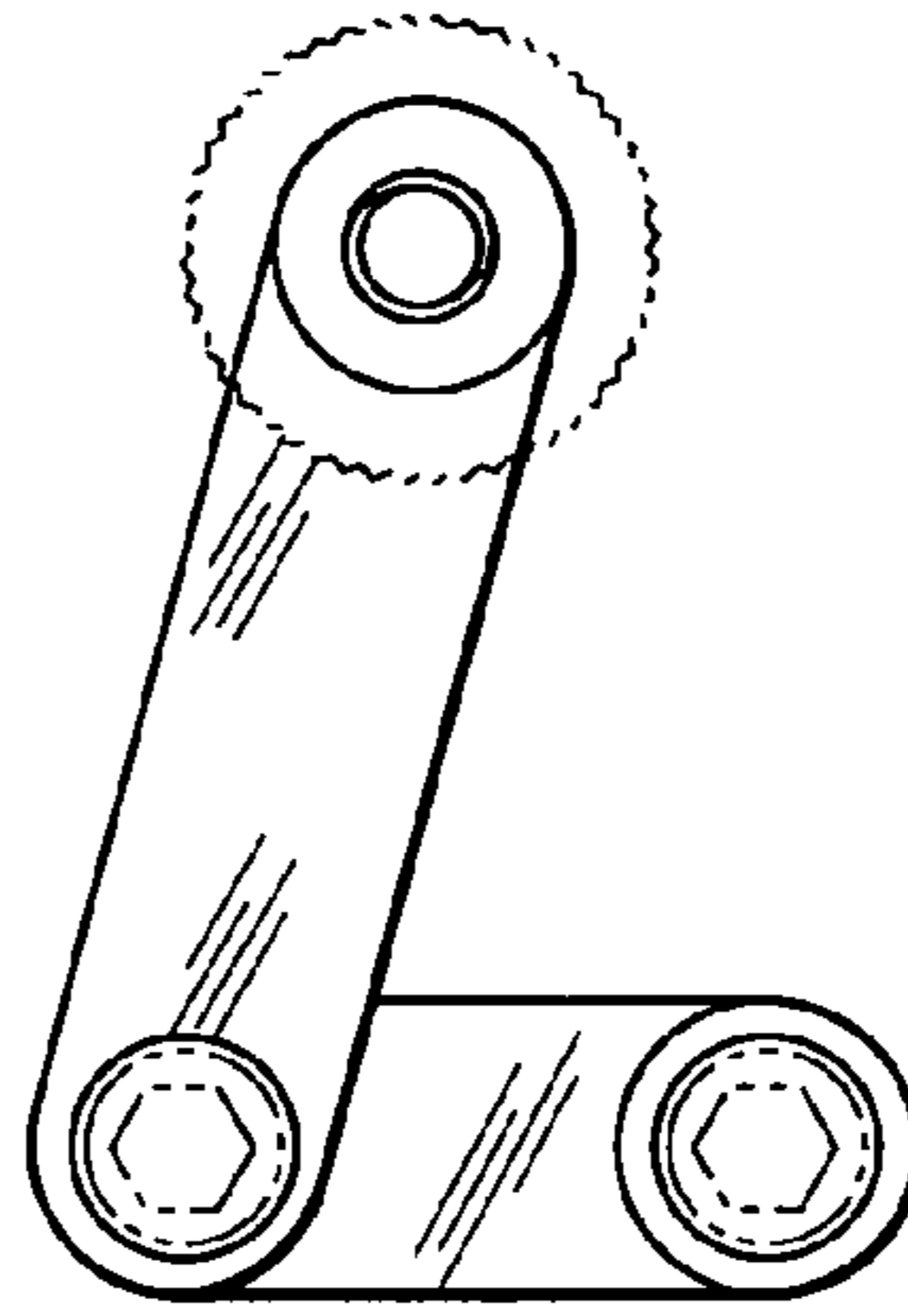


Fig. 4

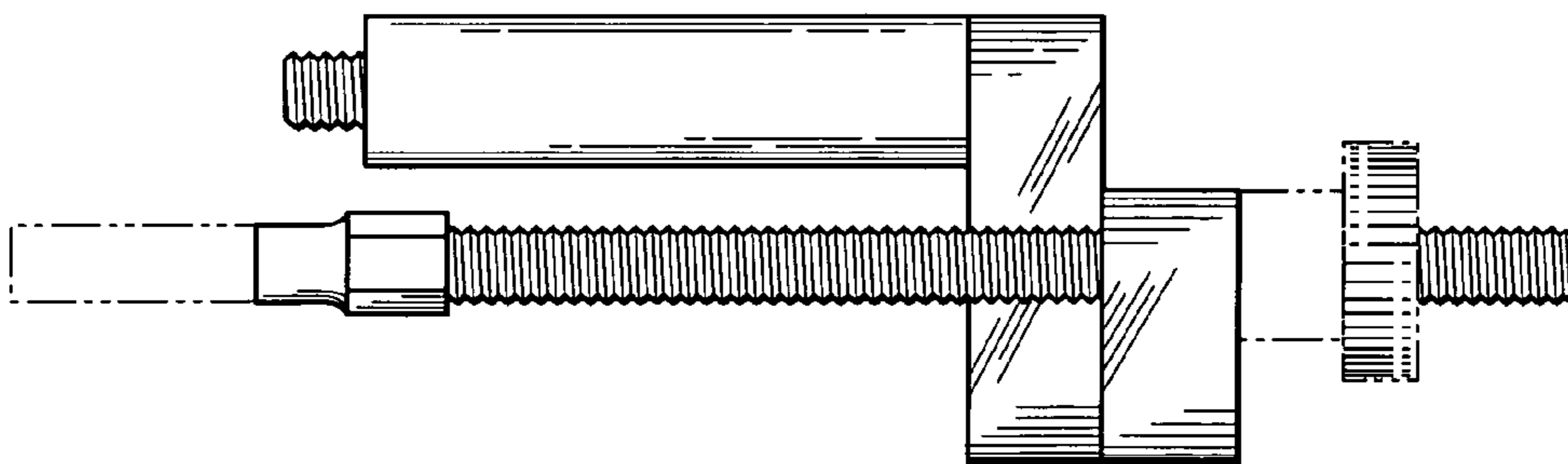


Fig. 5

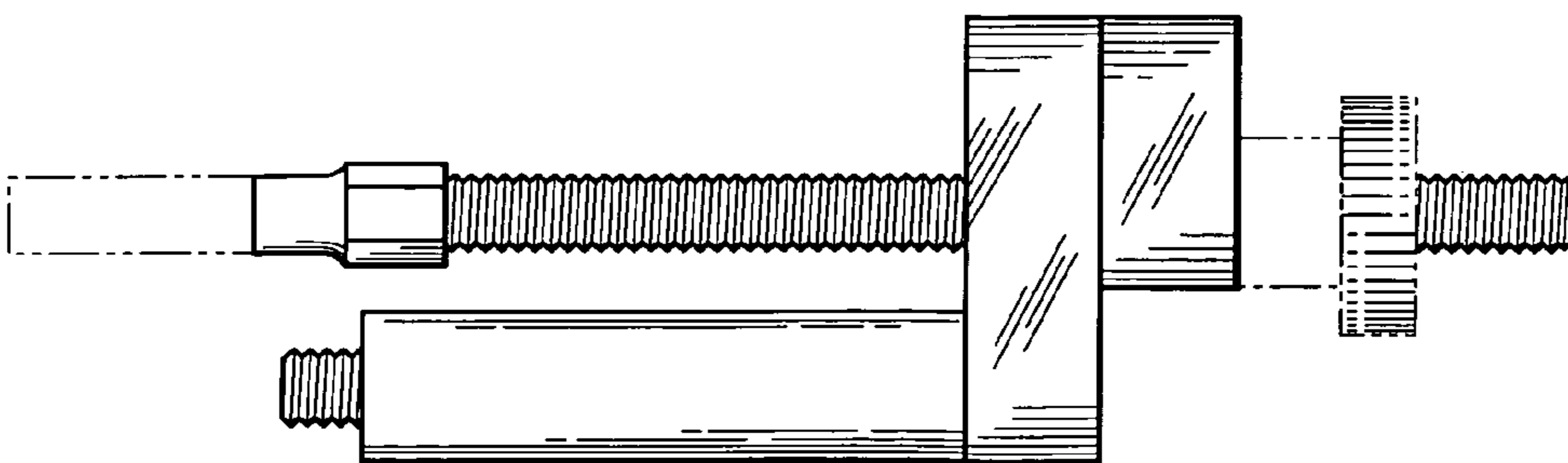


Fig. 6