



US00D578143S

(12) **United States Design Patent**  
**Rand et al.**

(10) **Patent No.:** **US D578,143 S**  
(45) **Date of Patent:** **\*\* Oct. 7, 2008**

(54) **CONTROL**

(75) Inventors: **Thomas W. Rand**, Cedarburg, WI (US);  
**Andrew J. Doberstein**, Hartford, WI  
(US); **Joseph H. Zyduck**, Mukwonago,  
WI (US); **Jennifer U. Straszewski**,  
Mequon, WI (US)

(73) Assignee: **U-Line Corporation**, Milwaukee, WI  
(US)

(\*\*) Term: **14 Years**

(21) Appl. No.: **29/306,046**

(22) Filed: **Apr. 1, 2008**

**Related U.S. Application Data**

(62) Division of application No. 29/259,053, filed on Apr.  
28, 2006, now Pat. No. Des. 570,885.

(51) **LOC (8) Cl.** ..... **15-07**

(52) **U.S. Cl.** ..... **D15/89**

(58) **Field of Classification Search** ..... D15/79,  
D15/80, 85-89, 91; D13/118, 162, 162.1,  
D13/164, 171, 177; D14/157, 257, 258,  
D14/371, 374, 381, 382, 441, 443, 485, 490;  
D7/406; D18/41, 54, 56; D32/28; D10/104,  
D10/106; D24/201; 62/3.1, 3.6, 3.63, 3.64,  
62/45.1, 98, 125, 275, 293, 331, 344, 371,  
62/440, 467, 529, 531; 312/4, 296; 200/156,  
200/196; 369/30.06

See application file for complete search history.

(56) **References Cited**

**U.S. PATENT DOCUMENTS**

D330,214 S 10/1992 Antonacci et al.  
D334,542 S 4/1993 Lowe et al.

D334,753 S 4/1993 Dziekan et al.  
D348,936 S 7/1994 Swick et al.  
D369,514 S 5/1996 Baldwin  
D380,212 S \* 6/1997 Colby ..... D14/443  
D387,332 S 12/1997 Harrison  
D396,845 S 8/1998 Caldes et al.  
D434,734 S 12/2000 Davis et al.

(Continued)

*Primary Examiner*—Stella M. Reid

(74) *Attorney, Agent, or Firm*—Quarles & Brady LLP

(57) **CLAIM**

The ornamental design for a control, as shown and described.

**DESCRIPTION**

In a preferred embodiment, the nature of this product is as a control, for example an electronic control for controlling the refrigeration components of a cooling unit, such as a compact refrigerator, freezer, beverage cooler, ice maker, combinations thereof and the like.

FIG. 1 is a right, top, front perspective view of a first embodiment control according to our new design;

FIG. 2 is a front elevational thereof;

FIG. 3 is a top plan view thereof;

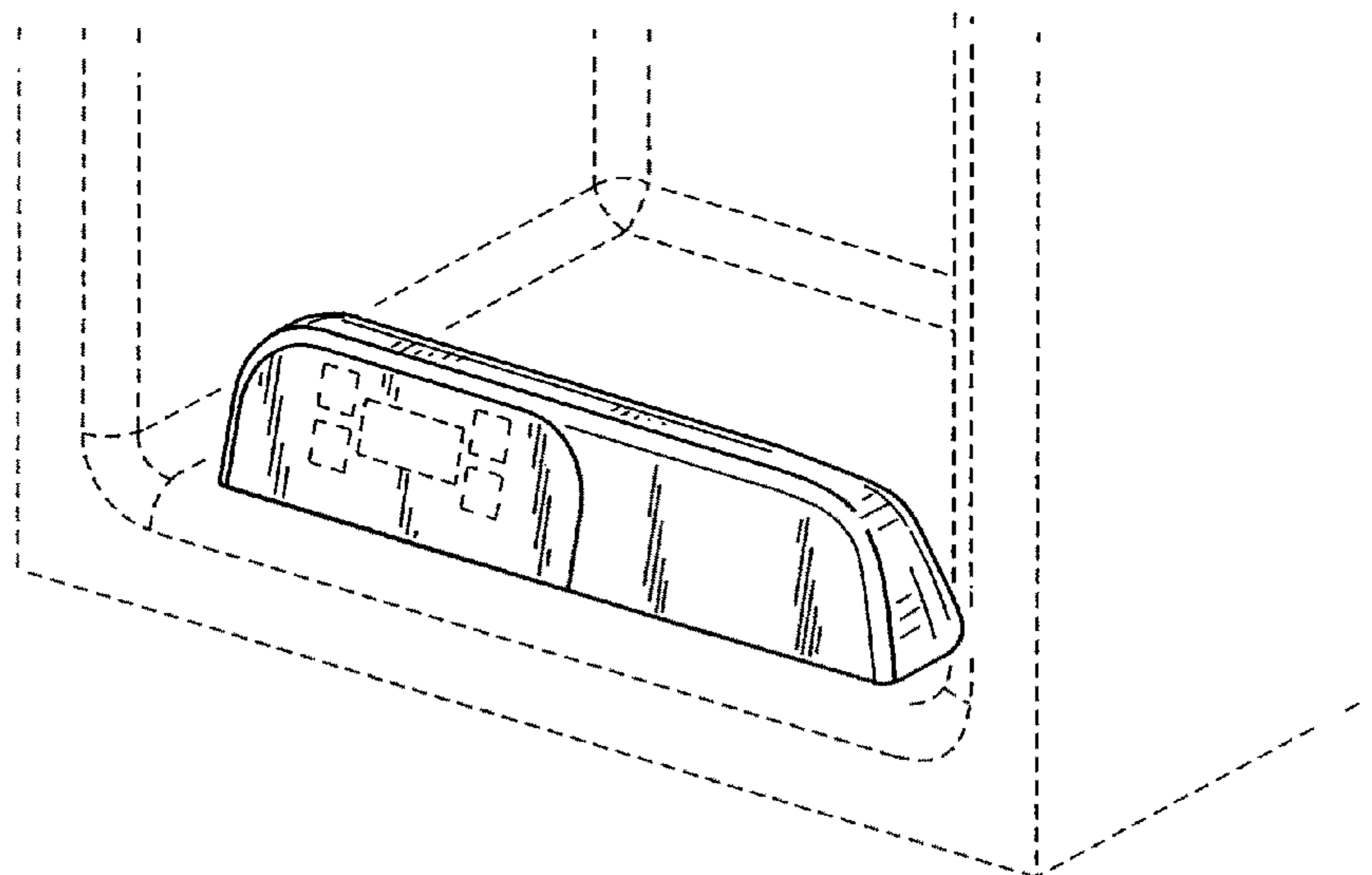
FIG. 4 is rear elevational view thereof;

FIG. 5 is a bottom plan view thereof; and,

FIG. 6 is a front elevational view of a second embodiment of the control wherein the front perspective, top plan, rear elevational and bottom plan views are mirror images of FIGS. 1 and 3 through 5.

The broken lines shown in the drawing disclosure are for illustrative purposes only and form no part of the claimed design.

**1 Claim, 3 Drawing Sheets**



# US D578,143 S

Page 2

---

## U.S. PATENT DOCUMENTS

D435,021 S	12/2000	Davis et al.	D549,664 S	8/2007	McDougal et al.
6,177,925 B1	1/2001	Soloway	D563,998 S *	3/2008	Doberstein et al. .... D15/89
D455,160 S	4/2002	Choi	D563,999 S *	3/2008	Doberstein et al. .... D15/89
D457,862 S	5/2002	Falk et al.	D564,000 S *	3/2008	Zyduck et al. .... D15/89
D472,882 S *	4/2003	Moye et al. .... D13/162	D565,063 S *	3/2008	Doberstein et al. .... D15/89
D477,825 S	7/2003	Nemoto et al.	2006/0209641 A1	9/2006	Navid
D487,670 S	3/2004	Moon et al.	2007/0159454 A1	7/2007	Rodriguez et al.
D513,153 S	12/2005	Austin et al.	2007/0187215 A1	8/2007	Lavigne et al.
D518,493 S	4/2006	Sato et al.	2007/0193865 A1	8/2007	No et al.
D525,632 S	7/2006	Jost et al.			

\* cited by examiner

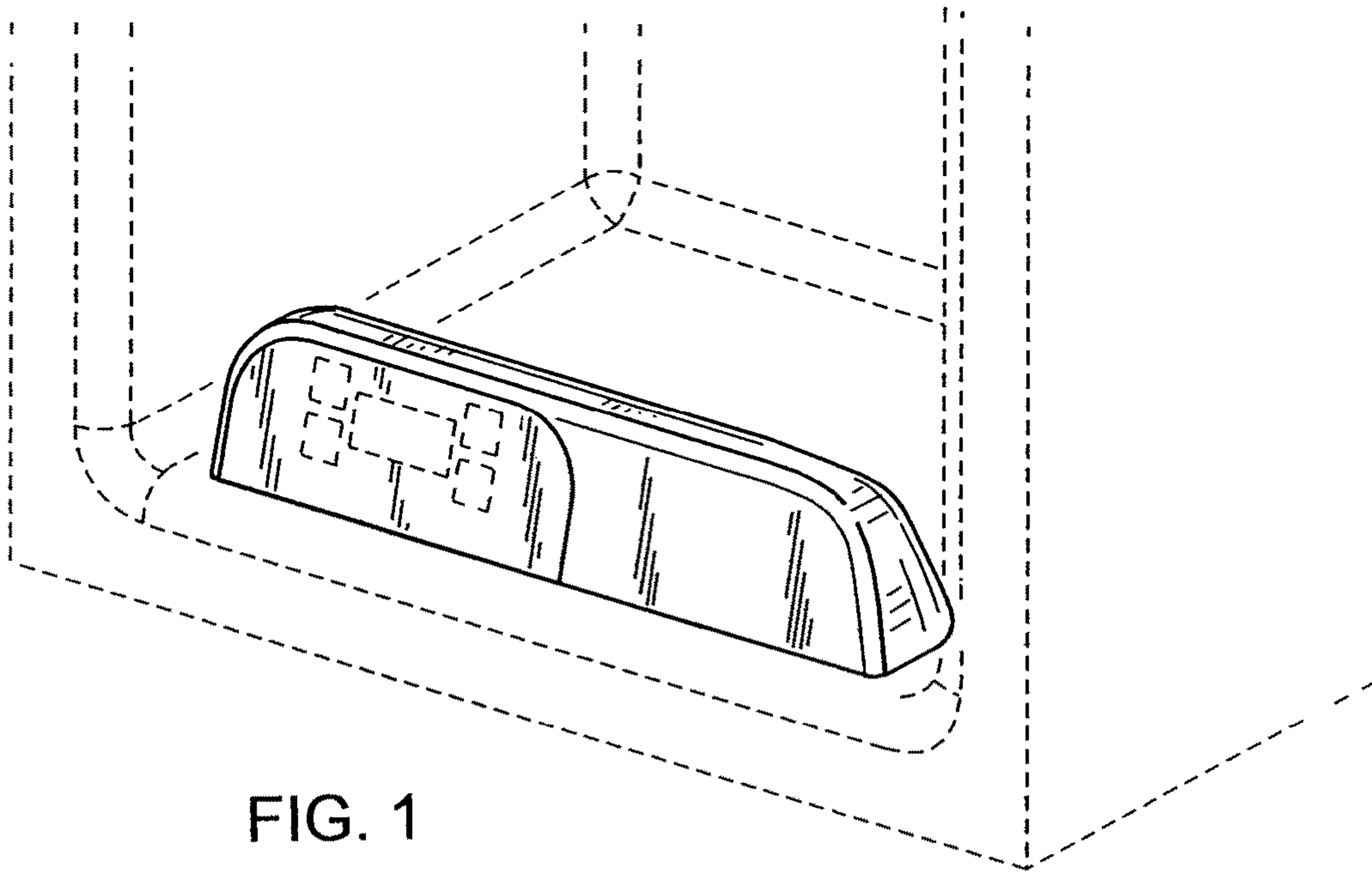


FIG. 1

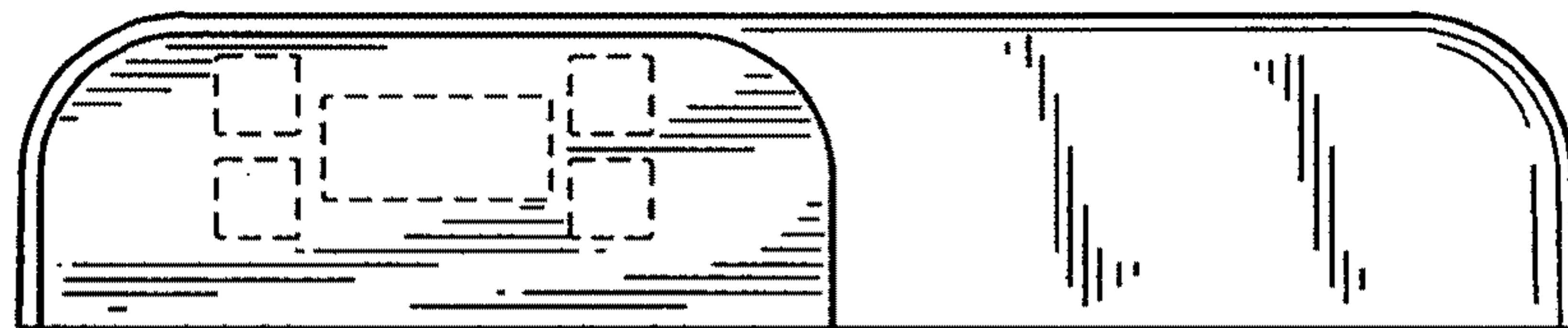


FIG. 2

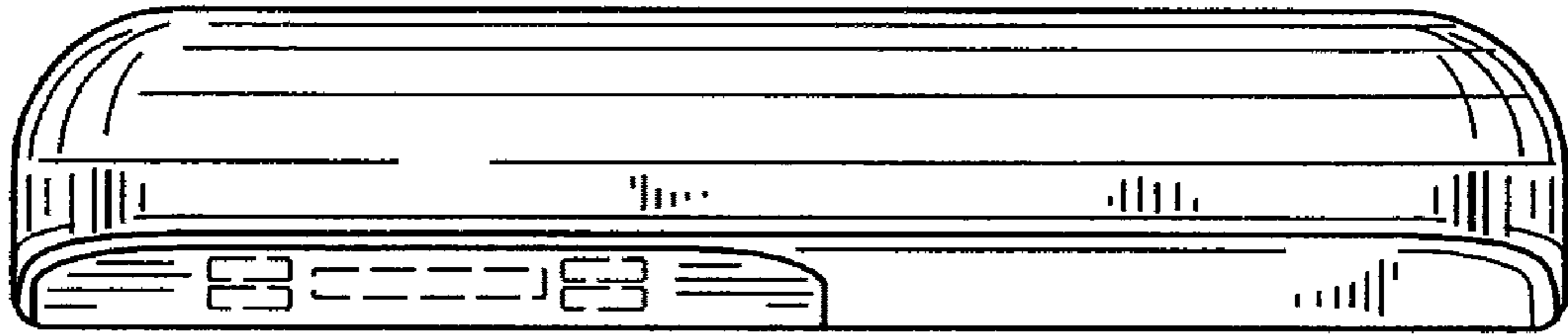


FIG. 3

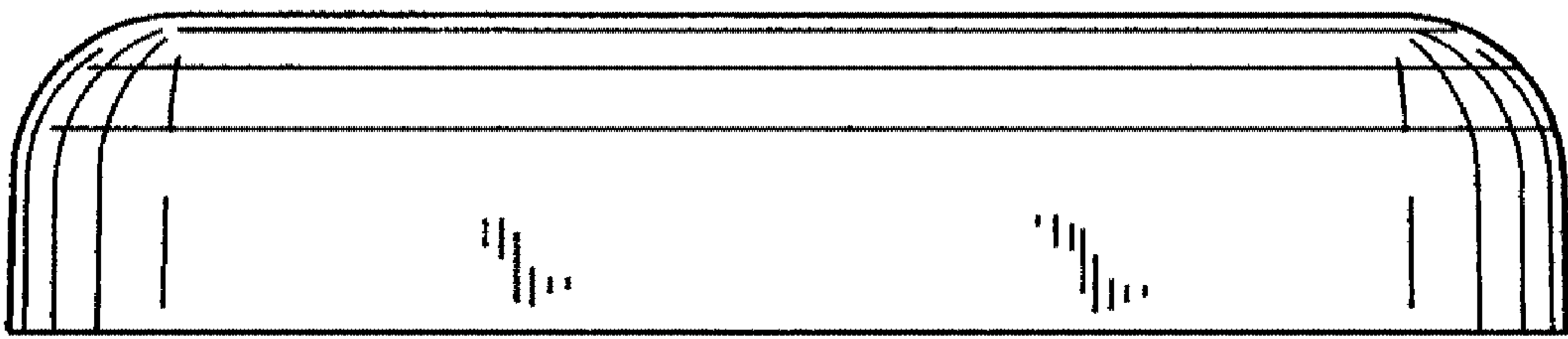


FIG. 4

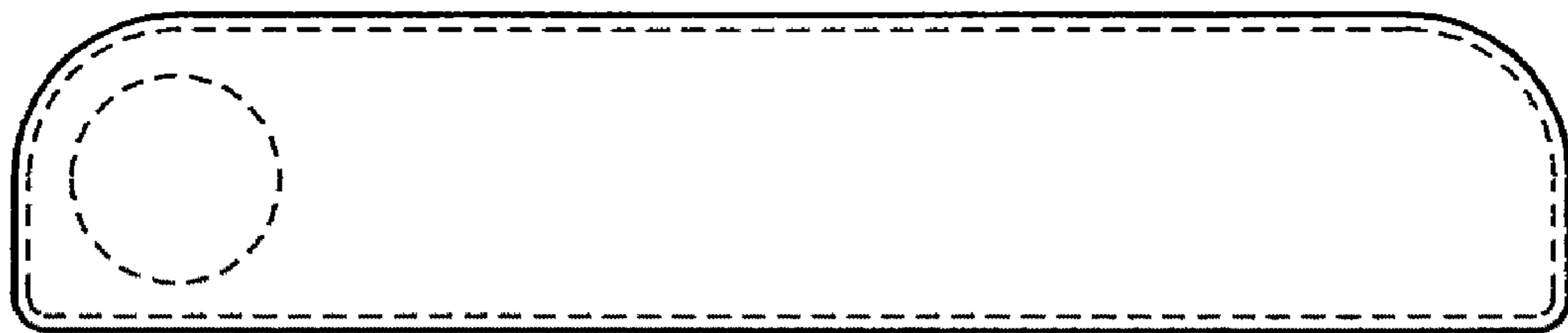


FIG. 5

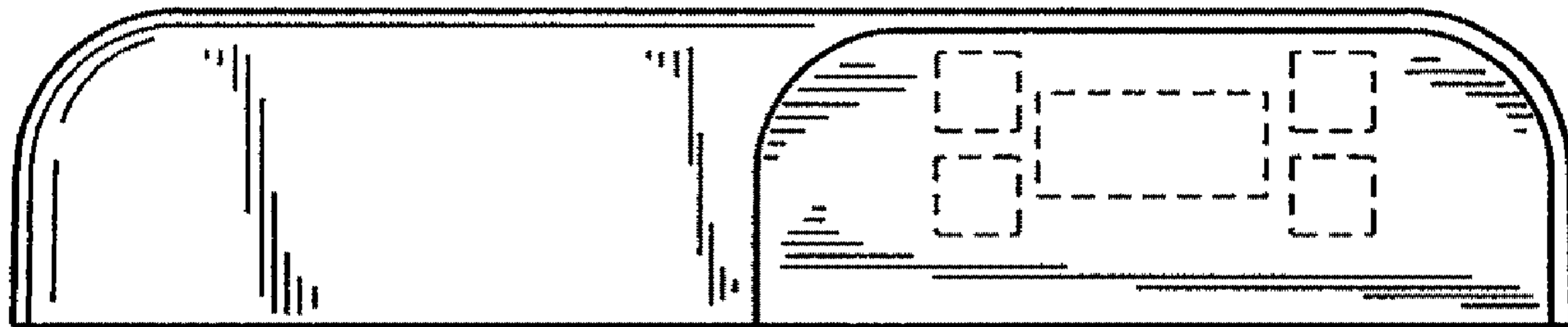


FIG. 6