



US00D578136S

(12) **United States Design Patent**
Sayre

(10) **Patent No.:** **US D578,136 S**

(45) **Date of Patent:** **** Oct. 7, 2008**

(54) **DISPLAY CALIBRATION ICON FOR A PORTION OF A DISPLAY DEVICE**

(75) Inventor: **Rick Sayre**, Kensington, CA (US)

(73) Assignee: **Pixar**, Emeryville, CA (US)

(**) Term: **14 Years**

(21) Appl. No.: **29/238,083**

(22) Filed: **Sep. 8, 2005**

(51) **LOC (8) Cl.** **14-04**

(52) **U.S. Cl.** **D14/489**

(58) **Field of Classification Search** D14/485-95;
D19/6; 715/500, 503-10, 517, 520, 539,
715/700, 705, 711, 714, 716-21, 725-6,
715/730-2, 759, 762, 764, 768-9, 773, 777,
715/780-1, 792-4, 797, 809, 864, 867, 900-8,
715/962-3, 968, 975, 977; 345/601-2, 629,
345/634, 646, 660-3, 674, 949, 960

See application file for complete search history.

(56) **References Cited**

U.S. PATENT DOCUMENTS

5,502,795	A *	3/1996	Shirouzu	358/1.9
5,752,057	A *	5/1998	Lifshitz et al.	715/523
5,977,981	A *	11/1999	Brown	345/581
6,249,272	B1 *	6/2001	Yagi et al.	345/601
6,583,935	B1 *	6/2003	Saif et al.	359/582
6,678,865	B1 *	1/2004	Pratley et al.	715/509
6,833,835	B1 *	12/2004	van Vugt	345/566
6,891,540	B2 *	5/2005	Liao et al.	345/441

7,034,819	B2 *	4/2006	Lee et al.	345/419
7,152,211	B1 *	12/2006	Fernandez et al.	715/767
2001/0020950	A1 *	9/2001	Shimizu et al.	345/611
2005/0264523	A1 *	12/2005	Yoshida et al.	345/156
2006/0107223	A1 *	5/2006	Mirtich et al.	715/764
2006/0203125	A1 *	9/2006	Sayre	348/459

OTHER PUBLICATIONS

ERICarts European Institute for Comparative Cultural Research, Pyramid of Representation, May 18, 2006, <http://www.web.archive.org/web/20060518171101/http://www.ericarts.org/web/empirical-research.php>.*

Clarence P. Hornung, Handbook of Designs and Devices, copyright 1932, p. 26.*

* cited by examiner

Primary Examiner—Cathron Brooks

Assistant Examiner—Angela J Lee

(74) *Attorney, Agent, or Firm*—Townsend and Townsend and Crew LLP

(57) **CLAIM**

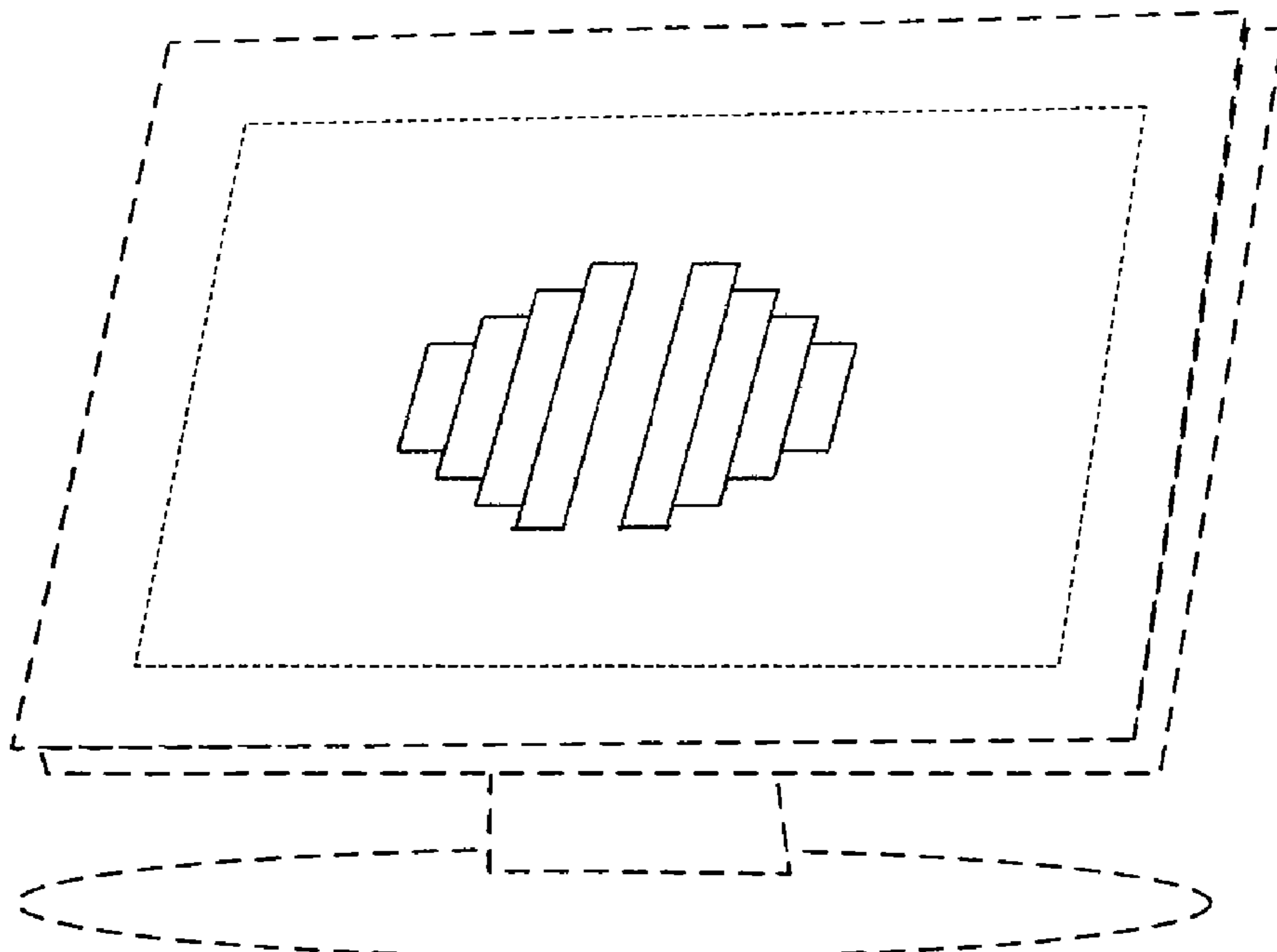
The ornamental design for a display calibration icon for a portion of a display device, as shown and described.

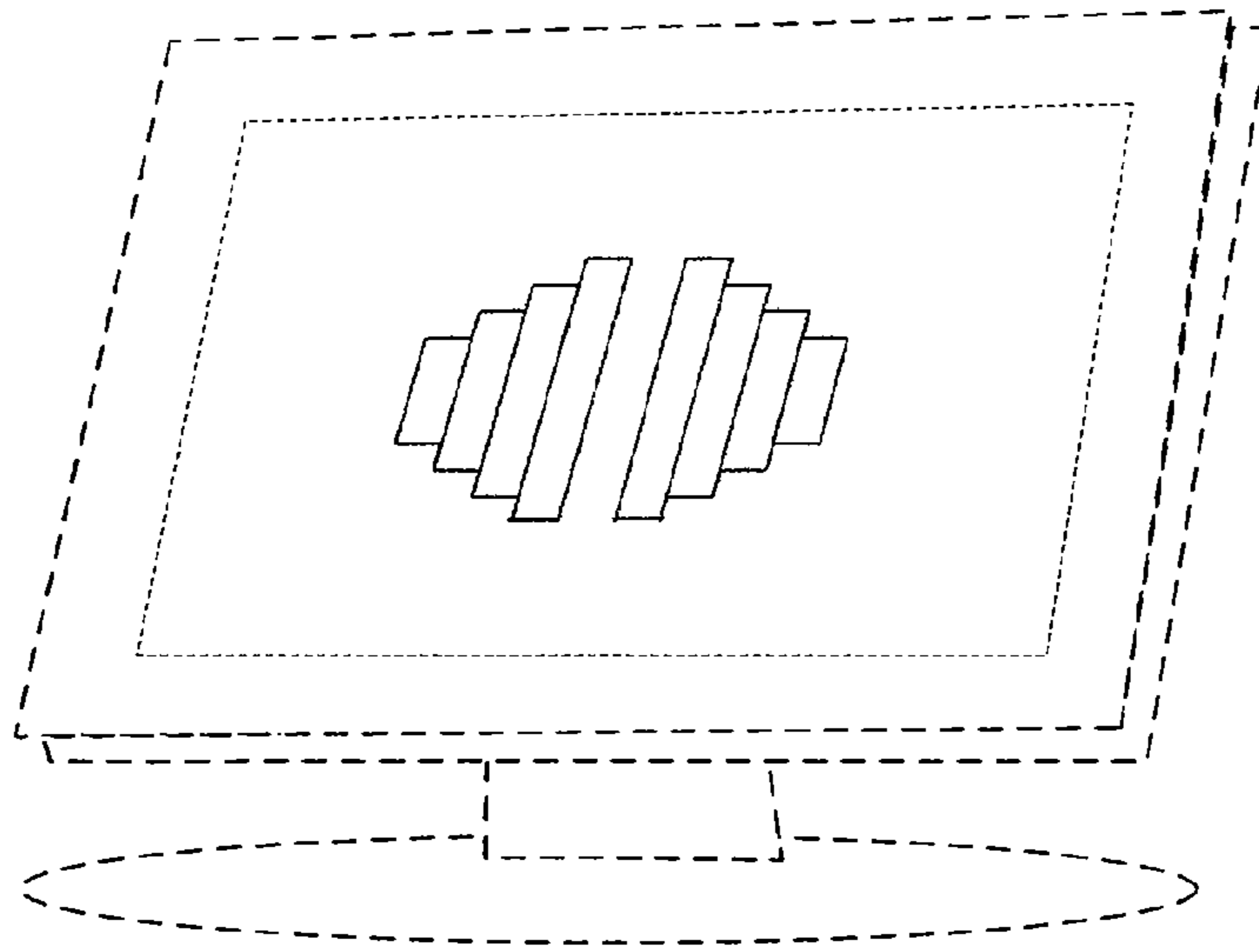
DESCRIPTION

The sole FIGURE is a perspective view of a display calibration icon for a portion of a display device showing my new design.

The broken lines showing the display device are included for the purpose of illustrating environment and form no part of the claimed design.

1 Claim, 1 Drawing Sheet





FIGURE