



US00D578131S

(12) **United States Design Patent**
Horito et al.

(10) **Patent No.:** **US D578,131 S**
(45) **Date of Patent:** **** Oct. 7, 2008**

- (54) **WALL MOUNTED TOUCH SCREEN FACEPLATE**
- (75) Inventors: **Michael Horito**, Provo, UT (US); **Tyler Allan**, Springville, UT (US); **Joseph Olson**, Midway, UT (US)
- (73) Assignee: **Control4 Corporation**, Draper, UT (US)
- (**) Term: **14 Years**
- (21) Appl. No.: **29/266,019**
- (22) Filed: **Sep. 12, 2006**
- (51) **LOC (8) Cl.** **14-03**
- (52) **U.S. Cl.** **D14/450**
- (58) **Field of Classification Search** D14/448,
D14/450, 451, 452, 439, 447, 432, 371, 373,
D14/374, 375, 127, 217, 239, 251, 900, 901,
D14/902; D8/363, 380, 373; 248/133, 139,
248/398, 371, 176.1, 274.1, 284.1, 313, 346.03,
248/917, 918, 919, 920, 921, 922, 923, 924,
248/201, 205.1, 220.21, 223.31, 276.1, 281.11,
248/286.1, 309.1, 323, 324, 349.1, 425; 348/825;
361/681
See application file for complete search history.

- (56) **References Cited**
U.S. PATENT DOCUMENTS
D348,055 S * 6/1994 Basco et al. D14/450
D358,587 S * 5/1995 Solero D14/450

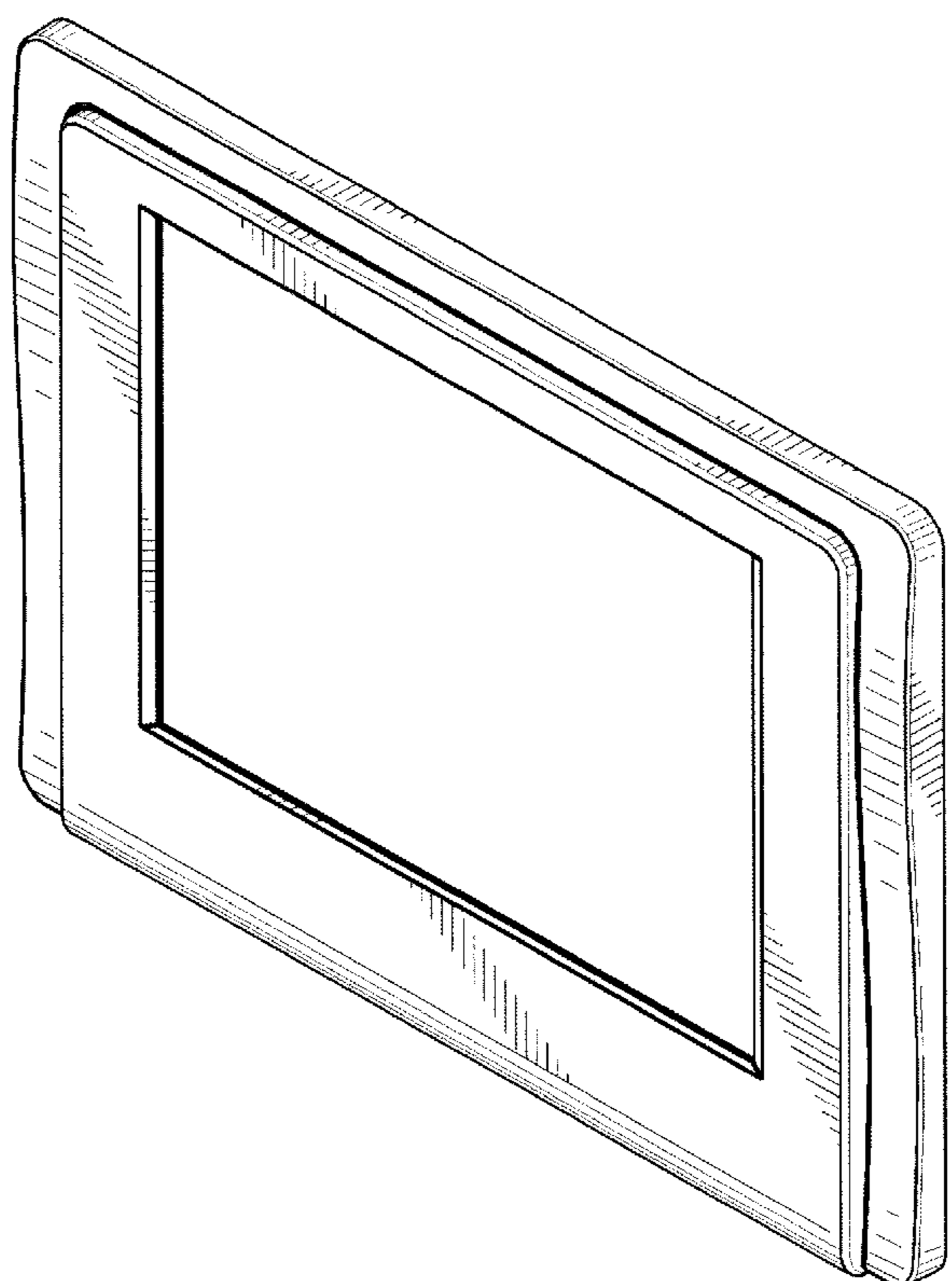
- D372,591 S * 8/1996 Brunner et al. D6/300
- D454,882 S * 3/2002 Jung D14/450
- D463,779 S * 10/2002 Cobian et al. D14/450
- D481,207 S * 10/2003 Sheldon et al. D6/300
- D482,696 S * 11/2003 Maynard D14/450
- D495,706 S * 9/2004 Lin et al. D14/374
- D519,117 S * 4/2006 Lewis D14/374
- 7,106,578 B2 * 9/2006 Chen 361/681
- D555,656 S * 11/2007 Bishop et al. D14/448
- D558,270 S * 12/2007 Beno D19/52
- D560,369 S * 1/2008 Chiang D6/300

* cited by examiner
Primary Examiner—Jennifer Rivard
Assistant Examiner—Angela J Lee
 (74) *Attorney, Agent, or Firm*—Thorpe North & Western LLP

(57) **CLAIM**
 The ornamental design for a wall mounted touch screen faceplate, as shown and described.

DESCRIPTION
 FIG. 1 is a perspective view of the wall mounted touch screen faceplate;
 FIG. 2 is a top view thereof;
 FIG. 3 is an orthogonal face view thereof;
 FIG. 4 is a bottom view thereof; and,
 FIG. 5 is a side view thereof; the opposing side view being a mirror image thereof.

1 Claim, 3 Drawing Sheets



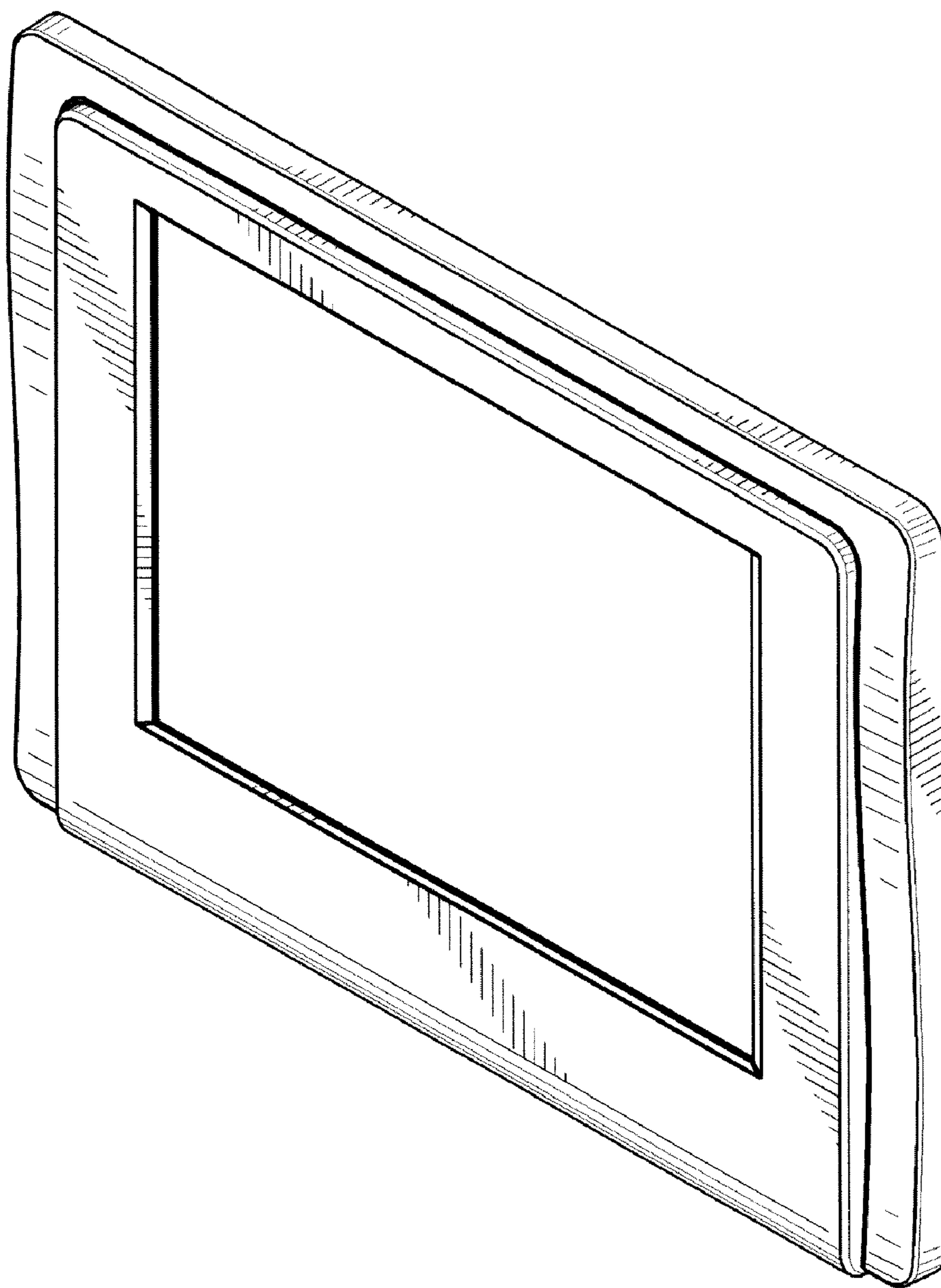


FIG. 1

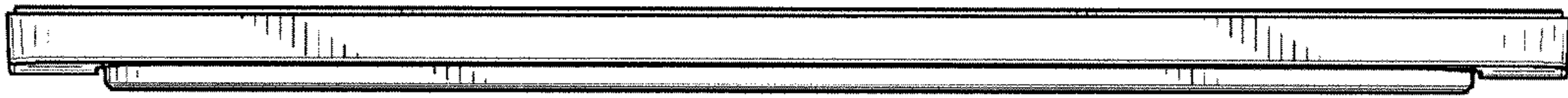


FIG. 2

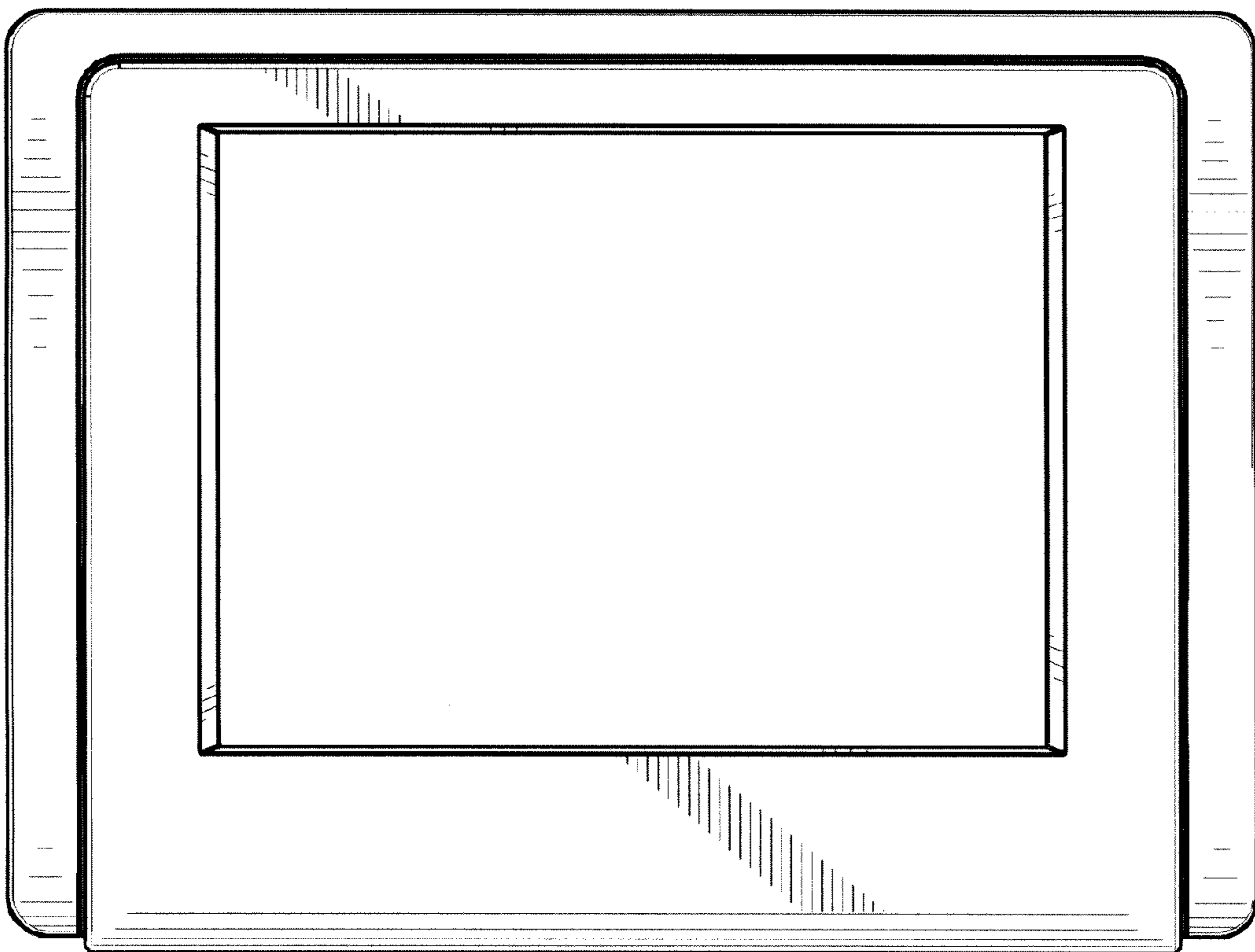


FIG. 3

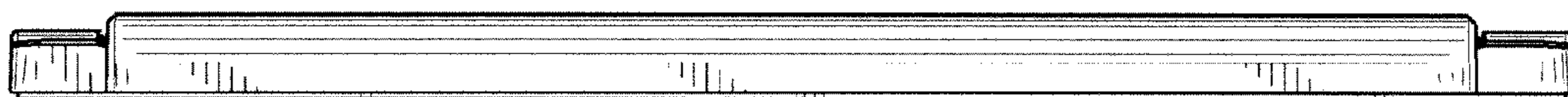


FIG. 4

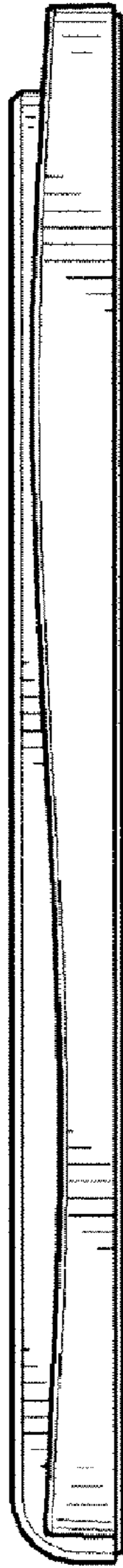


FIG. 5