



US00D578130S

(12) **United States Design Patent**  
**Sween et al.**

(10) **Patent No.:** **US D578,130 S**  
(45) **Date of Patent:** **\*\* Oct. 7, 2008**

(54) **LAPTOP COMPUTER SUPPORT**

2007/0215779 A1\* 9/2007 Traun ..... 248/460

(75) Inventors: **Barry Sween**, Santa Monica, CA (US);  
**Jamie Elgie**, Irvine, CA (US)

**OTHER PUBLICATIONS**

Review: Belkin Cushtop Laptop Stand, Sep. 30, 2007, <http://www.philoking.com/2007/09/30/review-belkin-cushtop-laptop-stand>.\*

(73) Assignee: **Belkin International, Inc.**, Compton, CA (US)

\* cited by examiner

(\*\*) Term: **14 Years**

*Primary Examiner*—Jennifer Rivard  
*Assistant Examiner*—Angela J Lee

(21) Appl. No.: **29/289,811**

(74) *Attorney, Agent, or Firm*—Bryan Cave LLP

(22) Filed: **Aug. 1, 2007**

(57) **CLAIM**

(51) **LOC (8) Cl.** ..... **14-03**

I claim the ornamental design for the laptop computer support, as shown and described.

(52) **U.S. Cl.** ..... **D14/447**

(58) **Field of Classification Search** ..... D14/432,  
D14/434, 439, 448, 457, 447, 451, 452; D6/396,  
D6/419, 420, 473, 474, 512; D19/92, 95;  
D23/370, 387; 248/917, 918, 919, 920, 921,  
248/922, 923, 924, 371, 393, 398, 176.1,  
248/176.2, 176.3, 188.6, 346.01, 346.03,  
248/346.06, 346.3, 346.4, 346.5, 441.1, 454,  
248/455, 456, 460; 312/223.3; 361/680,  
361/681, 683, 687, 688, 693, 694, 695; D13/179  
See application file for complete search history.

**DESCRIPTION**

(56) **References Cited**

**U.S. PATENT DOCUMENTS**

D283,323	S	*	4/1986	Cervero	.....	D14/451
D312,359	S	*	11/1990	Bradley	.....	D6/420
4,991,817	A	*	2/1991	VonKleist et al.	.....	248/676
D328,985	S	*	9/1992	Sheldon	.....	D6/406.4
D351,748	S	*	10/1994	Stein et al.	.....	D6/511
5,393,030	A	*	2/1995	Tarozzi	.....	248/460
5,542,640	A	*	8/1996	Tarozzi	.....	248/460
6,170,222	B1	*	1/2001	Miller	.....	52/749.12
7,207,540	B2	*	4/2007	Thomas	.....	248/346.01
7,261,270	B2	*	8/2007	Chen et al.	.....	248/346.03
D555,655	S	*	11/2007	Iu	.....	D14/447
2004/0256535	A1	*	12/2004	Desch	.....	248/460

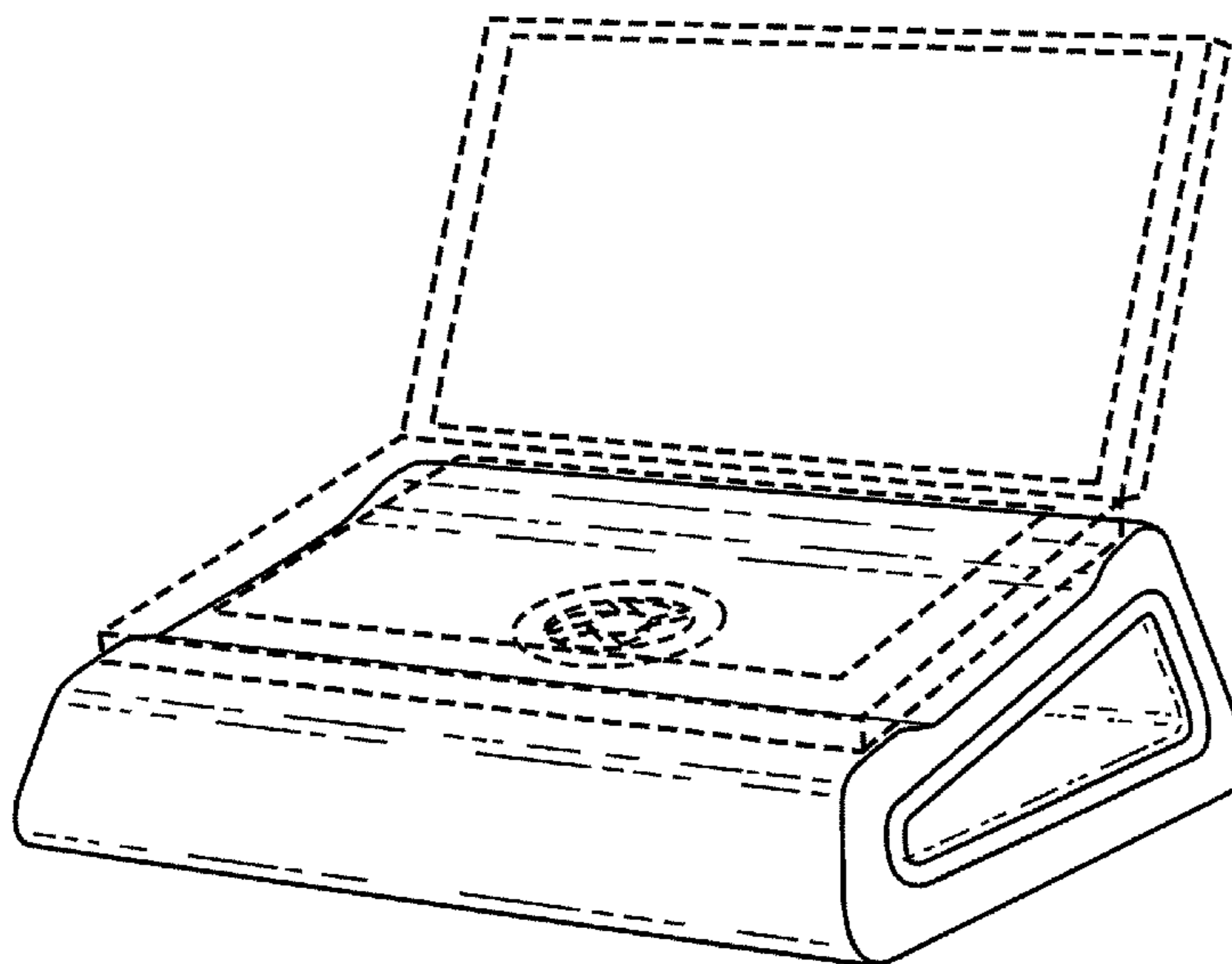
FIG. 1 is a top view of the laptop computer support;  
FIG. 2 is a front view thereof;  
FIG. 3 is a right side view of the laptop computer support, also showing a laptop computer located on the support;  
FIG. 4 is a left side view thereof;  
FIG. 5 is a bottom view thereof;  
FIG. 6 is a back view thereof;  
FIG. 7 is an isometric view of the laptop computer support, showing the front, top, and right side, and also showing a laptop computer located on the support; and,

FIG. 8 is another isometric view of the laptop computer support showing the bottom, back, and left side.

The broken line showing of portions of the laptop computer support forms no part of the claimed design.

The broken line showing of a laptop computer in FIG. 3 and FIG. 8 is included for the purposes of illustrating the laptop computer support in use and forms no part of the claimed design.

**1 Claim, 4 Drawing Sheets**



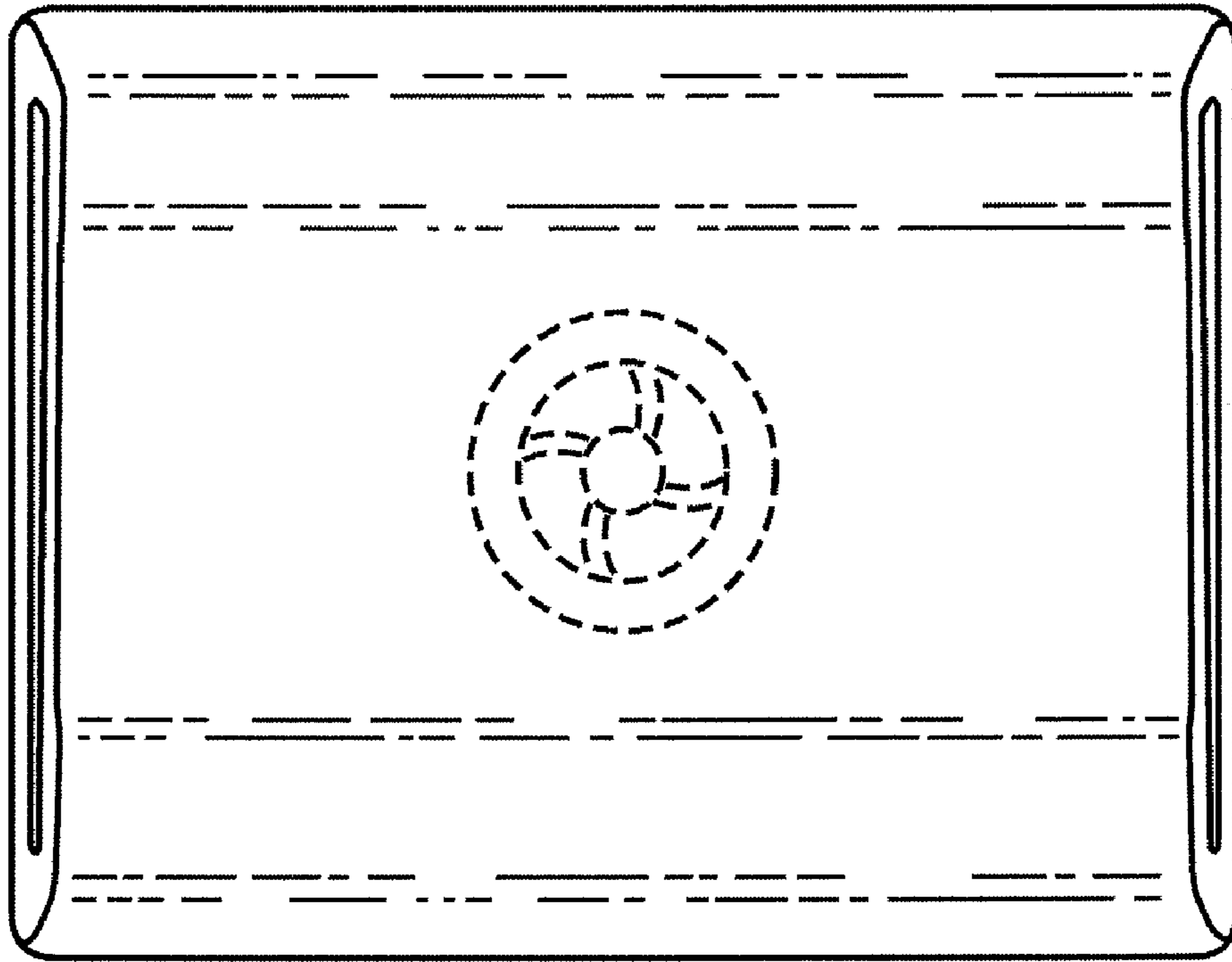


Fig. 1

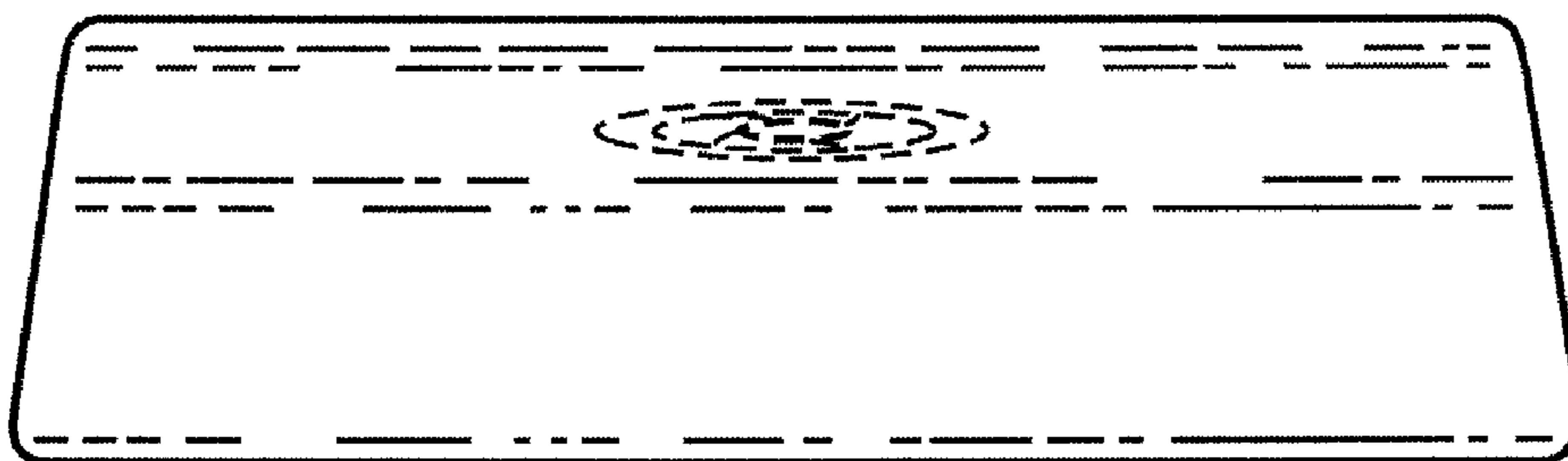


Fig. 2

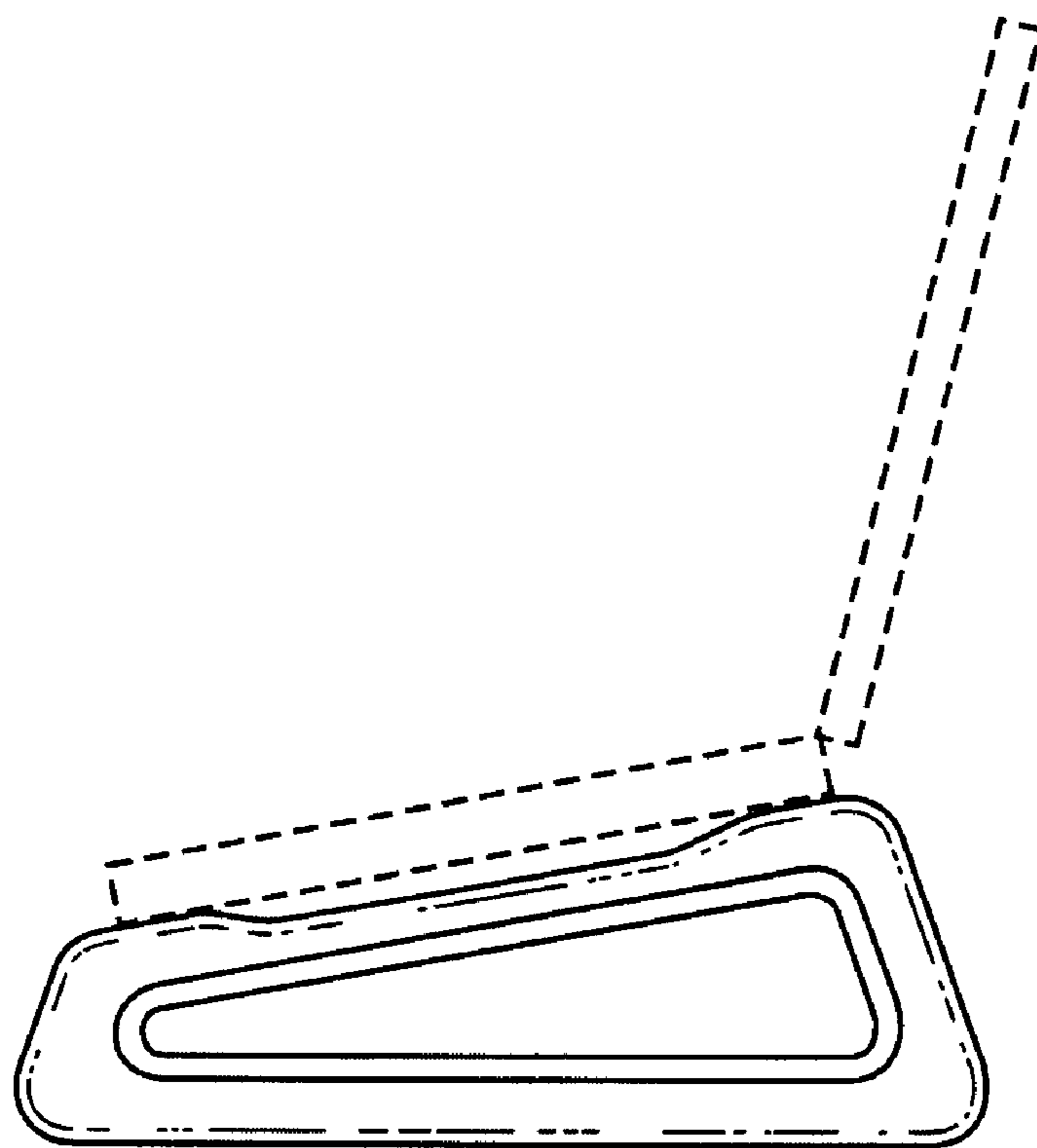


Fig. 3

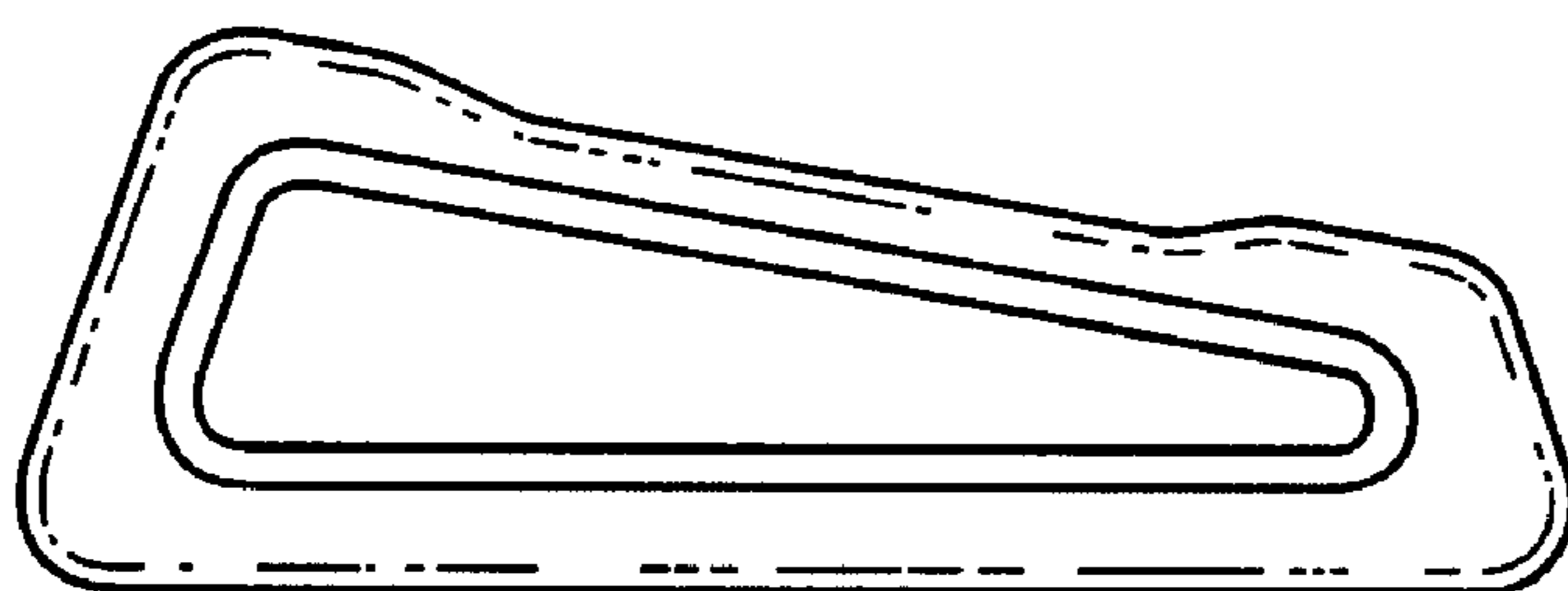


Fig. 4



Fig. 5

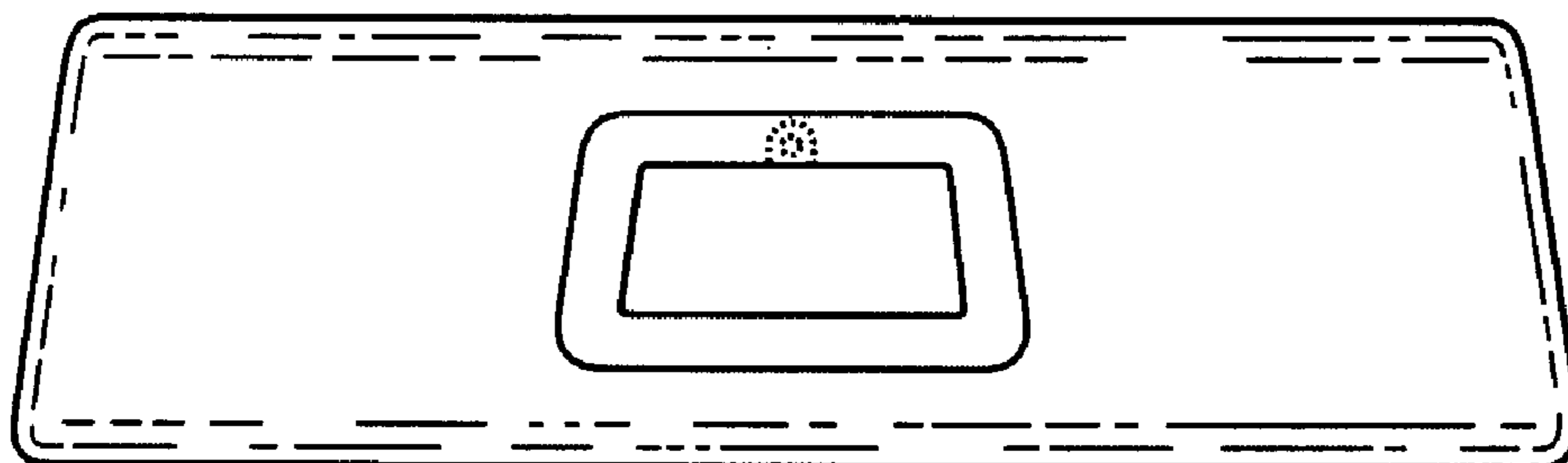


Fig. 6

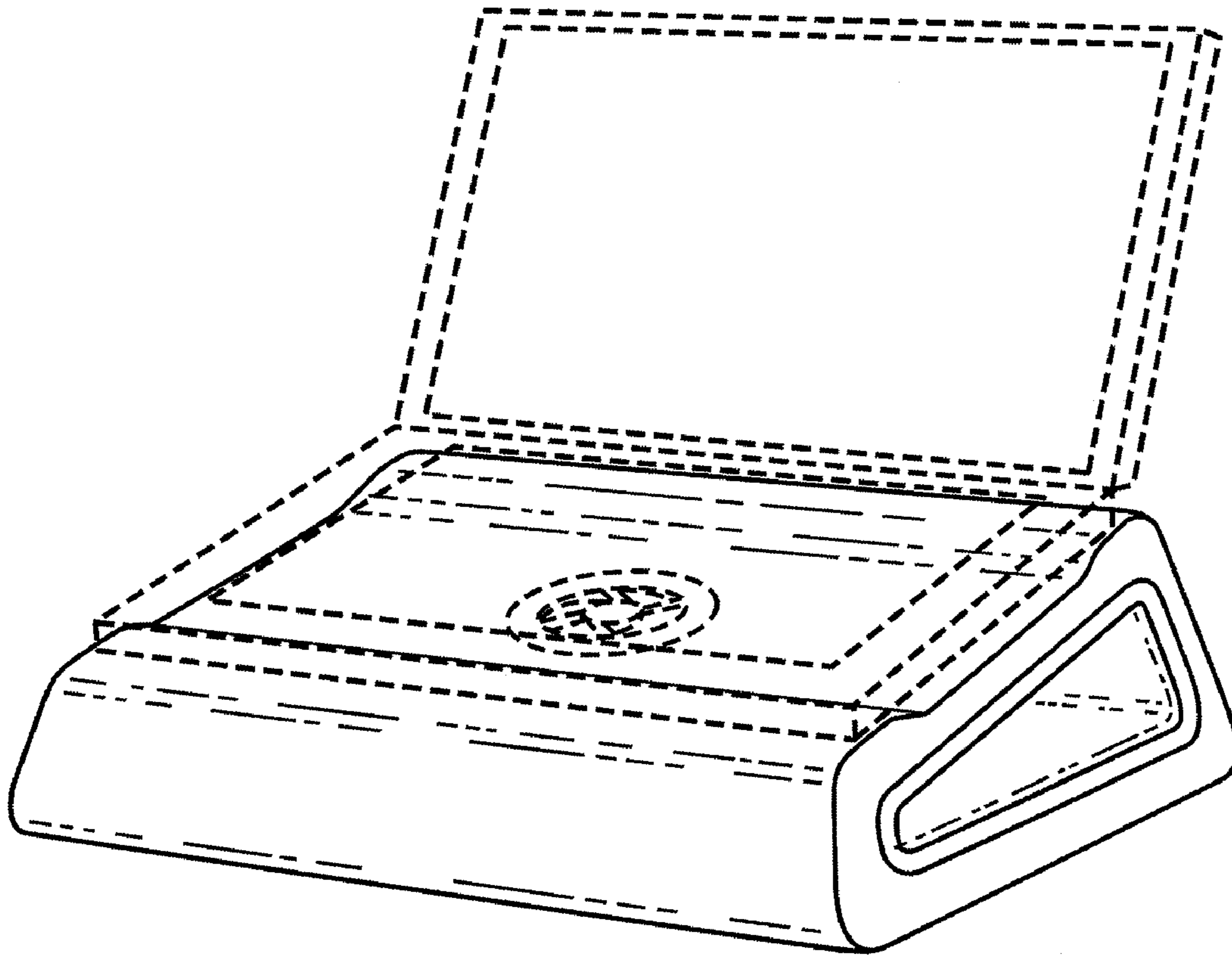


Fig. 7

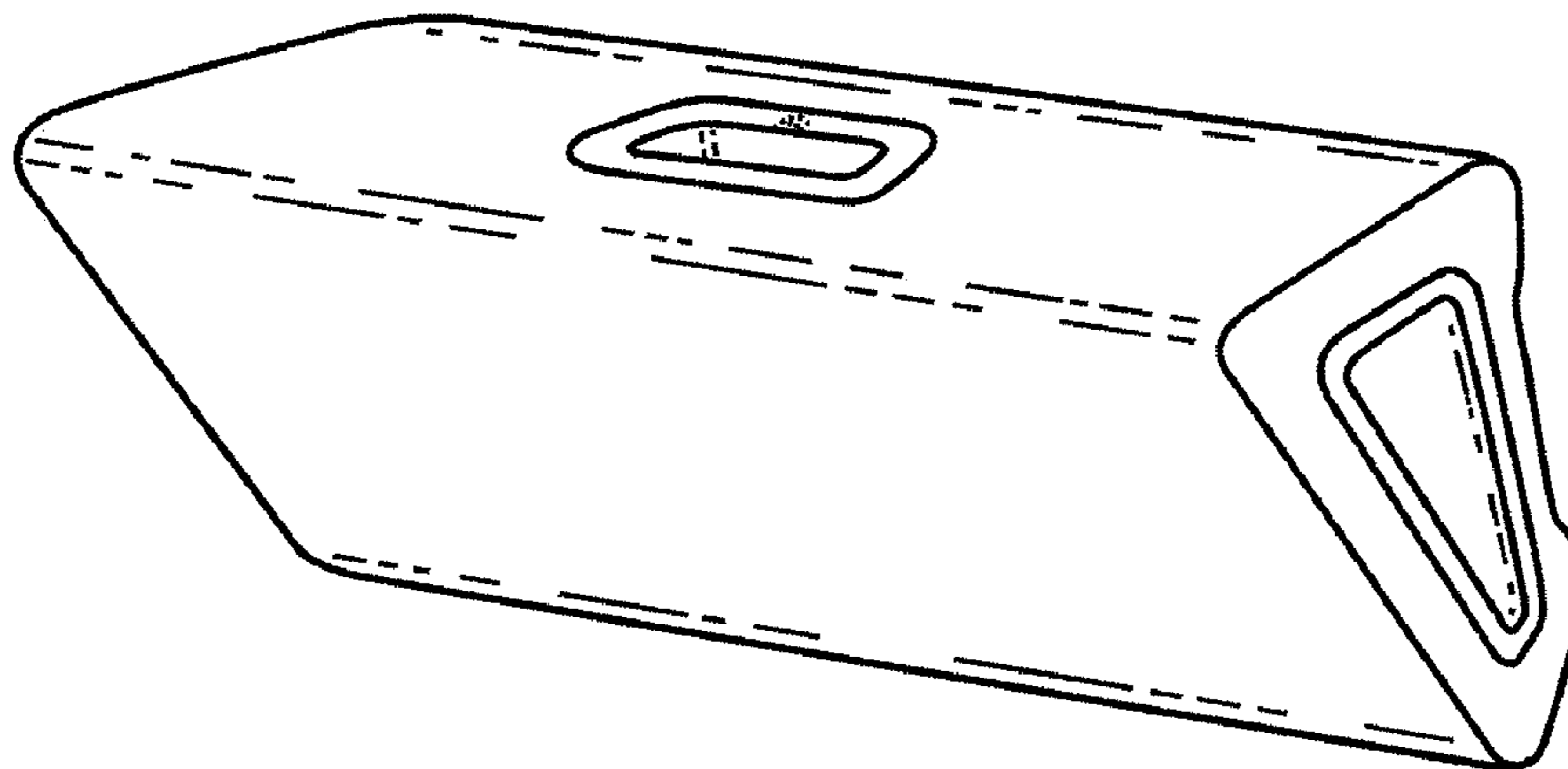


Fig. 8