



US00D578127S

(12) **United States Design Patent**
Crisp et al.

(10) **Patent No.:** **US D578,127 S**

(45) **Date of Patent:** **** Oct. 7, 2008**

(54) **INFORMATION HANDLING SYSTEM HANDLE**

(75) Inventors: **Richard Andrew Crisp**, Austin, TX (US); **Muthuswamy Ethirajan**, Austin, TX (US)

(73) Assignee: **Dell Products L.P.**, Round Rock, TX (US)

(**) Term: **14 Years**

(21) Appl. No.: **29/302,059**

(22) Filed: **Jan. 9, 2008**

(51) **LOC (8) Cl.** **14-02**

(52) **U.S. Cl.** **D14/432**

(58) **Field of Classification Search** D14/300–302, D14/308–314, 328, 348, 349, 356–370, 432, D14/439–447, 465, 134; D13/123, 133, D13/146, 147, 154, 156, 158, 162, 173, 175, D13/177, 184, 110; D8/331, 336, 338, 349; 361/683–686, 725–727; 439/372, 116, 157; 312/333, 332.1, 223.1

See application file for complete search history.

(56) **References Cited**

U.S. PATENT DOCUMENTS

12,580 A	3/1855	Bauersfeld	
D275,553 S *	9/1984	Emmie et al.	D8/363
D284,932 S *	8/1986	Beverly	D13/154
D303,988 S *	10/1989	Buchweitz et al.	D14/447
D315,720 S *	3/1991	Freehauf	D13/154
5,601,349 A *	2/1997	Holt	312/223.1
RE36,695 E *	5/2000	Holt	312/223.1
D438,512 S *	3/2001	Nishio et al.	D13/147
D444,471 S *	7/2001	Koken et al.	D14/432
6,381,146 B1 *	4/2002	Sevier	439/160
6,549,424 B1 *	4/2003	Beseth et al.	439/157

D482,690 S *	11/2003	Smith	D14/432
D483,377 S	12/2003	Mundt	
D483,766 S	12/2003	Mundt	
D491,186 S *	6/2004	Arakaki et al.	D14/432
D494,975 S *	8/2004	McClelland et al.	D14/435
D517,560 S *	3/2006	Wang et al.	D14/439
7,140,904 B2 *	11/2006	Carr et al.	439/372
D549,086 S *	8/2007	Fujiwara et al.	D8/382
7,295,447 B2 *	11/2007	Strmiska et al.	312/223.2
7,301,778 B1 *	11/2007	Fang	361/726
D560,466 S *	1/2008	Nguyen et al.	D8/330
D568,840 S *	5/2008	Hsu	D13/184
D569,231 S *	5/2008	Terada et al.	D8/354

* cited by examiner

Primary Examiner—Cathron Brooks

Assistant Examiner—Deanna Fluegeman

(74) *Attorney, Agent, or Firm*—Hamilton & Terrile, LLP; Stephen A. Terrile

(57) **CLAIM**

We claim the ornamental design for an information handling system handle, as shown and described herein.

DESCRIPTION

FIG. 1 is a front angle perspective view of the information handling system handle comprising the present invention;

FIG. 2 is a front view thereof;

FIG. 3 is a left side view thereof;

FIG. 4 is a right side view thereof;

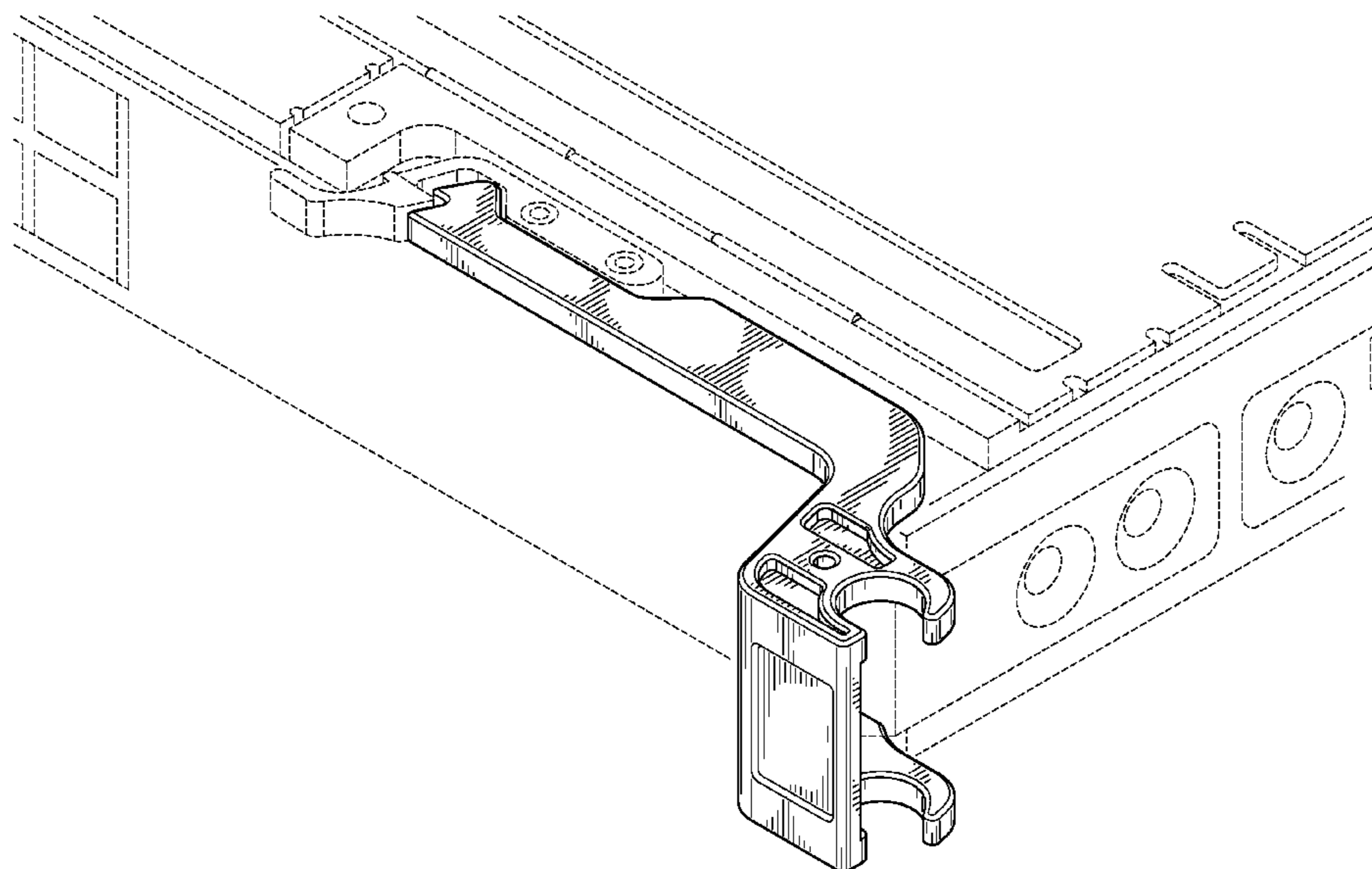
FIG. 5 is a rear view thereof;

FIG. 6 is a top view thereof; and,

FIG. 7 is a bottom view thereof.

Broken lines are shown for illustrative purposes only and form no part of the claimed design.

1 Claim, 3 Drawing Sheets



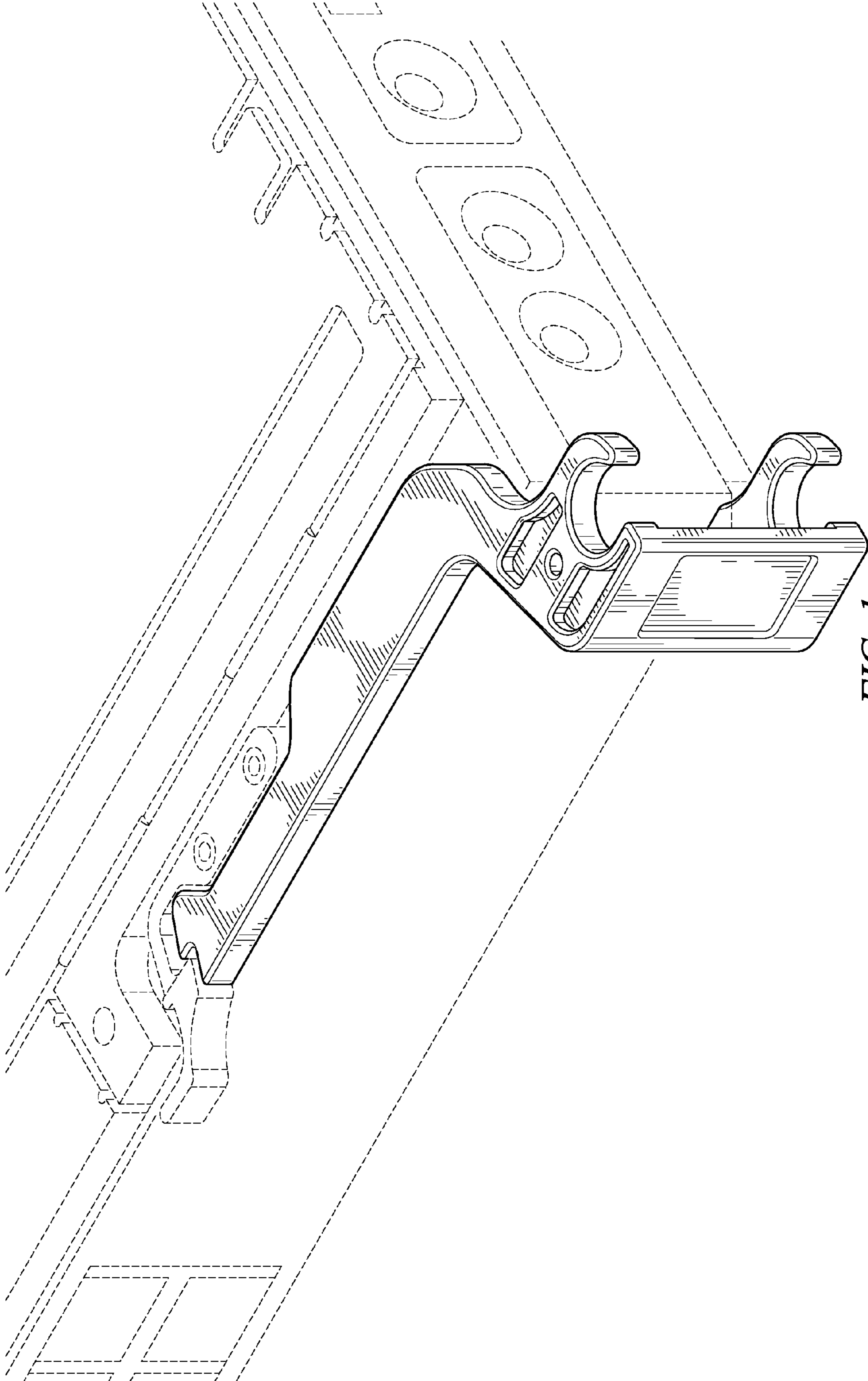


FIG. 1

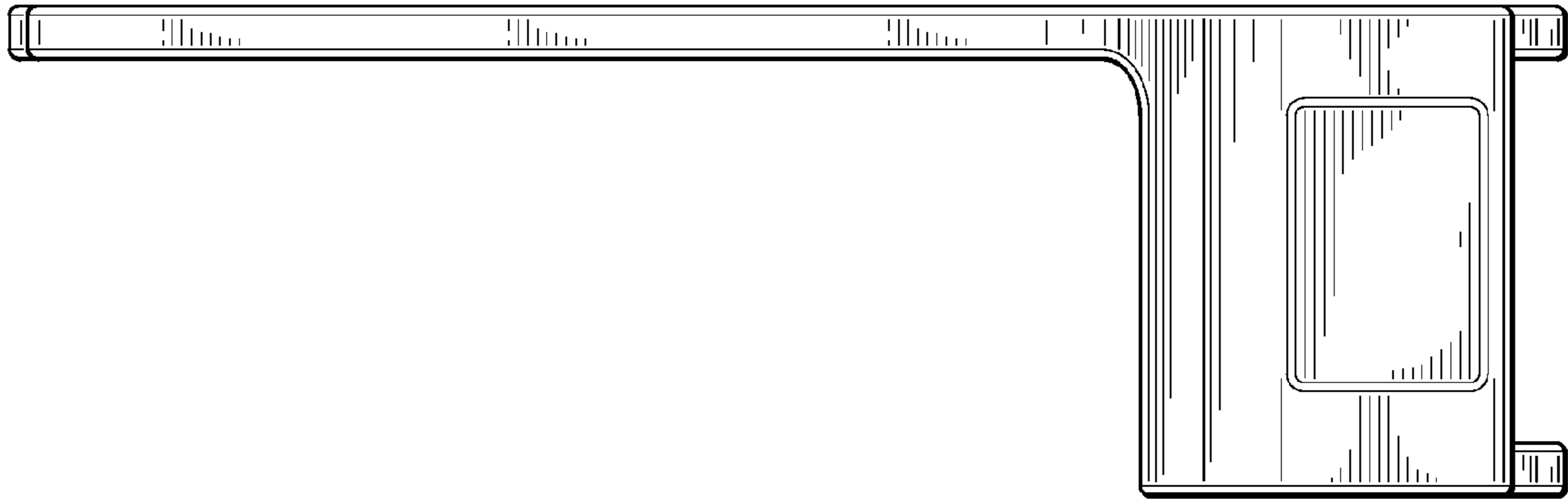


FIG. 2

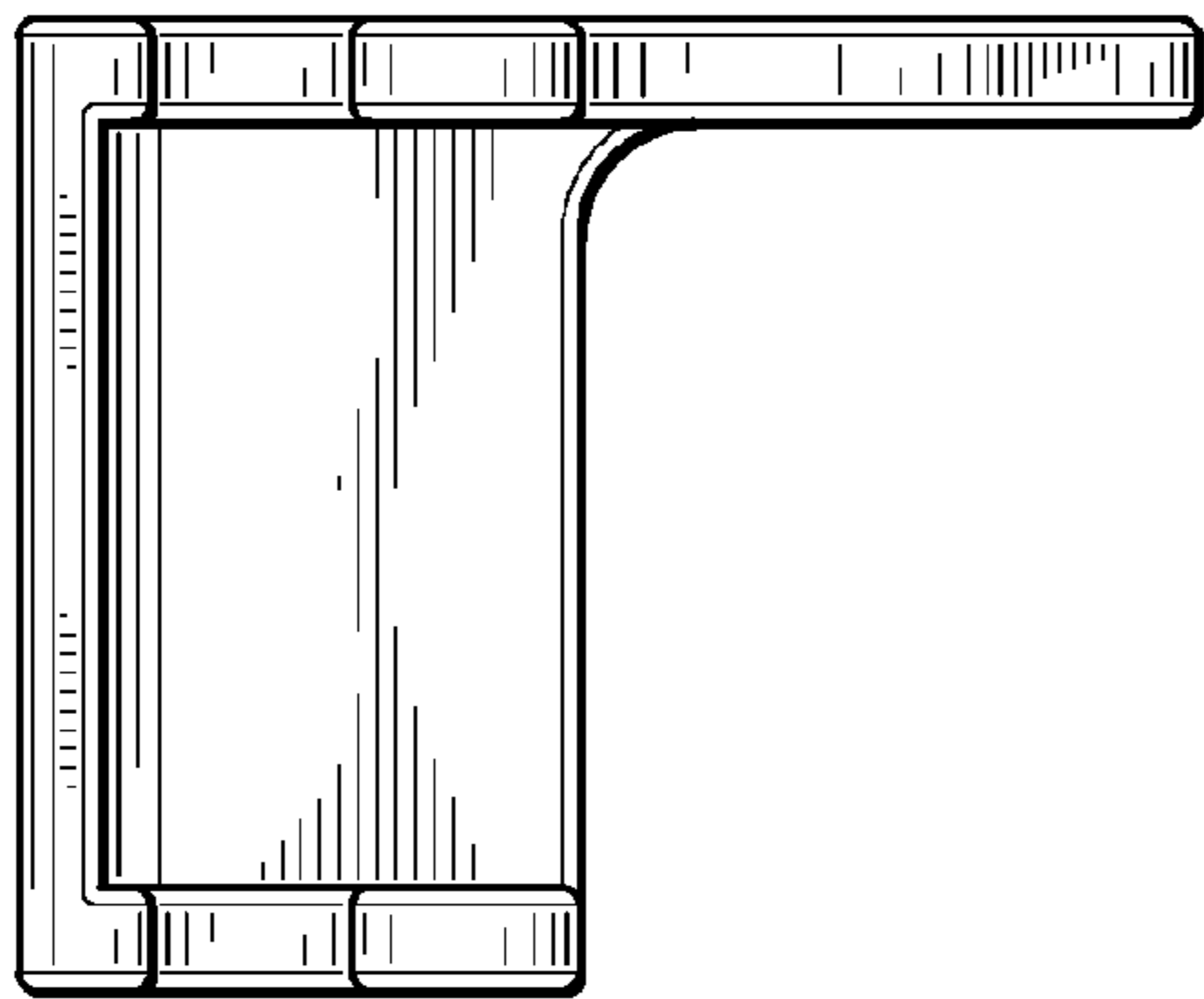


FIG. 3

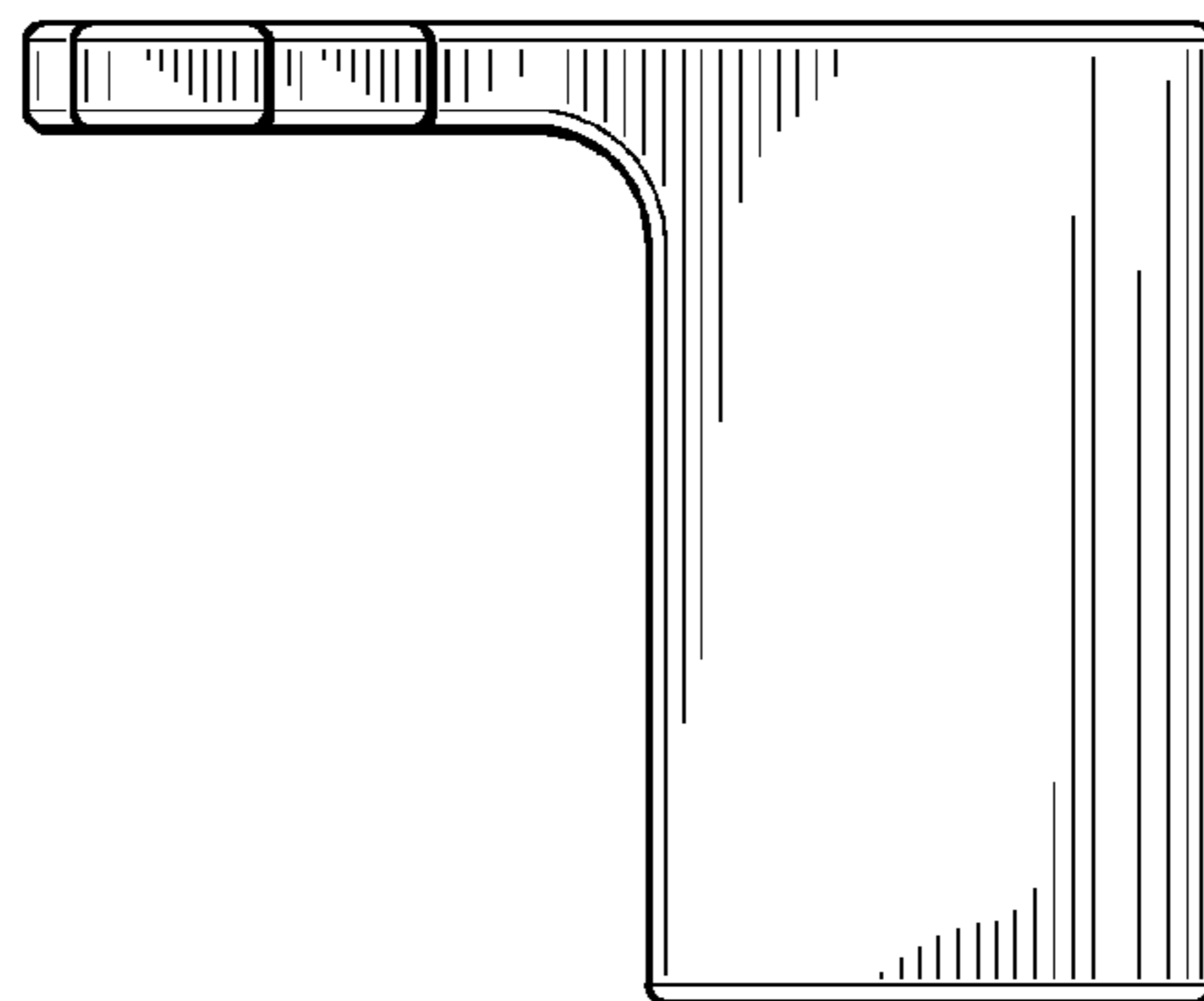


FIG. 4

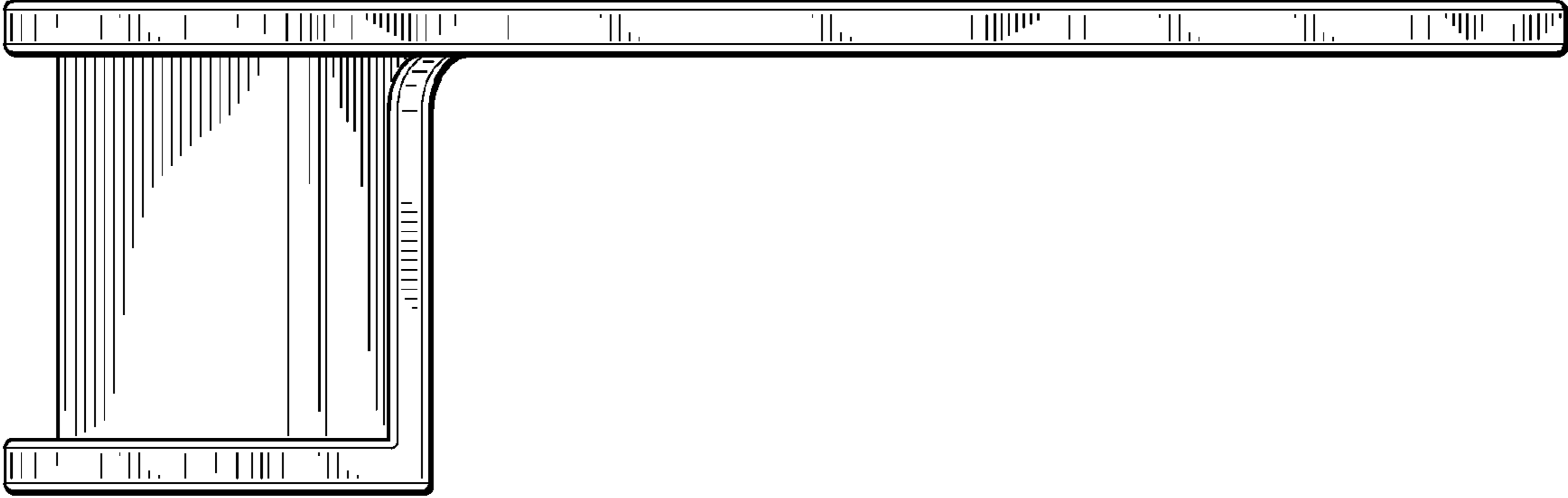


FIG. 5

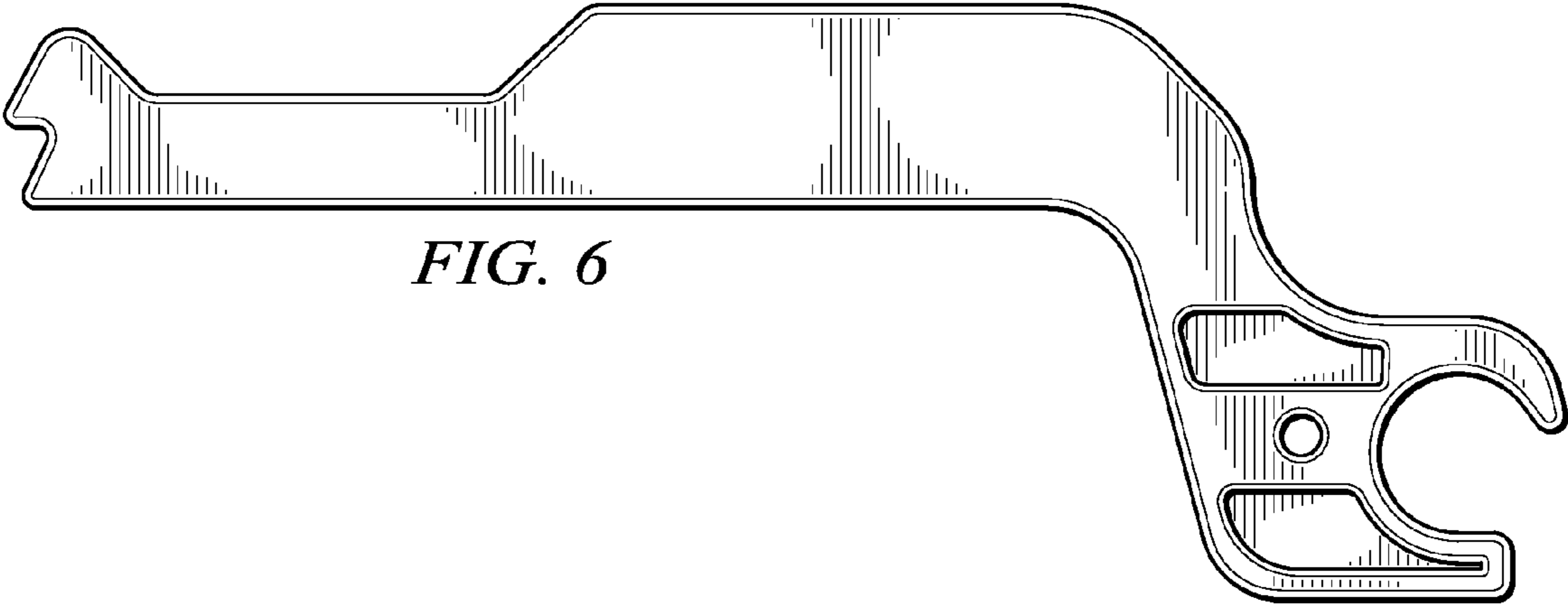


FIG. 6

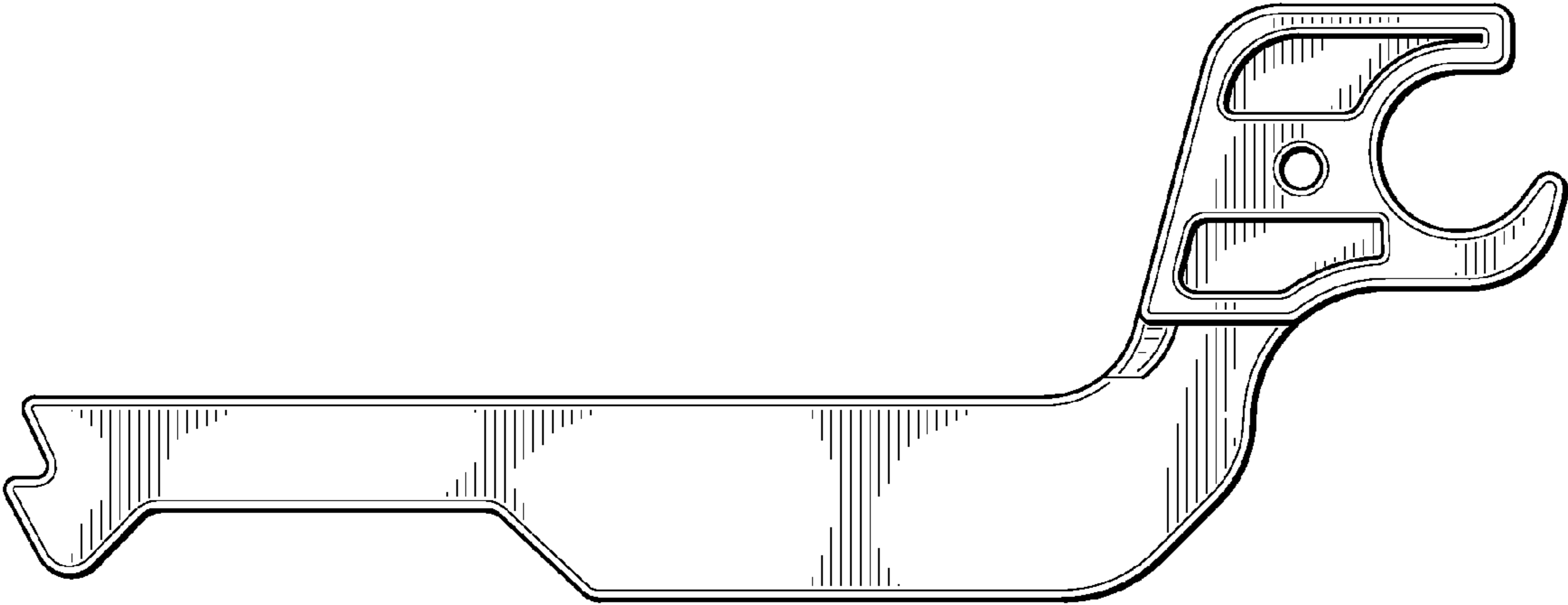


FIG. 7