

US00D578125S

(12) **United States Design Patent**
Iseki

(10) **Patent No.:** **US D578,125 S**
(45) **Date of Patent:** **** Oct. 7, 2008**

(54) **COMPUTER**

(75) Inventor: **Daisuke Iseki**, Tokyo (JP)

(73) Assignee: **Sony Corporation**, Tokyo (JP)

(**) Term: **14 Years**

(21) Appl. No.: **29/261,394**

(22) Filed: **Jun. 14, 2006**

(30) **Foreign Application Priority Data**

Dec. 27, 2005 (JP) 2005-038413

(51) **LOC (8) Cl.** **14-02**

(52) **U.S. Cl.** **D14/432; D14/315**

(58) **Field of Classification Search** D14/315-327,
D14/384, 432, 439-446, 341, 345, 353-355,
D14/125, 130, 132, 138, 239; D16/202,
D16/208; 235/145 A, 145 R; 341/22, 23;
349/12; 361/680-686

See application file for complete search history.

(56) **References Cited**

U.S. PATENT DOCUMENTS

D464,344 S * 10/2002 Jobs et al. D14/318
6,492,974 B1 * 12/2002 Nobuchi et al. 345/156
D485,836 S * 1/2004 Tanaka D14/316
D488,807 S 4/2004 Ogasawara
6,744,622 B2 * 6/2004 Lee et al. 361/680
6,785,128 B1 * 8/2004 Yun 361/683
D501,472 S 2/2005 Kumano
D501,660 S 2/2005 Kumano
D504,684 S 5/2005 Yokota

D516,552 S 3/2006 Iseki
D521,992 S * 5/2006 Morooka et al. D14/316
D534,198 S * 12/2006 Horikiri D16/219
D556,192 S * 11/2007 Jeong et al. D14/327

OTHER PUBLICATIONS

Web page "FE Series Notebook", <http://www.learningcenter.sony.us/Notebooks/FESeries/Research1/FEGallery&aPath=/LearningC...>, 19 sheets, Sony (Apr. 2006).

* cited by examiner

Primary Examiner—Cathron Brooks

Assistant Examiner—Deanna Fluegeman

(74) *Attorney, Agent, or Firm*—Rader, Fishman & Grauer, PLLC

(57) **CLAIM**

The ornamental design for a computer, as shown and described.

DESCRIPTION

FIG. 1 is a perspective view of a computer showing my new design;

FIG. 2 is a front elevational view thereof;

FIG. 3 is a left side elevational view thereof;

FIG. 4 is a right side elevational view thereof;

FIG. 5 is a top plan view thereof; and,

FIG. 6 is a bottom plan view thereof.

Portions of FIGS. 1-6 that are shown as broken lines are for illustrative purpose only and form no part of the claimed design.

1 Claim, 6 Drawing Sheets

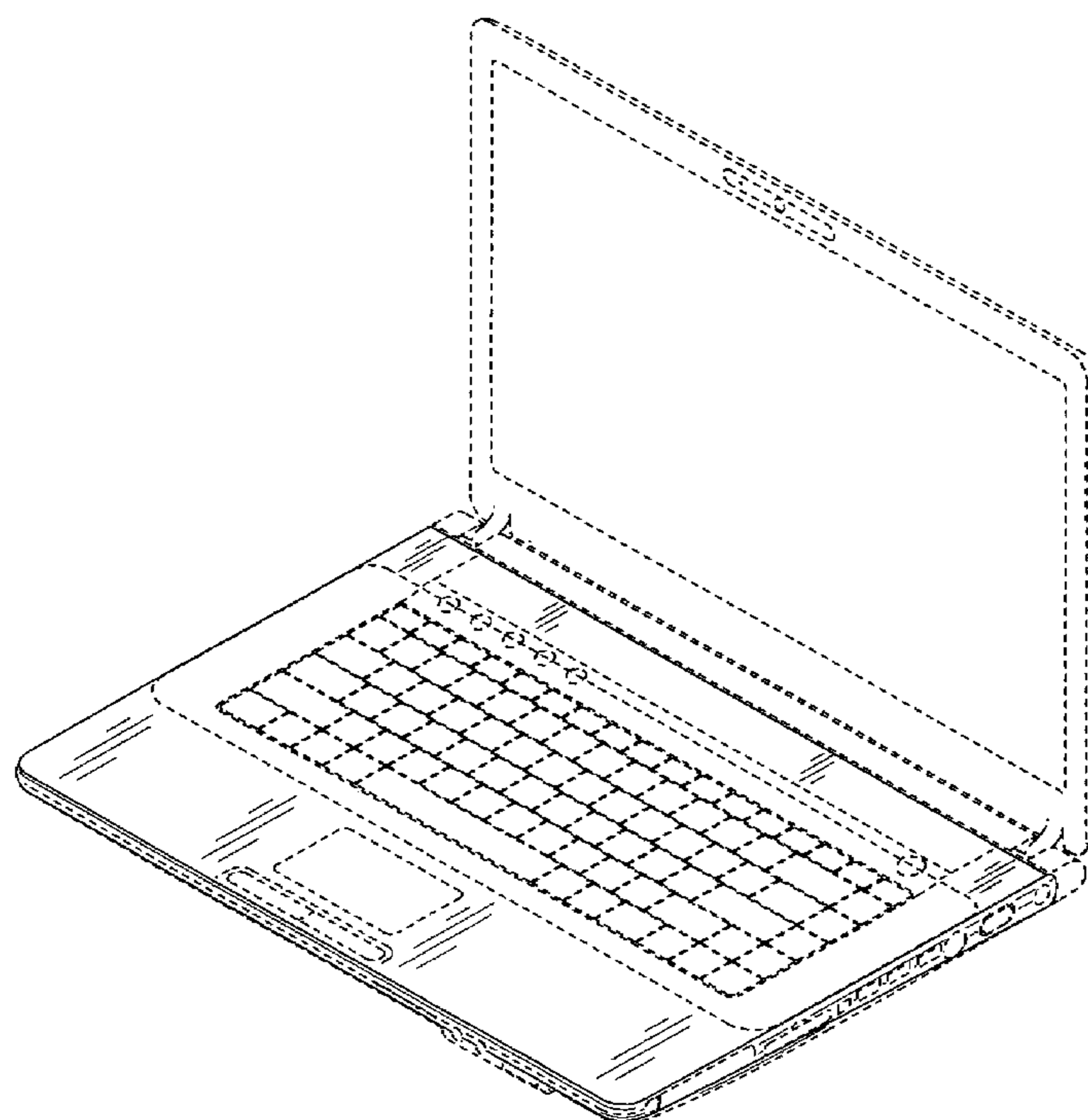


Fig. 1

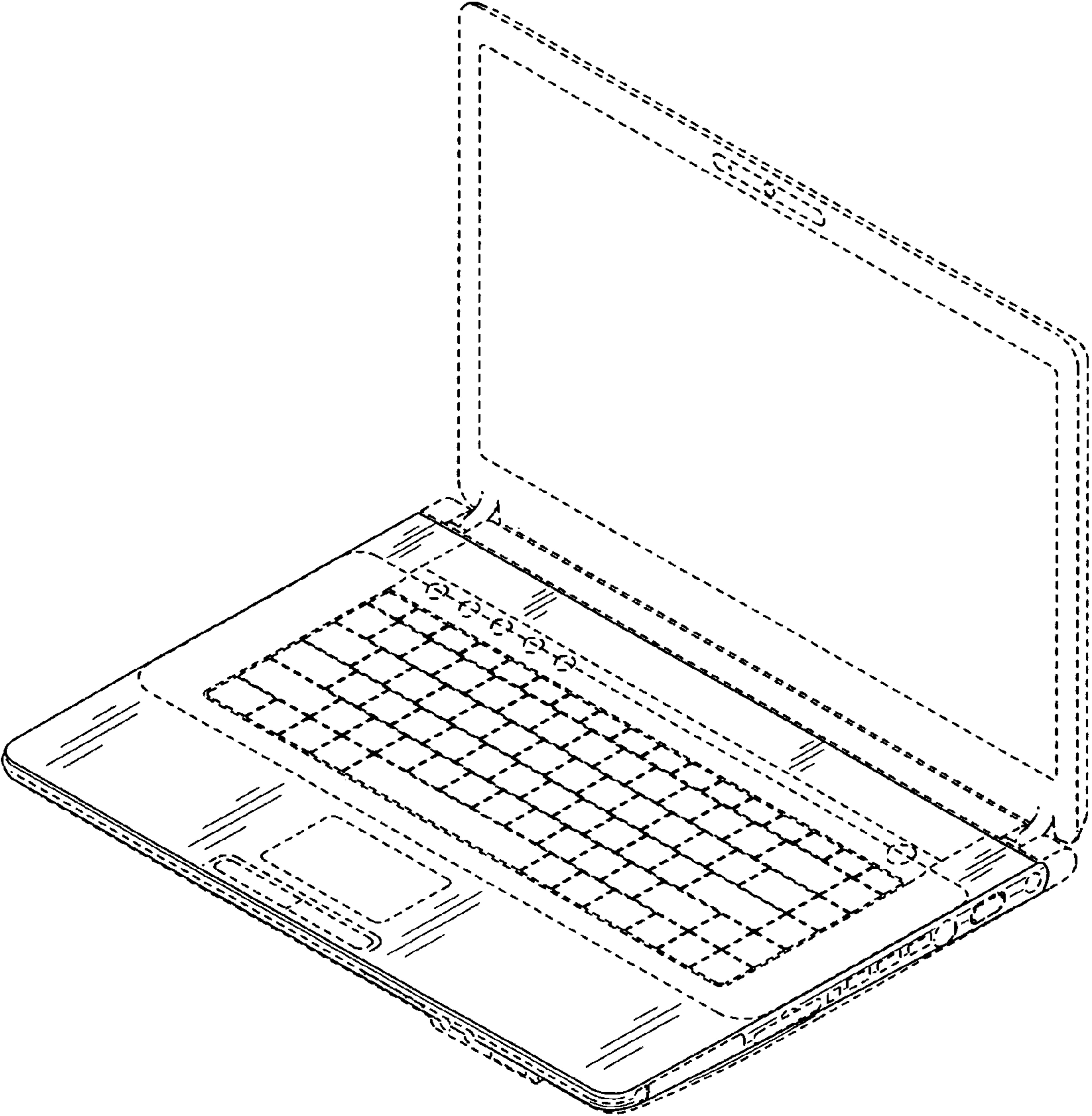


Fig.2

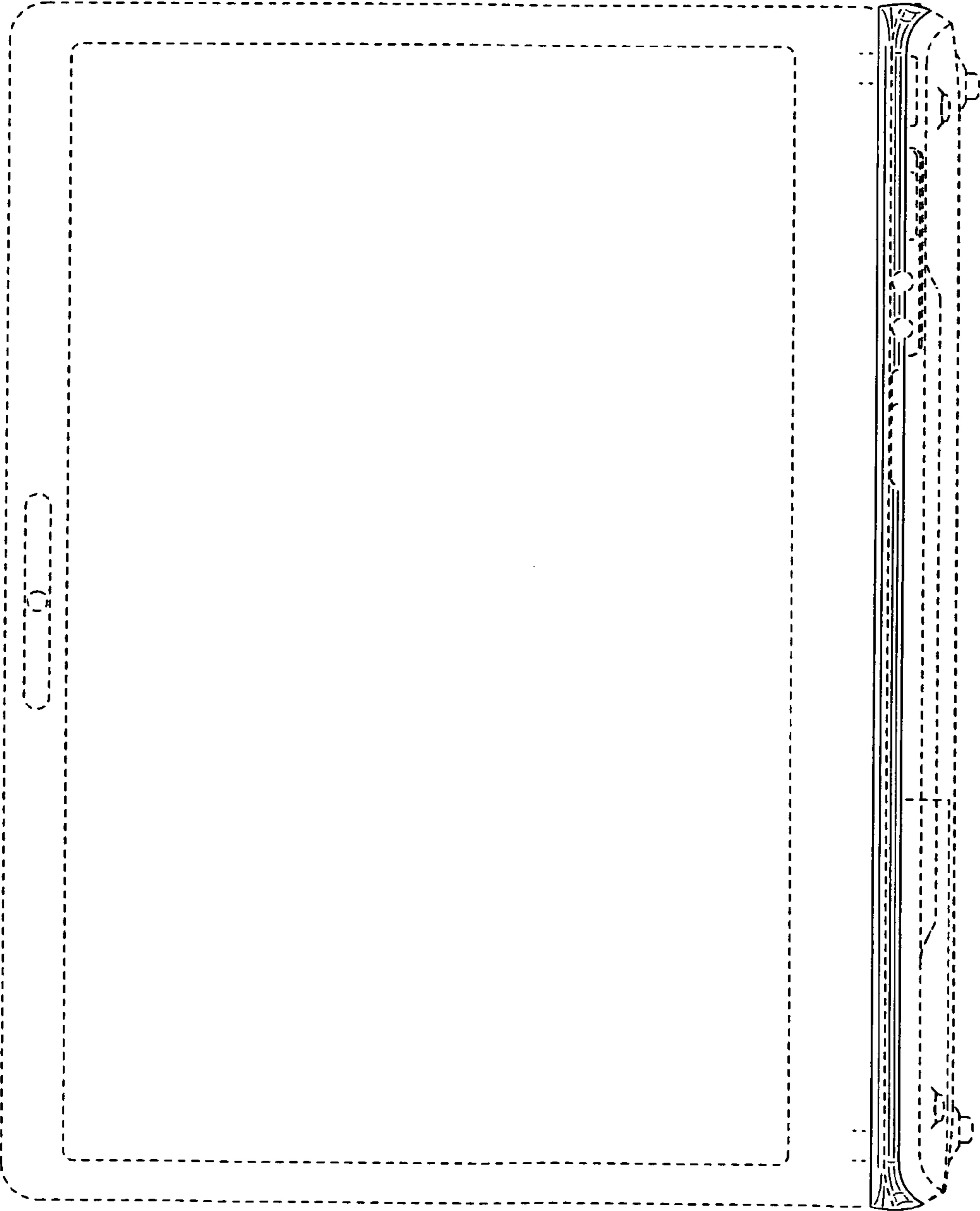


Fig.3

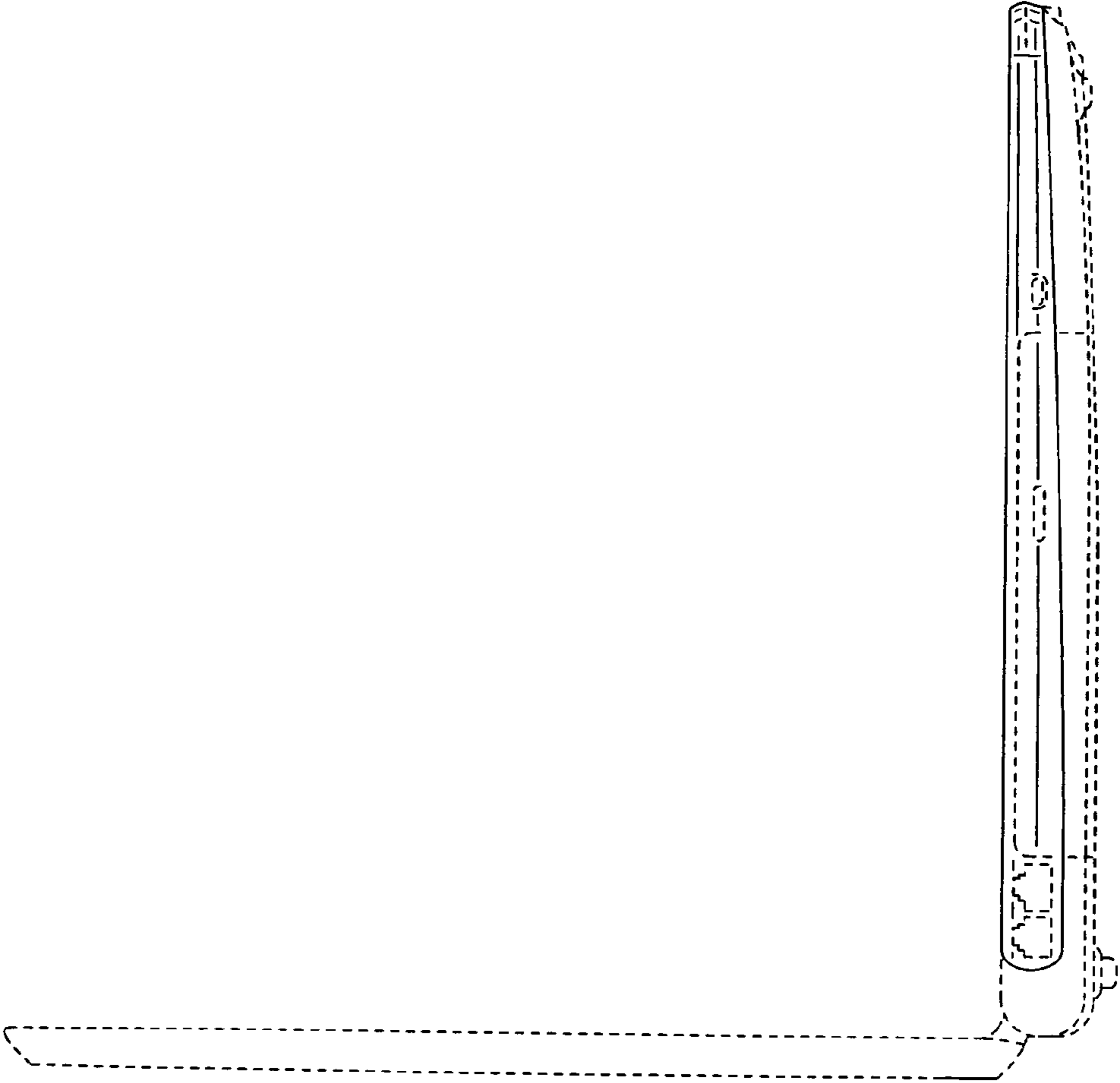


Fig.4

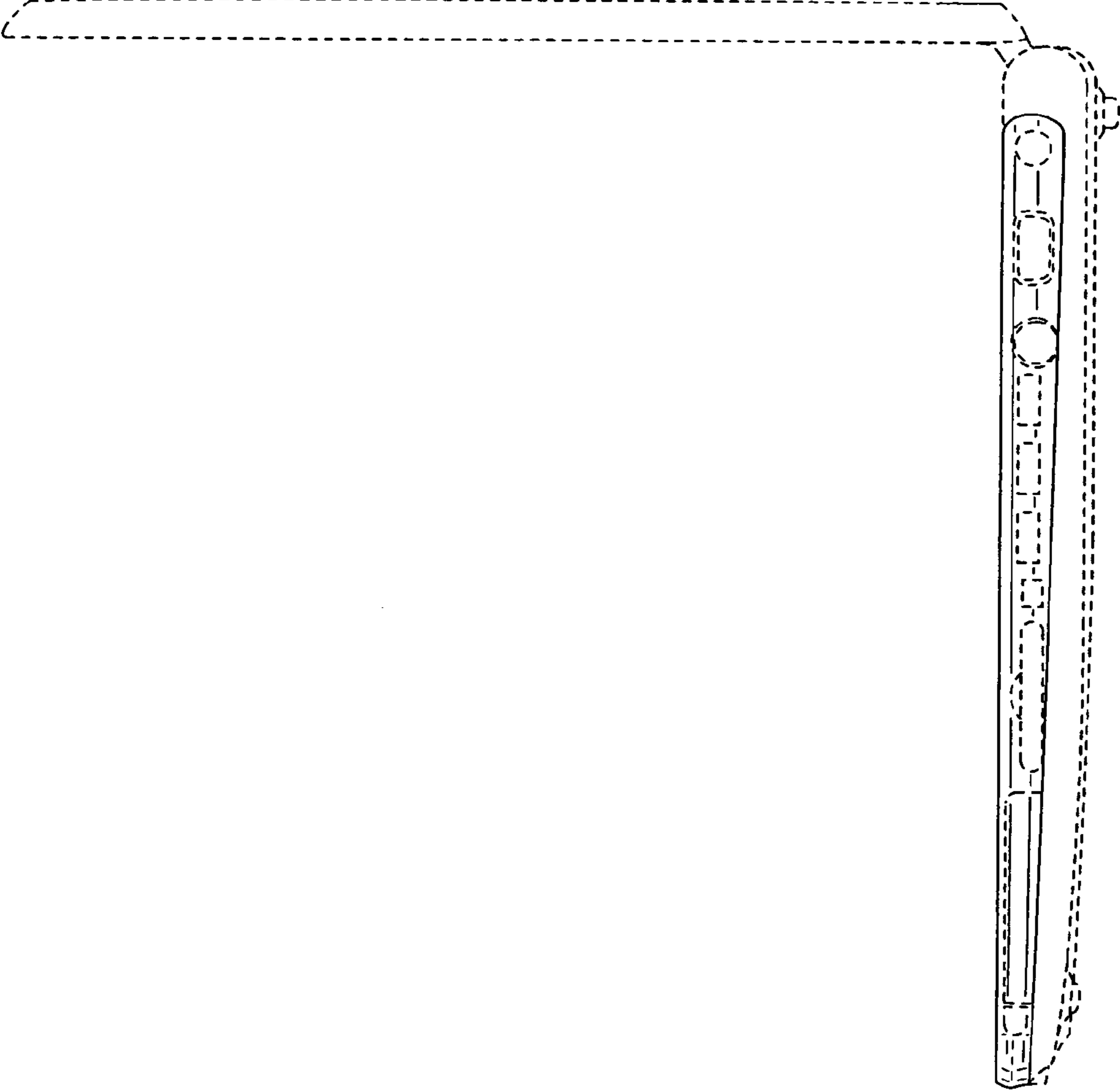


Fig.5

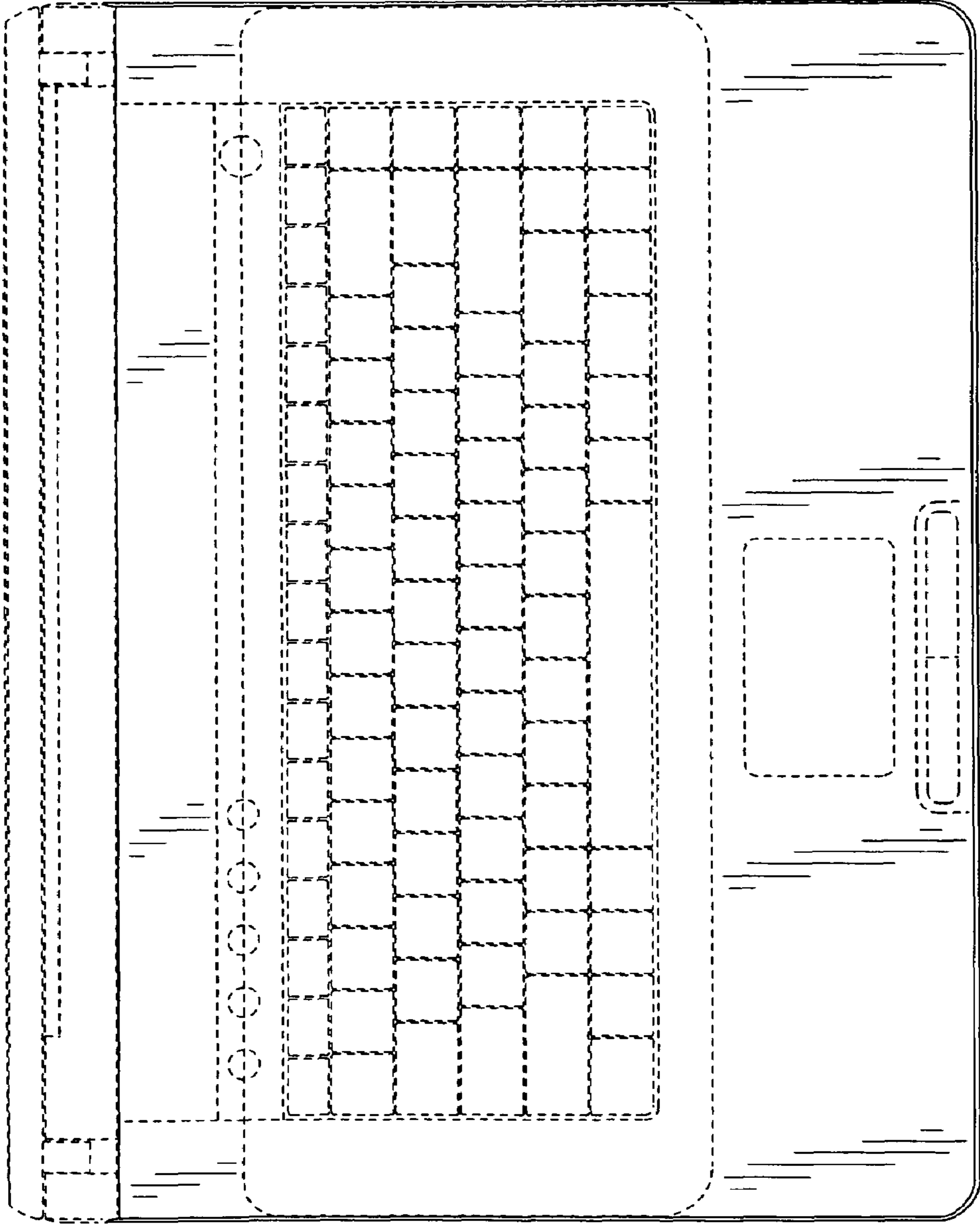


Fig.6

