



US00D578118S

(12) **United States Design Patent**
Lai

(10) **Patent No.:** **US D578,118 S**

(45) **Date of Patent:** **** Oct. 7, 2008**

(54) **COMPUTER SYSTEM UNIT**

(75) Inventor: **Vincent Lai**, Taoyuan Hsien (TW)

(73) Assignee: **In Win Development, Inc.**, Taoyuan Hsien (TW)

(**) Term: **14 Years**

(21) Appl. No.: **29/273,038**

(22) Filed: **Feb. 22, 2007**

(51) **LOC (8) Cl.** **14-02**

(52) **U.S. Cl.** **D14/349**

(58) **Field of Classification Search** D14/349,
D14/351-356; D13/162, 184, 199; 312/223.1,
312/223.3; 360/99.01-99.12; 361/680-686,
361/690-696; 369/34.01, 36.01

See application file for complete search history.

(56) **References Cited**

U.S. PATENT DOCUMENTS

5,828,545 A * 10/1998 Loudenslager 361/683

D495,328 S * 8/2004 Chang D14/349
2002/0109966 A1 * 8/2002 Crowley 361/683

* cited by examiner

Primary Examiner—Freda S Nunn

(74) *Attorney, Agent, or Firm*—Pro-Techtor Int'l Services

(57) **CLAIM**

The ornamental design for computer system unit, as shown and described.

DESCRIPTION

FIG. 1 is a perspective view of computer system unit showing my new design;

FIG. 2 is a front elevational view thereof;

FIG. 3 is a rear elevational view thereof;

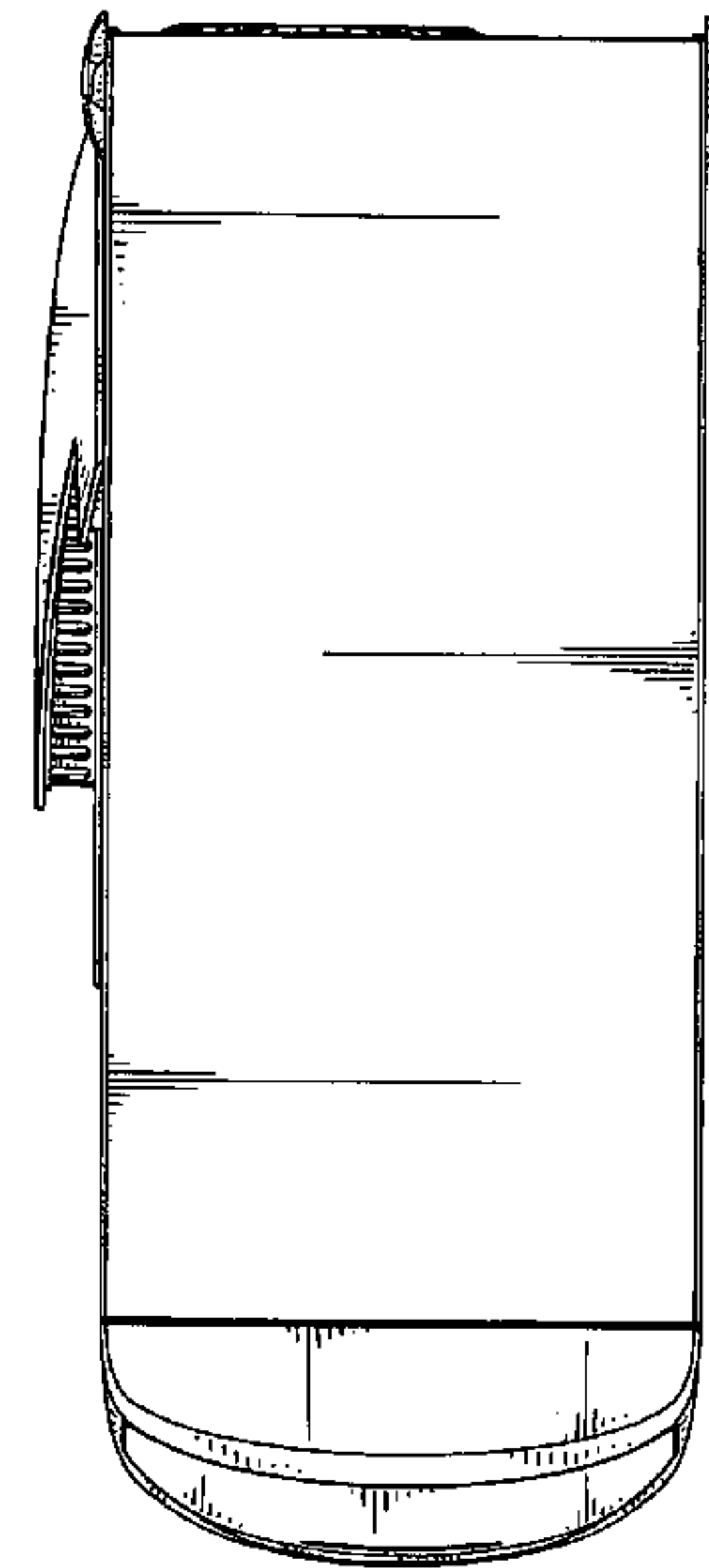
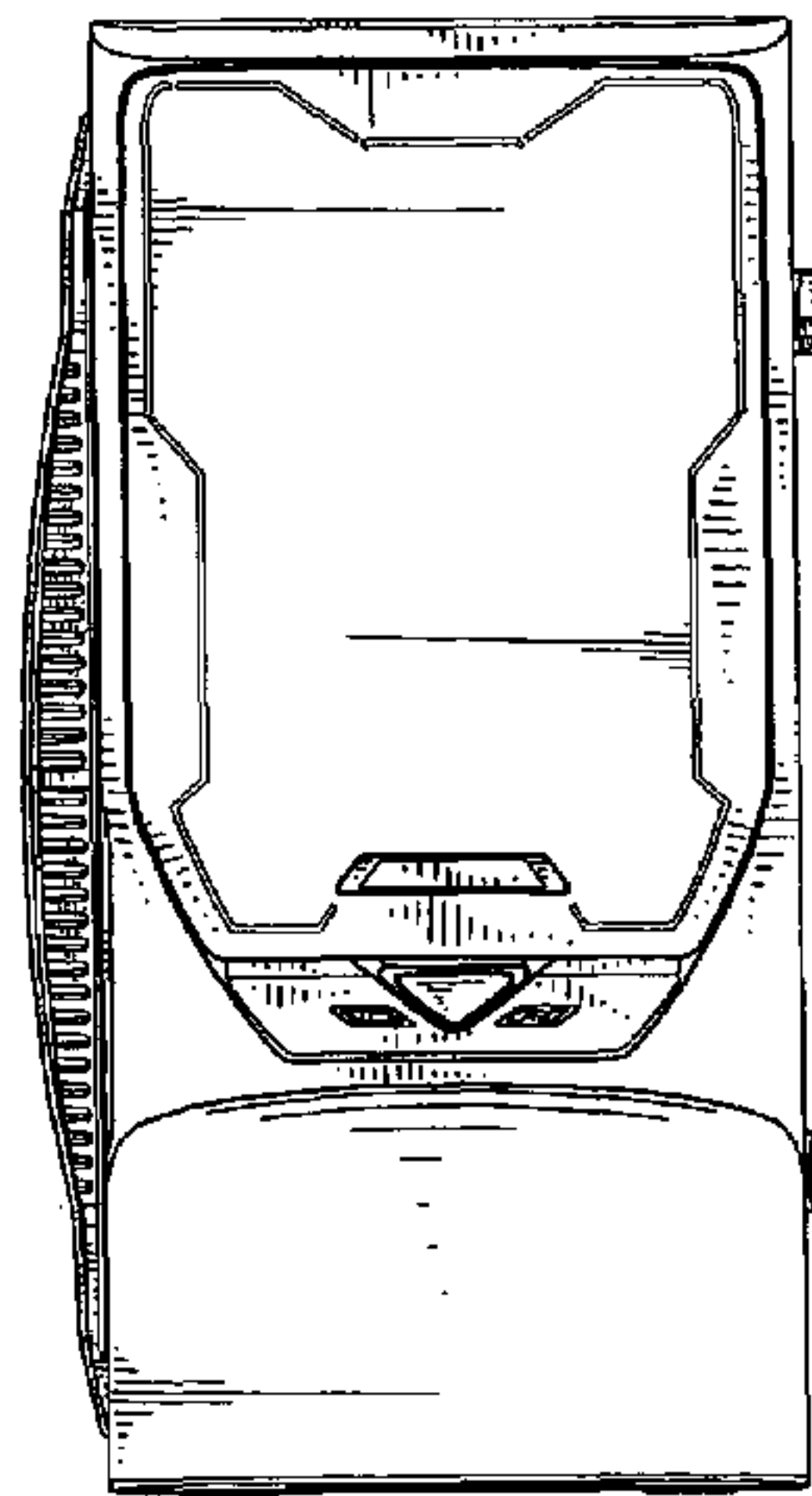
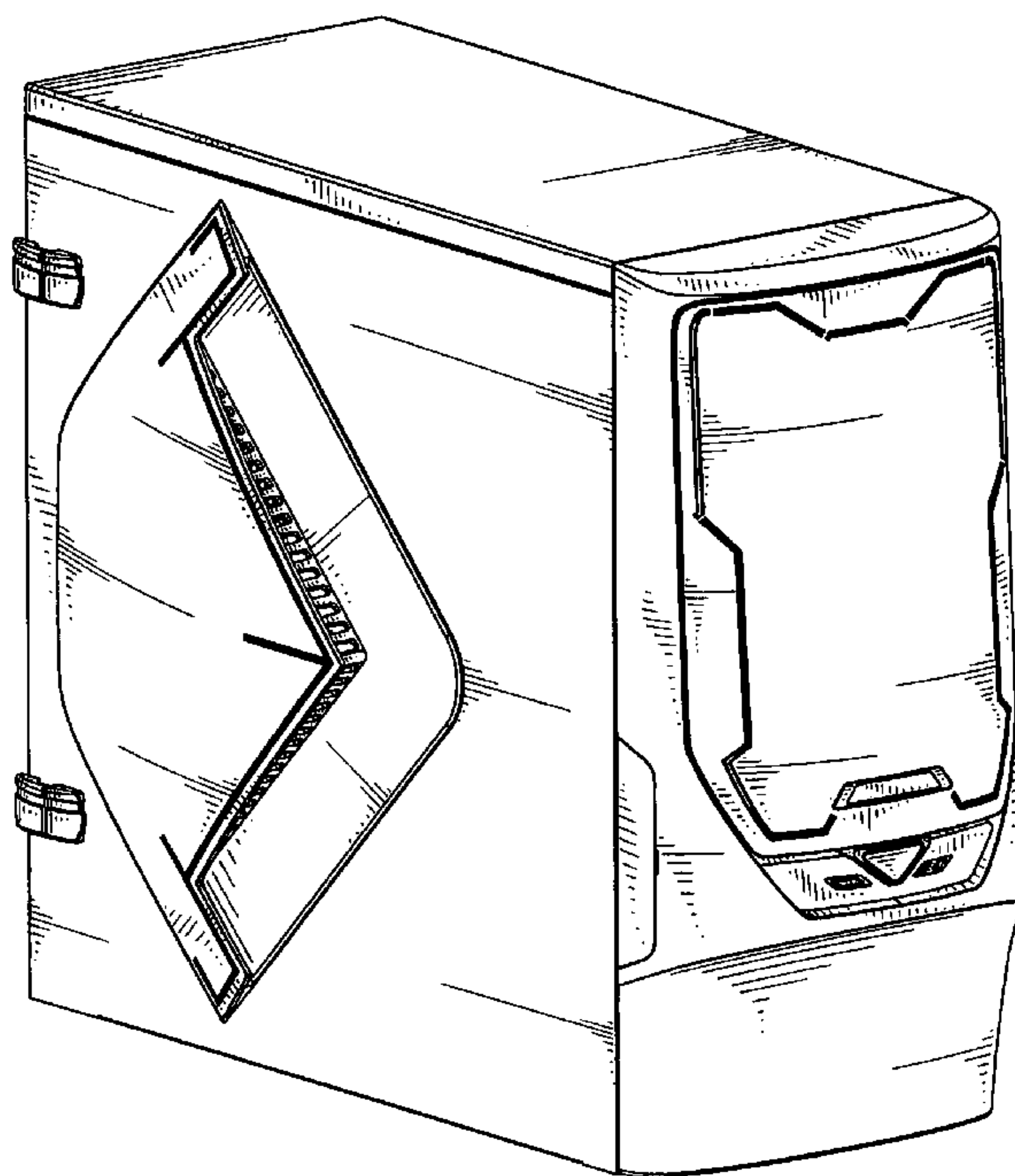
FIG. 4 is a top plan view thereof;

FIG. 5 is a bottom plan view thereof;

FIG. 6 is a left side elevational view thereof; and,

FIG. 7 is a right side elevational view thereof.

1 Claim, 4 Drawing Sheets



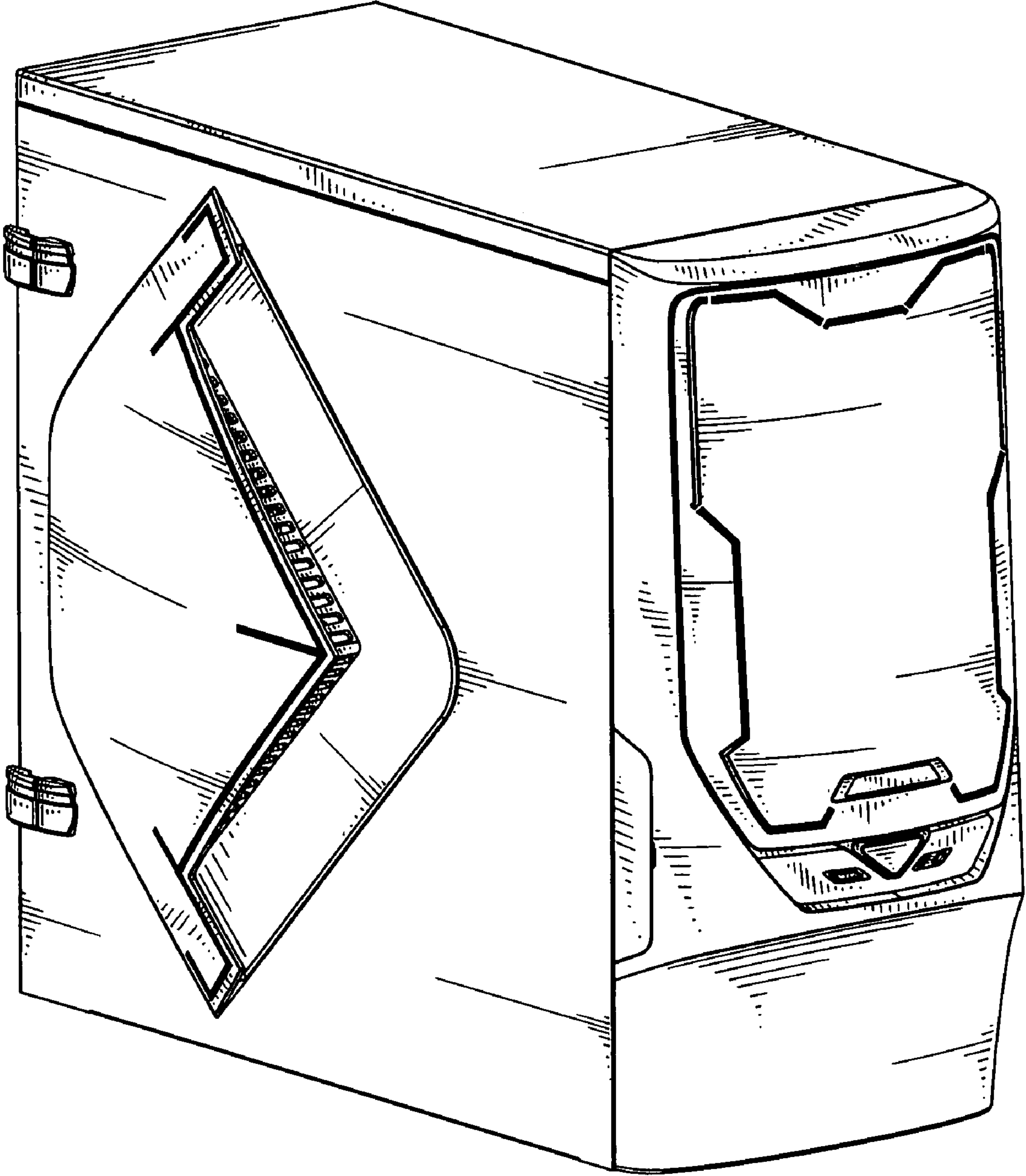


FIG.1

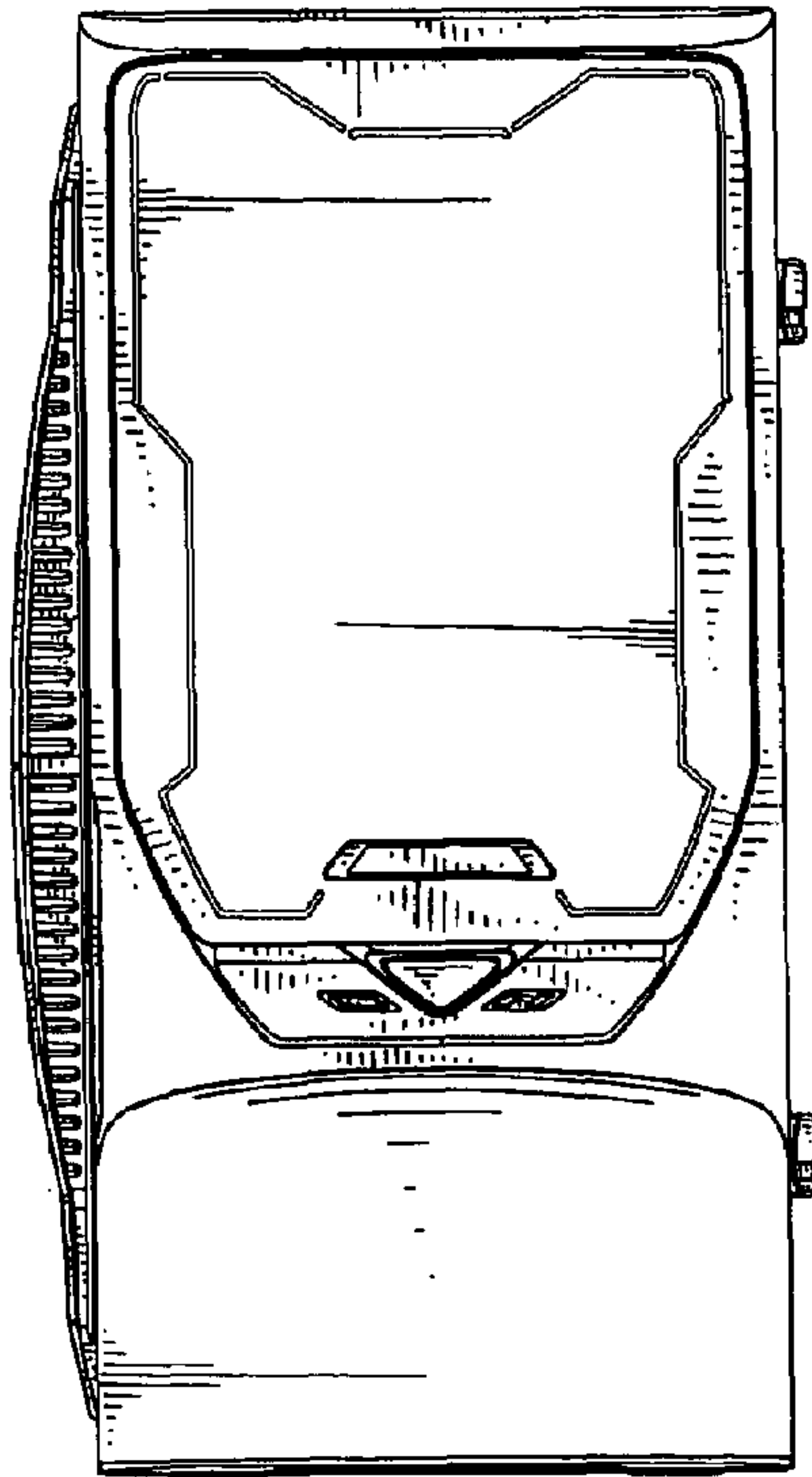


FIG. 2

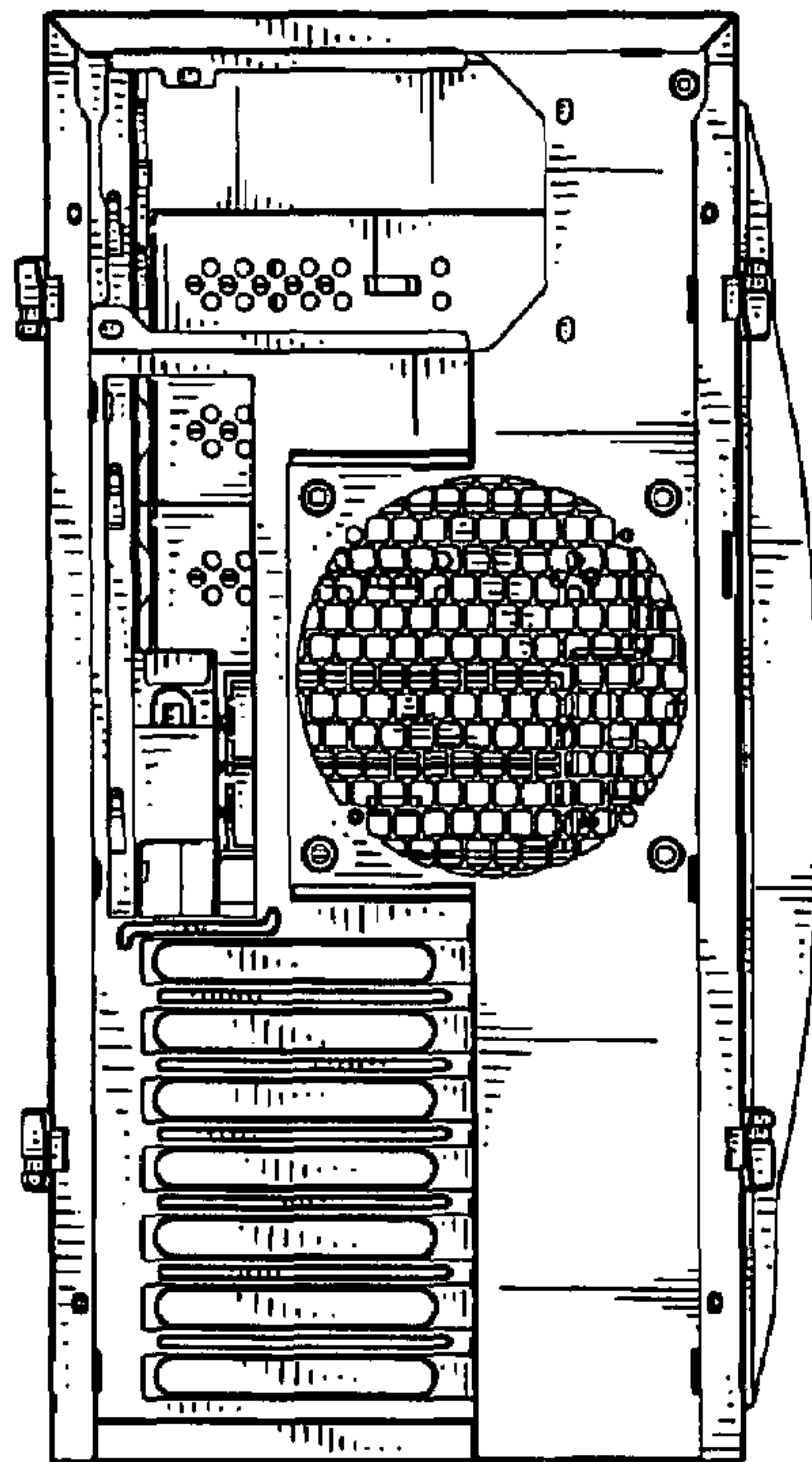


FIG. 3

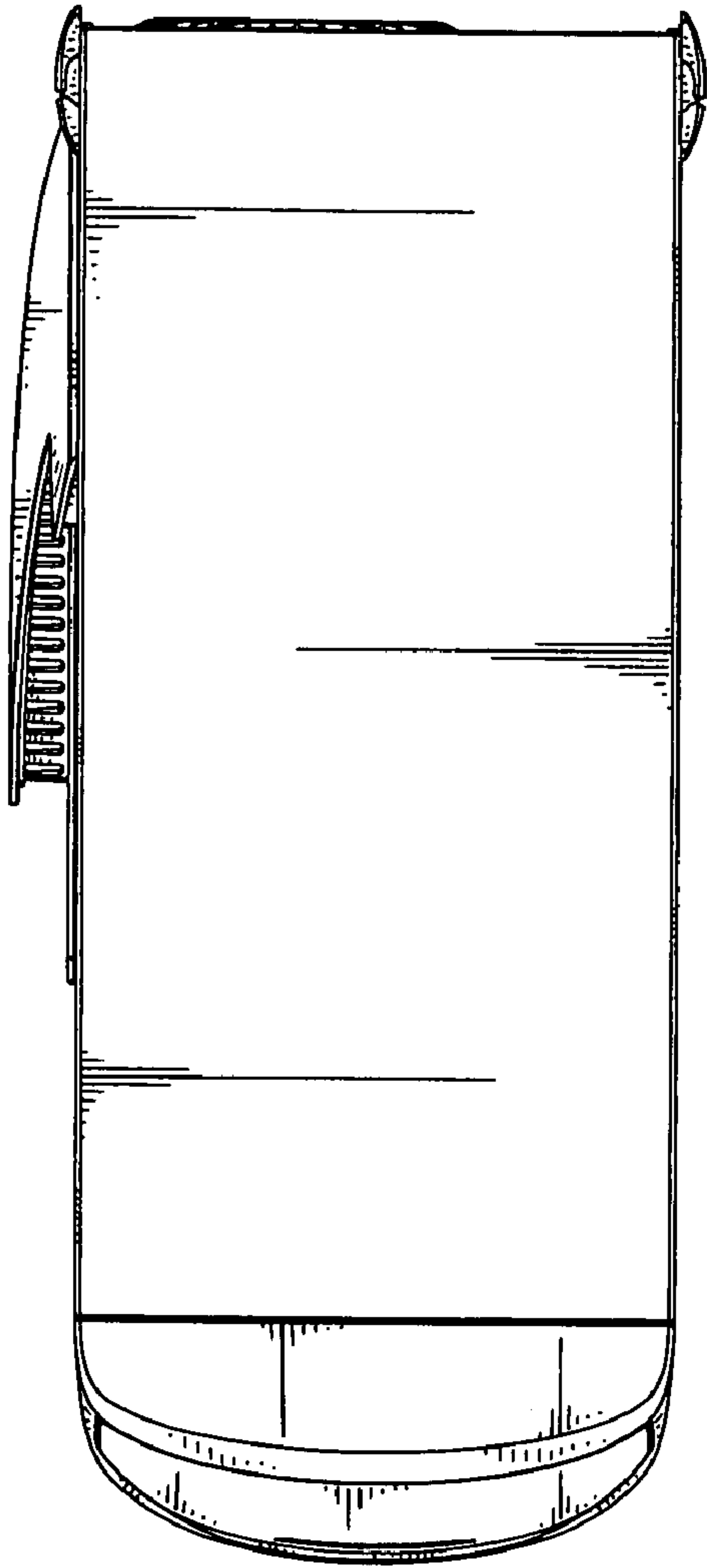


FIG.4

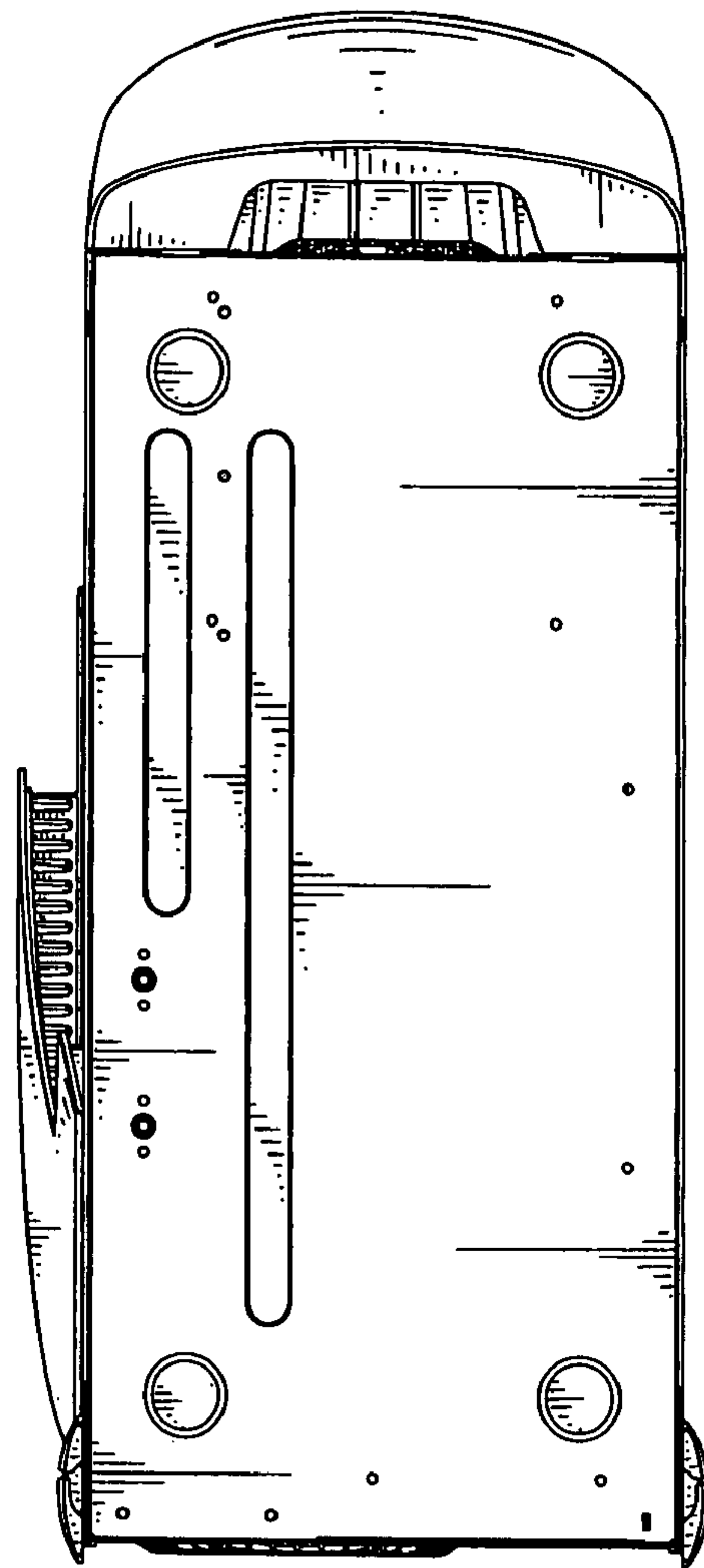


FIG.5

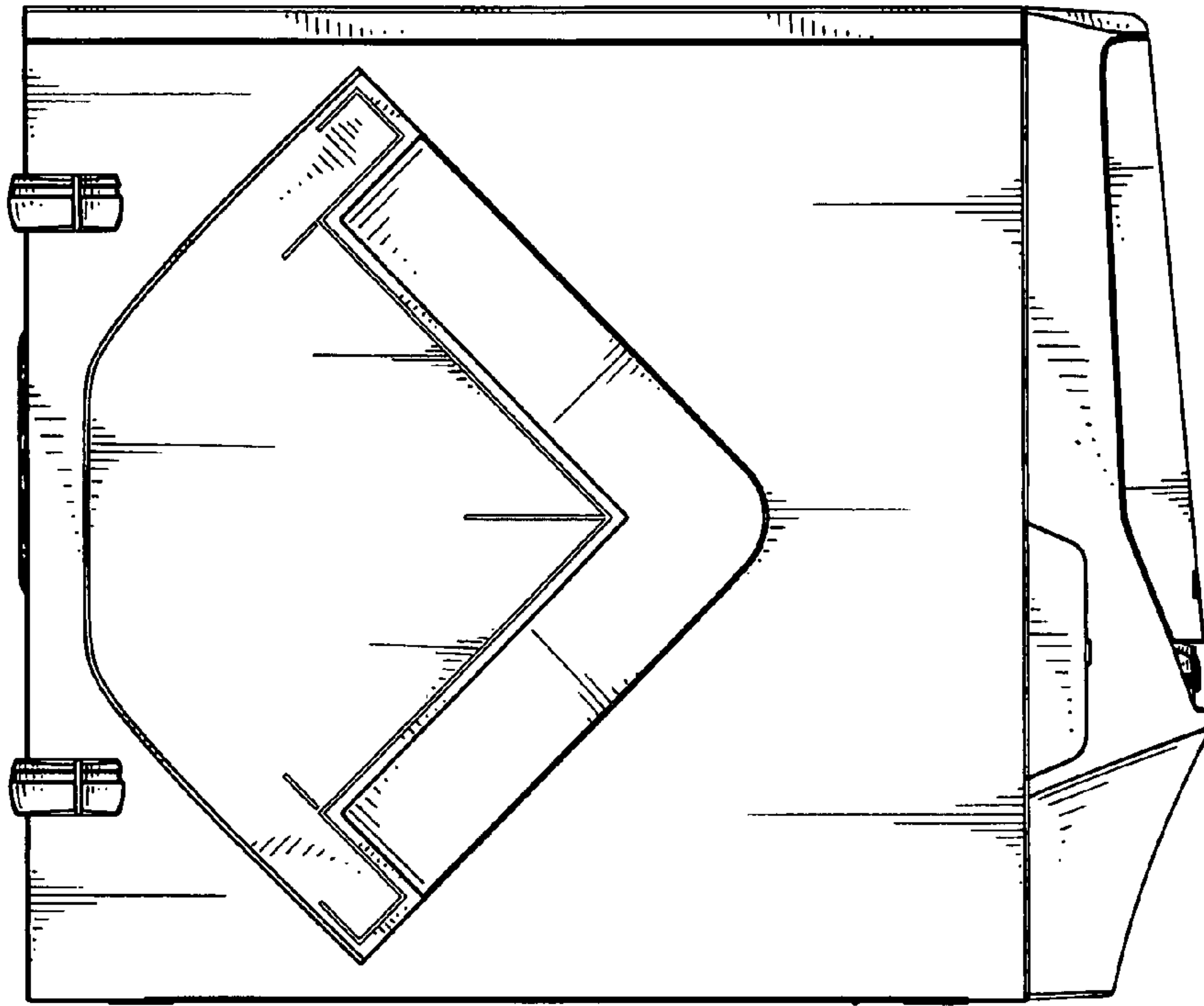


FIG. 6

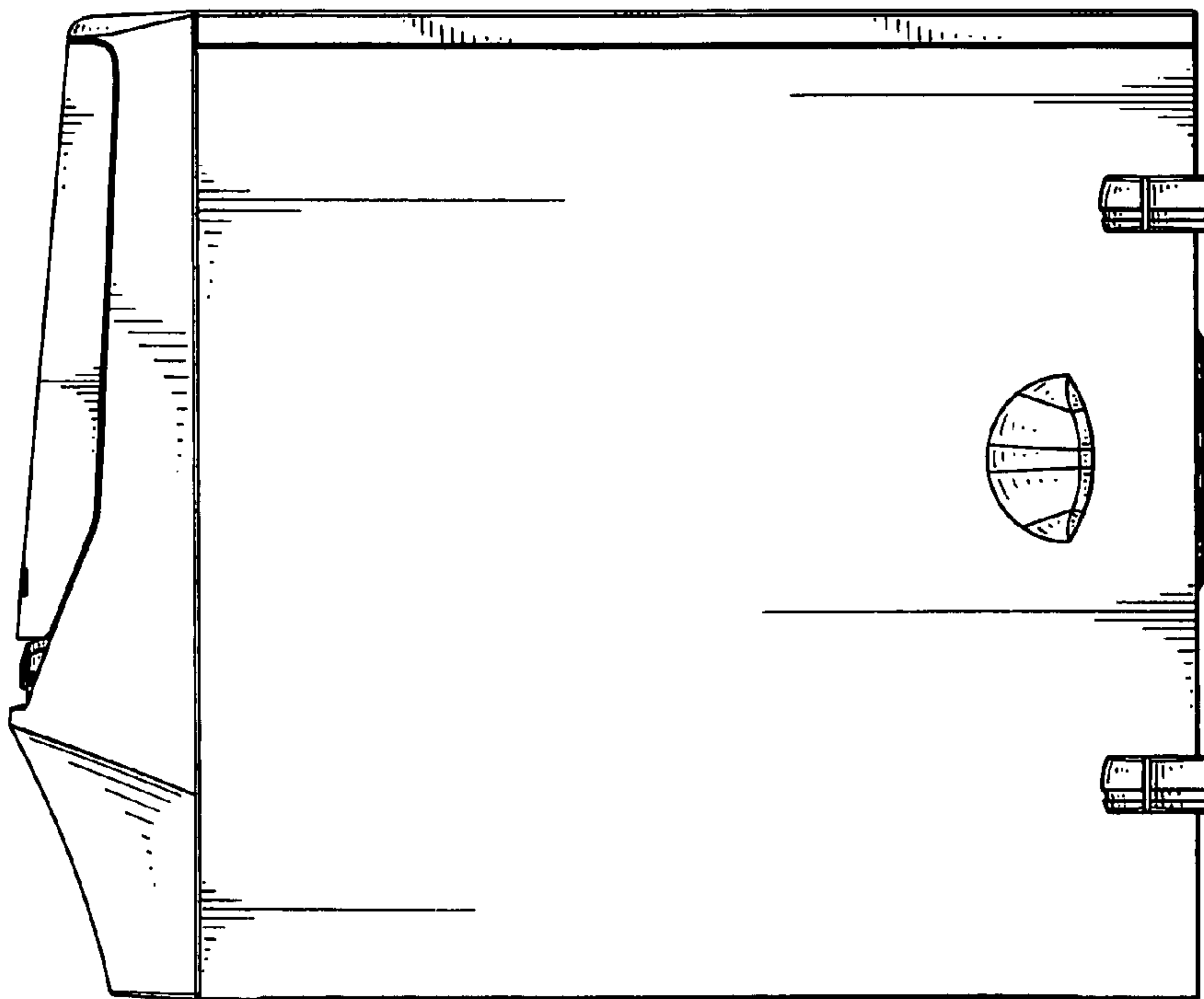


FIG. 7