



US00D578115S

(12) **United States Design Patent**
Brignull et al.

(10) **Patent No.:** **US D578,115 S**
(45) **Date of Patent:** **** Oct. 7, 2008**

(54) **MOUNTING DEVICE FOR A VIDEO DISPLAY MONITOR**

D559,661 S * 1/2008 Wohlford et al. D8/373
FOREIGN PATENT DOCUMENTS

(75) Inventors: **Ian Brignull**, Chelmsford (GB); **John Borrowdale**, London (GB)

WO WO 2006/044851 4/2006

* cited by examiner

(73) Assignee: **Centurion Electronics PLC** (GB)

Primary Examiner—Raphael Barka
Assistant Examiner—Randall H Gholson

(**) Term: **14 Years**

(74) *Attorney, Agent, or Firm*—Hayes Soloway P.C.

(21) Appl. No.: **29/302,439**

(57) **CLAIM**

(22) Filed: **Jan. 16, 2008**

The ornamental design for a mounting device for a video display monitor, as shown and described.

(30) **Foreign Application Priority Data**

DESCRIPTION

Jul. 17, 2007 (EM) 000760434

FIG. 1 is a front perspective view of a mounting device for a video display monitor showing my design;

(51) **LOC (8) Cl.** **14-03**

(52) **U.S. Cl.** **D14/239**

(58) **Field of Classification Search** D14/239,
D14/125–134, 451–454, 224, 316, 375–377,
D14/432, 439, 447, 448, 455, 457, 469; D8/363,
D8/373, 349, 394; 248/278.1, 279.1, 514,
248/291.1, 125.1, 121, 124.1, 125.7, 276.1,
248/415, 284.1, 286.1, 281.11, 292.11, 181.2,
248/917–921, 126–128, 133, 178.1, 183.1,
248/183.2, 346.01, 346.03, 349.1, 371, 473,
248/474, 512; 348/825, 827, 836, 837; 600/443
See application file for complete search history.

FIG. 2 is a left side elevation view thereof, the broken line drawing showing the mounting device for a video display monitor to a vehicle seat and with a docking leg attached to a monitor inserted in the mounting device for a video display monitor, being for illustrative purposes only and forming no part of the claimed design;

FIG. 3 is a right side elevation view thereof, the broken line drawing showing the vehicle seat, docking leg and monitor, being for illustrative purposes only and forming no part of the claimed design;

FIG. 4 is a front elevation view thereof;

FIG. 5 is a rear elevation view thereof;

FIG. 6 is a top plan view thereof, the broken line drawing showing the vehicle seat, docking leg and monitor, being for illustrative purposes only and forming no part of the claimed design; and,

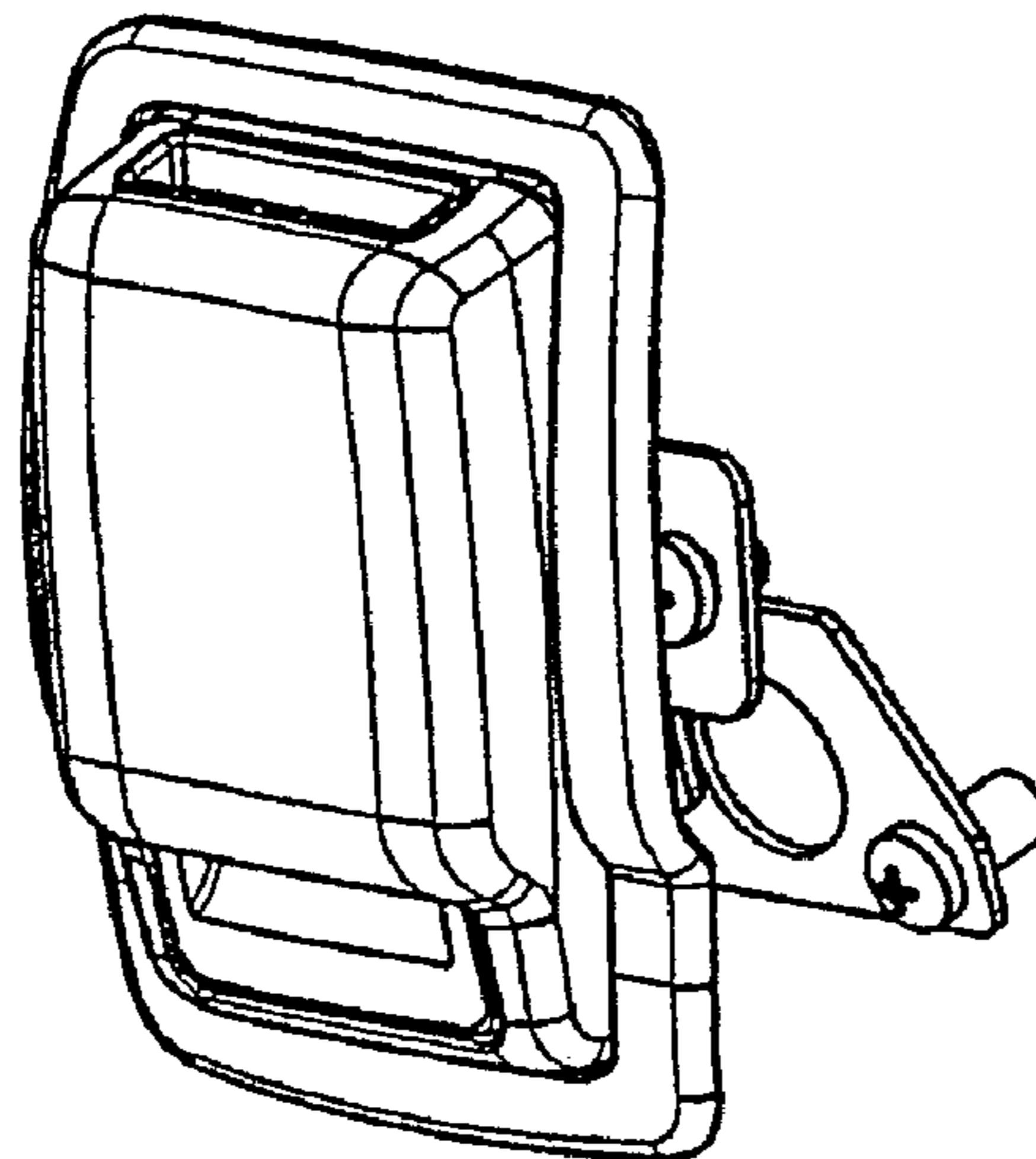
FIG. 7 is a bottom plan view thereof, the broken line drawing showing the vehicle seat, docking leg and monitor, being for illustrative purposes only and forming no part of the claimed design.

(56) **References Cited**

U.S. PATENT DOCUMENTS

4,335,863 A * 6/1982 Rapps 248/316.7
5,529,265 A 6/1996 Sakurai
6,244,553 B1 * 6/2001 Wang 248/278.1
D455,066 S * 4/2002 Kolinen D8/373
6,446,923 B1 * 9/2002 Olkkola 248/278.1
6,856,506 B2 * 2/2005 Doherty et al. 361/683
7,296,771 B2 * 11/2007 Kalis et al. 248/288.31
D559,657 S * 1/2008 Wohlford et al. D8/354

1 Claim, 4 Drawing Sheets



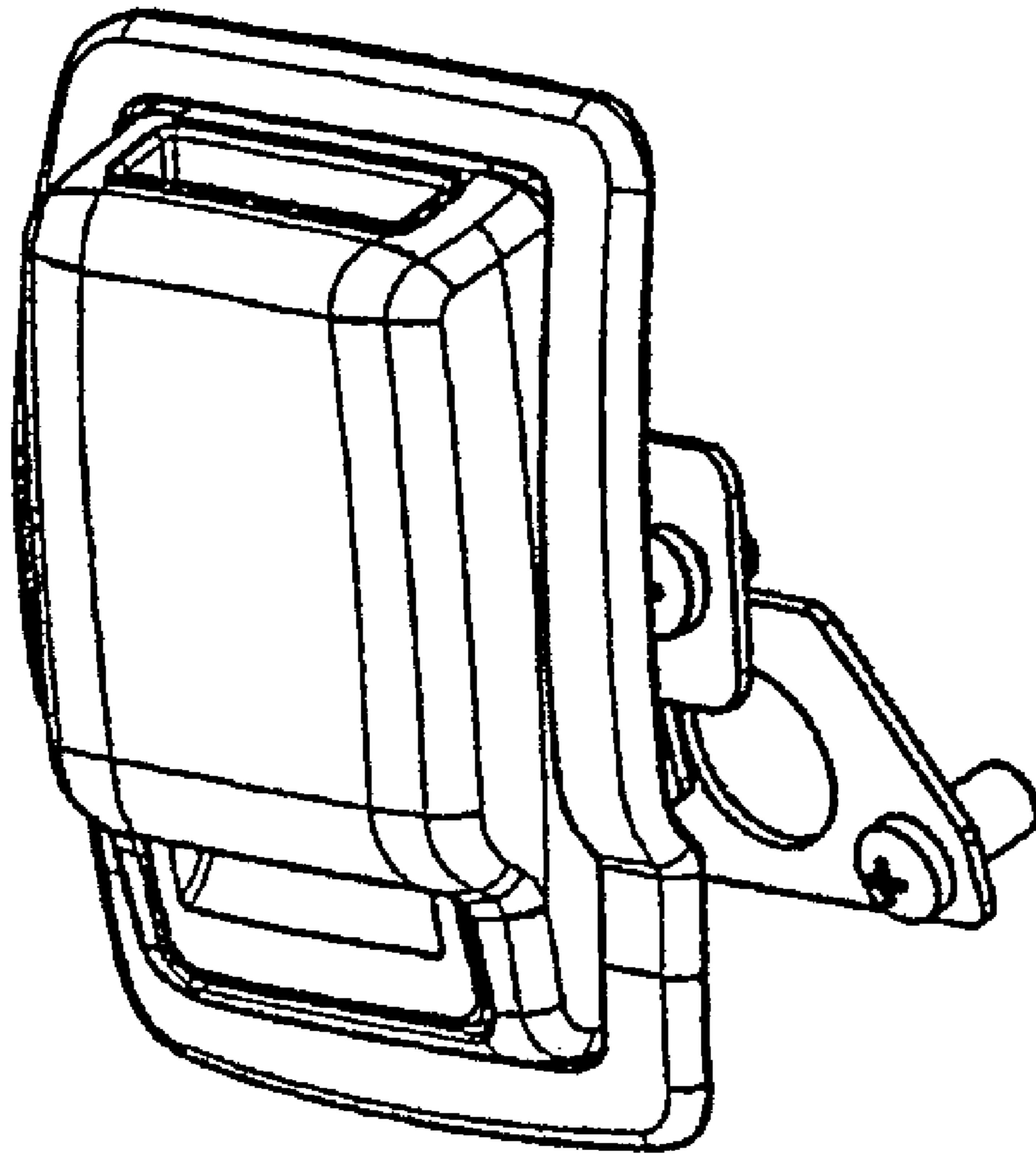


Figure 1

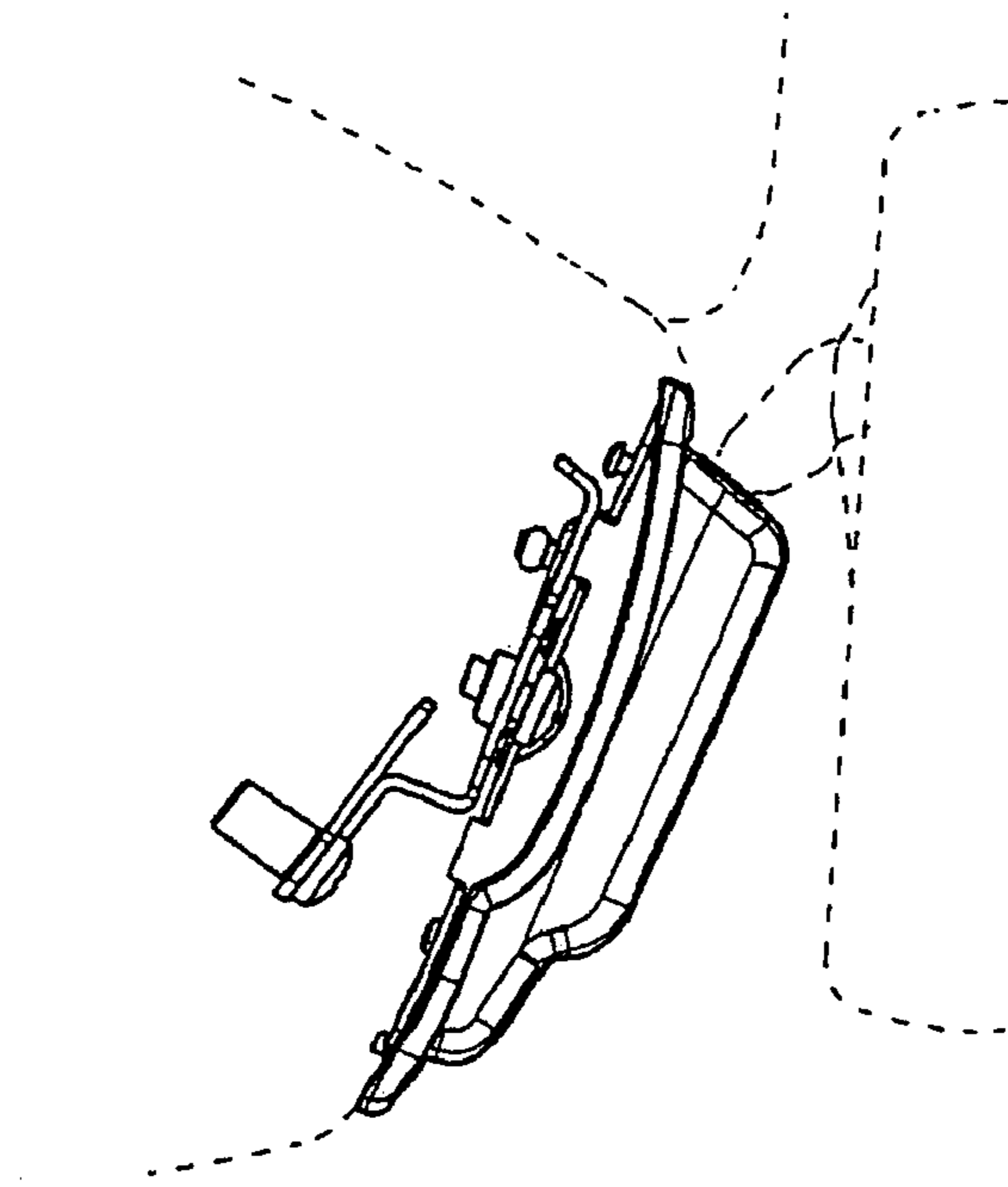


Figure 2

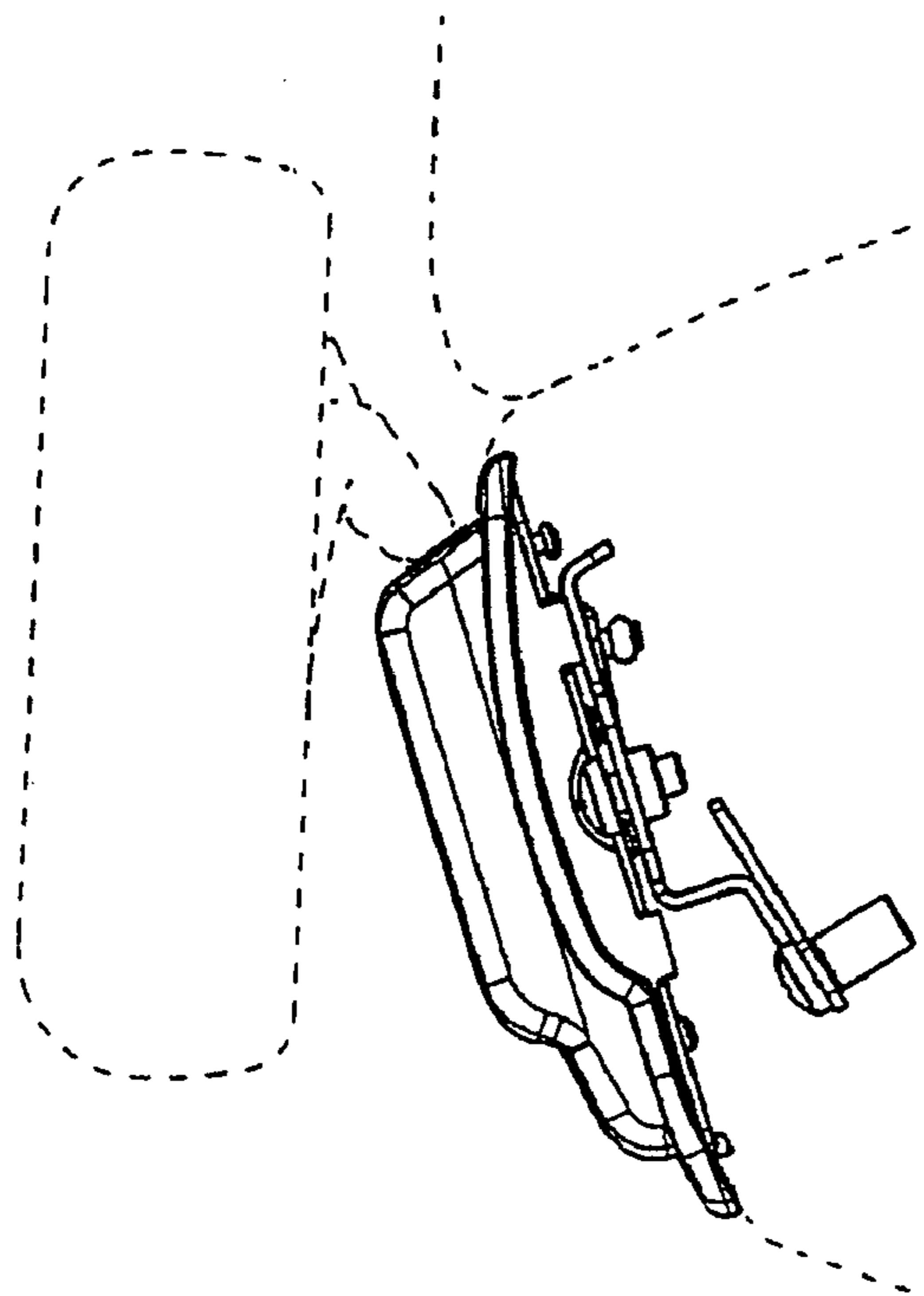


Figure 3

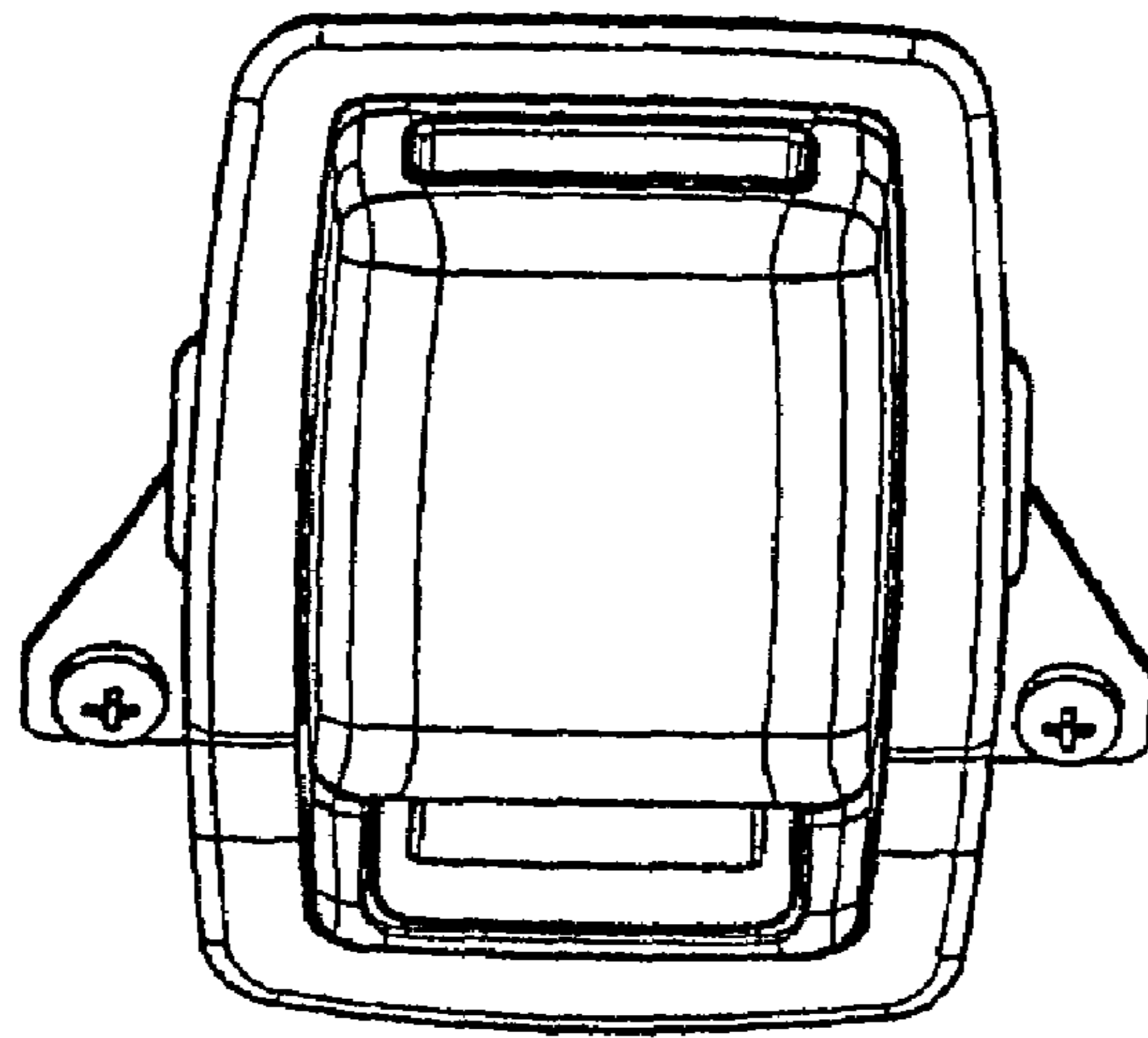


Figure 4

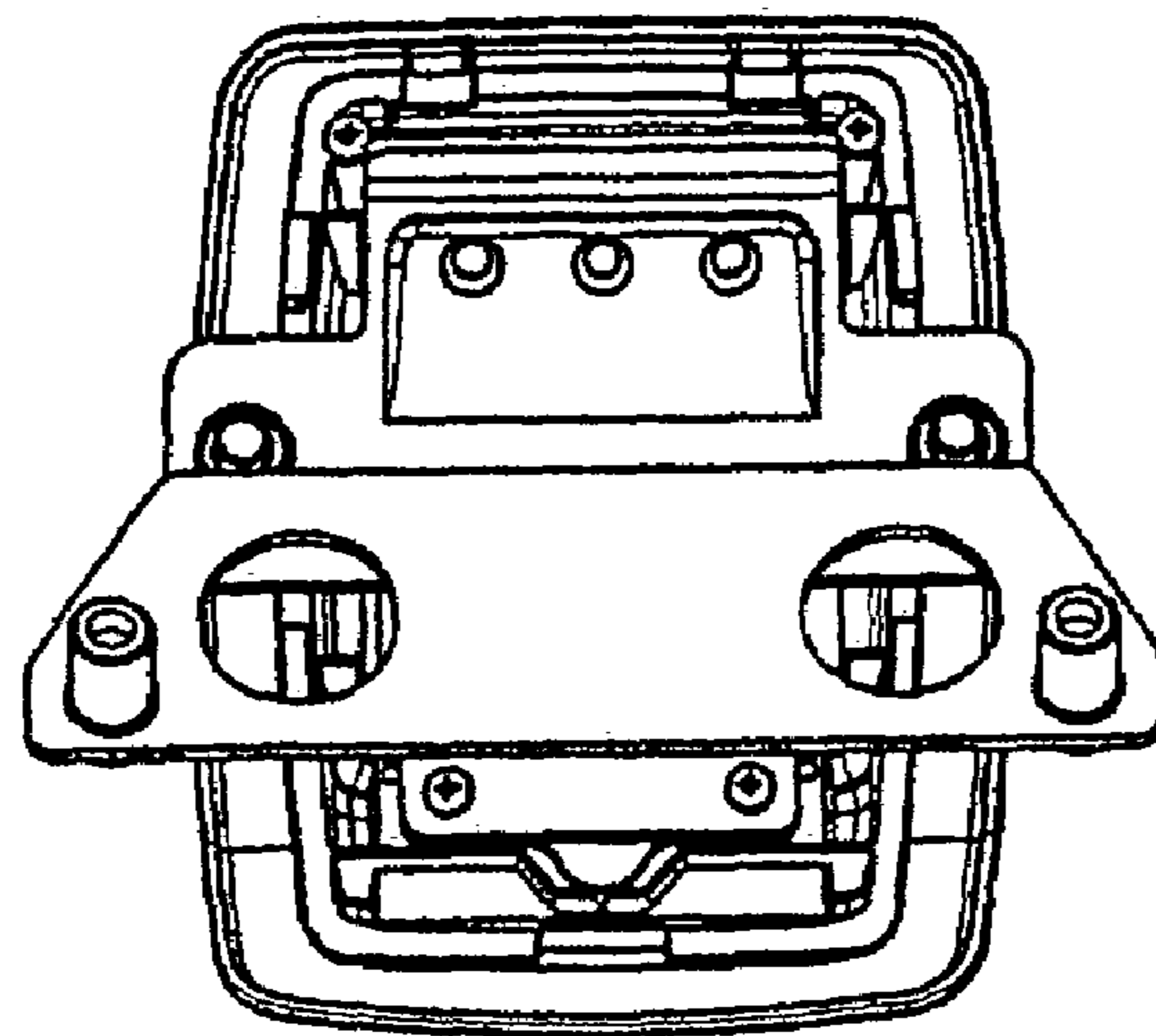


Figure 5

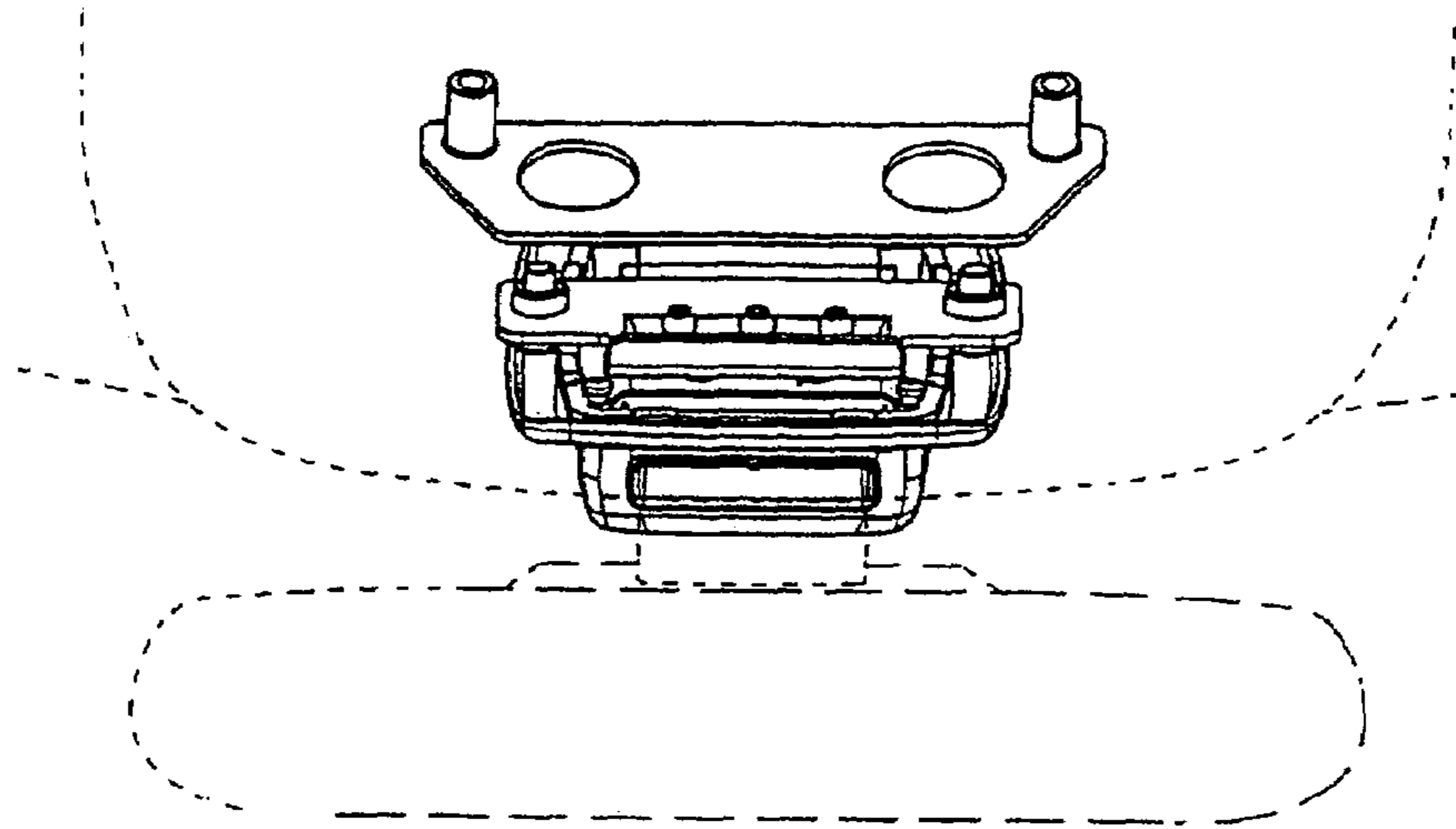


Figure 6

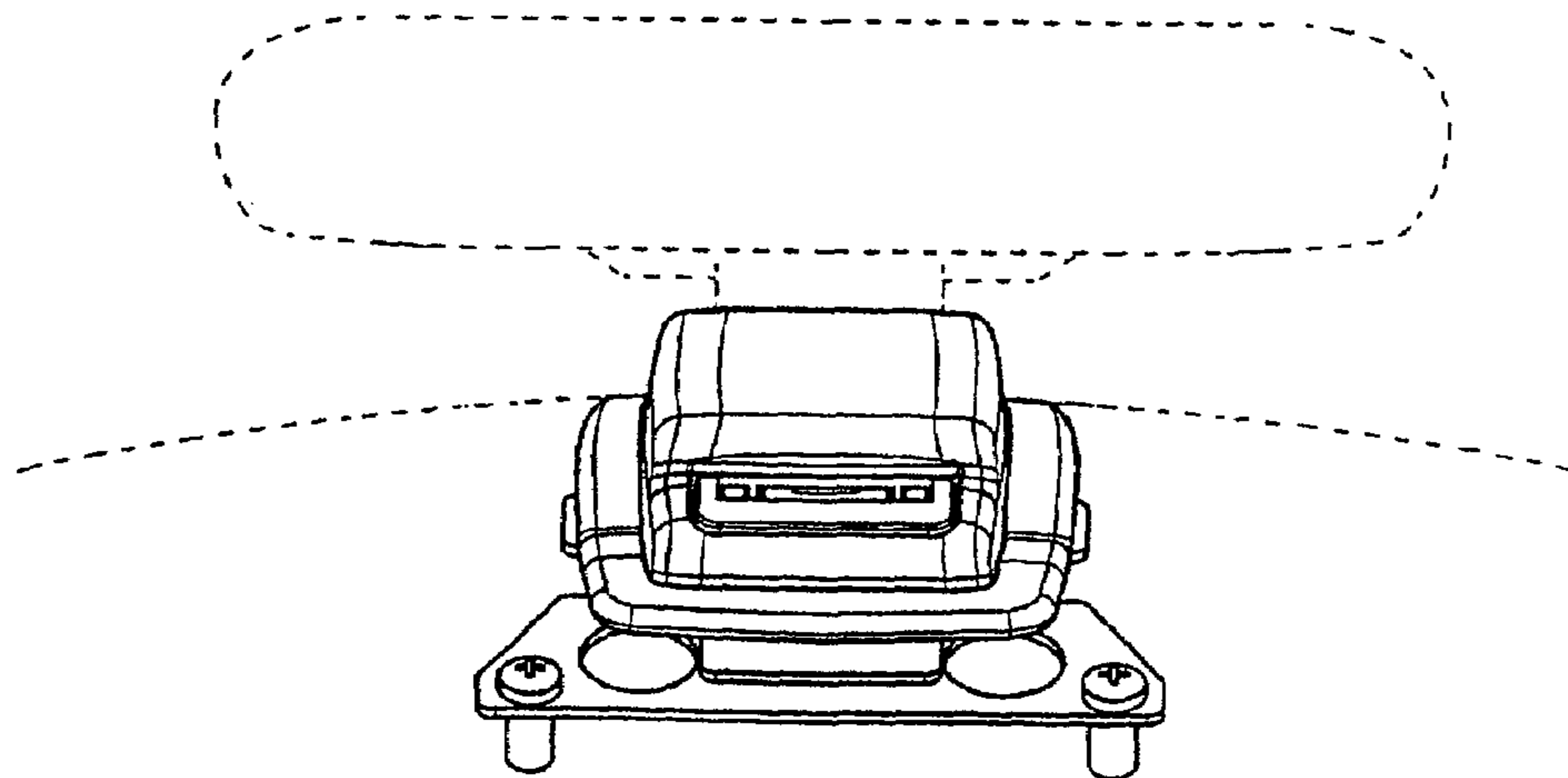


Figure 7