



US00D578114S

(12) **United States Design Patent**
Oliver

(10) **Patent No.:** **US D578,114 S**
(45) **Date of Patent:** **** Oct. 7, 2008**

(54) **RADIO FREQUENCY IDENTIFICATION TAG ANTENNA ASSEMBLY**

5,825,329 A 10/1998 Veghte et al.
5,923,300 A 7/1999 Mejia
5,929,760 A 7/1999 Monahan
5,933,039 A 8/1999 Hui et al.

(75) Inventor: **Ronald A. Oliver**, Seattle, WA (US)

(Continued)

(73) Assignee: **Impinj, Inc.**, Seattle, WA (US)

FOREIGN PATENT DOCUMENTS

(**) Term: **14 Years**

EP 0 298 618 1/1989

(21) Appl. No.: **29/285,843**

(Continued)

(22) Filed: **Apr. 11, 2007**

OTHER PUBLICATIONS

Related U.S. Application Data

U.S. Appl. No. 11/068,687, filed Sep. 2005, King et al.*

(60) Division of application No. 29/220,493, filed on Dec. 30, 2004, now abandoned, which is a continuation-in-part of application No. 10/815,474, filed on Mar. 31, 2004, now abandoned, and a continuation-in-part of application No. 10/812,493, filed on Mar. 29, 2004, now abandoned.

(Continued)

Primary Examiner—Stella M. Reid
Assistant Examiner—John Windmuller
(74) *Attorney, Agent, or Firm*—Thelen Reid Brown Raysman & Steiner LLP; David B. Ritchie

(51) **LOC (8) Cl.** **14-03**

(57) **CLAIM**

(52) **U.S. Cl.** **D14/230**

The ornamental design for a radio frequency identification tag antenna assembly, as shown and described.

(58) **Field of Classification Search** D14/138, D14/230-238, 299, 358; D12/42, 43; 343/700 R-705, 343/871-908, 795, 840, 711-713, 819, 846; 455/90.2, 90.3, 91, 128, 269, 344, 347, 562.1
See application file for complete search history.

DESCRIPTION

The present application may also be considered to be related to co-pending U.S. Design patent application Ser. No. 29/220, 504 filed Dec. 30, 2004, in the name of inventor Ronald A. Oliver, entitled "Radio Frequency Identification Tag Antenna Assembly", commonly owned herewith.

(56) **References Cited**

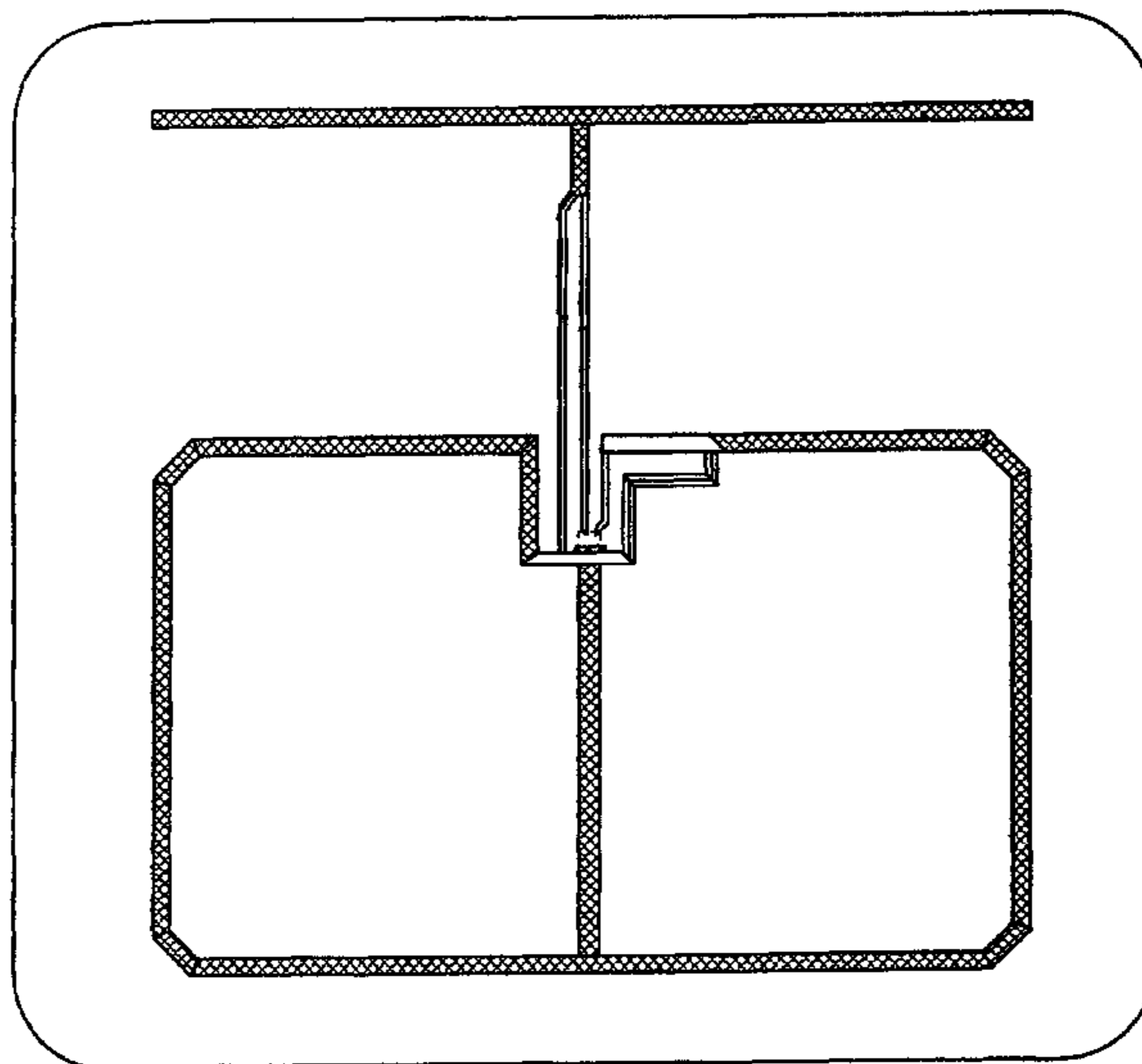
U.S. PATENT DOCUMENTS

The present application may also be considered to be related to co-pending U.S. Design patent application Ser. No. 29/220, 496 filed Dec. 30, 2004, in the name of inventor Ronald A. Oliver, entitled "Radio Frequency Identification Tag Antenna Assembly", commonly owned herewith.

- 4,315,272 A 2/1982 Vorhaus
- 4,479,260 A 10/1984 Harrop
- 4,611,184 A 9/1986 Kumar
- 4,783,783 A 11/1988 Nagai et al.
- 4,935,702 A 6/1990 Mead et al.
- 5,068,668 A 11/1991 Tsuda et al.
- 5,528,222 A 6/1996 Moskowitz et al.
- 5,572,226 A 11/1996 Tuttle
- 5,719,586 A 2/1998 Tuttle
- 5,805,632 A 9/1998 Leger

The FIGURE is a top plan view of a radio frequency identification tag antenna assembly showing my new design.

1 Claim, 1 Drawing Sheet



U.S. PATENT DOCUMENTS

5,939,945 A 8/1999 Thewes et al.
 5,995,048 A 11/1999 Smithgall et al.
 6,005,529 A 12/1999 Hutchinson
 6,025,784 A 2/2000 Mish
 6,043,746 A 3/2000 Sorrells
 6,045,652 A 4/2000 Tuttle et al.
 6,069,564 A 5/2000 Hatano et al.
 6,097,345 A 8/2000 Walton
 6,118,379 A 9/2000 Kodukula et al.
 6,130,612 A 10/2000 Castellano et al.
 6,130,632 A 10/2000 Opris
 6,134,182 A 10/2000 Pilo et al.
 6,147,605 A 11/2000 Vega et al.
 6,147,655 A 11/2000 Roesner
 6,166,706 A 12/2000 Gallagher, III et al.
 6,184,841 B1 2/2001 Shober et al.
 6,215,402 B1 4/2001 Rao Kodukula et al.
 6,266,362 B1 7/2001 Tuttle et al.
 6,268,796 B1 7/2001 Gnadinger et al.
 6,271,793 B1 8/2001 Brady et al.
 6,320,788 B1 11/2001 Sansbury et al.
 6,340,932 B1 1/2002 Rodgers et al.
 6,346,922 B1 2/2002 Proctor et al.
 6,357,025 B1 3/2002 Tuttle
 6,366,260 B1 4/2002 Carrender
 6,396,438 B1 5/2002 Seal
 6,445,297 B1 9/2002 Nicholson
 6,517,000 B1 2/2003 McAllister et al.
 6,571,617 B2 6/2003 Van Niekerk et al.
 6,677,917 B2 1/2004 Van Heerden et al.
 6,700,491 B2 3/2004 Shafer
 6,701,605 B2 3/2004 Huffer et al.
 6,717,923 B1 4/2004 Smith
 6,720,930 B2 4/2004 Johnson et al.
 D492,670 S 7/2004 Hung et al.
 D493,446 S 7/2004 Hung et al.
 6,830,193 B2 12/2004 Tanaka
 7,005,968 B1 2/2006 Bridgelall
 2001/0043162 A1 11/2001 Babb
 2002/0067315 A1 6/2002 Kunysz
 2002/0075184 A1 6/2002 Tuttle
 2002/0109636 A1 8/2002 Johnson et al.
 2002/0126057 A1 9/2002 King et al.
 2002/0167405 A1 11/2002 Shanks et al.
 2003/0090313 A1 5/2003 Burgener et al.
 2003/0184495 A1 10/2003 Tomon

2004/0001024 A1 1/2004 Killen et al.
 2004/0075616 A1 4/2004 Endo et al.
 2004/0125023 A1 7/2004 Fujii et al.
 2004/0183743 A1 9/2004 Reasoner et al.
 2005/0028032 A1 2/2005 Klein
 2005/0104789 A1 5/2005 Hashidate et al.
 2005/0104793 A1 5/2005 Yuanzhu
 2005/0104797 A1 5/2005 McCollum
 2005/0134460 A1 6/2005 Usami
 2005/0227631 A1 10/2005 Robinett
 2005/0231434 A1* 10/2005 Azadegan et al. 343/767
 2005/0259030 A1 11/2005 Mizuno et al.
 2006/0028379 A1 2/2006 Oberle
 2006/0038724 A1* 2/2006 Tikhov et al. 343/700 MS
 2006/0038725 A1 2/2006 Tikhov et al.
 2006/0038730 A1 2/2006 Parsche
 2006/0044192 A1 3/2006 Egbert
 2006/0055620 A1 3/2006 Oliver et al.
 2006/0139223 A1 6/2006 Li et al.
 2006/0208897 A1 9/2006 Chiu et al.
 2006/0208900 A1 9/2006 Hozouri
 2006/0244676 A1 11/2006 Uesaka
 2006/0262023 A1 11/2006 Engargiola et al.
 2007/0096993 A1* 5/2007 Tikhov et al. 343/700 MS
 2007/0103379 A1* 5/2007 Choi et al. 343/700 MS
 2007/0205953 A1* 9/2007 Bombay et al. 343/841

FOREIGN PATENT DOCUMENTS

EP 0 435 137 7/1991
 WO 01/73854 10/2001

OTHER PUBLICATIONS

Carley, L. Richard, "Trimming Analog Circuits Using Floating Gate Analog MOS Memory", IEEE Journal of Solid-State Circuits, vol 24, No. 6, Dec. 1989, pp. 1569-1575.
 Joneitz, Erika, "Tracking Privacy", Technology Review, Jul./Aug. 2004, pp. 74-75.
 Raszka et al., "Embedded Flash Memory for Security Applications in a 0.13 μ m CMOS Logic Process", Digest of Technical Papers, IEEE International Solid-State Circuits conference 2004, p. 46.
 Weis, Stephen A., et al., Security and Privacy Aspects of Low-Cost Radio Frequency Identification Systems, Laboratory for Computer Science, Auto-ID Center, Massachusetts Institute of Technology, pp. 1-12.
 Yoshida, Junko, "RFID 'kill' Feature Aims to Soothe Privacy Fears", EE Times, Apr. 28, 2003, pp. 1, 86.

* cited by examiner

