



US00D578113S

(12) **United States Design Patent**
Yagihashi

(10) **Patent No.:** **US D578,113 S**
(45) **Date of Patent:** **** Oct. 7, 2008**

(54) **SPEAKER**
(75) Inventor: **Tatsuya Yagihashi**, Tokyo (JP)
(73) Assignee: **Sony Corporation**, Tokyo (JP)
(**) Term: **14 Years**
(21) Appl. No.: **29/287,602**
(22) Filed: **Aug. 28, 2007**

D488,801 S 4/2004 Shindo et al.
D506,992 S 7/2005 Suzuki
D534,162 S 12/2006 Shindo
D544,857 S * 6/2007 Milne D14/224

* cited by examiner

Primary Examiner—Nanda Bondade
(74) *Attorney, Agent, or Firm*—Rader, Fishman & Grauer, PLLC

(51) **LOC (8) Cl.** **14-01**
(52) **U.S. Cl.** **D14/224**
(58) **Field of Classification Search** D14/204,
D14/209–216, 221, 224; 181/143–144, 147–148,
181/150, 157, 198–199, 151, 153; 381/300–302,
381/306, 333, 345, 361–364, 386–388, 332,
381/336, 412, 433
See application file for complete search history.

(57) **CLAIM**

The ornamental design for a speaker, as shown and described.

DESCRIPTION

FIG. 1 is a perspective view of a speaker showing my new design;
FIG. 2 is a rear elevational view thereof;
FIG. 3 is a left side elevational view thereof;
FIG. 4 is a right side elevational view thereof;
FIG. 5 is a top plan view thereof; and,
FIG. 6 is a bottom plan view thereof.

The portions indicated in broken lines are for illustrative purposes only and form no part of the claimed design.

(56) **References Cited**

U.S. PATENT DOCUMENTS

5,073,948 A * 12/1991 Vandersteen 381/433
D451,499 S * 12/2001 Stompler et al. D14/224
D455,733 S * 4/2002 Stompler et al. D14/224
D475,992 S * 6/2003 Tomotaro D14/216
D483,744 S * 12/2003 Vosse D14/224
D486,818 S 2/2004 Shindo

1 Claim, 6 Drawing Sheets

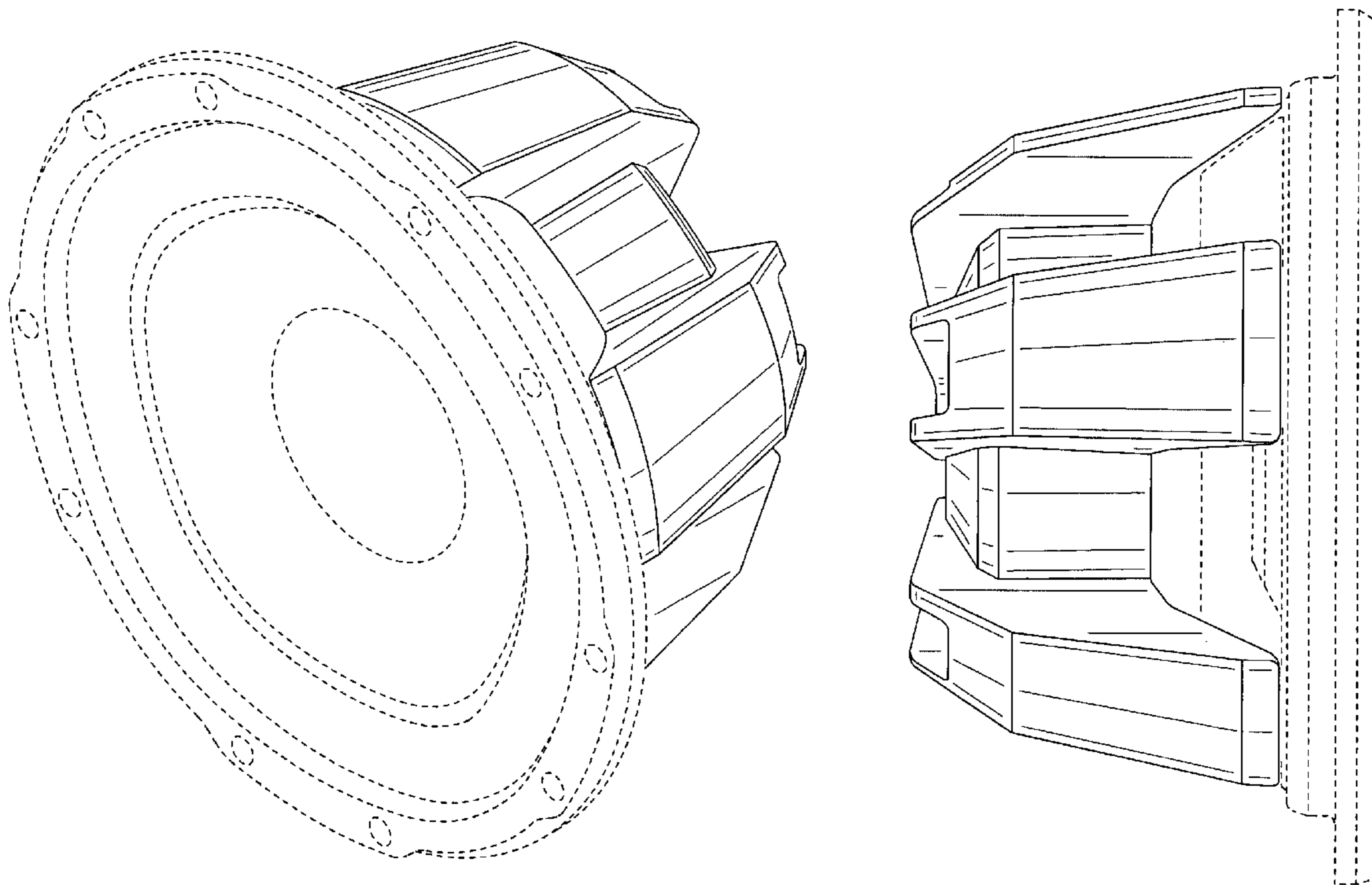


Fig.1

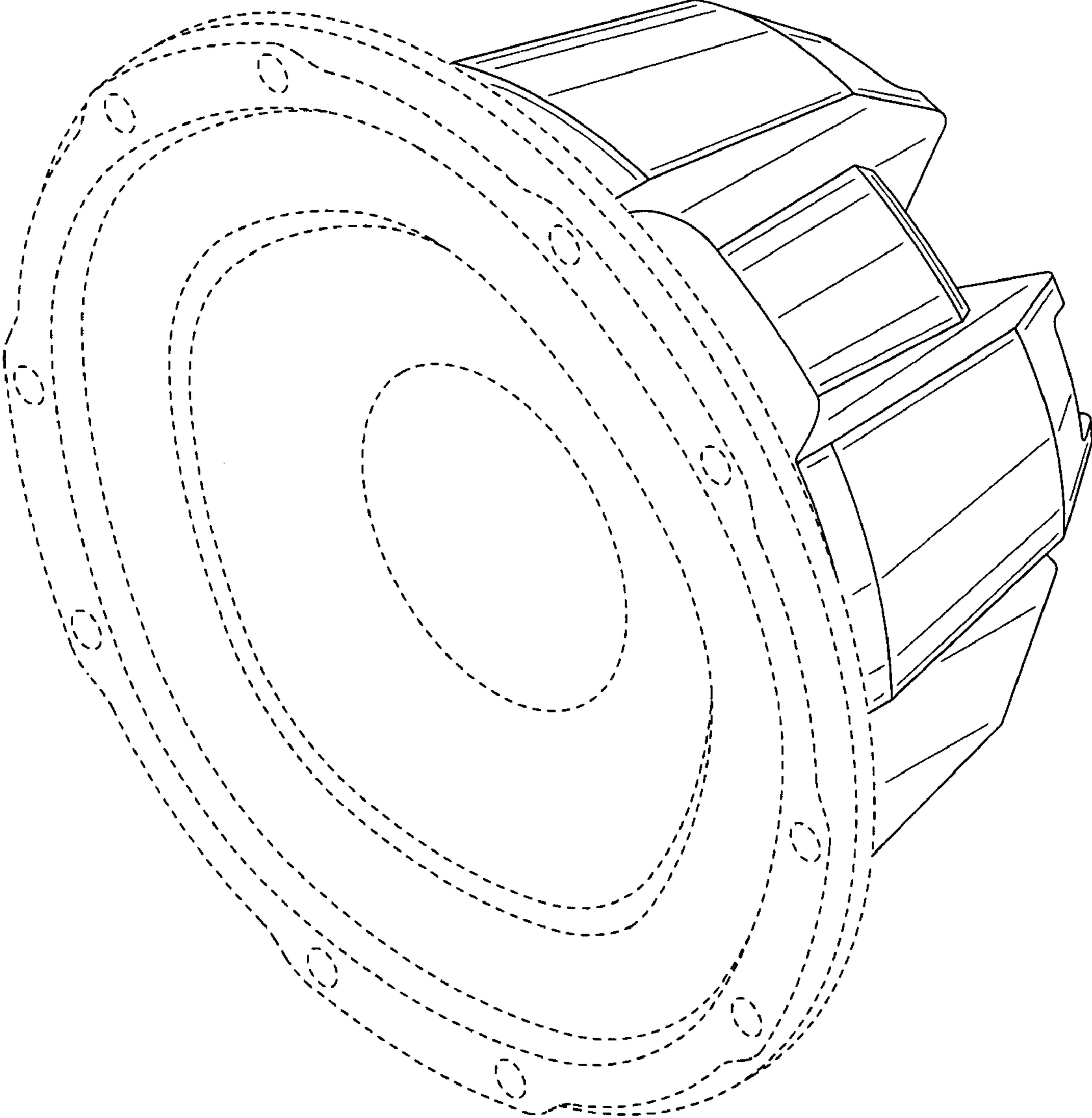


Fig.2

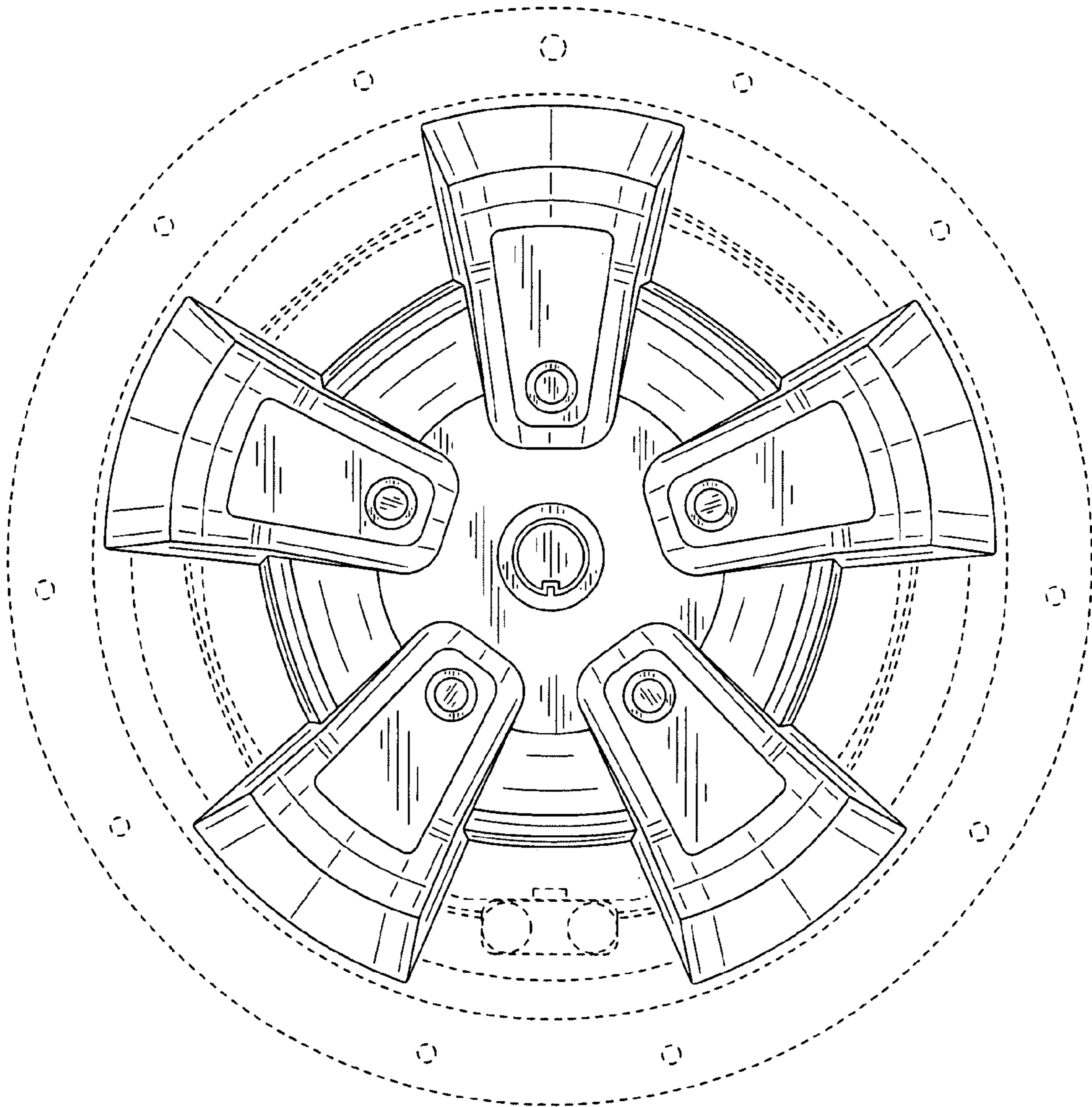


Fig.3

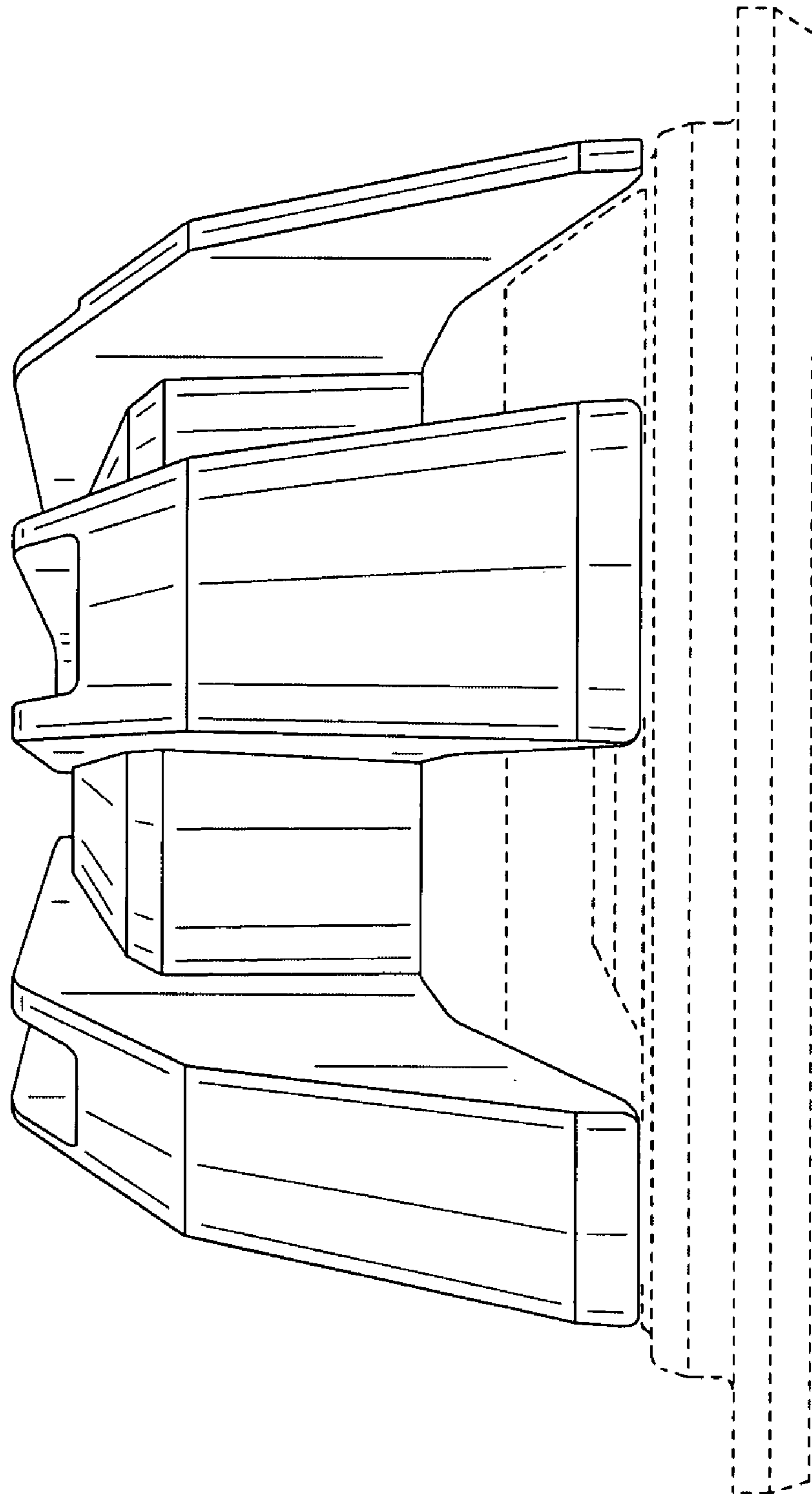


Fig.4

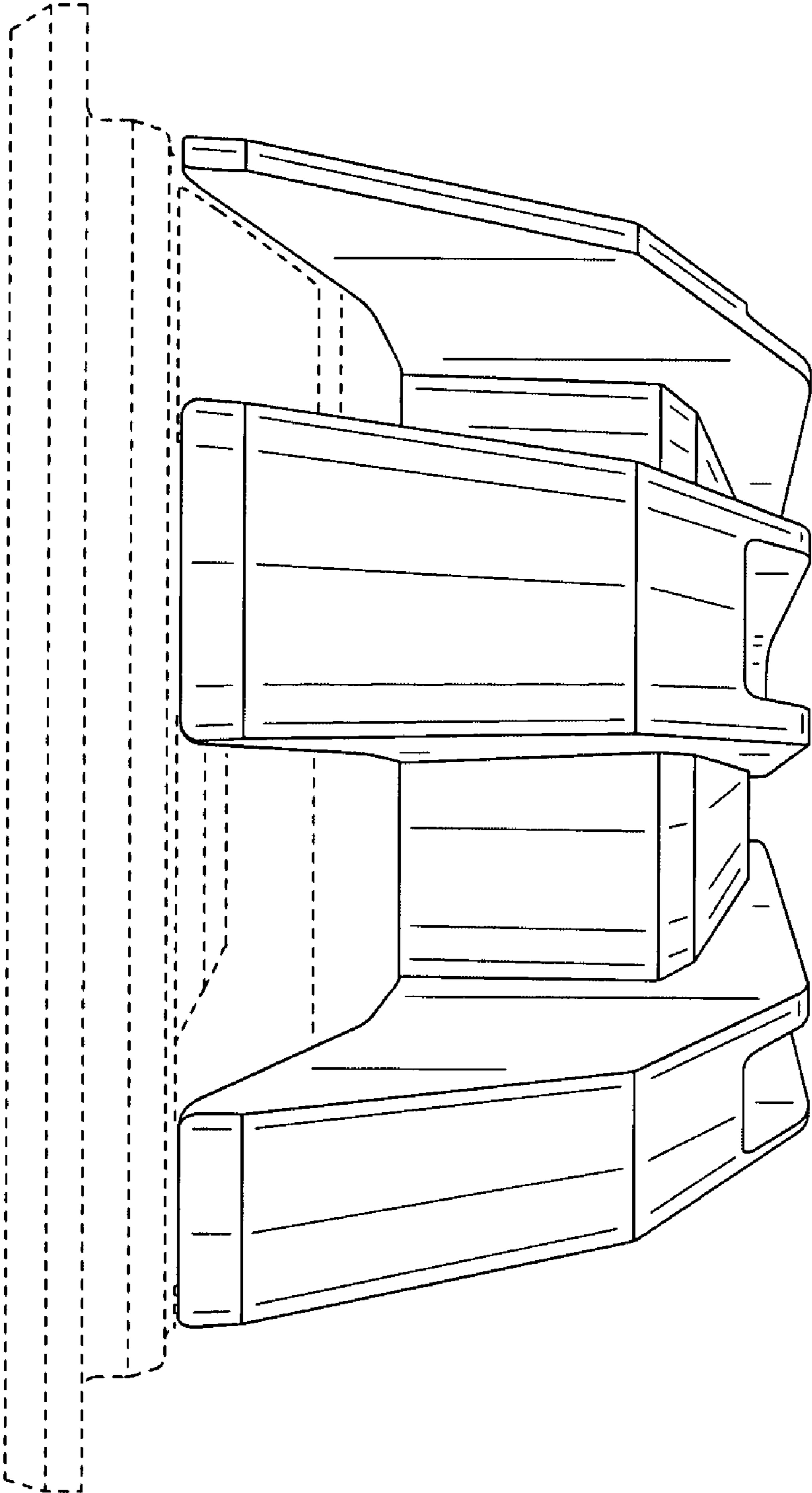


Fig.5

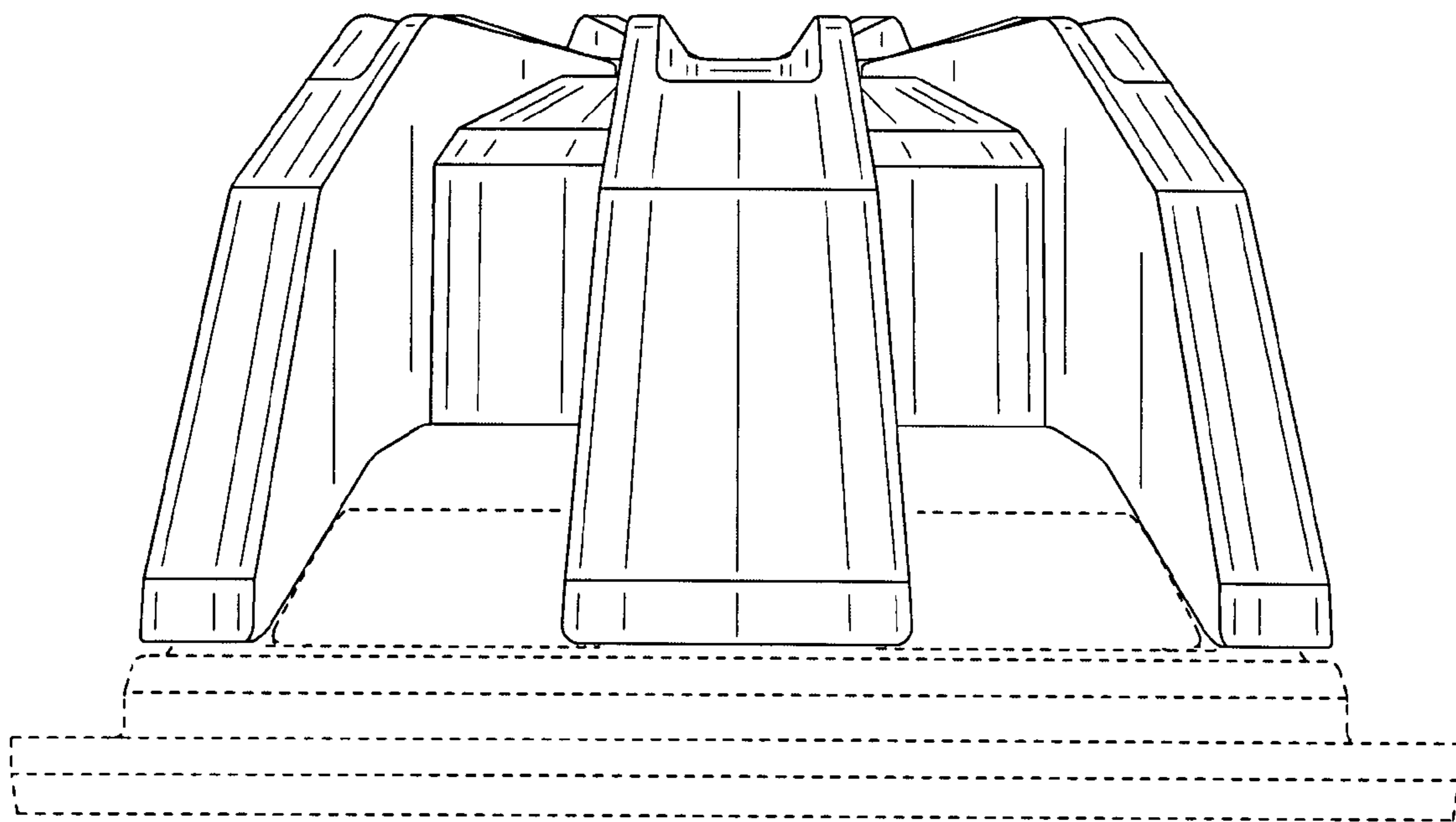


Fig.6

