



US00D578112S

(12) **United States Design Patent**  
**Naito**

(10) **Patent No.:** **US D578,112 S**  
(45) **Date of Patent:** **\*\* Oct. 7, 2008**

(54) **SPEAKER**  
(75) Inventor: **Takahiro Naito**, Tokyo (JP)  
(73) Assignee: **Sony Corporation**, Tokyo (JP)  
(\*\*) Term: **14 Years**  
(21) Appl. No.: **29/287,601**  
(22) Filed: **Aug. 28, 2007**

D488,801 S 4/2004 Shindo et al.  
D506,992 S 7/2005 Suzuki  
D534,162 S 12/2006 Shindo  
D544,857 S \* 6/2007 Milne ..... D14/224

\* cited by examiner

*Primary Examiner*—Nanda Bondade  
(74) *Attorney, Agent, or Firm*—Rader, Fishman & Grauer, PLLC

(51) **LOC (8) Cl.** ..... **14-01**  
(52) **U.S. Cl.** ..... **D14/224**  
(58) **Field of Classification Search** ..... D14/204,  
D14/209–216, 221, 224; 181/143–144, 147–148,  
181/150, 157, 198–199, 151, 153; 381/300–302,  
381/306, 333, 345, 361–364, 386–388, 332,  
381/336, 412, 433  
See application file for complete search history.

(57) **CLAIM**

The ornamental design for a speaker, as shown and described.

**DESCRIPTION**

FIG. 1 is a perspective view of a speaker showing my new design;  
FIG. 2 is a rear elevational view thereof;  
FIG. 3 is a left side elevational view thereof;  
FIG. 4 is a right side elevational view thereof;  
FIG. 5 is a top plan view thereof; and,  
FIG. 6 is a bottom plan view thereof.

The portions indicated in broken lines are for illustrative purposes only and form no part of the claimed design.

(56) **References Cited**

**U.S. PATENT DOCUMENTS**

5,073,948 A \* 12/1991 Vandersteen ..... 381/433  
D451,499 S \* 12/2001 Stompler et al. .... D14/224  
D455,733 S \* 4/2002 Stompler et al. .... D14/224  
D475,992 S \* 6/2003 Tomotaro ..... D14/216  
D483,744 S \* 12/2003 Vosse ..... D14/224  
D486,818 S 2/2004 Shindo

**1 Claim, 6 Drawing Sheets**

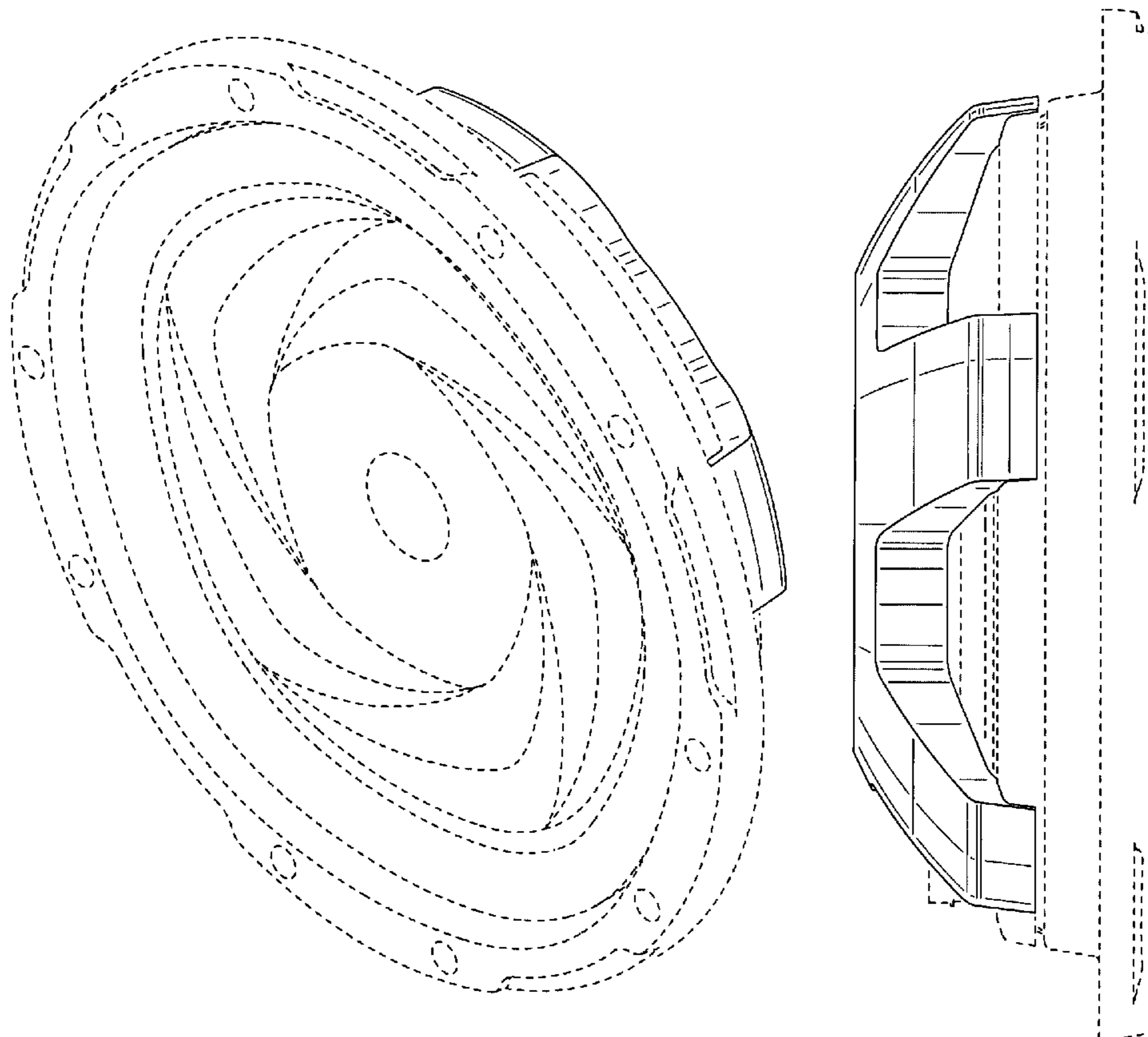


Fig. 1

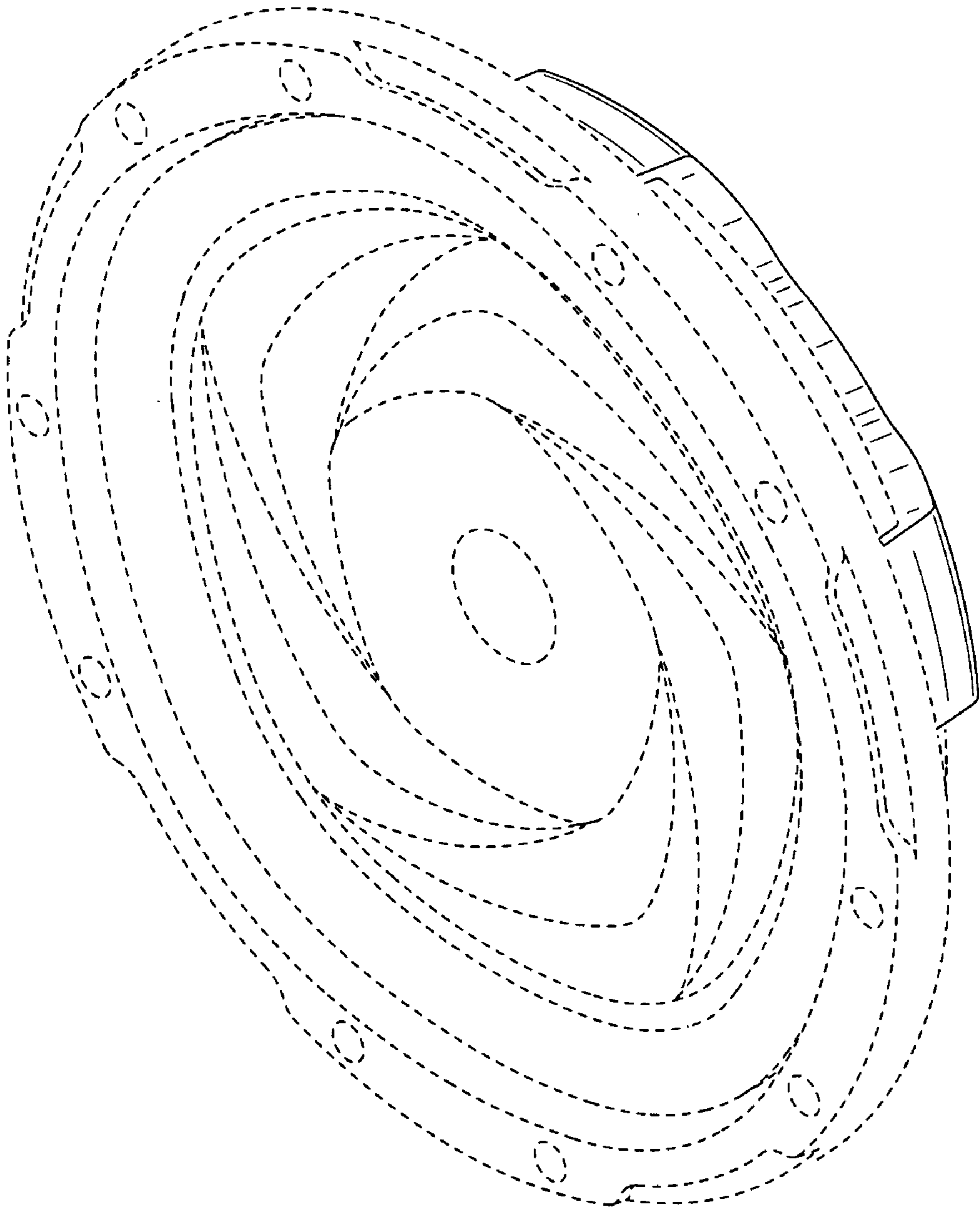


Fig.2

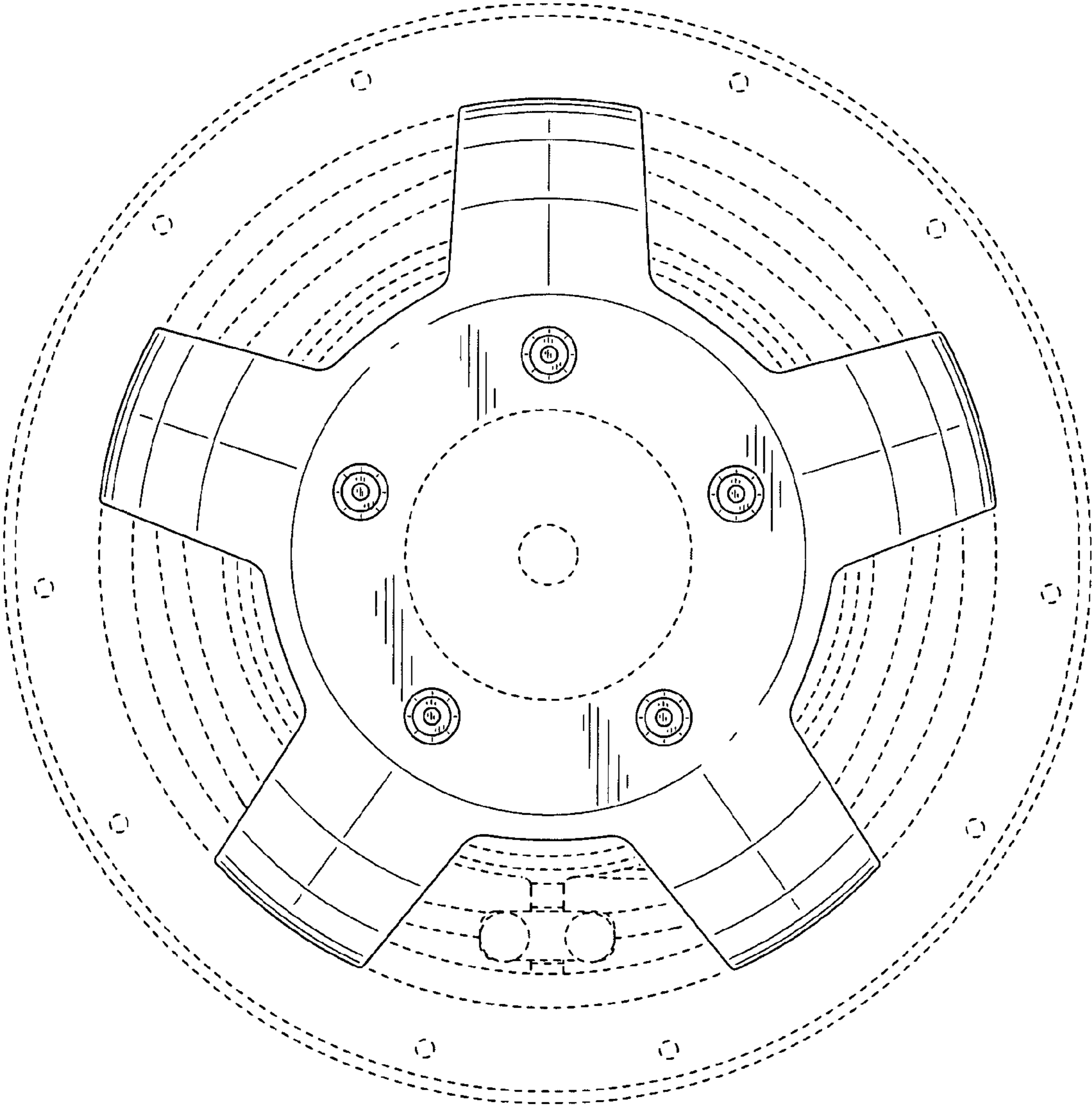


Fig.3

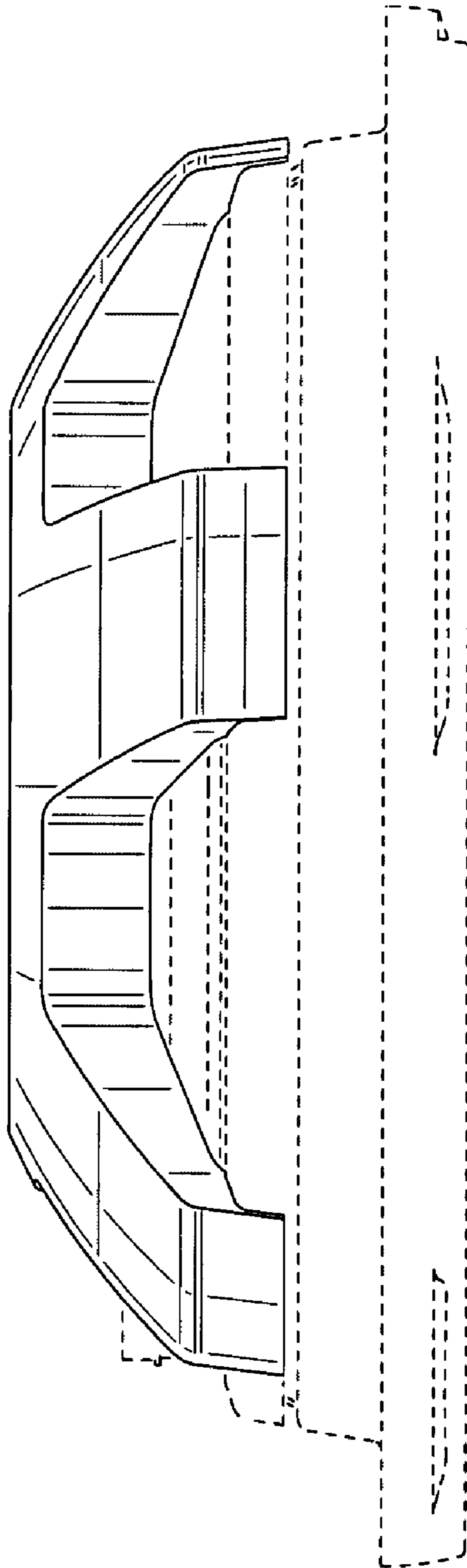


Fig.4

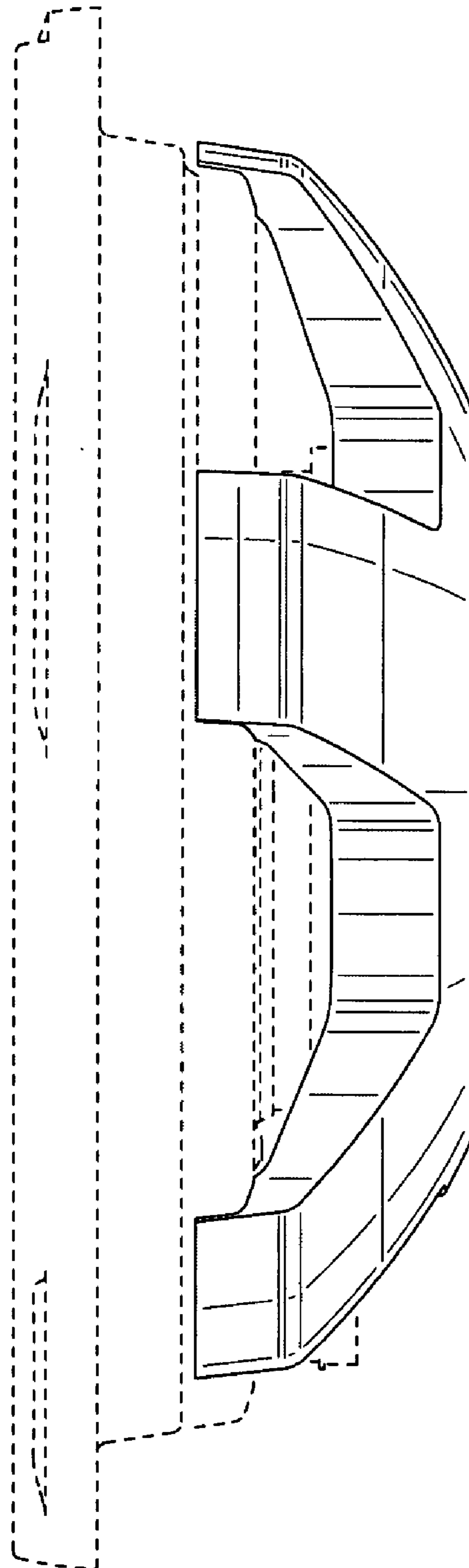


Fig.5

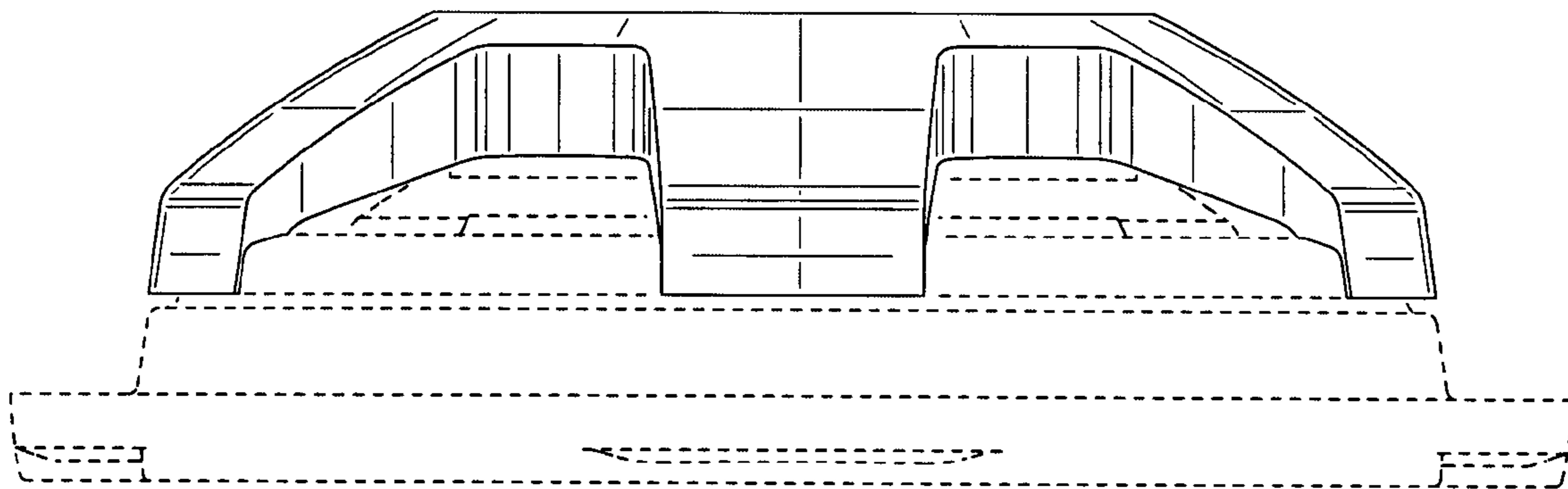




Fig.6

