



US00D578111S

(12) **United States Design Patent**
Shinozuka et al.

(10) **Patent No.:** **US D578,111 S**
(45) **Date of Patent:** **** Oct. 7, 2008**

(54) **HEADSET**

(75) Inventors: **Hiroyoshi Shinozuka**, Yao (JP); **Shunji Muraoka**, Yao (JP); **Mayumi Okano**, Yao (JP); **Hideki Ohyama**, Yao (JP)

(73) Assignee: **Hosiden Corporation**, Osaka (JP)

(**) Term: **14 Years**

(21) Appl. No.: **29/285,588**

(22) Filed: **Apr. 2, 2007**

(30) **Foreign Application Priority Data**

Oct. 2, 2006 (JP) D2006-026586

(51) **LOC (8) Cl.** **14-01**

(52) **U.S. Cl.** **D14/223; D14/205**

(58) **Field of Classification Search** D14/188,
D14/192, 205–206, 223; D24/173, 174;
181/129–130, 135; 379/430–431, 446; 381/322,
381/324, 328, 330, 370, 374, 376, 378, 380,
381/381

See application file for complete search history.

(56) **References Cited**

U.S. PATENT DOCUMENTS

D479,834 S * 9/2003 Salazar et al. D14/205
6,760,459 B2 * 7/2004 Bae 381/375
D502,171 S * 2/2005 Tang et al. D14/223
D517,054 S * 3/2006 Yang D14/223
7,031,485 B2 * 4/2006 Webber et al. 381/380
D550,658 S * 9/2007 Wang D14/223

D555,151 S * 11/2007 Eklund D14/223

FOREIGN PATENT DOCUMENTS

JP 01125735 11/2001

* cited by examiner

Primary Examiner—Paula A. Greene

(74) *Attorney, Agent, or Firm*—The Webb Law Firm

(57) **CLAIM**

The ornamental design of a headset, as shown and described.

DESCRIPTION

FIG. 1 is a front view of a headset in accordance with the present invention;

FIG. 2 is a rear view thereof;

FIG. 3 is a left side view thereof;

FIG. 4 is a right side view thereof;

FIG. 5 is a top view thereof;

FIG. 6 is a bottom view thereof;

FIG. 7 is a perspective view thereof;

FIG. 8 is a front view thereof, the holder is detached for purposes of illustration;

FIG. 9 is a rear view thereof;

FIG. 10 is a left side view thereof;

FIG. 11 is a right side view thereof;

FIG. 12 is a top view thereof;

FIG. 13 is a bottom view thereof; and,

FIG. 14 is a perspective view thereof.

1 Claim, 14 Drawing Sheets

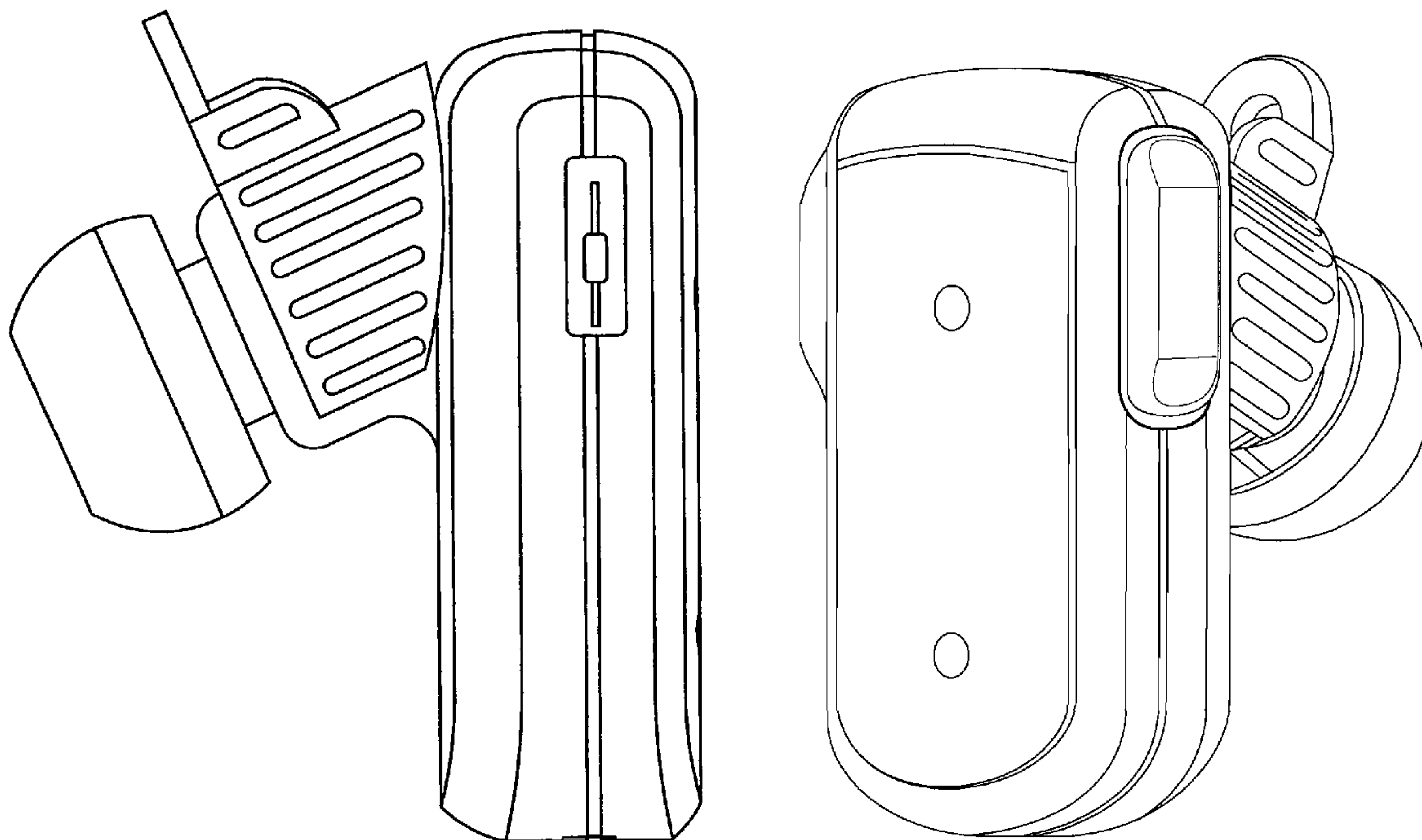


Fig. 1

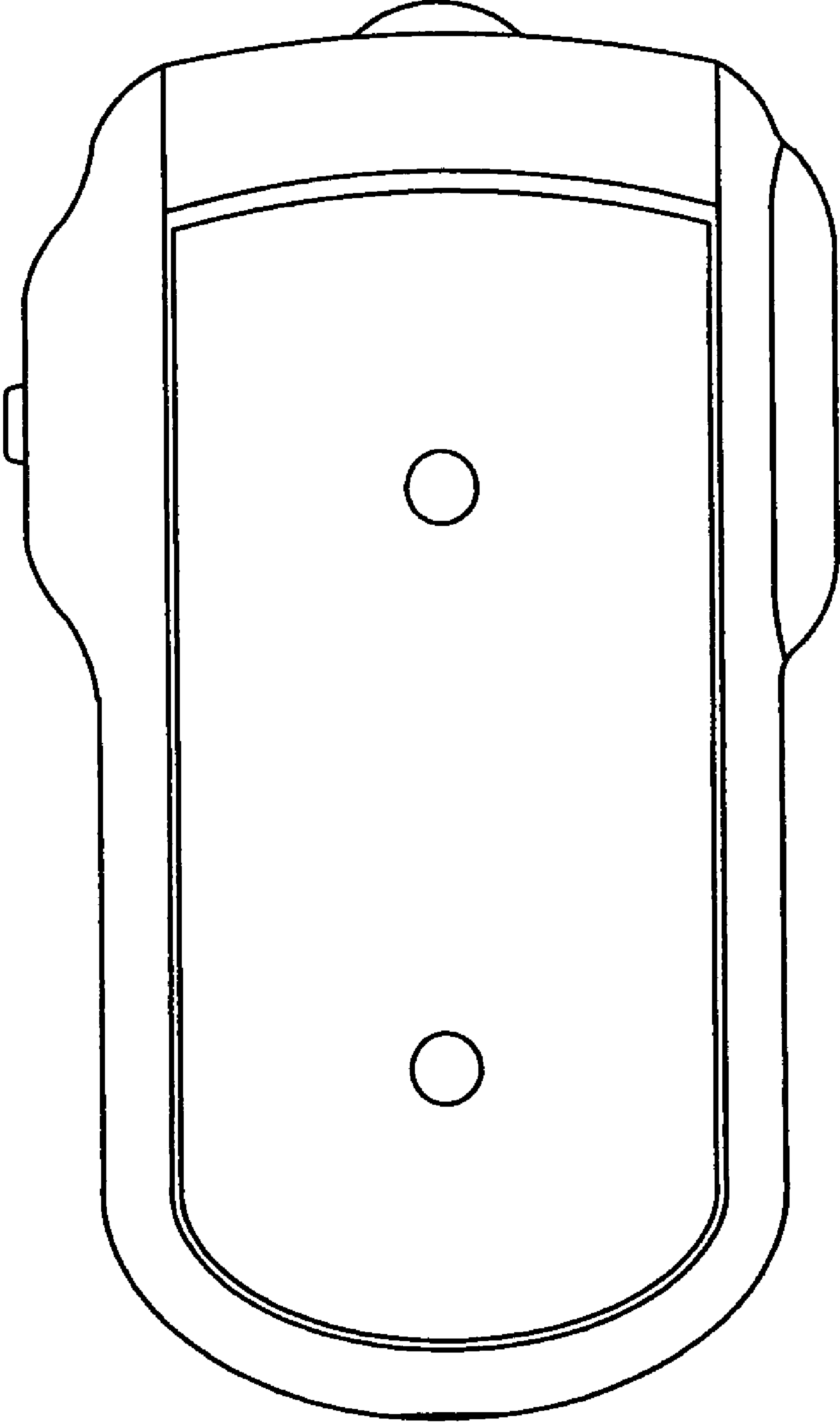


Fig. 2

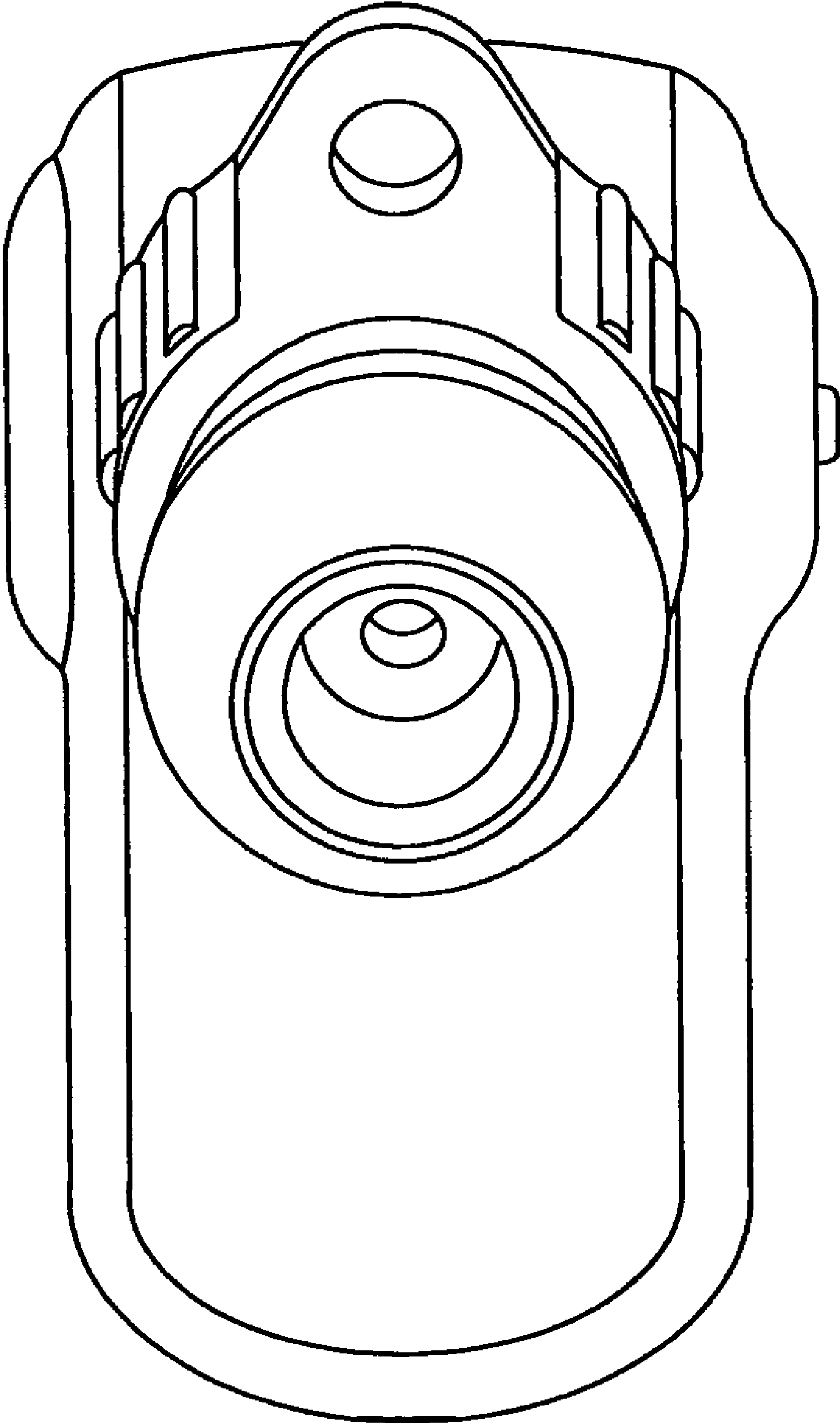
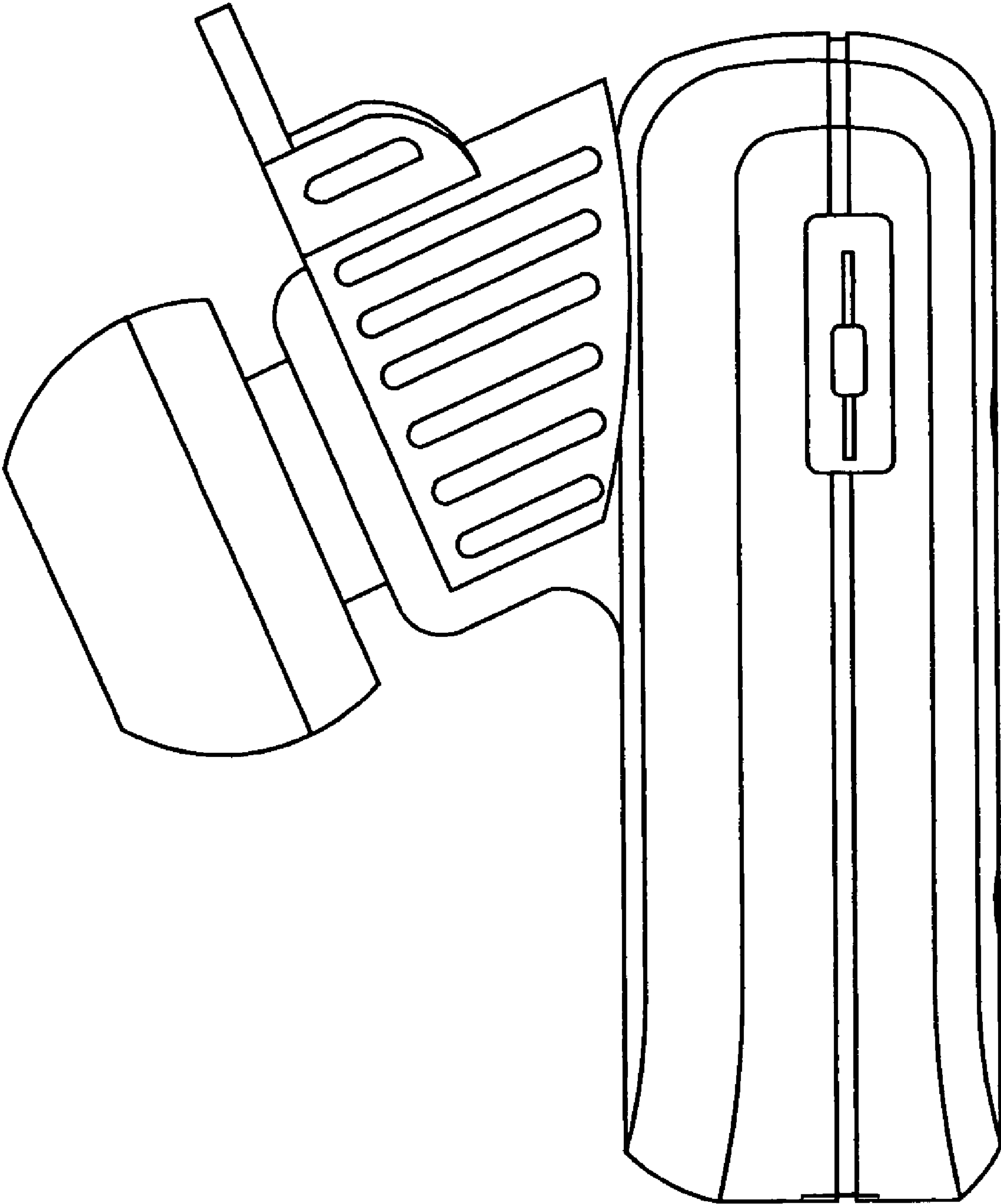


Fig. 3



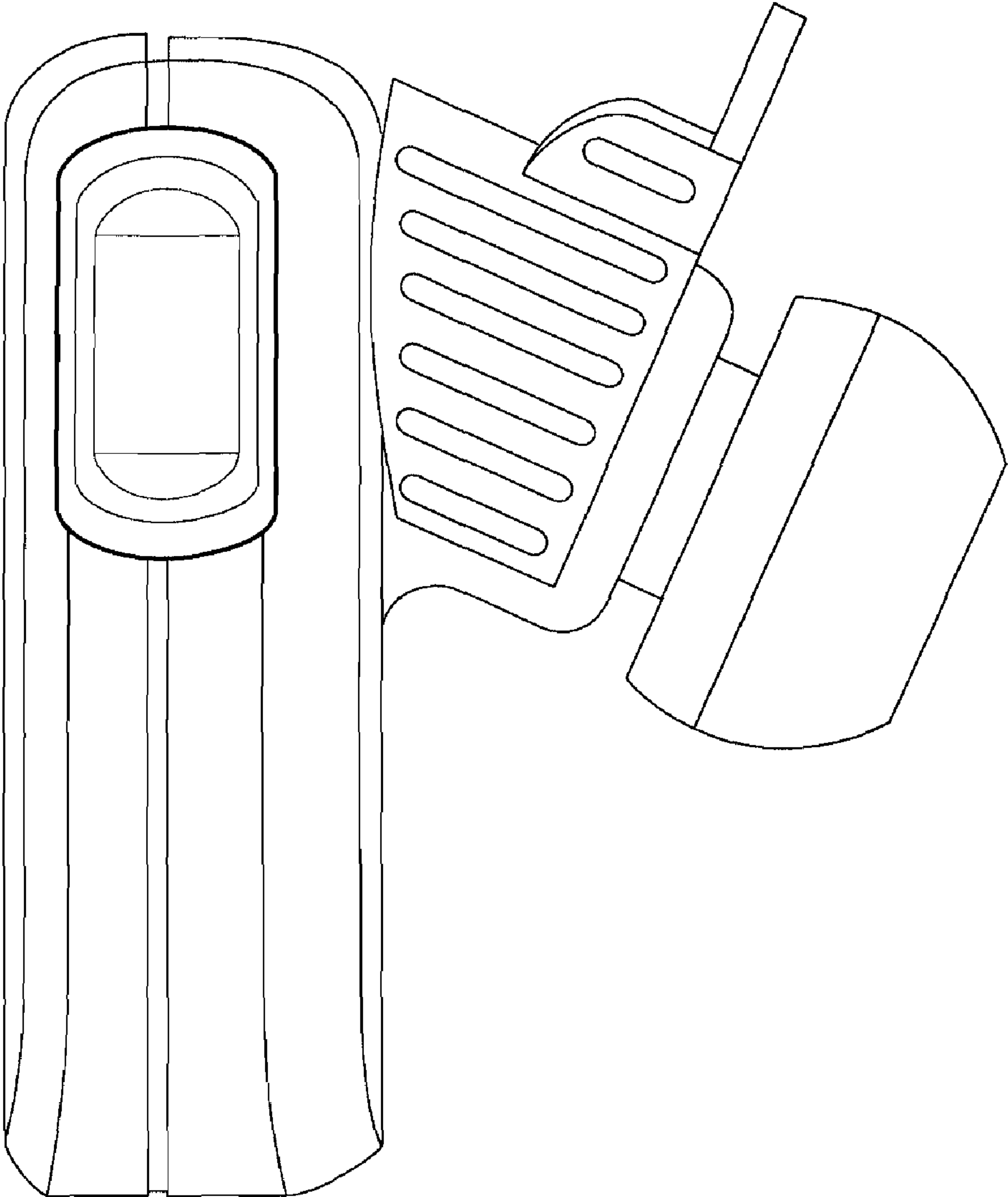


FIG. 4

Fig. 5

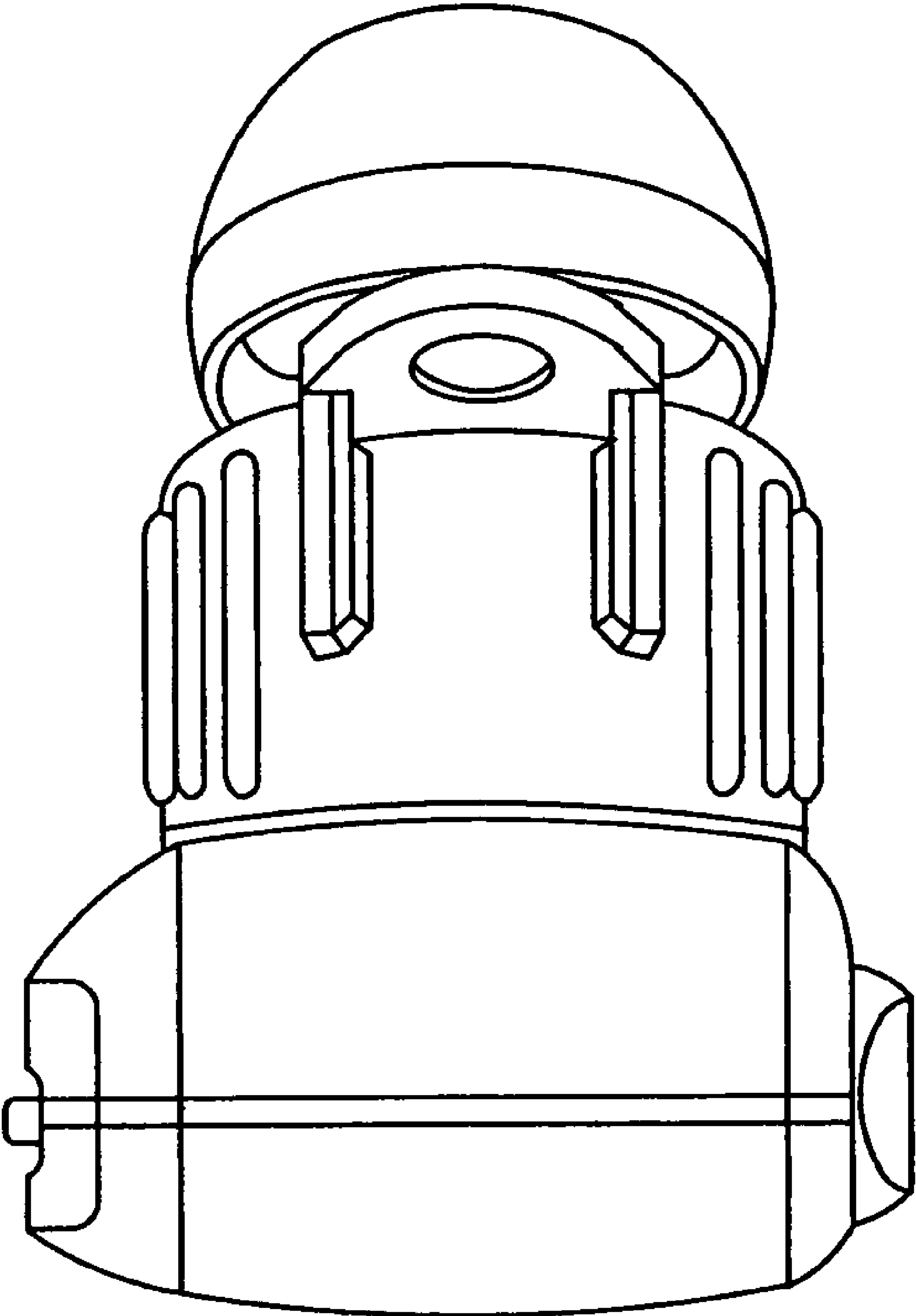
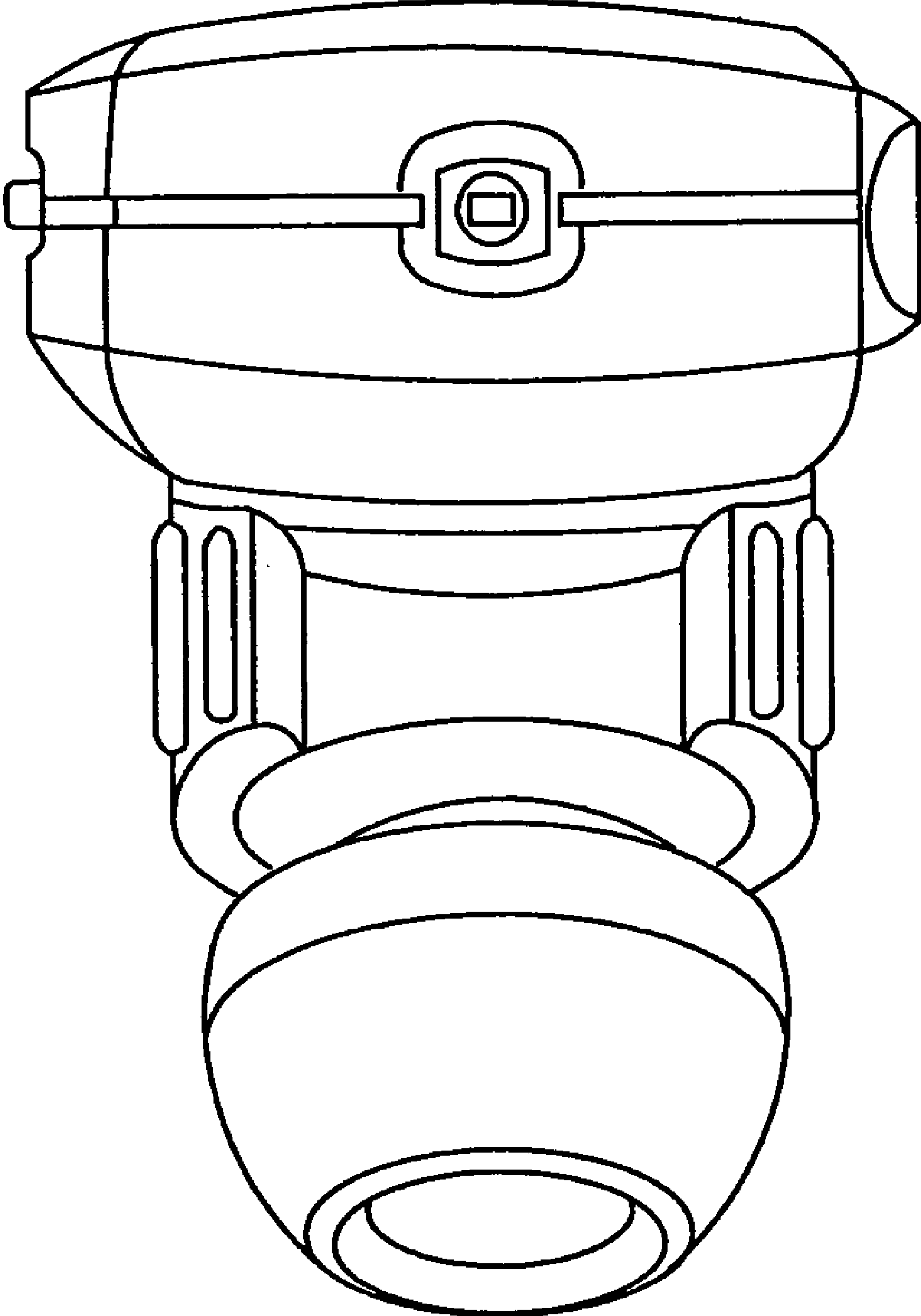


Fig. 6



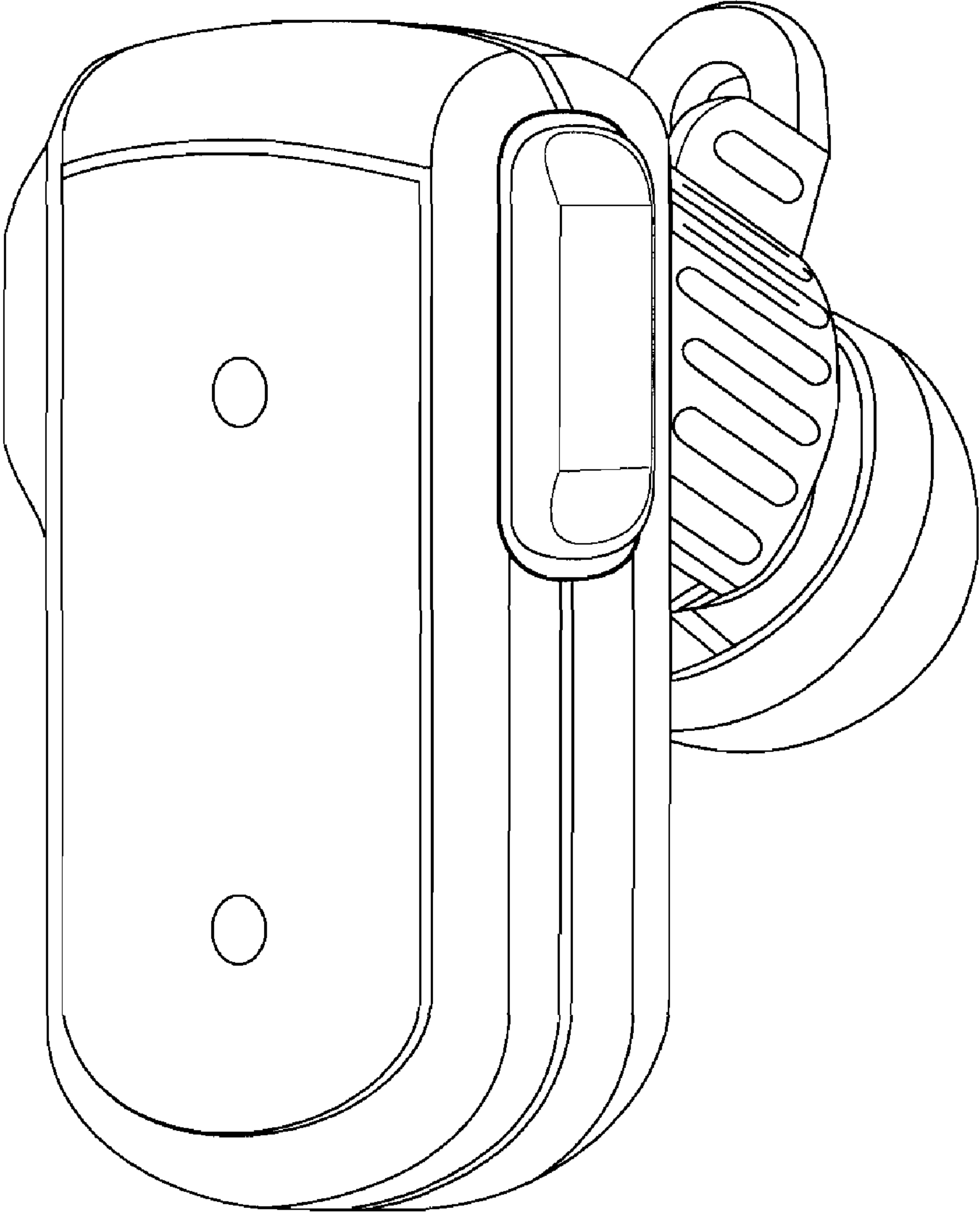


FIG. 7

Fig. 8

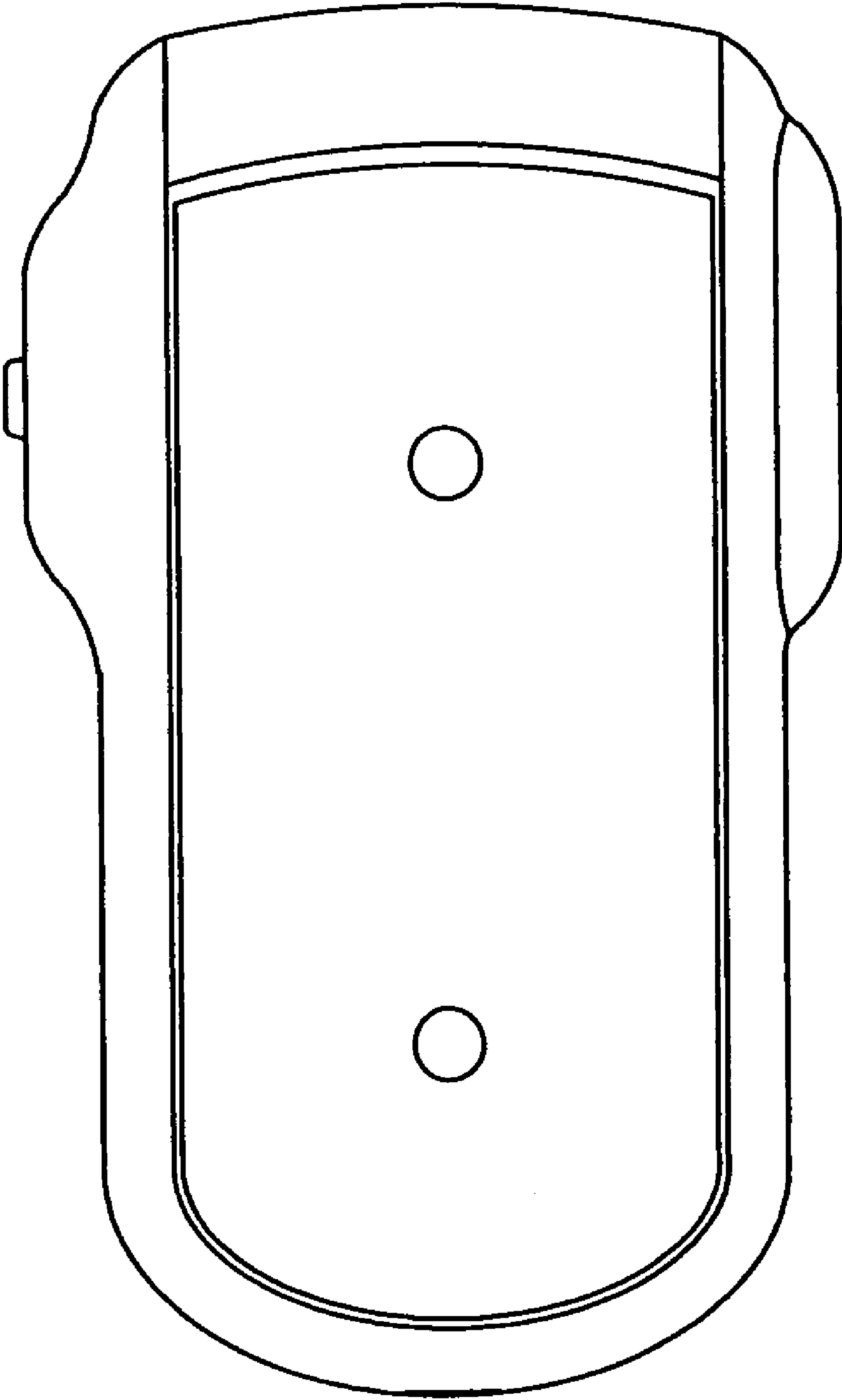


Fig. 9

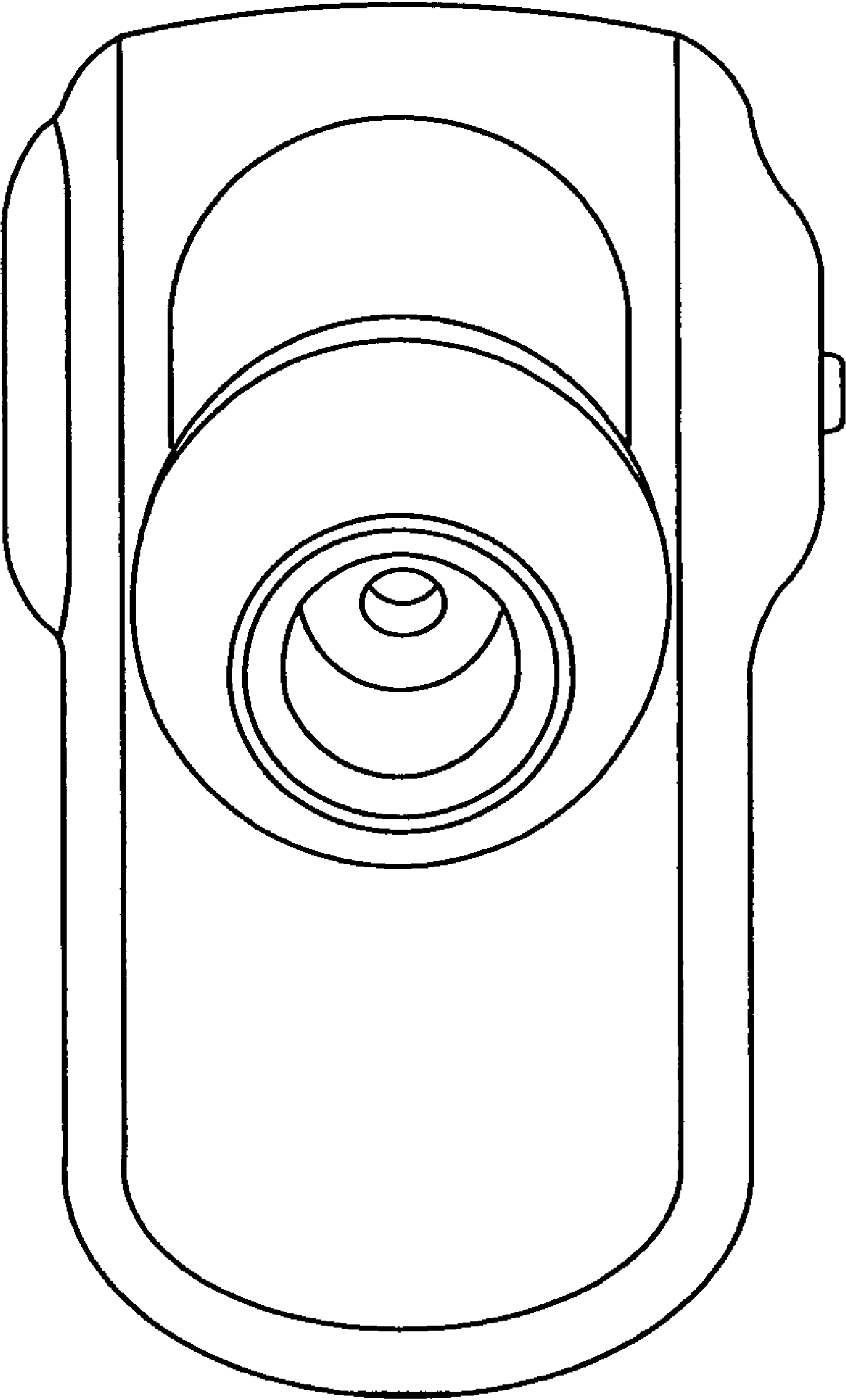
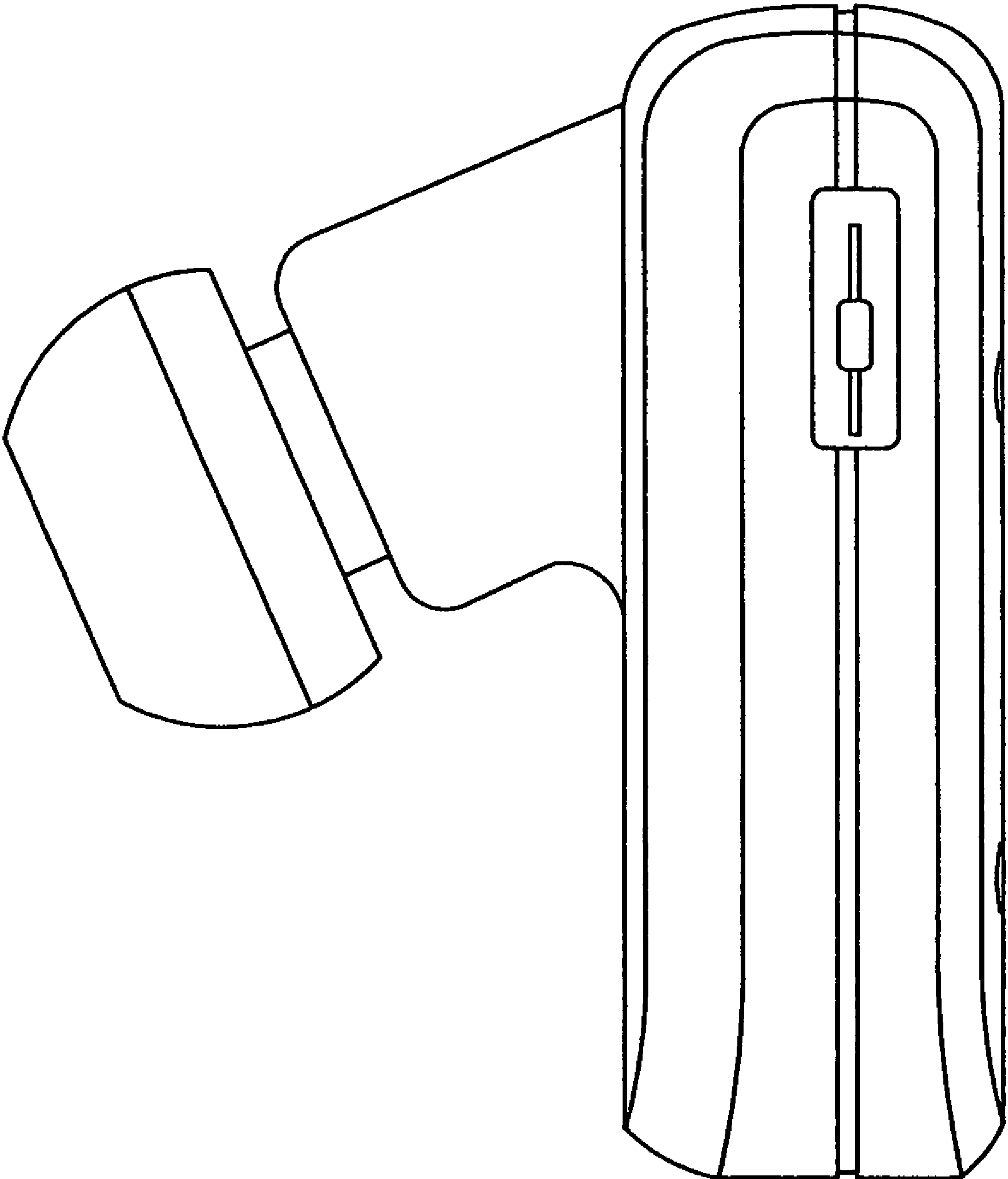


Fig. 10



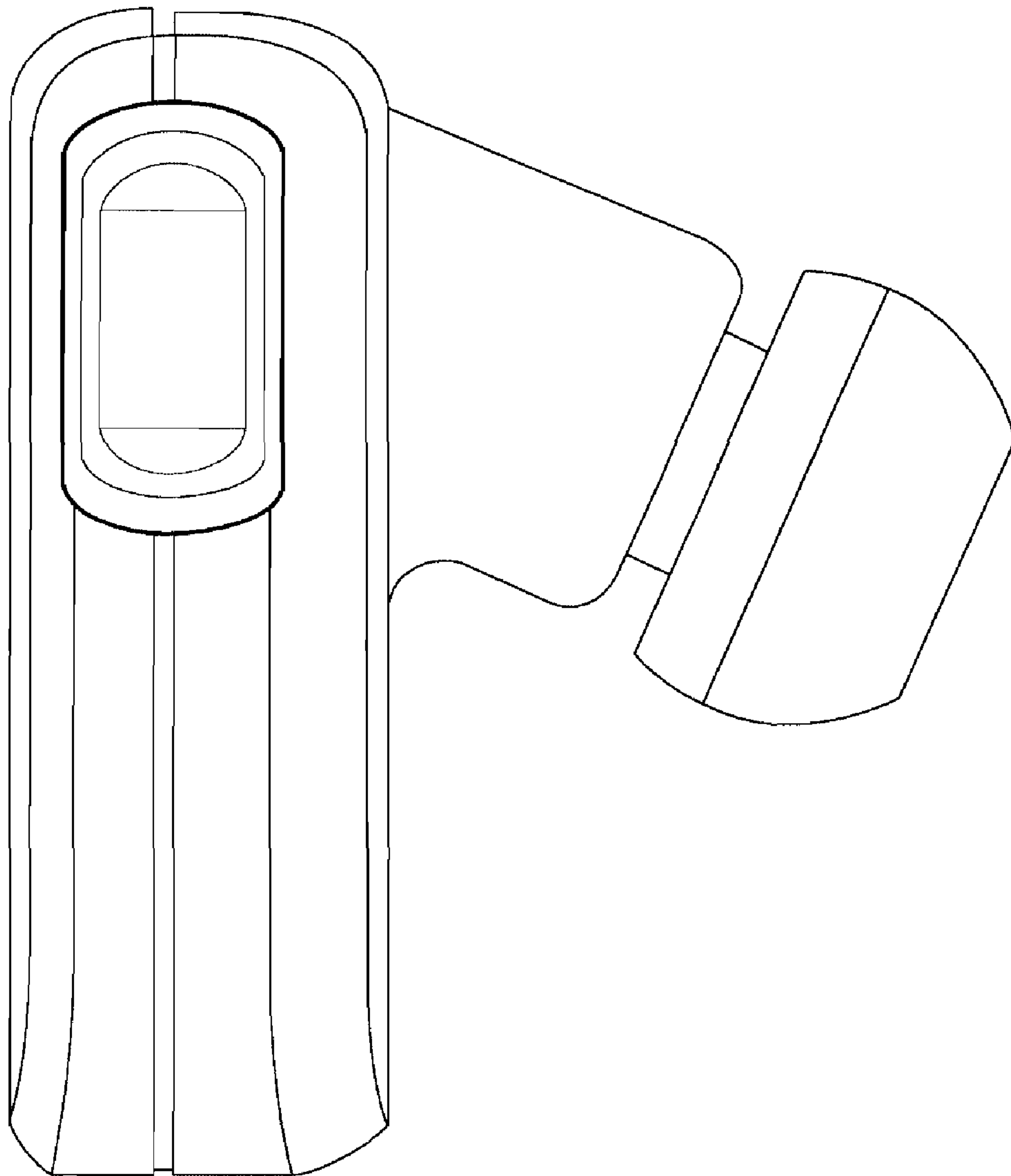


FIG. 11

Fig. 12

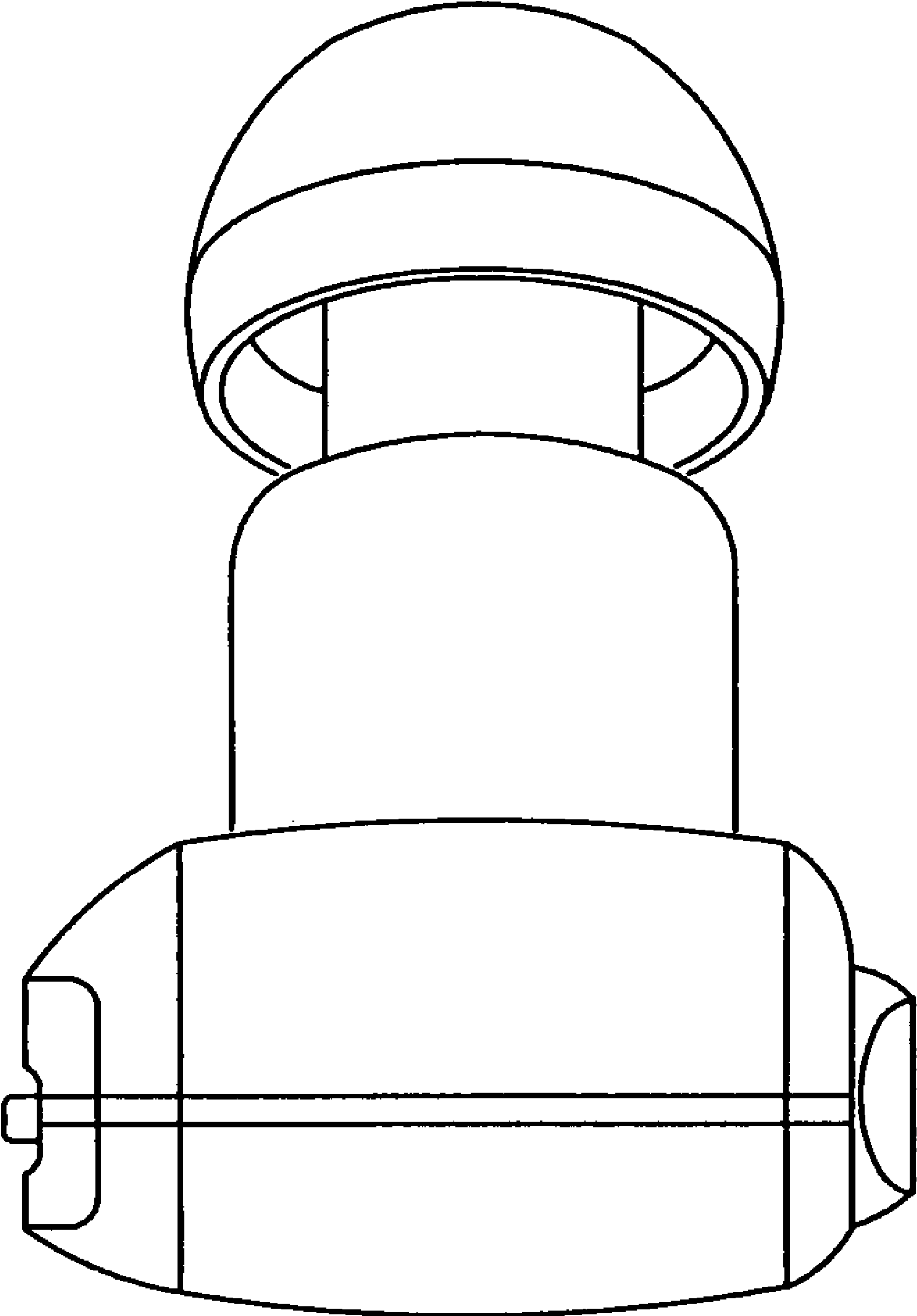
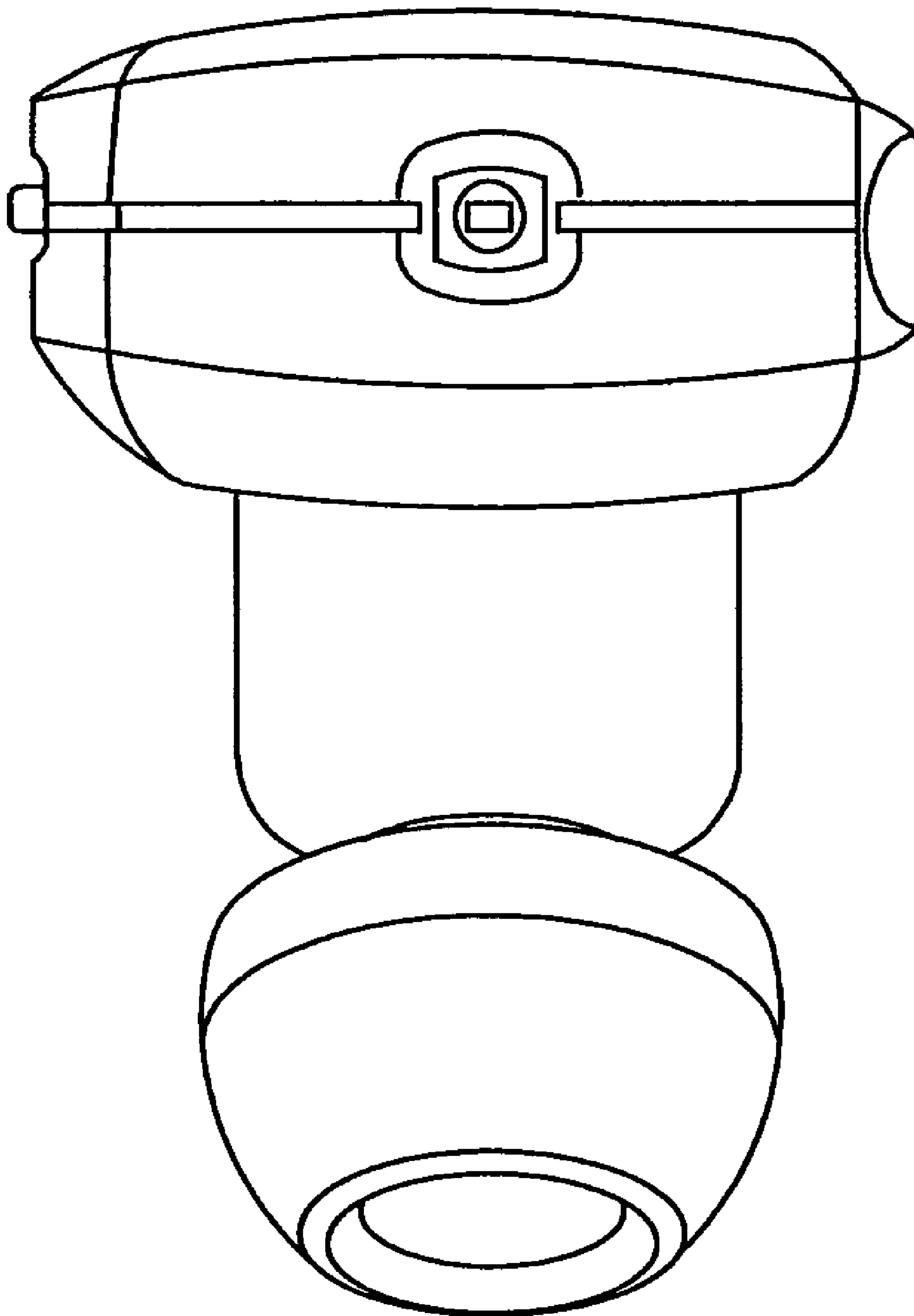


Fig. 13



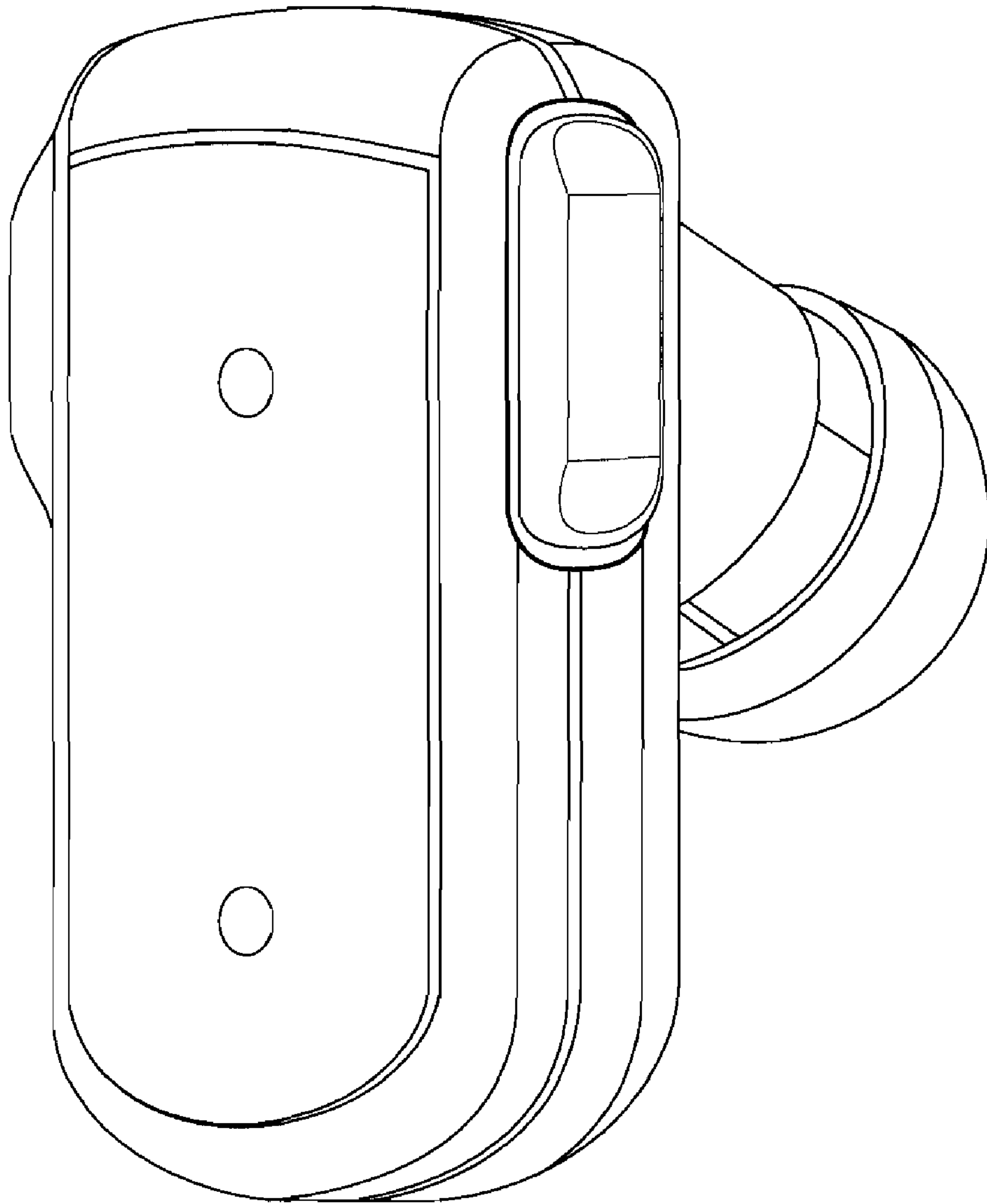


FIG. 14