



US00D578110S

(12) **United States Design Patent**
Andre et al.

(10) **Patent No.:** **US D578,110 S**
(45) **Date of Patent:** **** Oct. 7, 2008**

(54) **DOCKING STATION**

(75) Inventors: **Bartley K. Andre**, Menlo Park, CA (US); **Daniel J. Coster**, San Francisco, CA (US); **Daniele De Iuliis**, San Francisco, CA (US); **Richard P. Howarth**, San Francisco, CA (US); **Jonathan P. Ive**, San Francisco, CA (US); **Duncan Robert Kerr**, San Francisco, CA (US); **Shin Nishibori**, San Francisco, CA (US); **Matthew Dean Rohrbach**, San Francisco, CA (US); **Douglas B. Satzger**, Menlo Park, CA (US); **Calvin Q. Seid**, deceased, late of Palo Alto CA (US); by **Vincent Keane Seid**, legal representative, Los Gatos, CA (US); **Christopher J. Stringer**, Woodside, CA (US); **Eugene Antony Whang**, San Francisco, CA (US); **Rico Zorkendorfer**, San Francisco, CA (US)

(73) Assignee: **Apple Inc.**, Cupertino, CA (US)

(**) Term: **14 Years**

(21) Appl. No.: **29/296,503**

(22) Filed: **Oct. 22, 2007**

Related U.S. Application Data

(63) Continuation of application No. 29/237,084, filed on Aug. 24, 2005, now Pat. No. Des. 558,738.

(51) **LOC (8) Cl.** **14-02**

(52) **U.S. Cl.** **D14/217**

(58) **Field of Classification Search** D14/142, D14/149, 217, 251, 432, 434, 435, 447, 496; D13/107, 108, 118; 248/221.11, 309.1; 320/107, 320/110, 113-115; 361/600, 679, 683, 686; 439/529, 534; 455/556.1, 556.2, 557; D21/524; D23/270, 284, 231.1

See application file for complete search history.

(56) **References Cited**

U.S. PATENT DOCUMENTS

D328,277 S 7/1992 Leman et al.

(Continued)

OTHER PUBLICATIONS

U.S. Appl. No. 29/237,233 entitled "Docking Station" filed Aug. 24, 2005.

(Continued)

Primary Examiner—Stella M. Reid

Assistant Examiner—Keli L Acker

(74) *Attorney, Agent, or Firm*—Sterne, Kessler, Goldstein & Fox P.L.L.C.

(57) **CLAIM**

We claim the ornamental design for a docking station, substantially as shown and described.

DESCRIPTION

This application is related to: U.S. Design patent application No. 29/237,233, and entitled "Docking Station" which is hereby incorporated herein by reference.

Various examples of dock insert embodiments are shown and described in in (i) U.S. Design patent application No. 29/237,097, entitled "Dock Insert"; (ii) U.S. Design patent application No. 29/237,111 entitled "Dock Insert"; and (iii) U.S. Design patent application No. 29/237,112 entitled "Dock Insert", each of which is hereby incorporated herein by reference.

FIG. 1 is a front perspective view of a docking station embodying our new design.

FIG. 2 is a rear perspective view of the docking station.

FIG. 3 is a top view for the docking station.

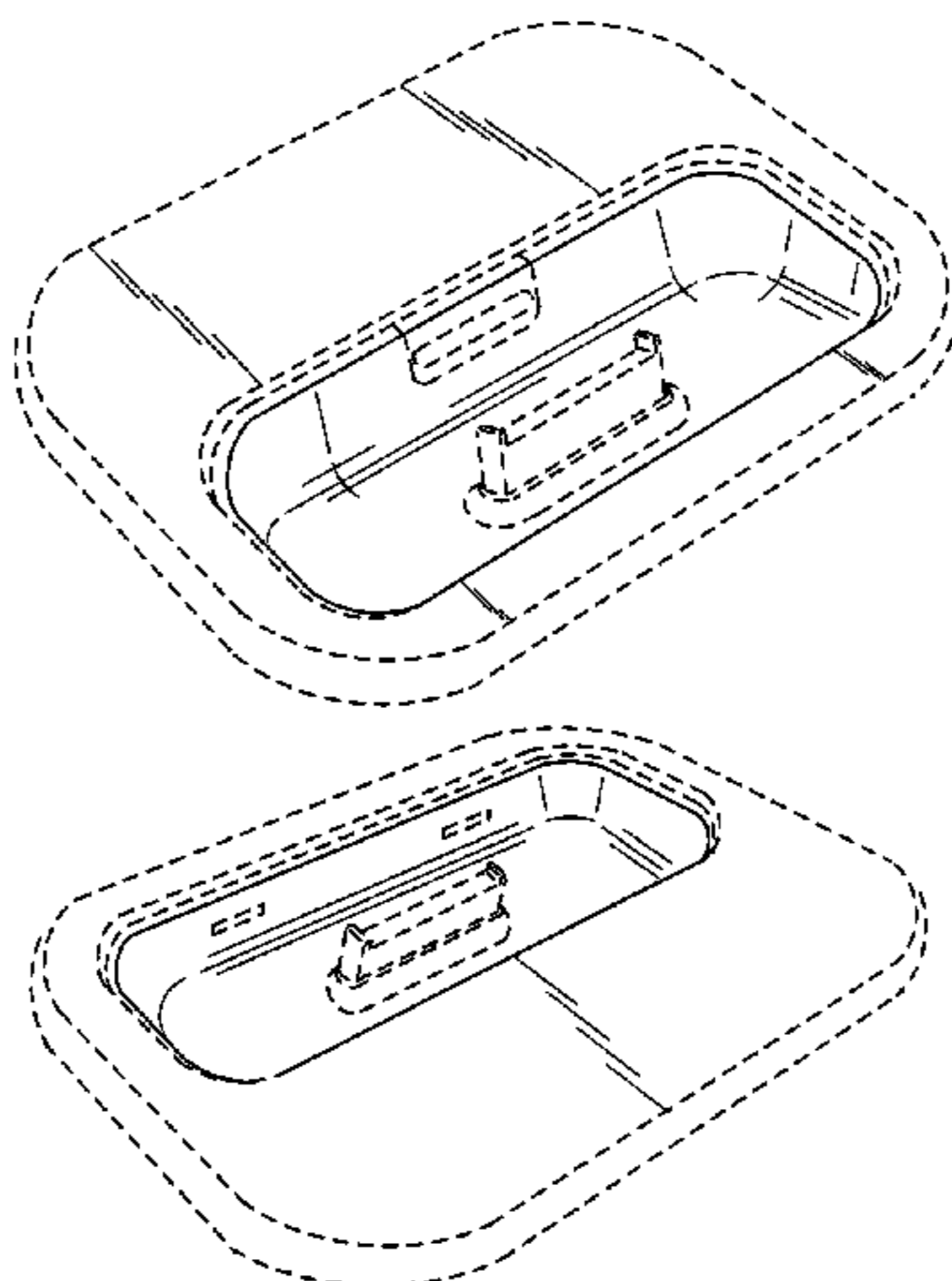
FIG. 4 is an exemplary perspective view of how a docking system can incorporate the docking station with a dock insert.

FIGS. 5-8 are exemplary top views of a docking system that incorporates different dock inserts into the docking station; and,

FIG. 9 is an exemplary perspective view of the docking station integrated into an electronic device such as a portable music player (e.g., boom box).

The broken lines immediately adjacent the shaded areas represent the bounds of the claimed design while all other broken lines are directed to environment and are for illustrative purposes only; the broken lines form no part of the claimed design.

1 Claim, 6 Drawing Sheets



U.S. PATENT DOCUMENTS

D336,631 S 6/1993 Ivester
 D350,330 S 9/1994 Peterson
 D374,858 S 10/1996 Chu
 5,600,225 A 2/1997 Goto
 5,627,727 A 5/1997 Aguilera et al.
 D385,530 S 10/1997 Hames et al.
 D388,764 S 1/1998 Bartling et al.
 D397,996 S 9/1998 Smith
 D409,987 S 5/1999 Okumura
 D411,166 S 6/1999 Uemura et al.
 5,952,814 A 9/1999 Van
 D416,536 S 11/1999 Ross et al.
 D419,160 S 1/2000 Davidson et al.
 6,042,414 A 3/2000 Kunert
 D422,556 S 4/2000 Okura et al.
 D439,908 S 4/2001 Gozani
 D440,542 S 4/2001 Hawkins et al.
 D442,939 S 5/2001 Goldenburg
 D444,121 S 6/2001 Chun et al.
 D444,124 S 6/2001 Casey et al.
 6,307,348 B1 10/2001 Green
 D450,707 S 11/2001 Francavilla et al.
 D454,332 S 3/2002 Yokoyama
 D459,299 S 6/2002 Hughes et al.
 D461,476 S 8/2002 Evers et al.
 D463,361 S 9/2002 Ruohonen
 D466,122 S 11/2002 Moody
 D468,305 S 1/2003 Ma et al.
 6,524,240 B1 2/2003 Thede
 D472,900 S 4/2003 Matsumoto
 D477,823 S 7/2003 Lavello
 6,711,005 B2 3/2004 Martin
 D495,336 S 8/2004 Andre et al.
 6,798,647 B2 9/2004 Dickie
 6,813,528 B1 11/2004 Yang
 6,898,080 B2 5/2005 Yin et al.
 D510,091 S 9/2005 Mori et al.
 D525,616 S 7/2006 Andre et al.
 7,075,579 B2 7/2006 Whitby et al.

D526,321 S 8/2006 Hayes et al.
 D530,717 S 10/2006 Mori et al.
 D532,005 S 11/2006 Leith
 7,145,603 B2 12/2006 Whitby et al.
 D535,614 S 1/2007 Majanen et al.
 D537,925 S * 3/2007 Mahon D23/293.1
 D551,212 S 9/2007 Andre et al.
 D551,213 S 9/2007 Andre et al.
 D551,214 S * 9/2007 Hussaini et al. D14/217
 D551,658 S * 9/2007 Hussaini et al. D14/217
 D552,085 S 10/2007 Andre et al.
 D553,106 S * 10/2007 Griffin D14/434
 D558,207 S * 12/2007 Ikeda et al. D14/434
 D558,208 S * 12/2007 Ikeda et al. D14/434
 D558,209 S * 12/2007 Ikeda et al. D14/434
 2002/0103008 A1 8/2002 Rahn et al.
 2003/0198015 A1 10/2003 Vogt
 2006/0250764 A1 11/2006 Howarth et al.
 2007/0047198 A1 3/2007 Crooijmans et al.

OTHER PUBLICATIONS

“iPod Dock Cradle”, downloaded Apr. 11, 2003, www.bookendzdocks.com/bookendz/dock_cradel.htm.
 “BookEndz Home Page”, downloaded Apr. 11, 2003, www.bookendzdocks.com/bookendz/index.htm.
 “Atech Flash Technology Iduo Ipod Dock and card Reader”, www.the-gadgeteer.com, downloaded Nov. 21, 2005.
 “Adaptec xHub for Notebooks”, http://www.everythingusb.com/hardware/index/Adaptec_xHub_for_Notebooks.htm, downloaded Nov. 22, 2005.
 “Belkin’s Top Loading USB Hub for iPod shuffle”, http://www.everythingusb.com/belkin_hispeed_usb_2.0_4-port_hub.html, downloaded Nov. 22, 2005.
 “Belkin Hi-Speed USB 2.07_Port Hub”, http://www.everythingusb.com/hardware/index/Belkin_Hi-Speed_USB_2.0_7-Port_Hub..., downloaded Nov. 22, 2005.
 U.S. Appl. No. 29/319,055 entitled “Dock Insert” Filed Jun. 3, 2008.
 U.S. Appl. No. 29/319,155 entitled “Dock Insert” filed Jun. 4, 2008.

* cited by examiner

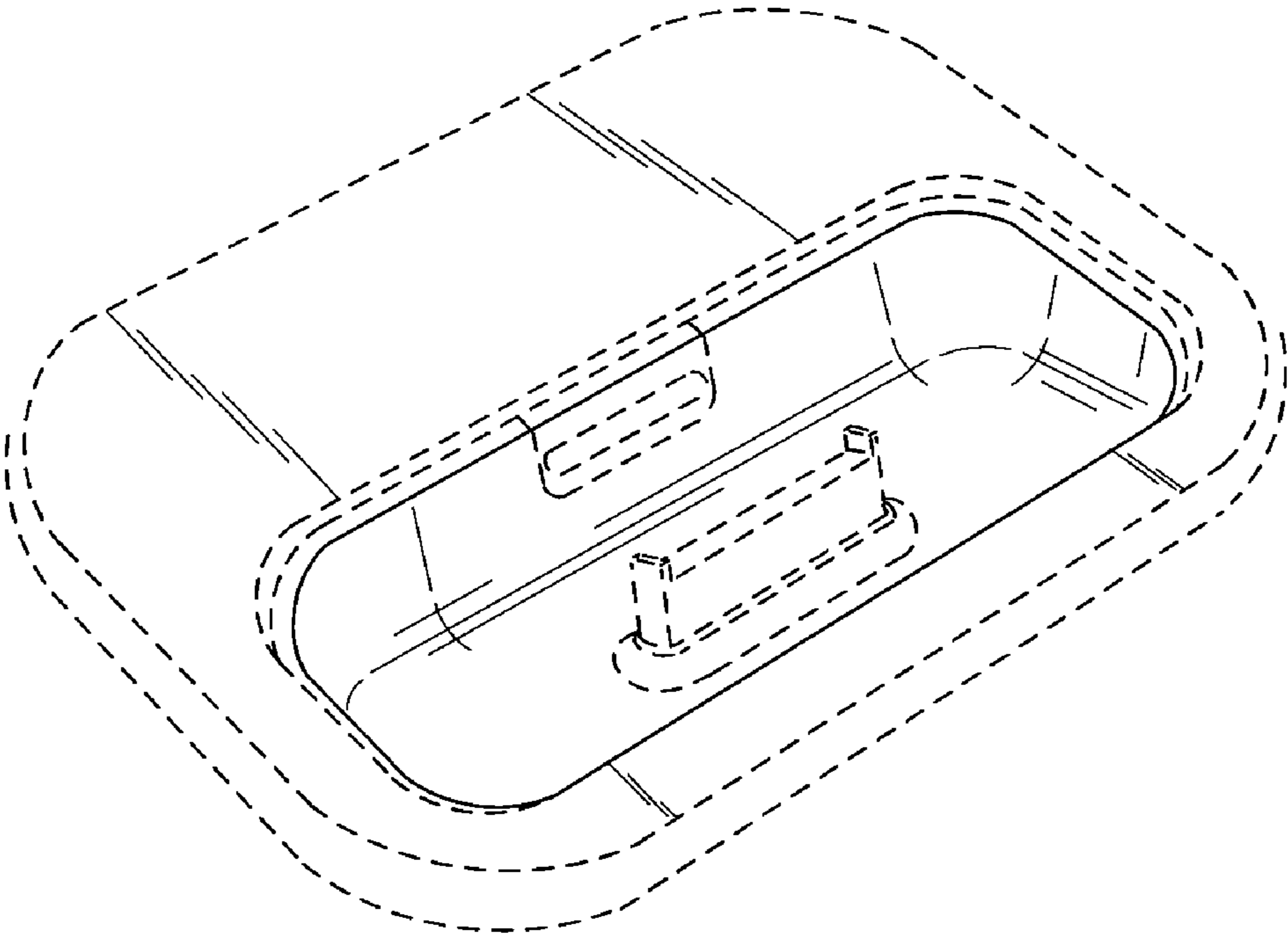


FIG. 1

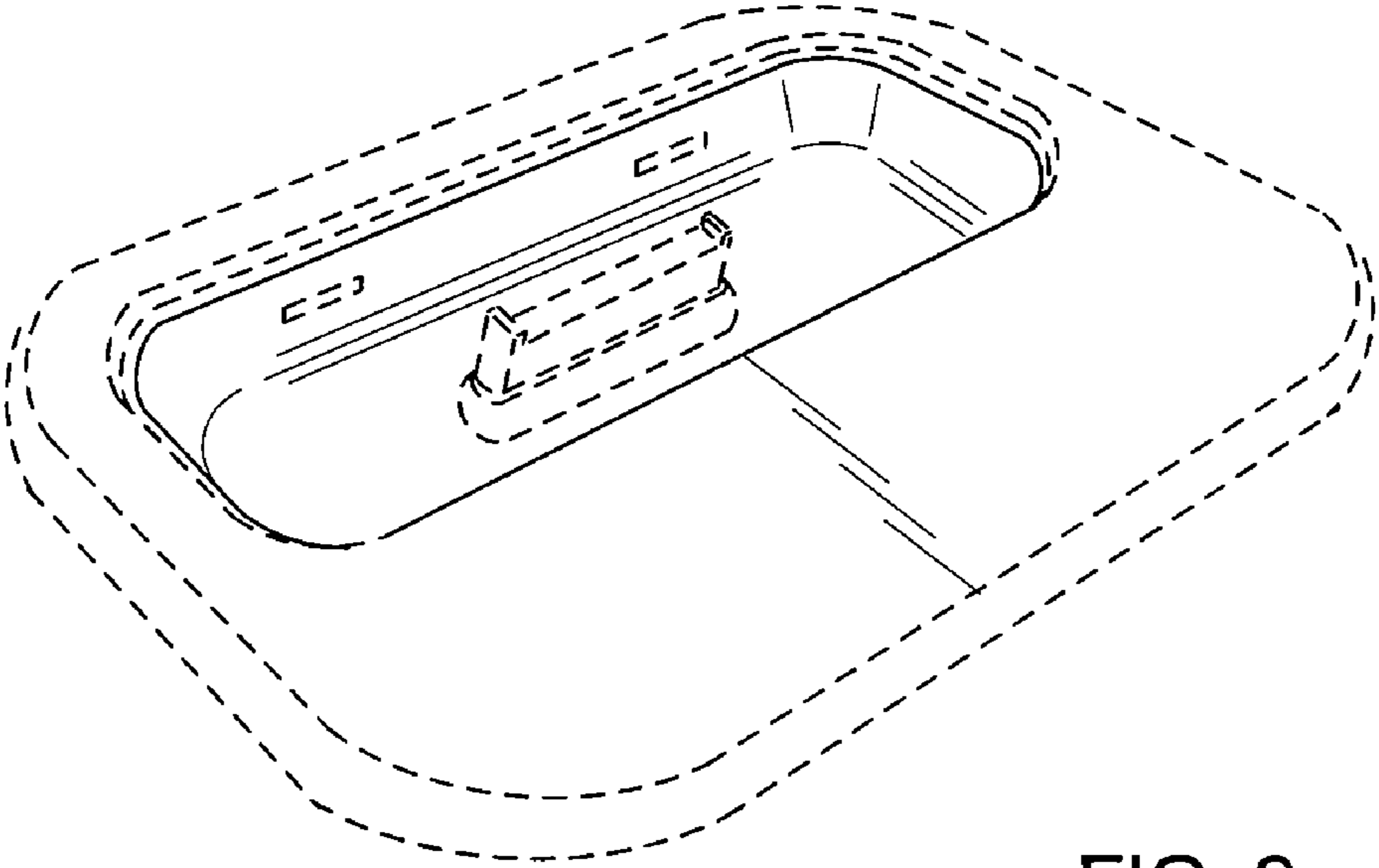


FIG. 2

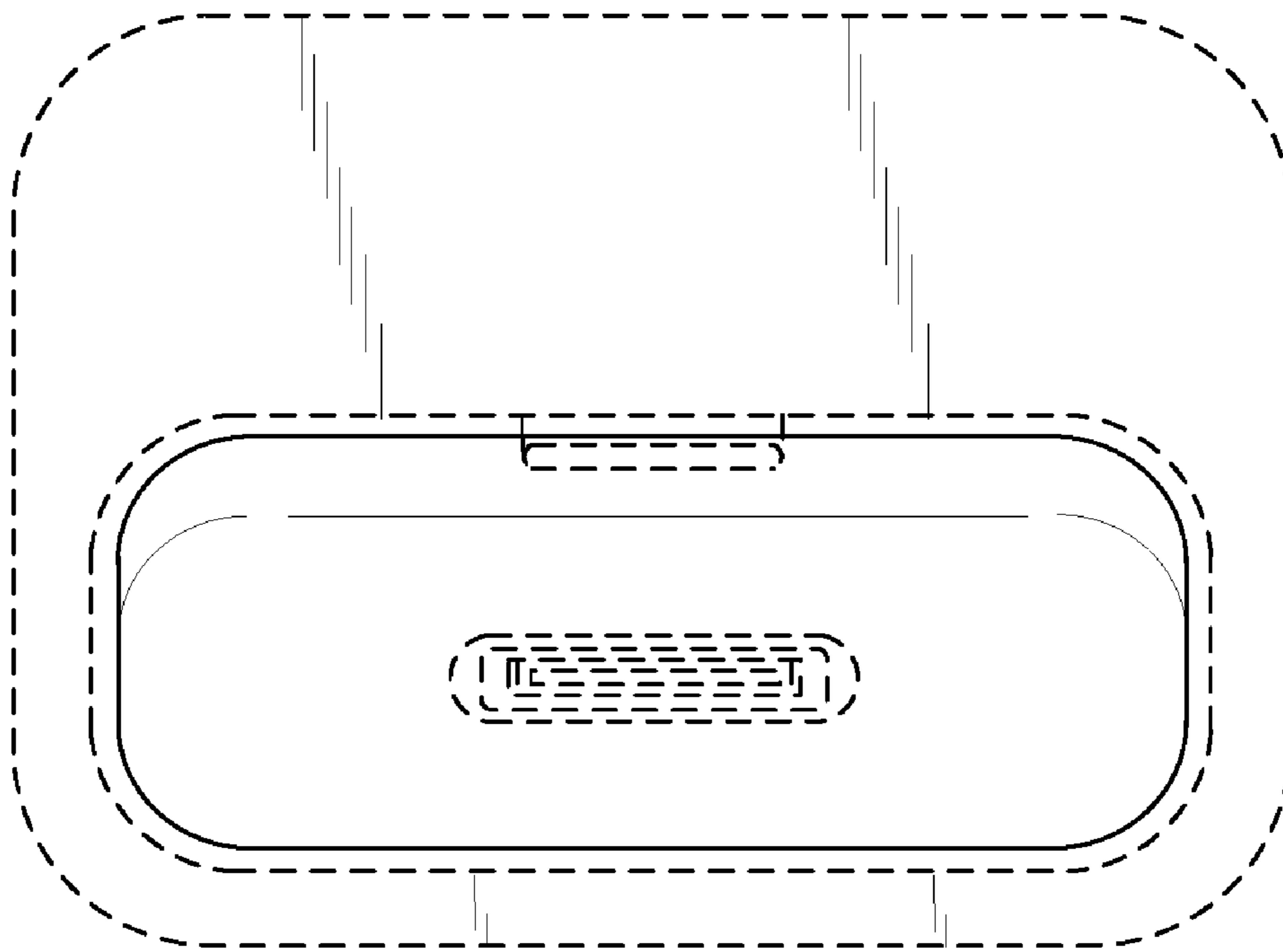


FIG. 3

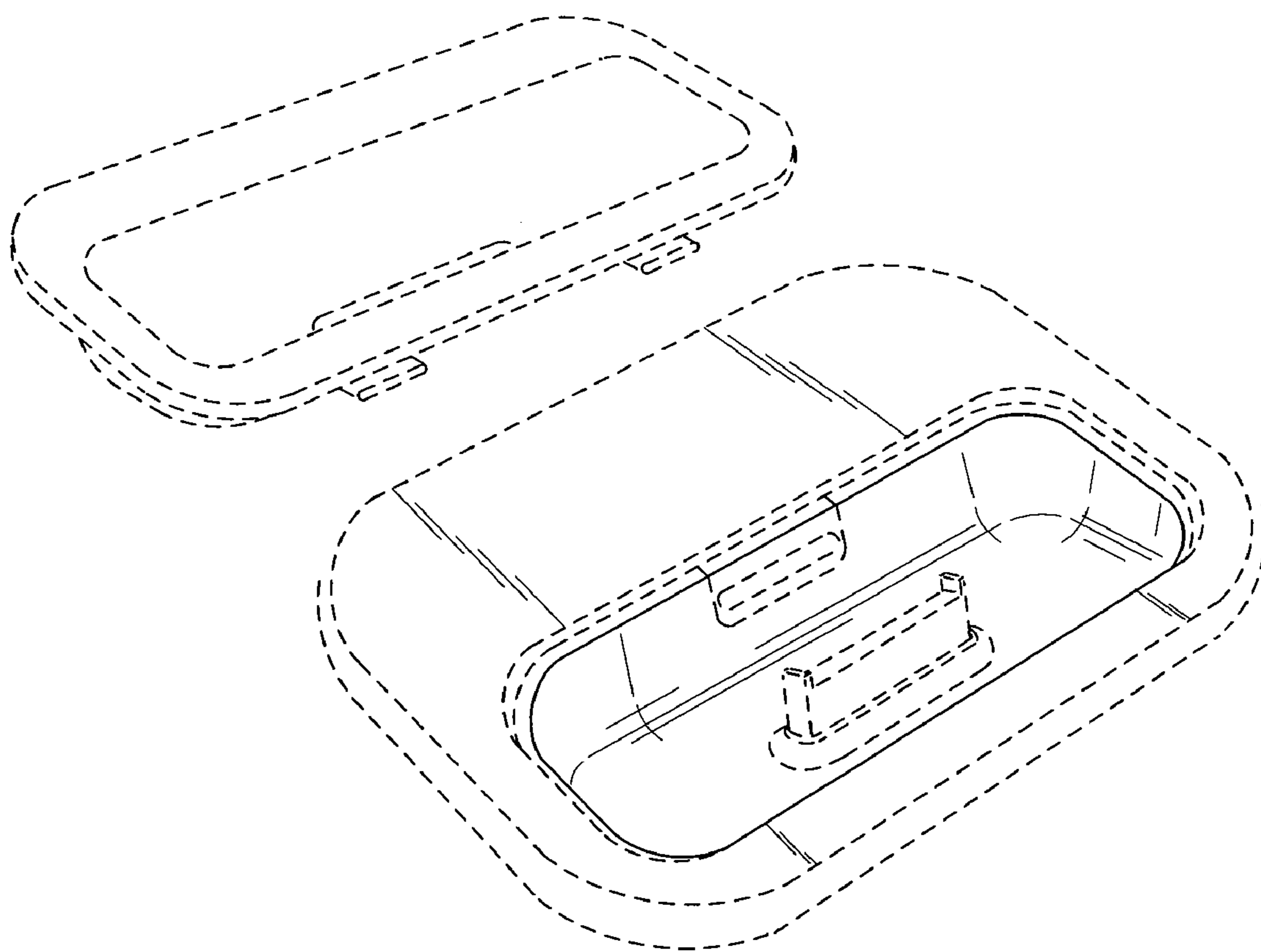


FIG. 4

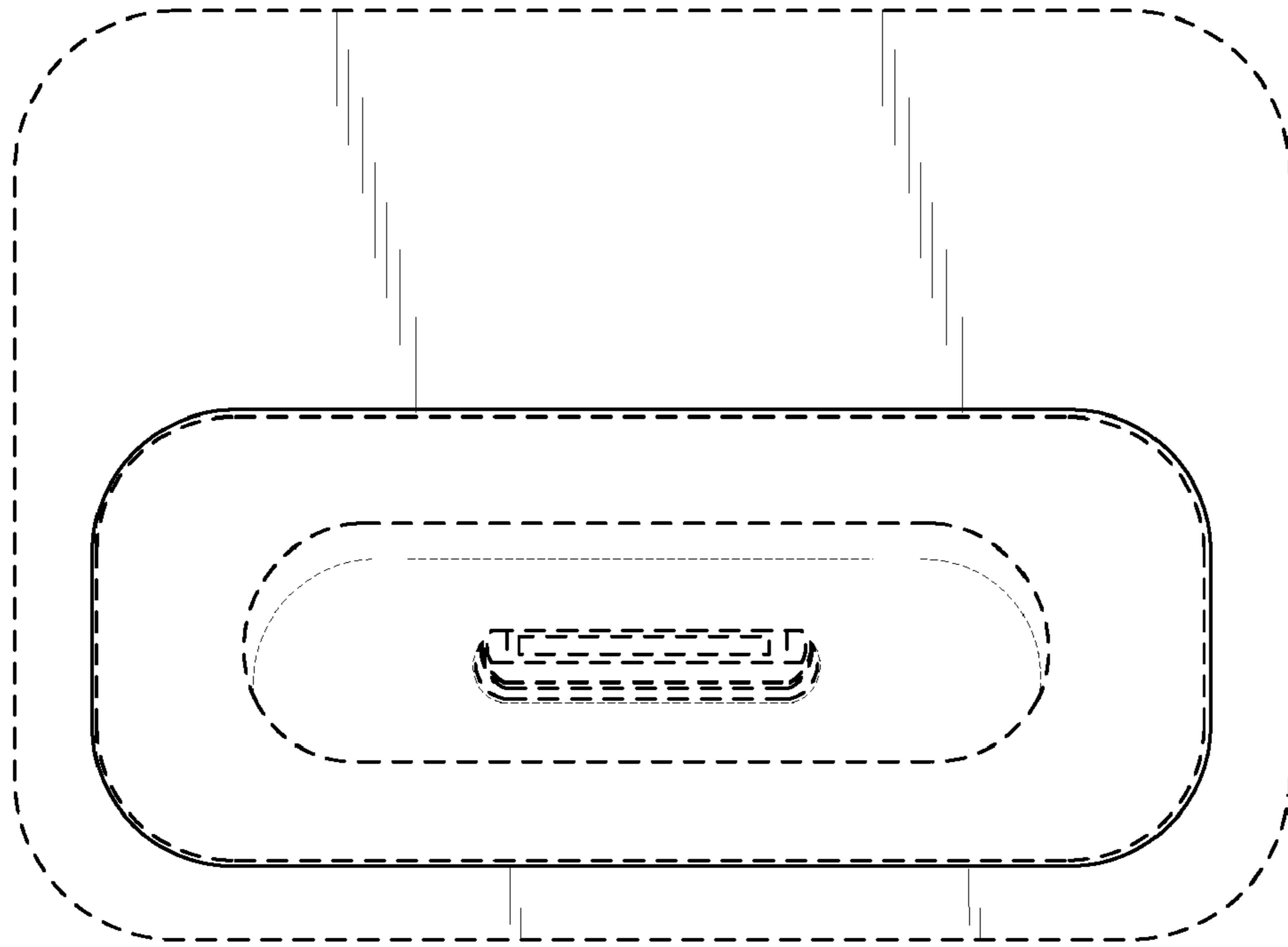


FIG. 5

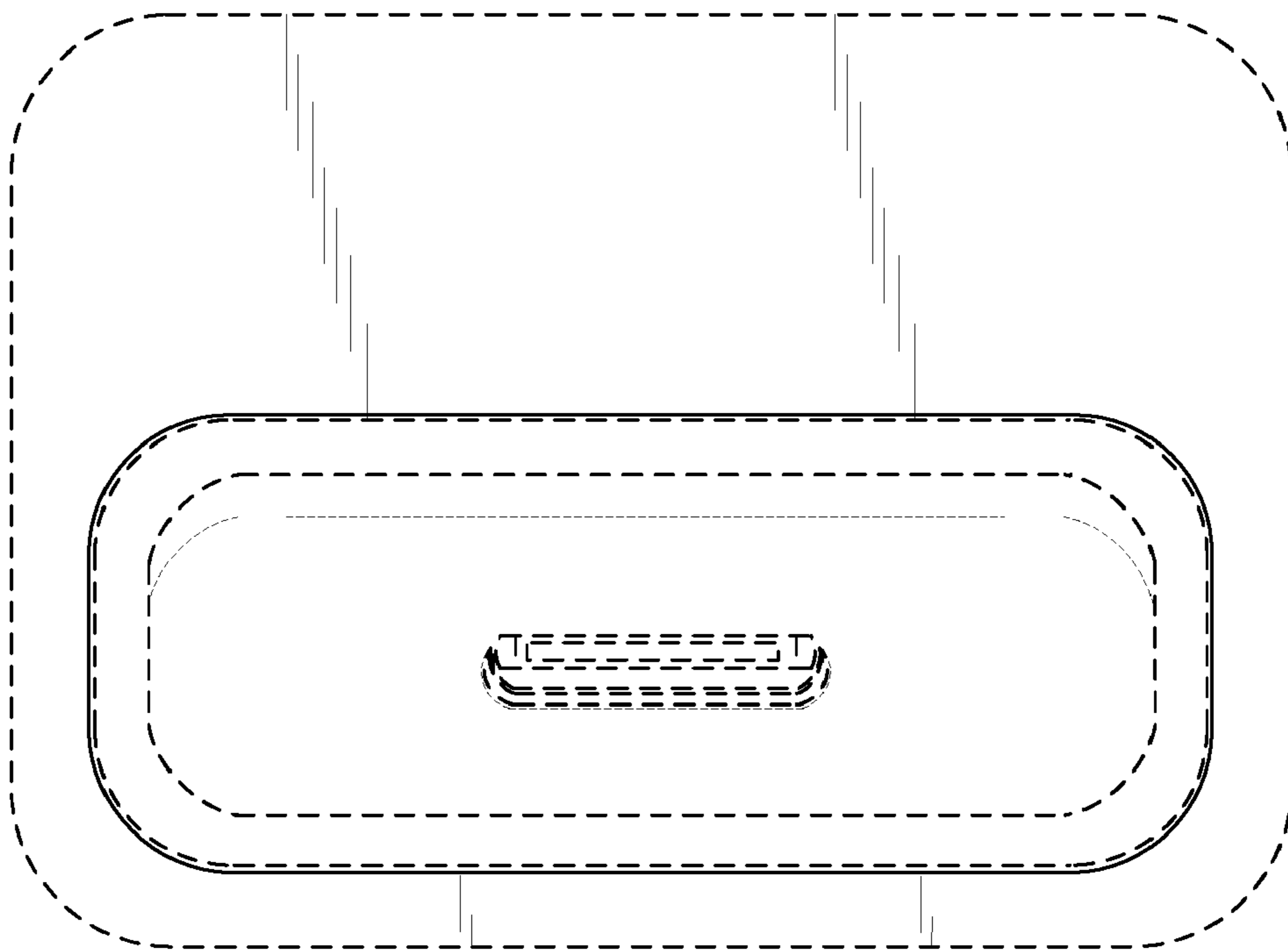


FIG. 6

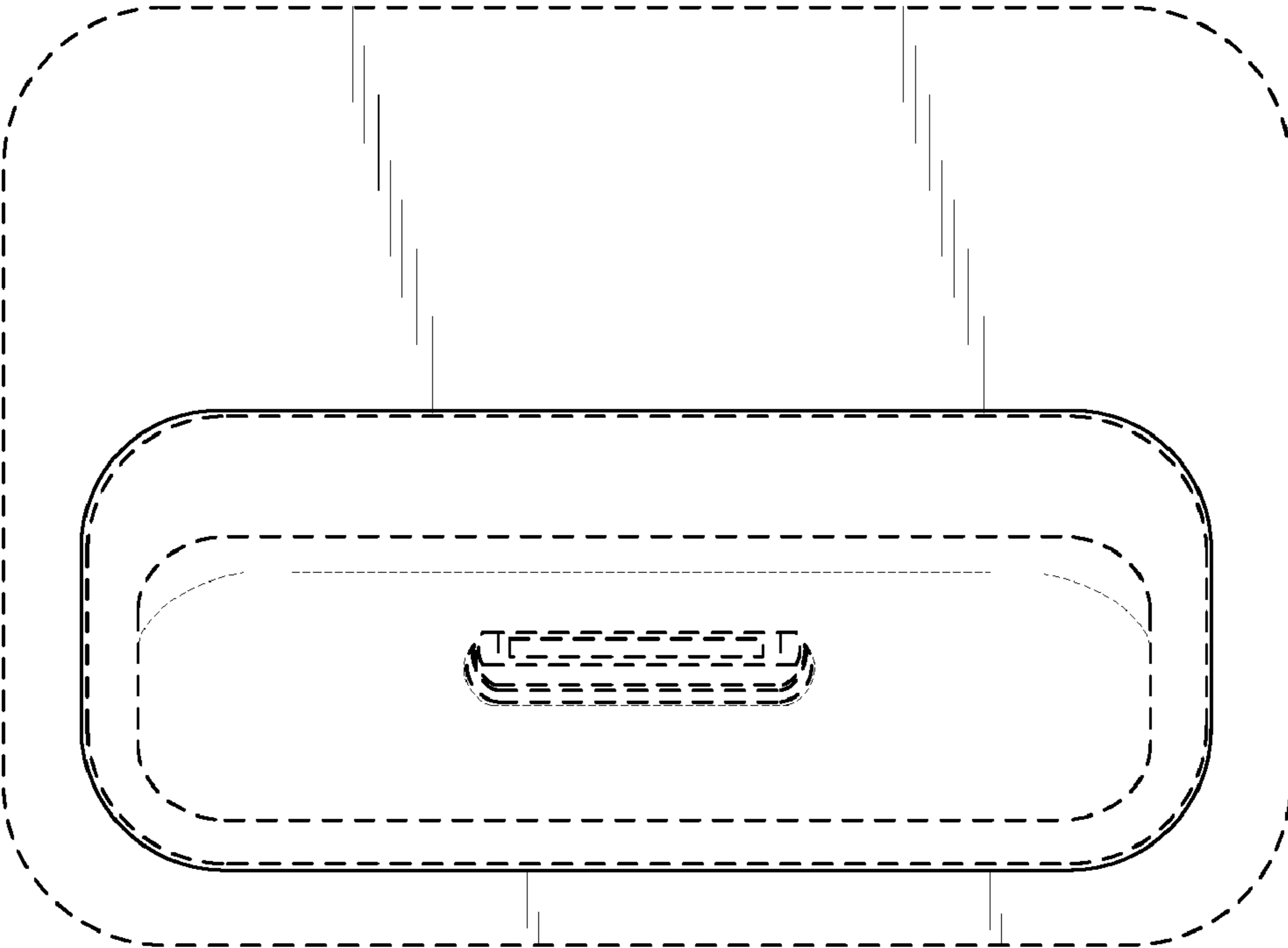


FIG. 7

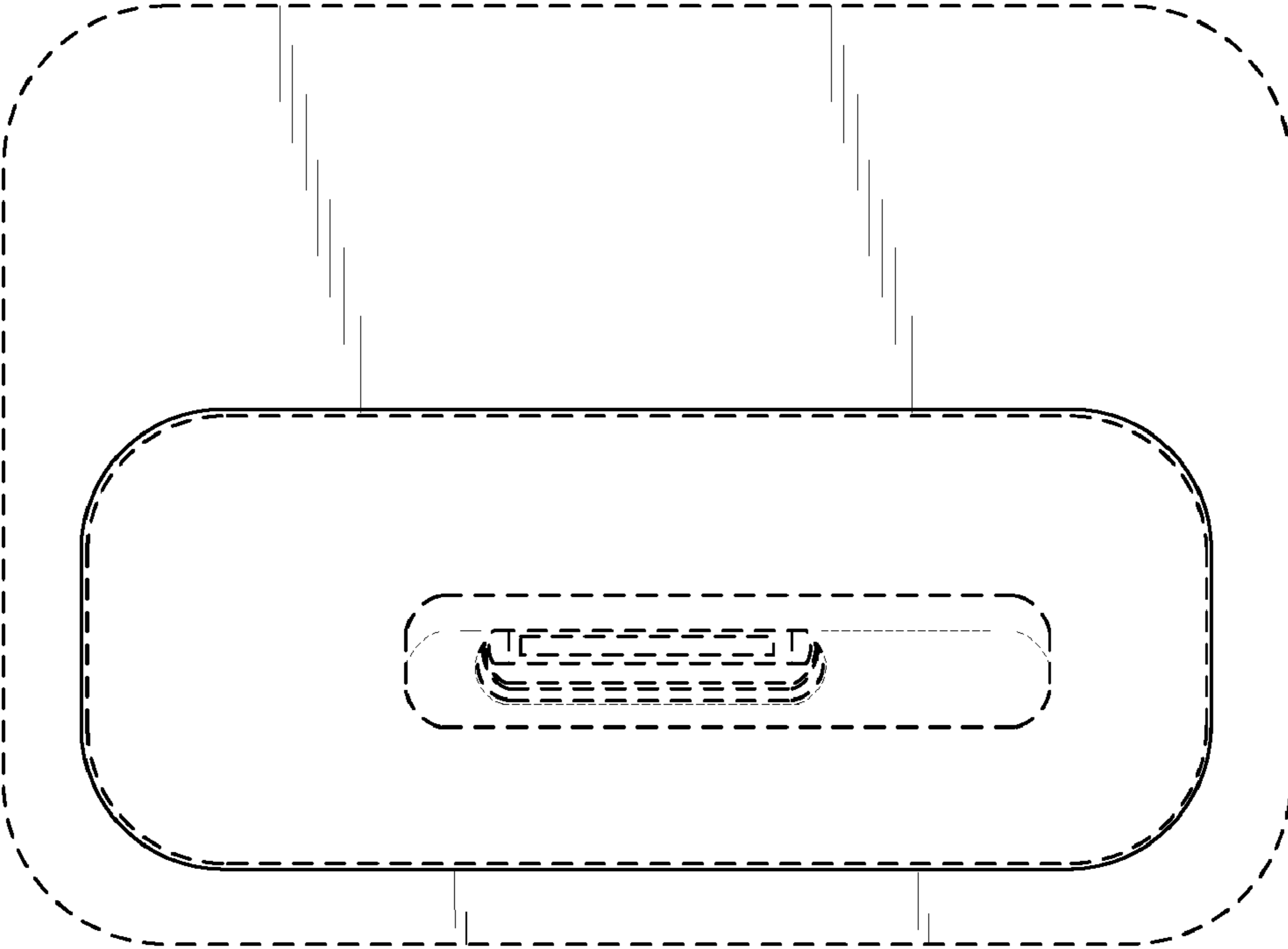


FIG. 8

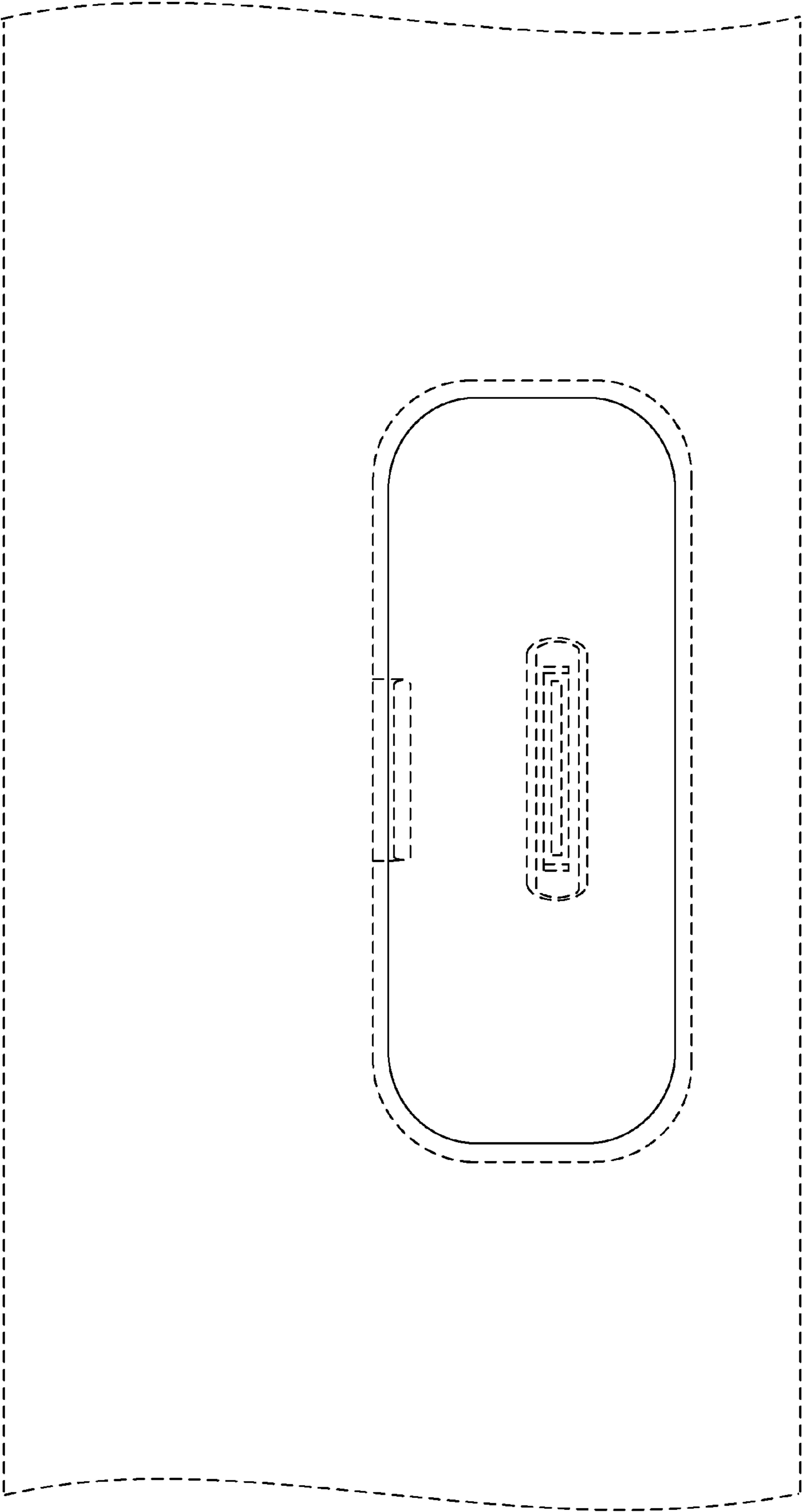


FIG. 9