



US00D578109S

(12) **United States Design Patent**  
**Han**

(10) **Patent No.:** **US D578,109 S**  
(45) **Date of Patent:** **\*\* Oct. 7, 2008**

(54) **HOME THEATER SPEAKER**  
(75) Inventor: **Sung Hee Han**, Yongin-si (KR)  
(73) Assignee: **LG Electronics Inc.**, Seoul (KR)  
(\*\*) Term: **14 Years**  
(21) Appl. No.: **29/290,260**  
(22) Filed: **Nov. 13, 2007**

(30) **Foreign Application Priority Data**  
Jun. 20, 2007 (KR) ..... 30-2007-0026553

(51) **LOC (8) Cl.** ..... **14-01**  
(52) **U.S. Cl.** ..... **D14/215**  
(58) **Field of Classification Search** ..... D14/204,  
D14/209-216; 181/143-144, 147-148, 150,  
181/157, 198-199, 151, 153; 381/300-302,  
381/306, 333, 345, 361-364, 386-388, 332,  
381/336; 348/14.01  
See application file for complete search history.

(56) **References Cited**  
U.S. PATENT DOCUMENTS  
5,000,286 A \* 3/1991 Crawford et al. .... 181/145

D462,338 S \* 9/2002 Wong ..... D14/215  
D463,392 S \* 9/2002 Khadivar ..... D14/214  
D486,475 S \* 2/2004 Allen ..... D14/215  
D531,989 S \* 11/2006 Dayan ..... D14/215

\* cited by examiner

*Primary Examiner*—Nanda Bondade  
(74) *Attorney, Agent, or Firm*—Morgan, Lewis & Bockius  
LLP

(57) **CLAIM**

I claim the ornamental design for home theater speaker, as shown and described.

**DESCRIPTION**

FIG. 1 is a perspective view of home theater speaker showing the new design:  
FIG. 2 is a front elevation view thereof;  
FIG. 3 is a rear elevation view thereof;  
FIG. 4 is a left-side elevation view thereof;  
FIG. 5 is a right-side elevation view thereof;  
FIG. 6 is a top plan view thereof; and,  
FIG. 7 is a bottom plan view thereof.

**1 Claim, 4 Drawing Sheets**

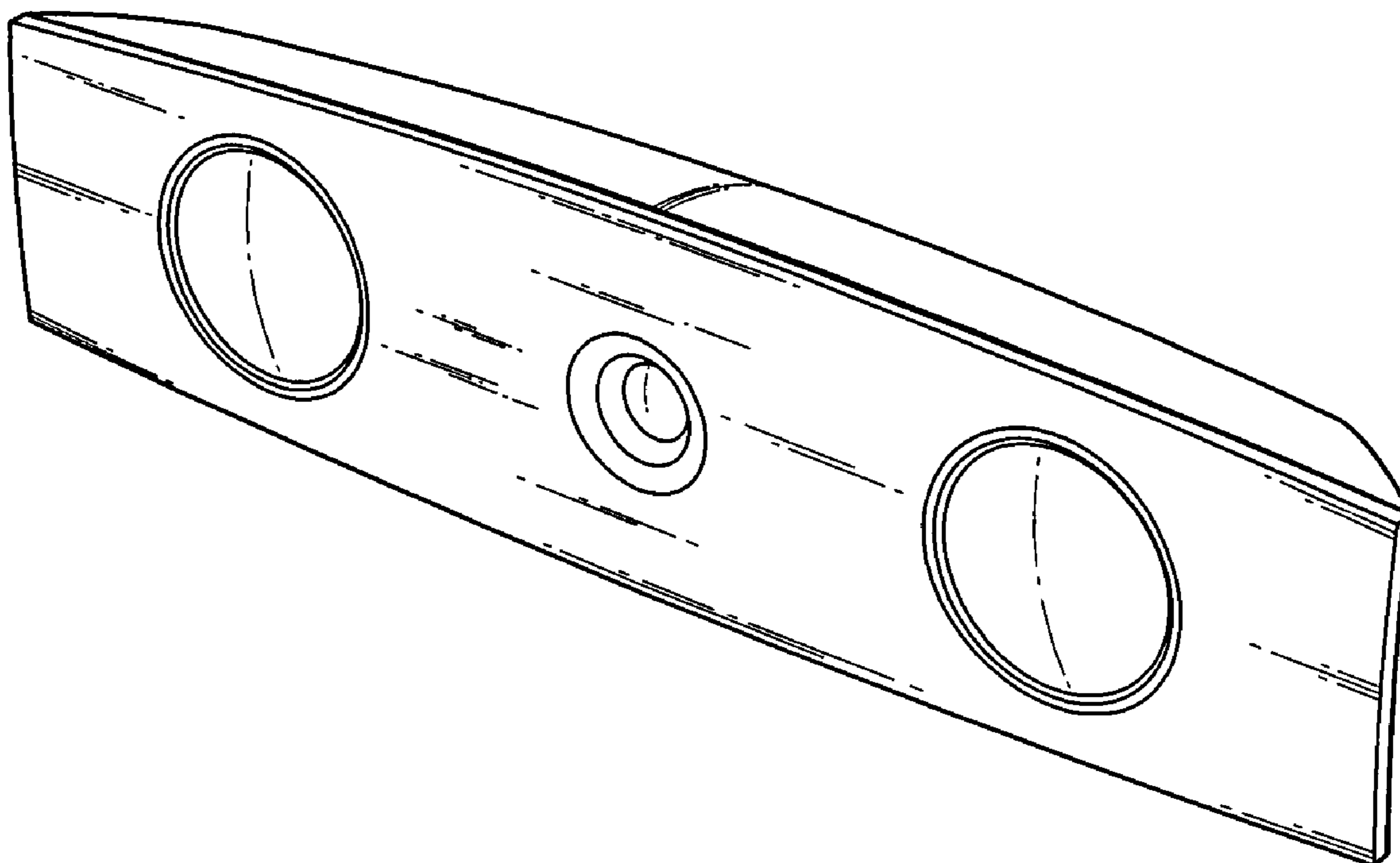


FIG. 1

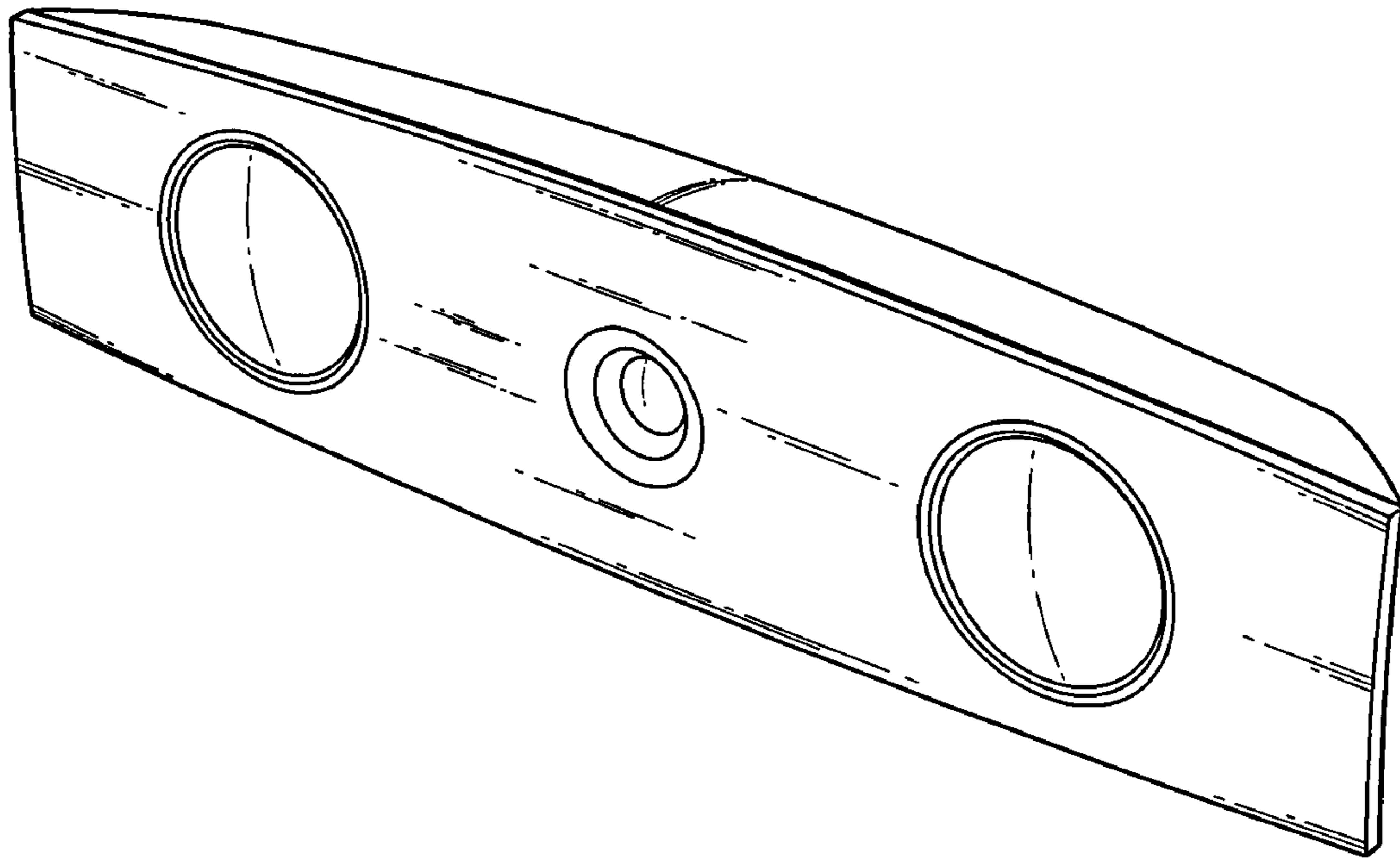


FIG. 2

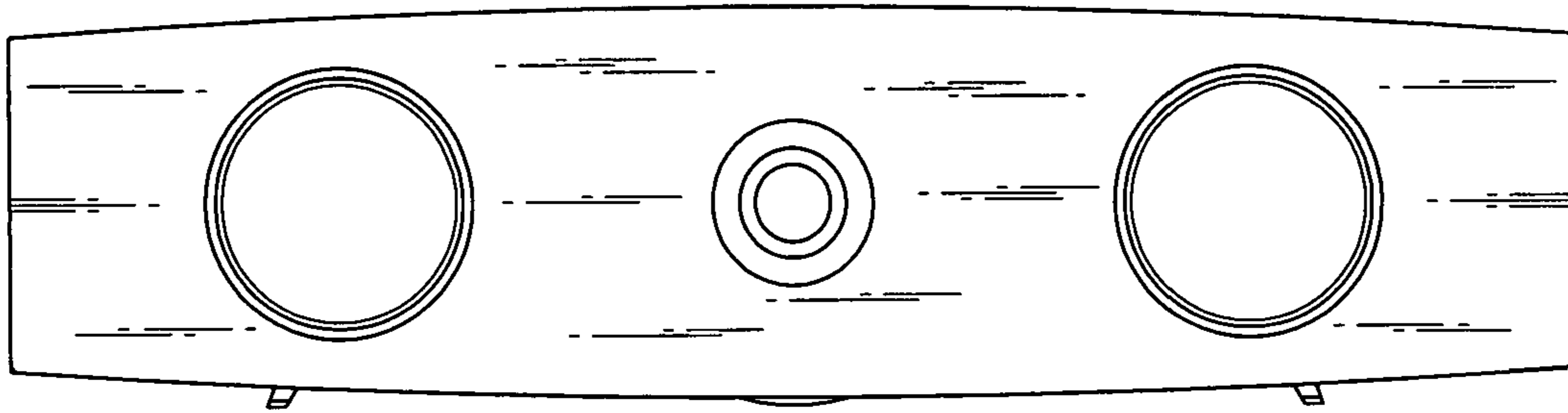


FIG. 3

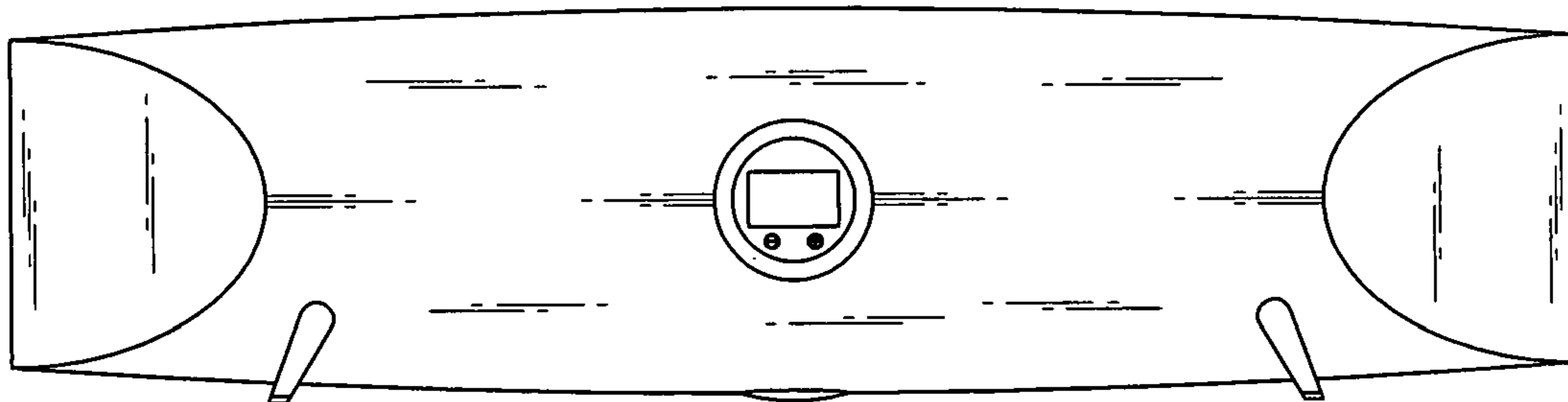


FIG. 4

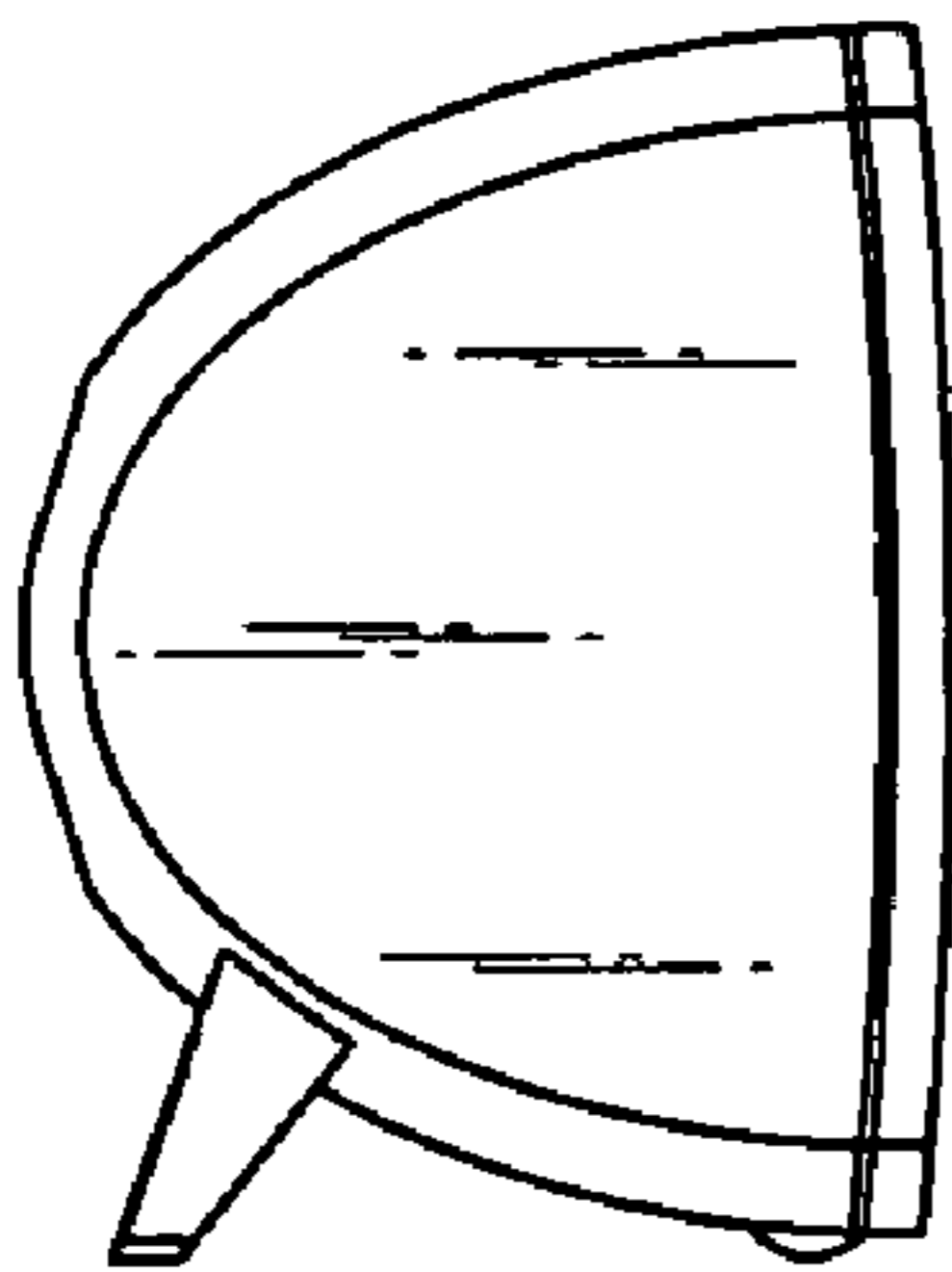


FIG. 5

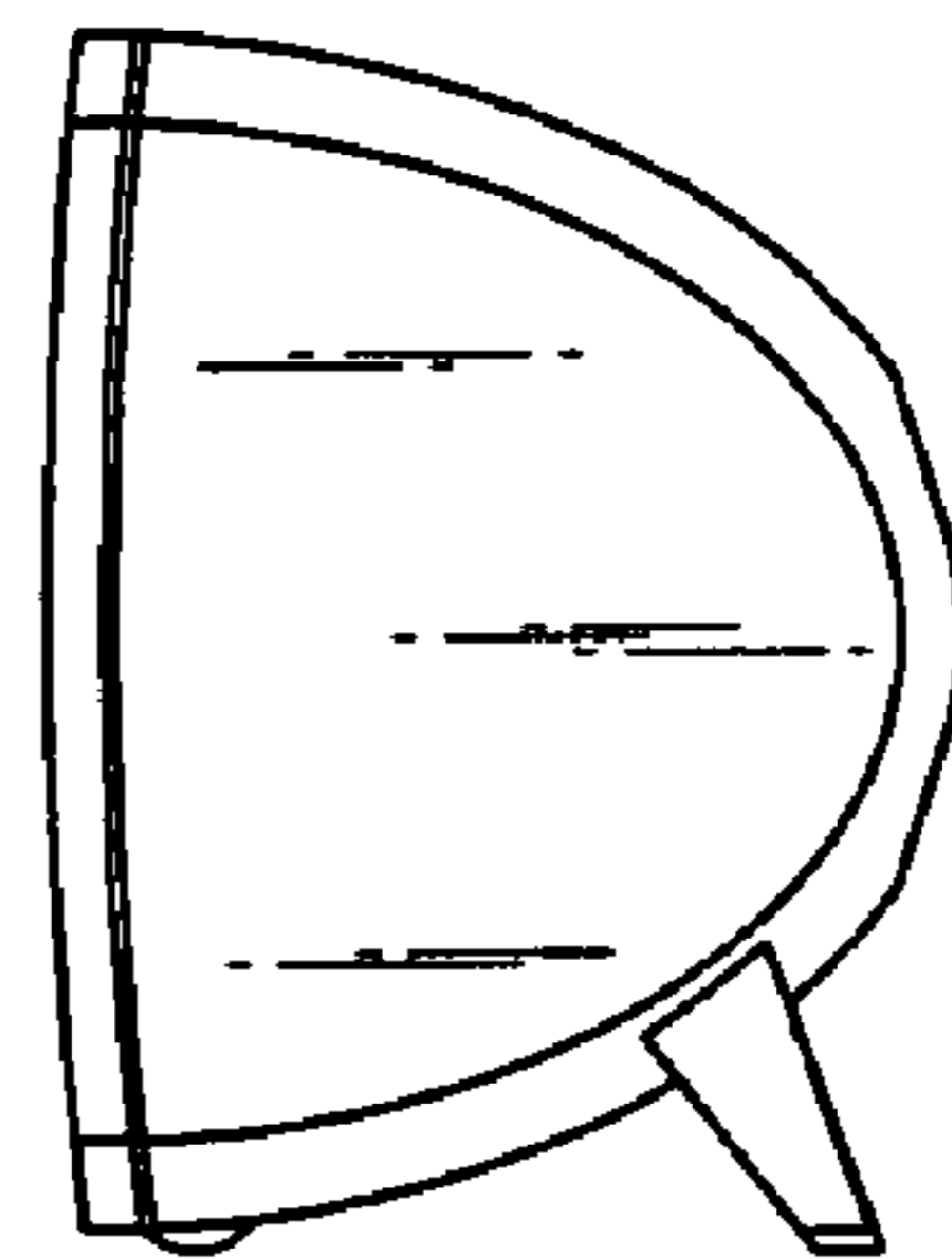


FIG. 6

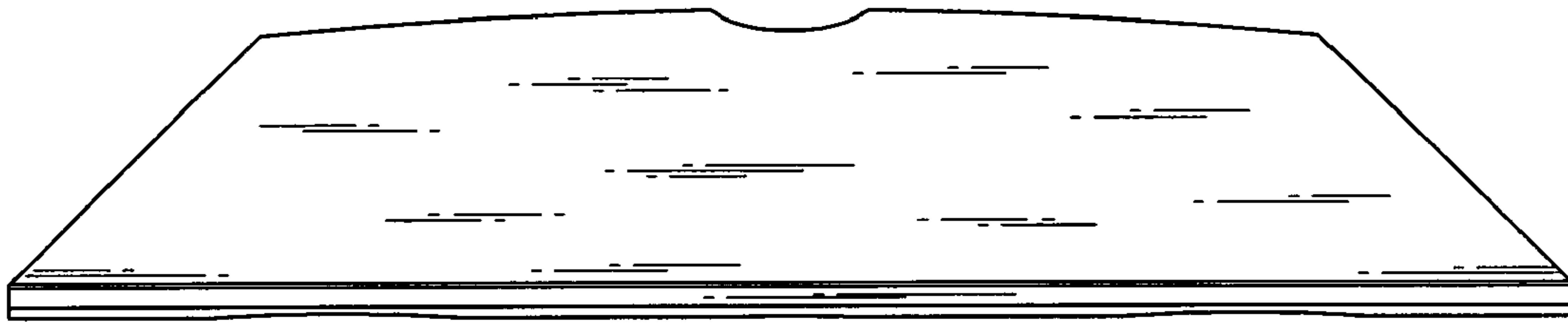


FIG. 7

