



US00D578108S

(12) **United States Design Patent**  
**Shih et al.**

(10) **Patent No.:** **US D578,108 S**  
(45) **Date of Patent:** **\*\* Oct. 7, 2008**

(54) **SPEAKER**

(75) Inventors: **Wei-Ming Shih**, Chung Ho (TW);  
**Min-Chieh Chai**, Chung Ho (TW)

(73) Assignee: **AmTran Technology Co., Ltd.**, Chung  
Ho (TW)

(\*\*) Term: **14 Years**

(21) Appl. No.: **29/297,640**

(22) Filed: **Nov. 15, 2007**

(51) **LOC (8) Cl.** ..... **14-01**

(52) **U.S. Cl.** ..... **D14/214**

(58) **Field of Classification Search** ..... D14/204,  
D14/209–217, 168, 349; 181/143–144, 147–148,  
181/150, 157, 198–199, 151, 153; 381/300–302,  
381/306, 333, 345, 361–364, 386–388, 332,  
381/336; 348/14.01

See application file for complete search history.

(56) **References Cited**

**U.S. PATENT DOCUMENTS**

D382,270 S \* 8/1997 Matsuoka ..... D14/214  
D394,861 S \* 6/1998 Tatsumi ..... D14/214

D417,874 S \* 12/1999 Suzuki ..... D14/215  
D503,169 S \* 3/2005 Hisatsune ..... D14/214  
D506,745 S \* 6/2005 Sitoh ..... D14/211  
D514,089 S \* 1/2006 Jones ..... D14/214

\* cited by examiner

*Primary Examiner*—Nanda Bondade

(74) *Attorney, Agent, or Firm*—Stevens & Showalter LLP

(57) **CLAIM**

The ornamental design for a “speaker,” as shown and described.

**DESCRIPTION**

FIG. 1 is a perspective view of “speaker” showing our new design;

FIG. 2 is a front view thereof;

FIG. 3 is a rear view thereof;

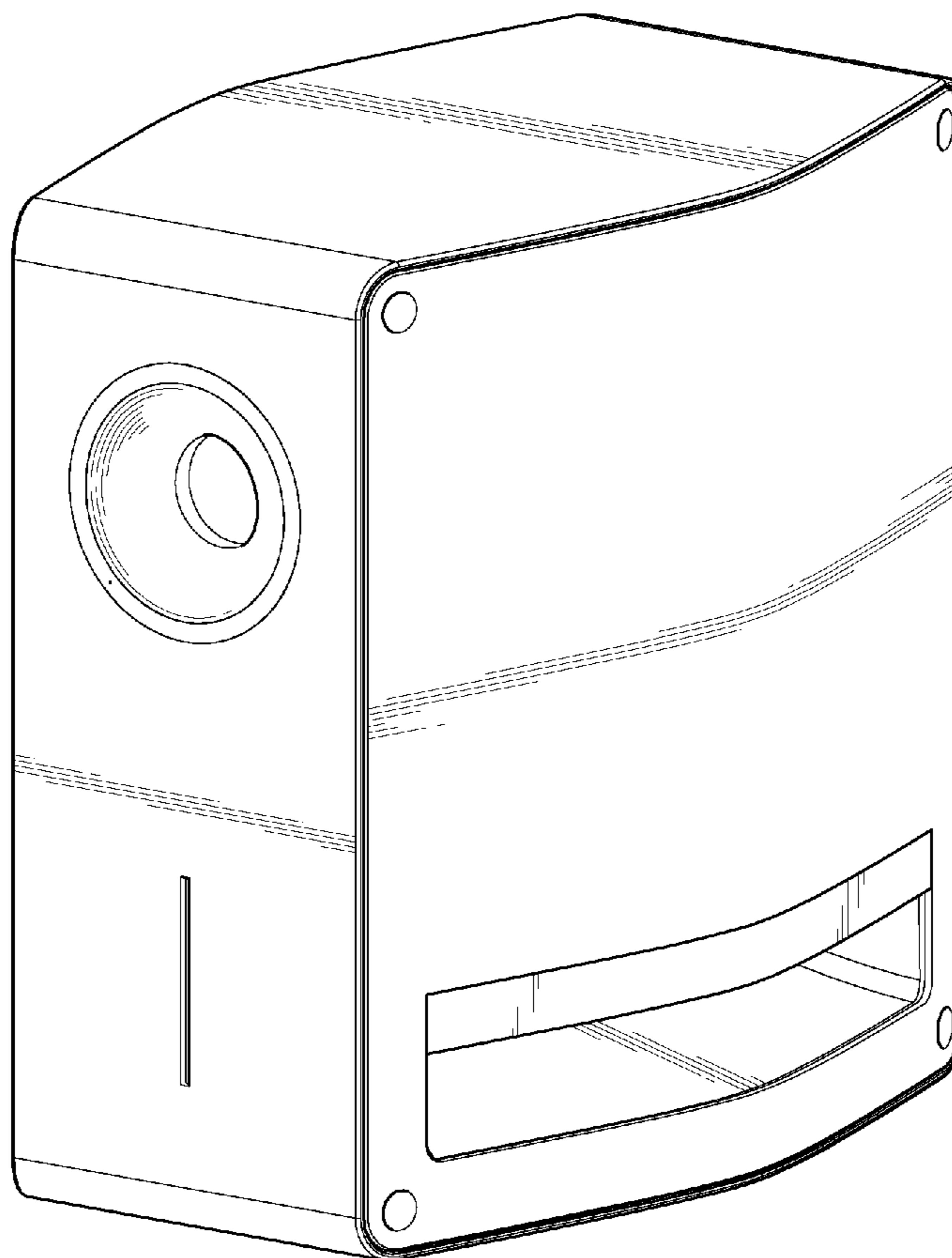
FIG. 4 is a left side elevational view thereof;

FIG. 5 is a right side elevational view thereof;

FIG. 6 is a top view thereof; and,

FIG. 7 is a bottom view thereof.

**1 Claim, 7 Drawing Sheets**



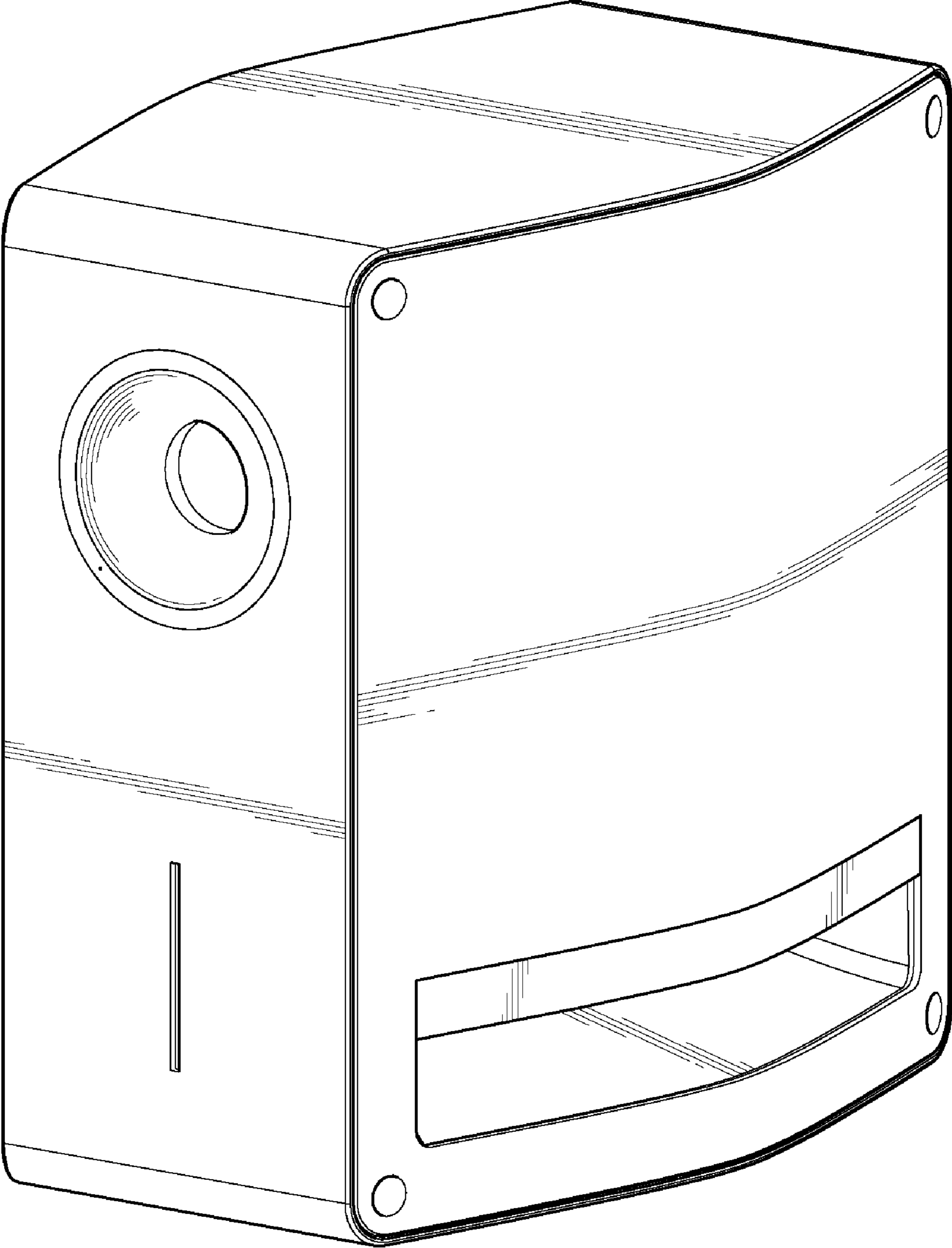


FIG.1

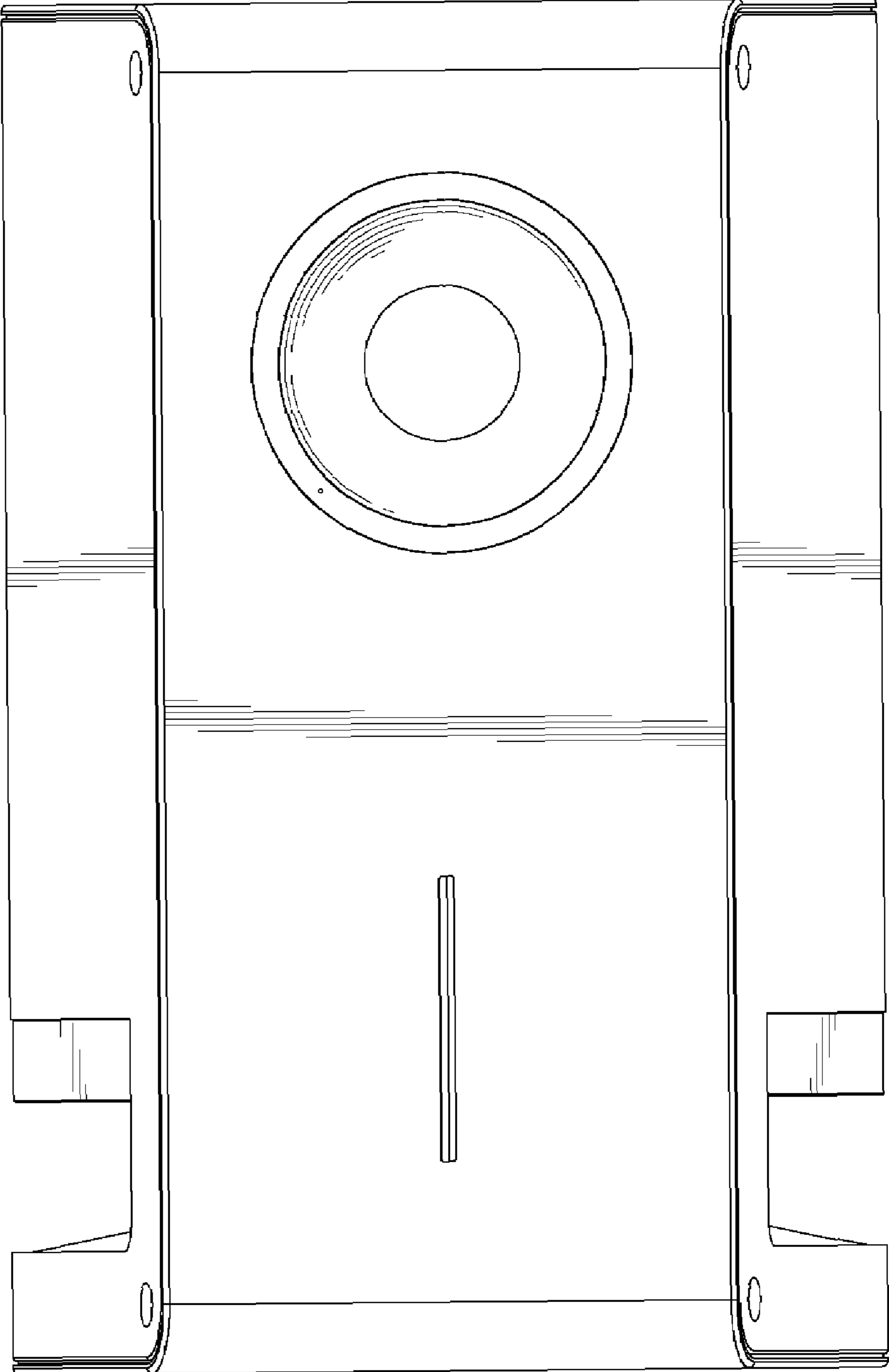


FIG.2

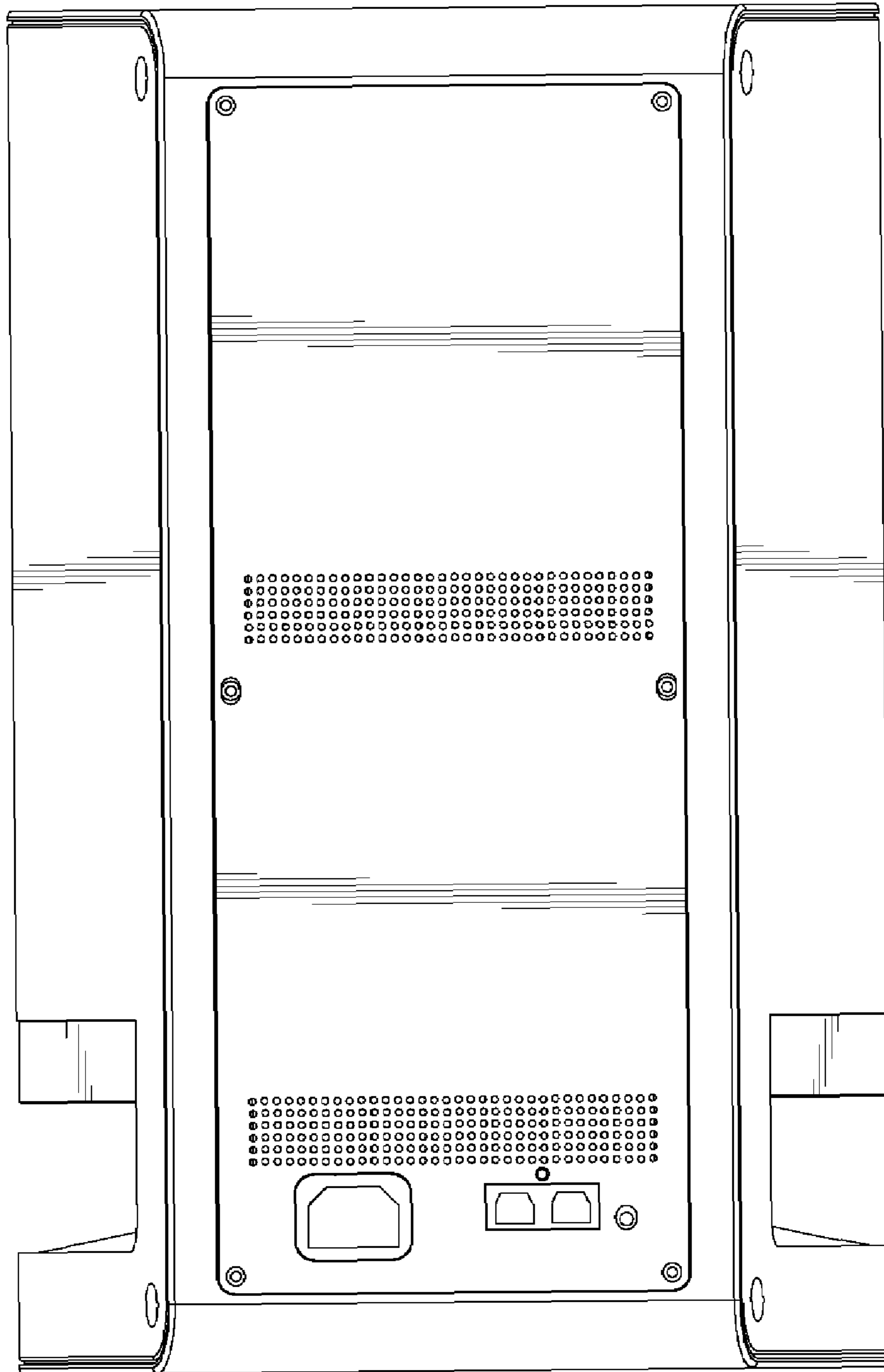


FIG.3

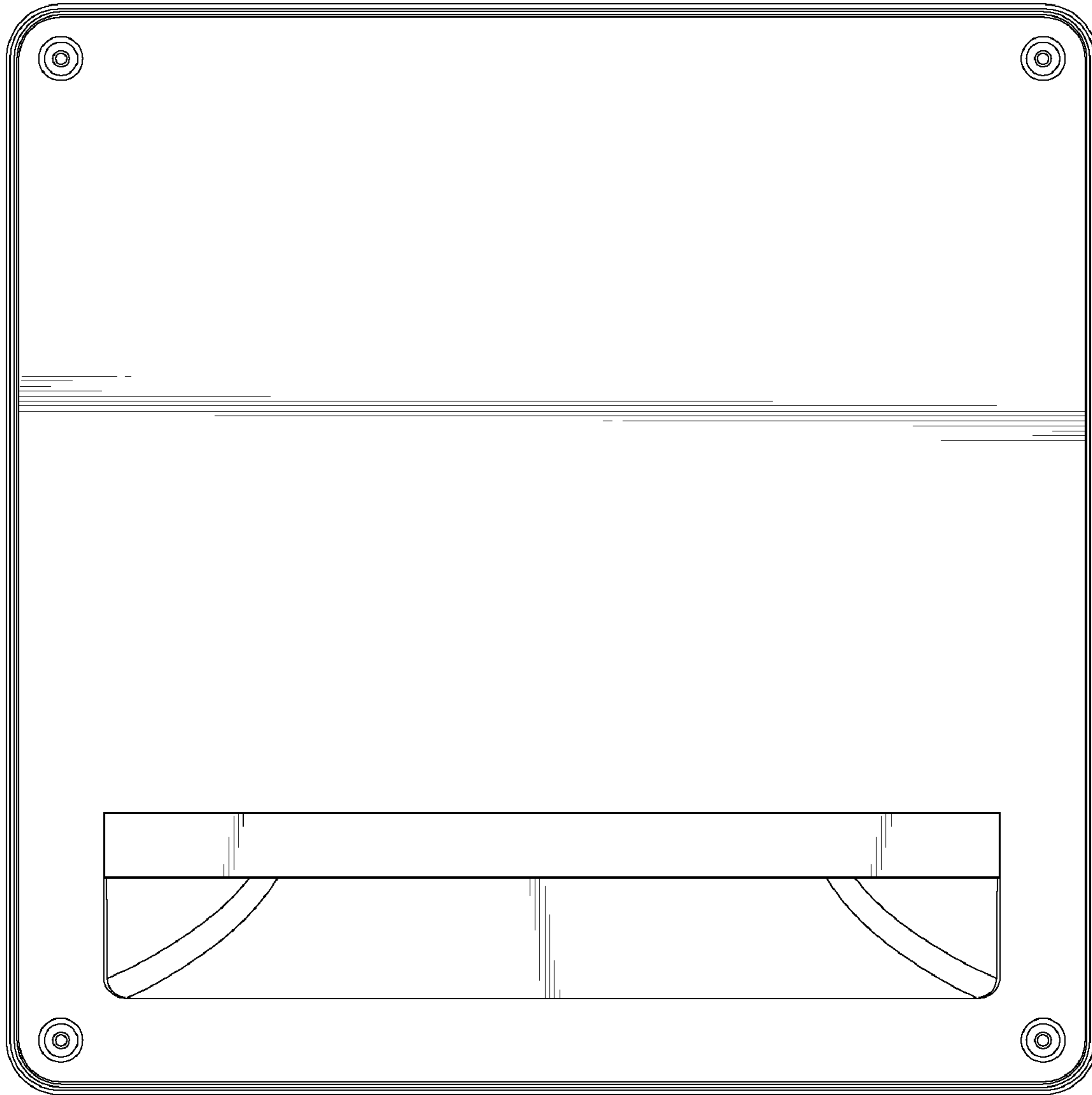


FIG.4

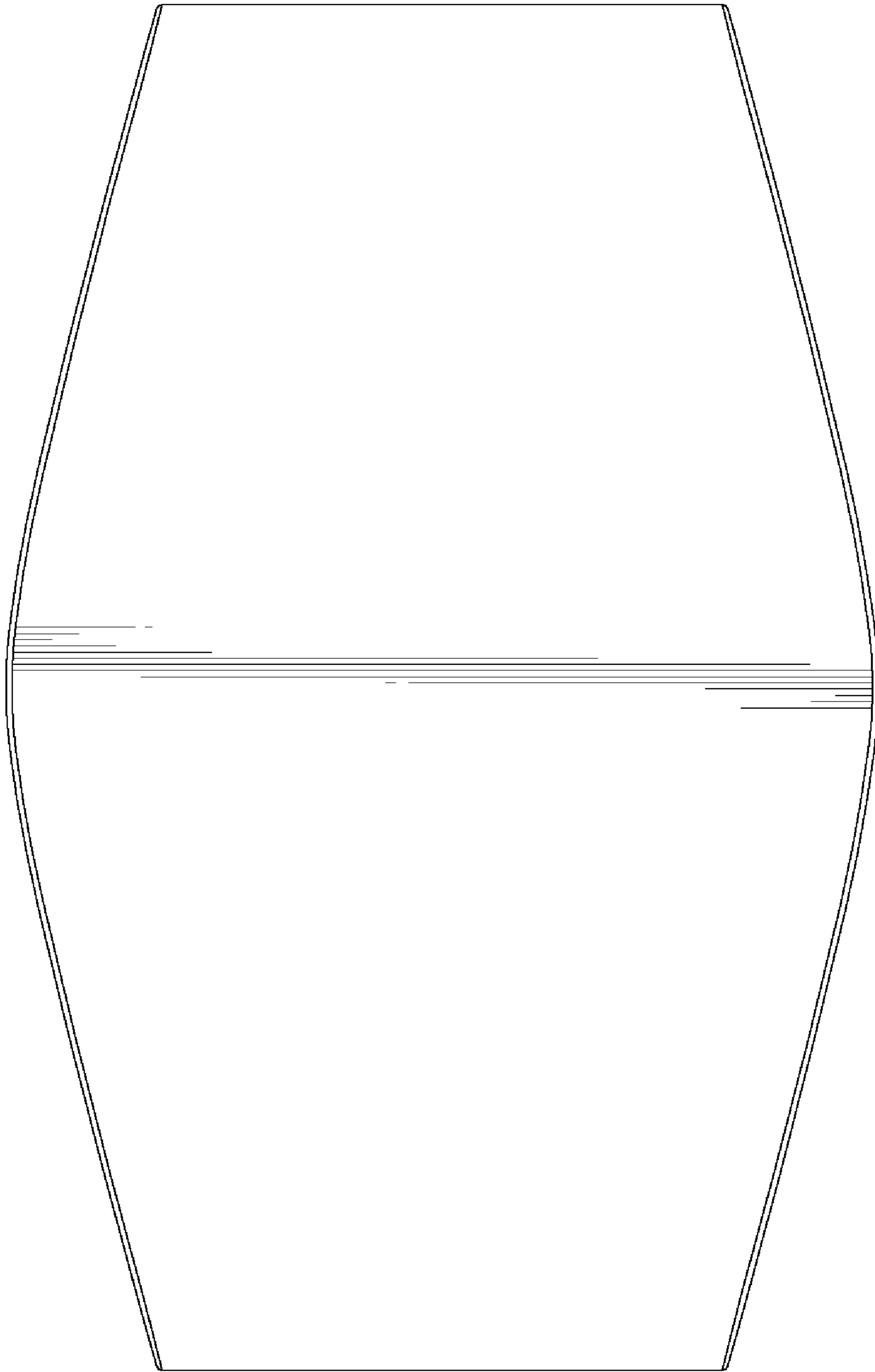


FIG.5

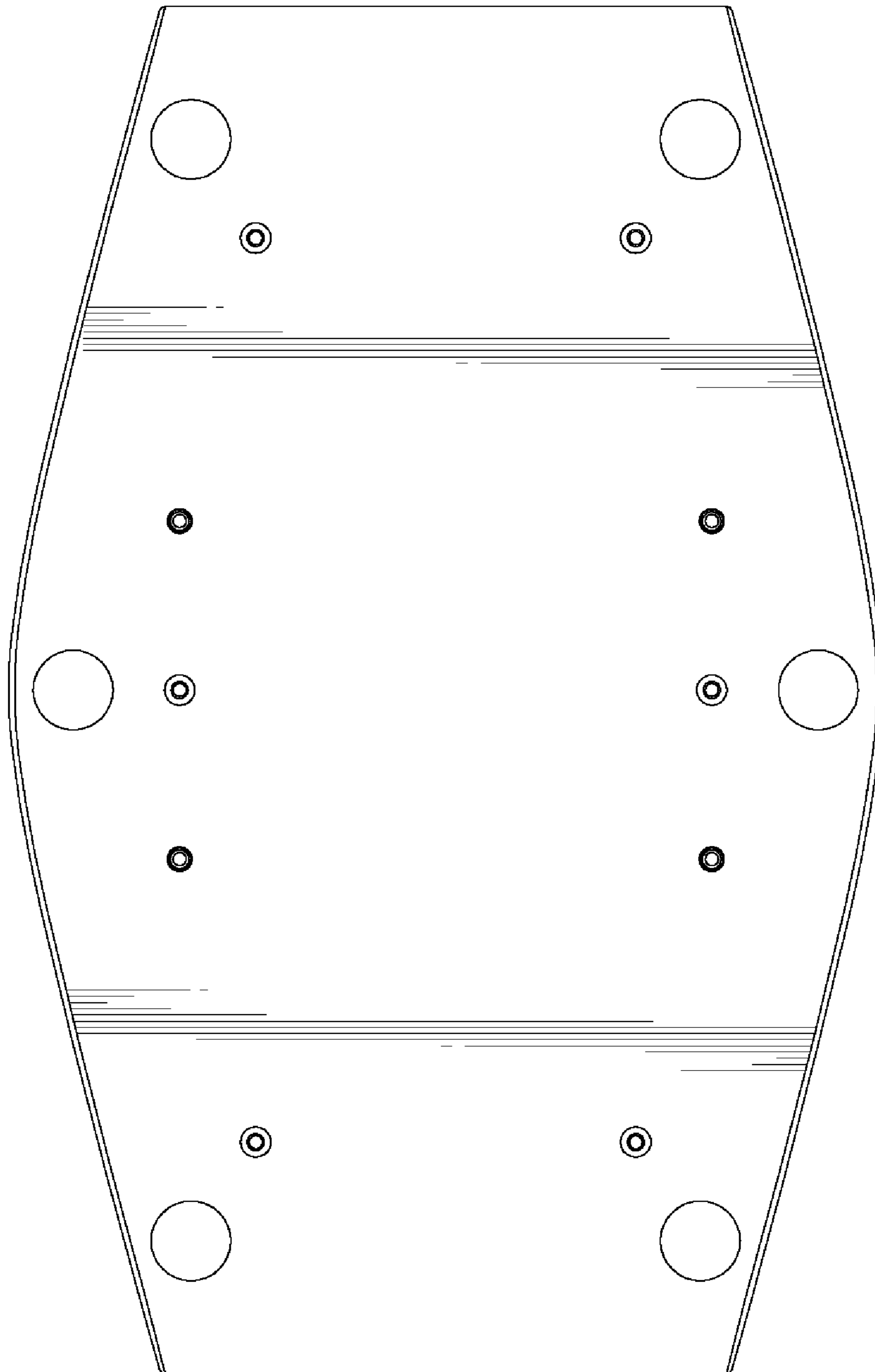


FIG.6

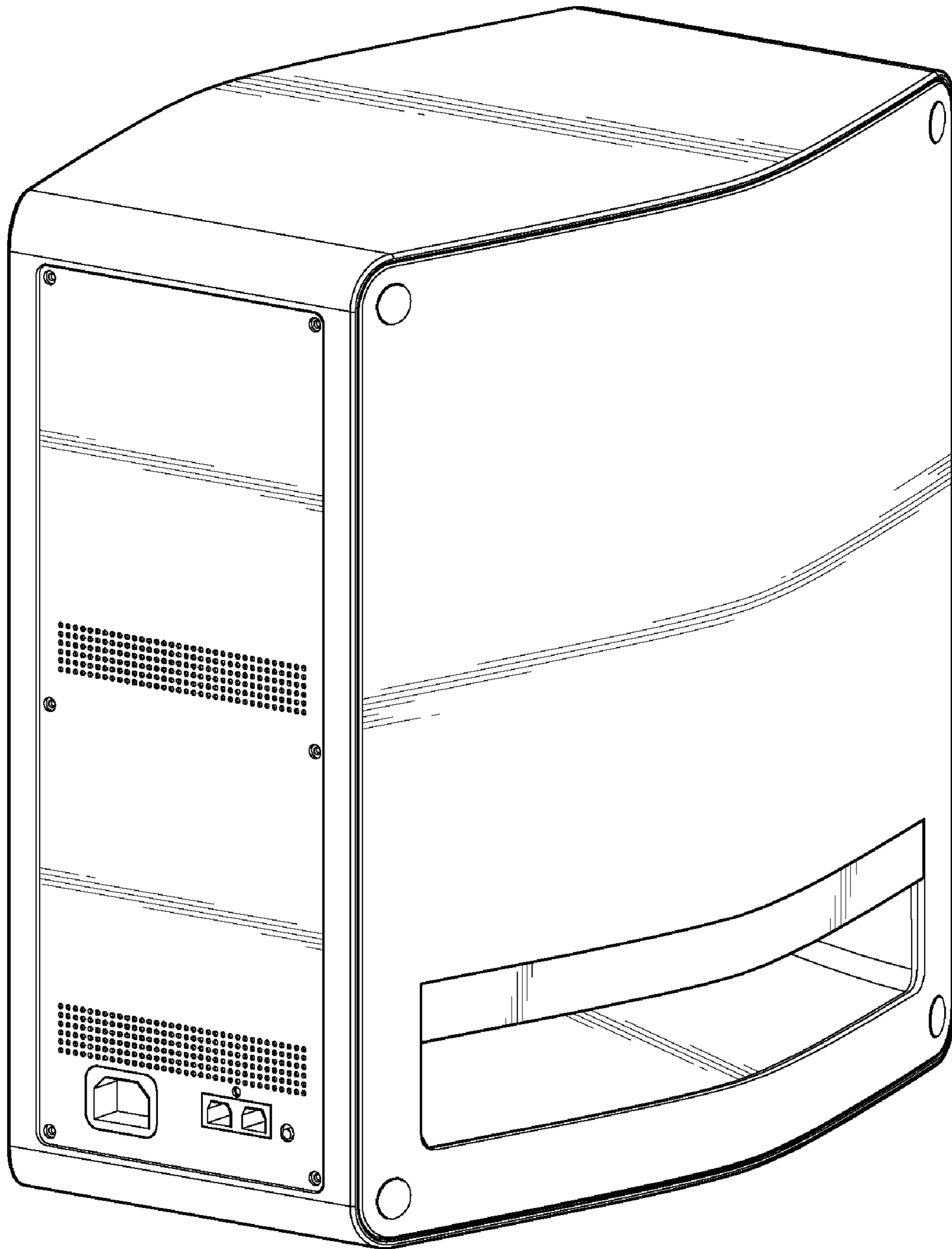


FIG. 7