



US00D578107S

(12) **United States Design Patent**  
**Shimizu**

(10) **Patent No.:** **US D578,107 S**  
(45) **Date of Patent:** **\*\* Oct. 7, 2008**

(54) **SPEAKER BOX**

(75) Inventor: **Naoto Shimizu**, Tokyo (JP)  
(73) Assignee: **Sony Corporation**, Tokyo (JP)  
(\*\*) Term: **14 Years**  
(21) Appl. No.: **29/290,577**  
(22) Filed: **Dec. 18, 2007**

(51) **LOC (8) Cl.** ..... **14-01**  
(52) **U.S. Cl.** ..... **D14/214; D14/216**  
(58) **Field of Classification Search** ..... D14/204,  
D14/209-216, 496; 181/143-144, 147-148,  
181/150, 157, 198-199, 151, 153; 381/300-302,  
381/306, 333, 345, 361-364, 386, 388, 332,  
381/336

See application file for complete search history.

(56) **References Cited**

**U.S. PATENT DOCUMENTS**

D379,627 S	6/1997	Takahashi	
D421,607 S	3/2000	Hakoda	
D446,188 S	8/2001	Gershfeld	
D491,165 S	6/2004	Hakoda	
D491,166 S *	6/2004	Hakoda	D14/214
D491,553 S *	6/2004	Cook	D14/214
D503,396 S	3/2005	Hisatsune	
D511,339 S	11/2005	Tsuge	
D542,271 S *	5/2007	Jenkins et al.	D14/214
D546,816 S *	7/2007	Smith	D14/214

**FOREIGN PATENT DOCUMENTS**

JP 1229121 S 1/2005

**OTHER PUBLICATIONS**

Web page press release "XW-HT1" [http://www3.pioneer.co.jp/product/product\\_info.php?product\\_no=00000162&cate\\_cd=106&option\\_no=4](http://www3.pioneer.co.jp/product/product_info.php?product_no=00000162&cate_cd=106&option_no=4), 2 sheets, Pioneer Corporation (Aug. 15, 2006).  
Web page press release "151SE (B/W)" [http://www.bose.co.jp/home\\_audio/env\\_speakers/151.html](http://www.bose.co.jp/home_audio/env_speakers/151.html), 1 sheet, Bose KK (Aug. 15, 2006).  
JP Prior Art, "Speaker Box AM-3WII", HC04004601.

\* cited by examiner

*Primary Examiner*—Nanda Bondade  
(74) *Attorney, Agent, or Firm*—Rader, Fishman & Grauer, PLLC

(57) **CLAIM**

The ornamental design for a speaker box, as shown.

**DESCRIPTION**

FIG. 1 is a perspective view of a speaker box showing my new design;  
FIG. 2 is a front elevational view thereof;  
FIG. 3 is a rear elevational view thereof;  
FIG. 4 is a left side elevational view thereof;  
FIG. 5 is a right side elevational view thereof;  
FIG. 6 is a top plan view thereof; and,  
FIG. 7 is a bottom plan view thereof.

**1 Claim, 7 Drawing Sheets**

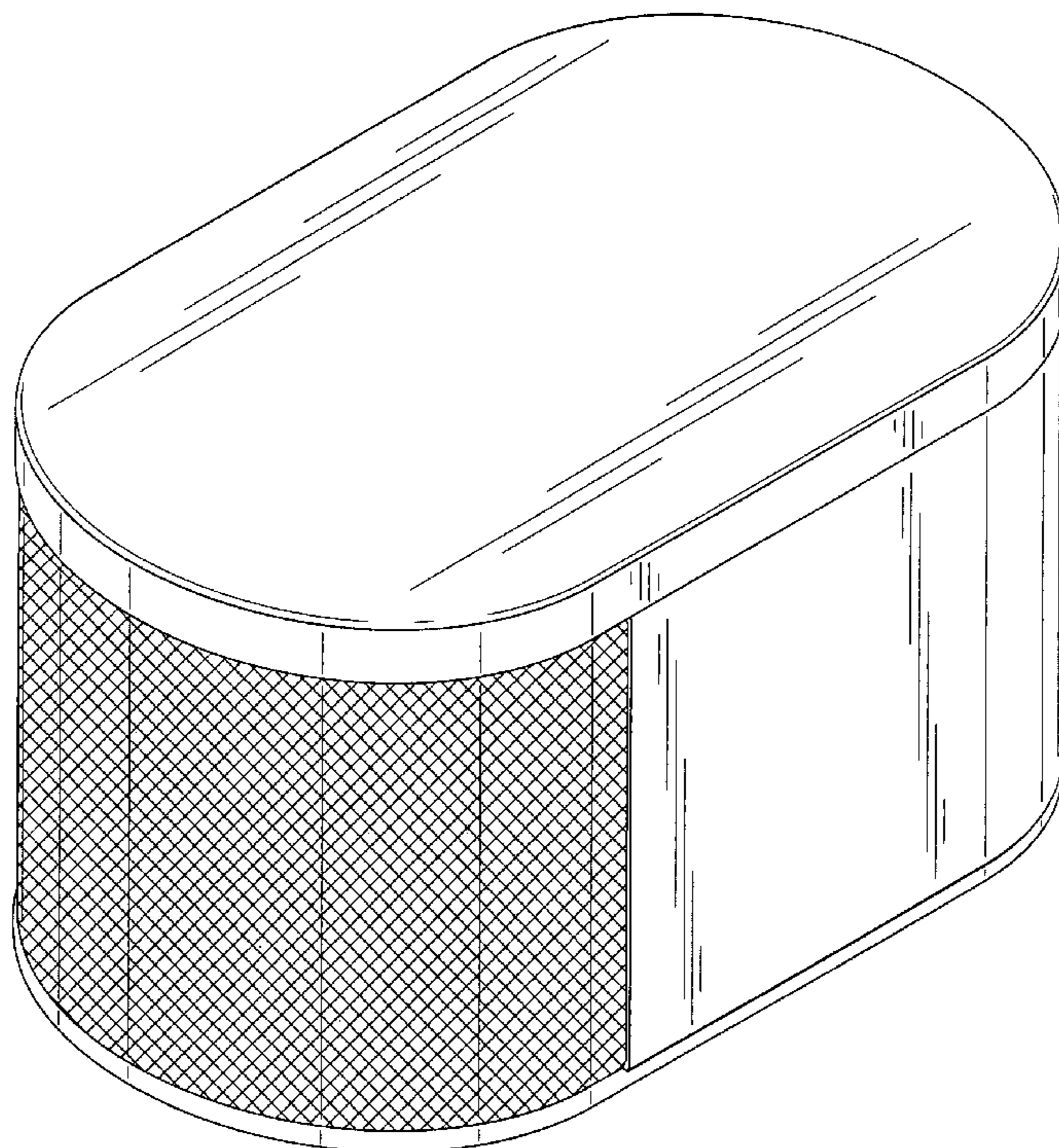


Fig.1

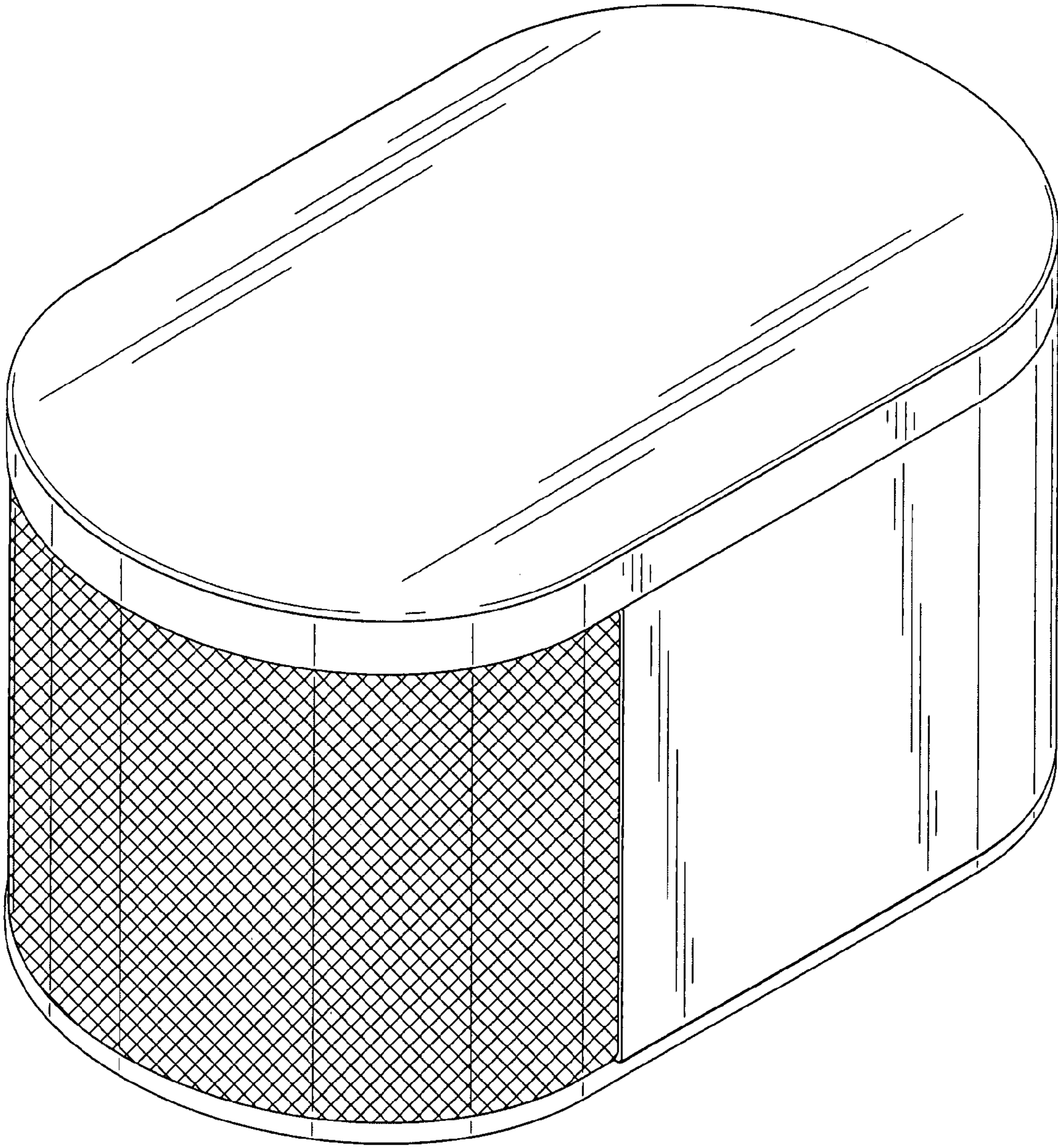


Fig.2

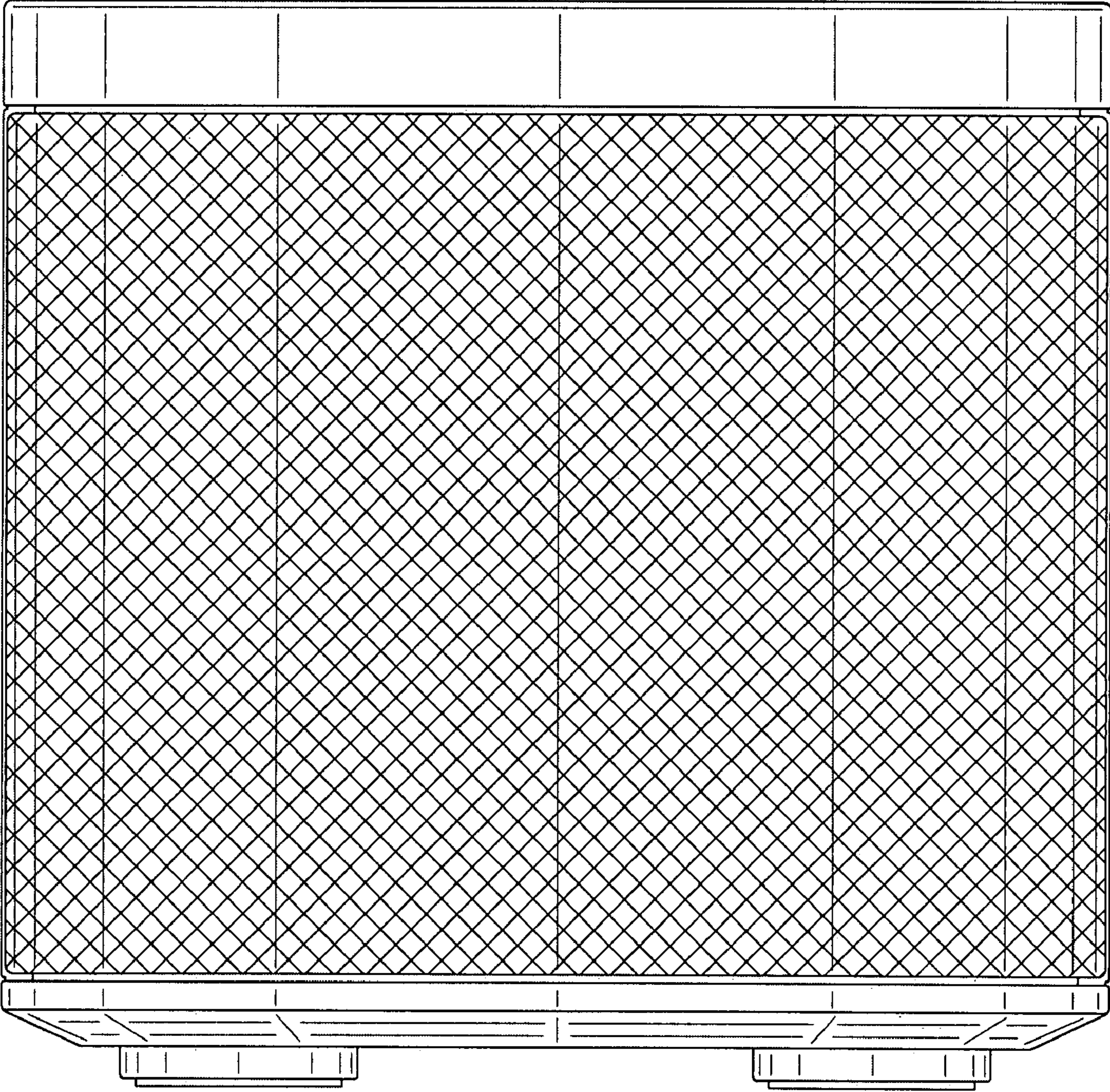


Fig.3

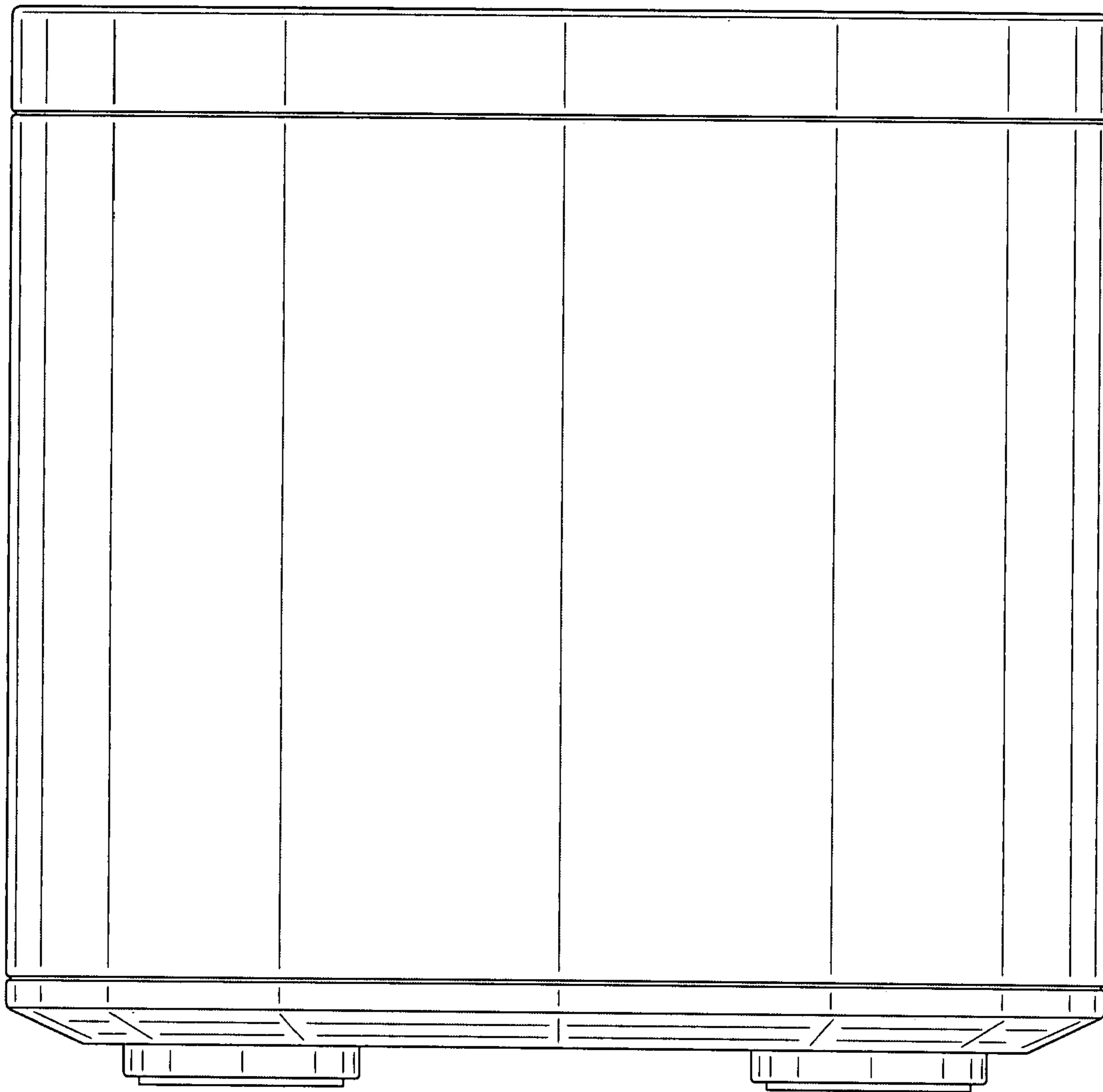


Fig.4

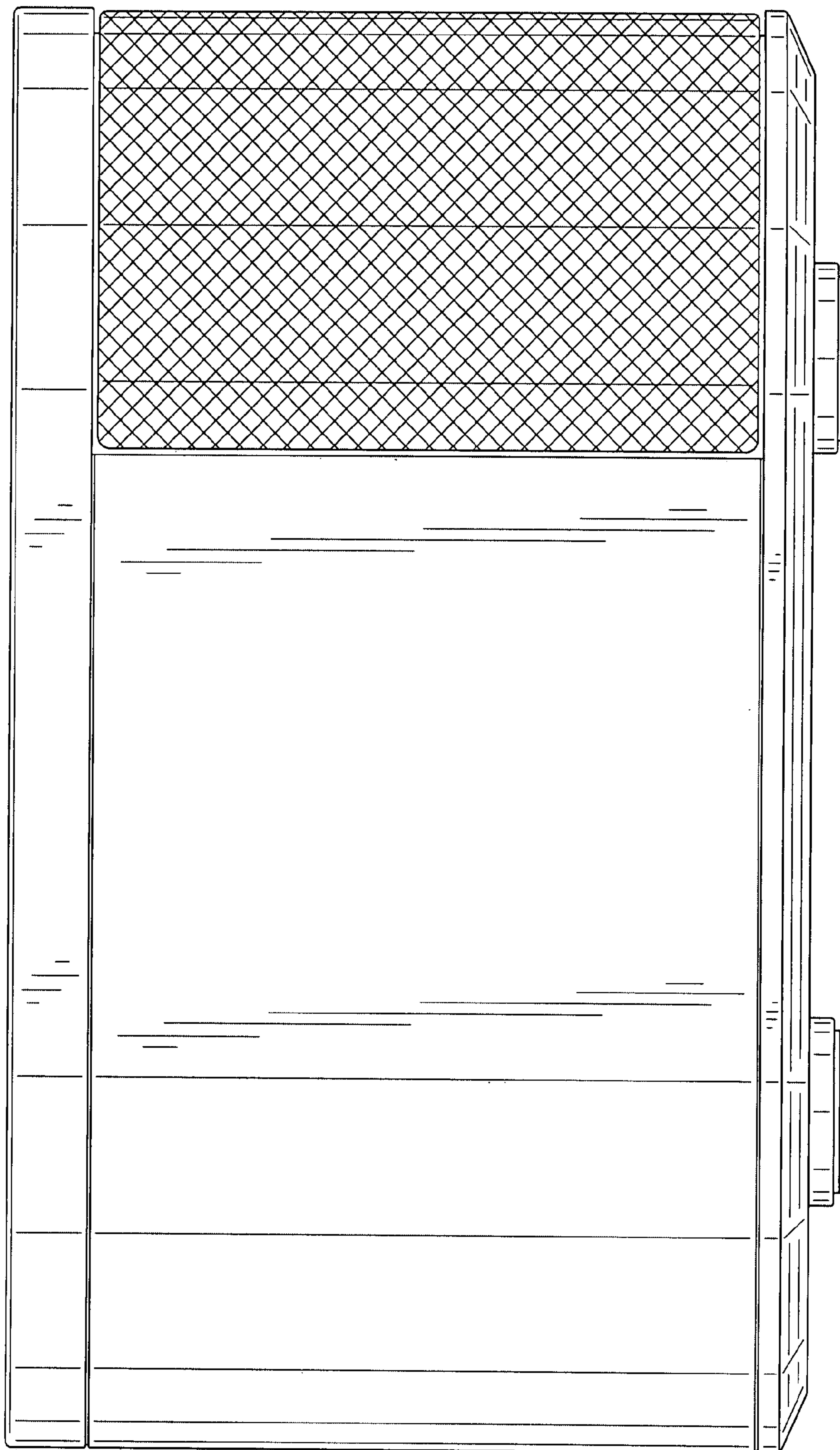


Fig.5

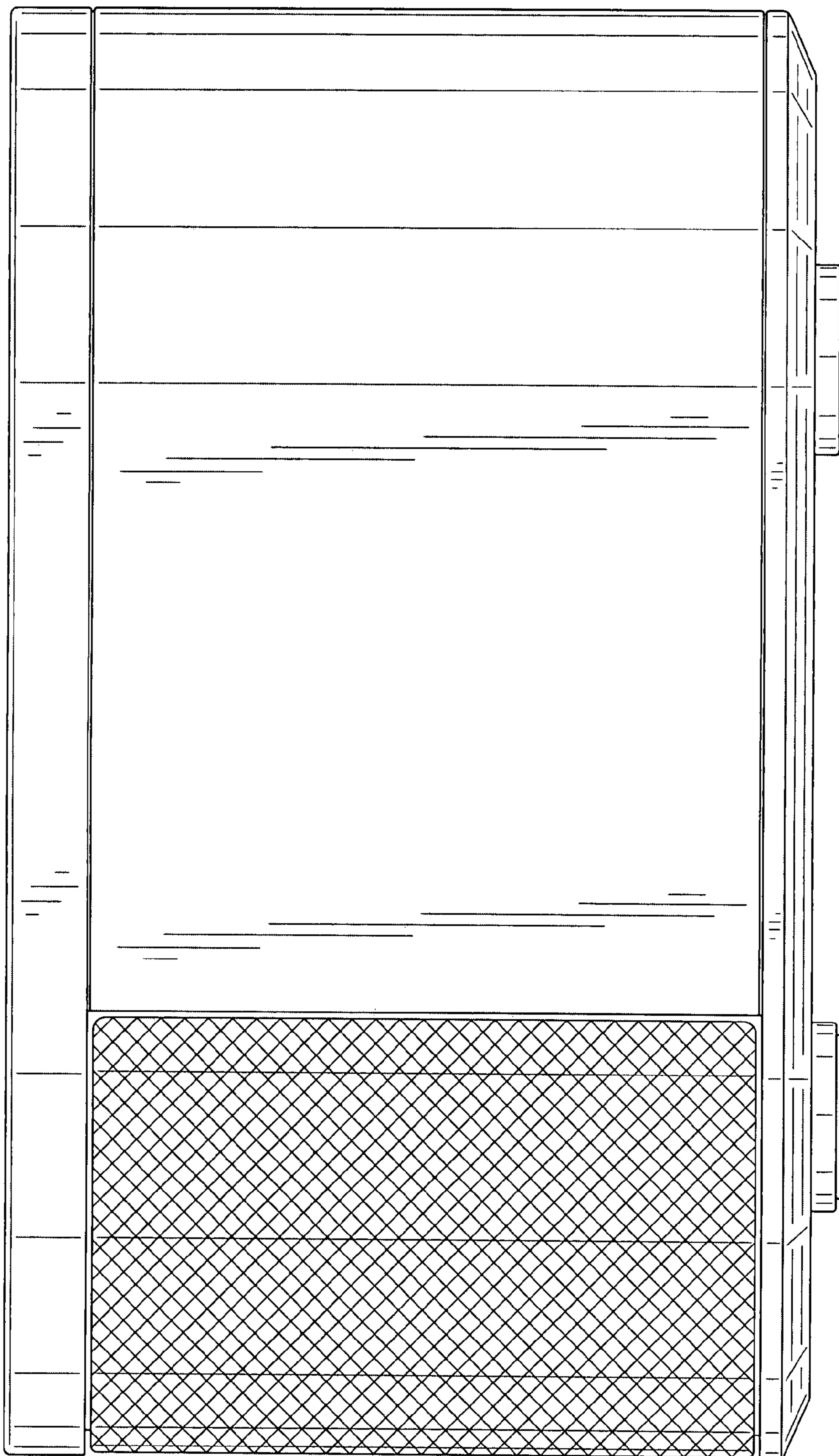


Fig.6

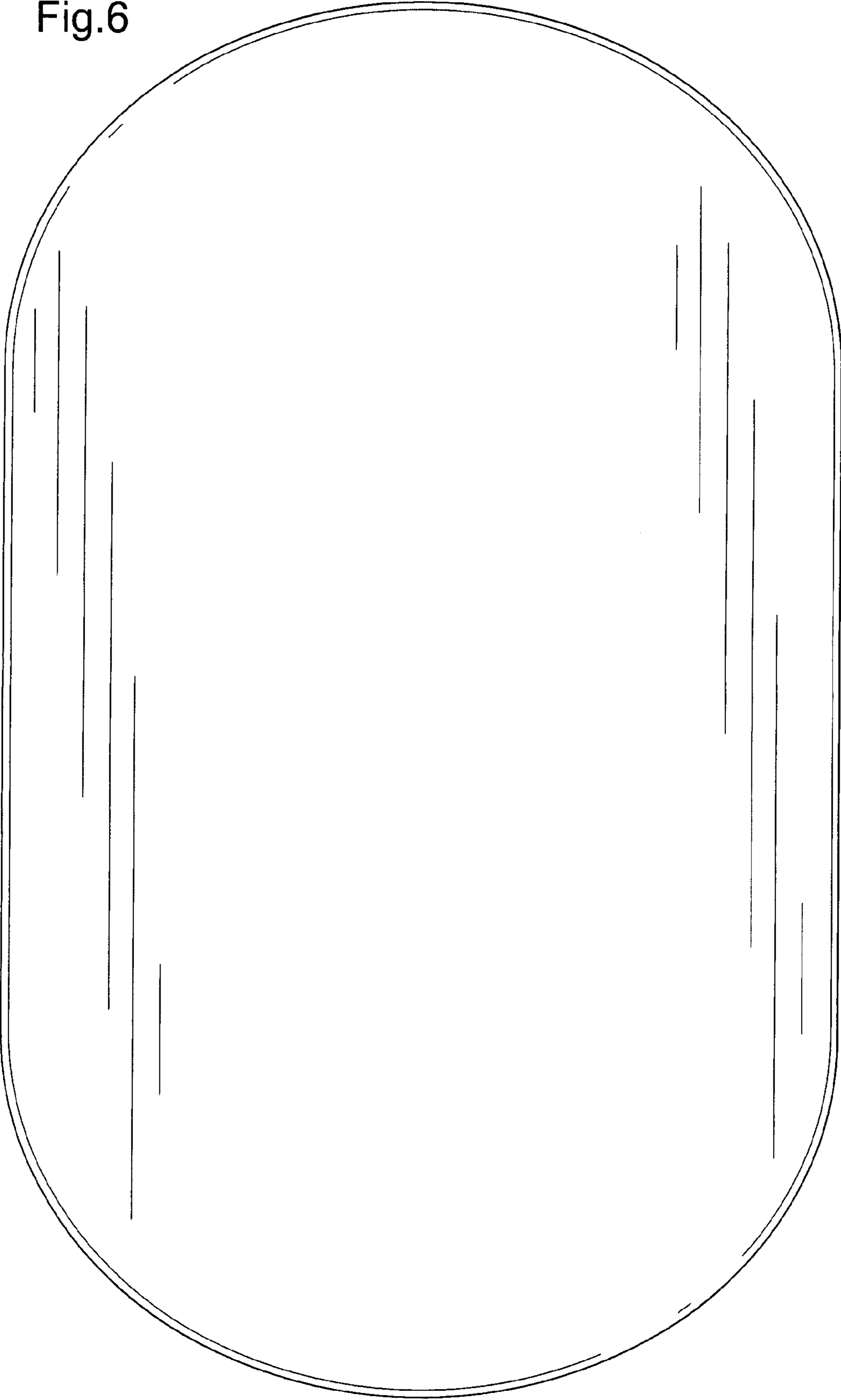


Fig.7

