



US00D578104S

(12) **United States Design Patent**
Schöffmann et al.

(10) **Patent No.:** **US D578,104 S**

(45) **Date of Patent:** **** Oct. 7, 2008**

(54) **LOUDSPEAKER**

(75) Inventors: **Michael Schöffmann**, Baden (AT);
Thomas Walter, Vienna (AT)

(73) Assignee: **NXP B.V.**, Eindhoven (NL)

(**) Term: **14 Years**

(21) Appl. No.: **29/287,318**

(22) Filed: **Jul. 23, 2007**

(51) **LOC (8) Cl.** **14-01**

(52) **U.S. Cl.** **D14/214**

(58) **Field of Classification Search** D14/204,
D14/209–216, 172, 496; 181/143–144, 147–148,
181/150, 157, 198–199, 151, 153; 381/300–302,
381/306, 333, 345, 361–364, 386–388, 332,
381/336; 369/1, 6–12

See application file for complete search history.

(56) **References Cited**

U.S. PATENT DOCUMENTS

D256,014 S * 7/1980 Noga D14/214

D432,521 S * 10/2000 Azumi D14/214
D532,773 S * 11/2006 Langberg et al. D14/214
D540,782 S * 4/2007 Katsumata D14/214

* cited by examiner

Primary Examiner—Nanda Bondade

(74) *Attorney, Agent, or Firm*—Nixon & Vanderhye, PC

(57) **CLAIM**

The ornamental design for a “loudspeaker,” as shown and described.

DESCRIPTION

FIG. 1 is a right front perspective view of a loudspeaker in accordance with our new design;

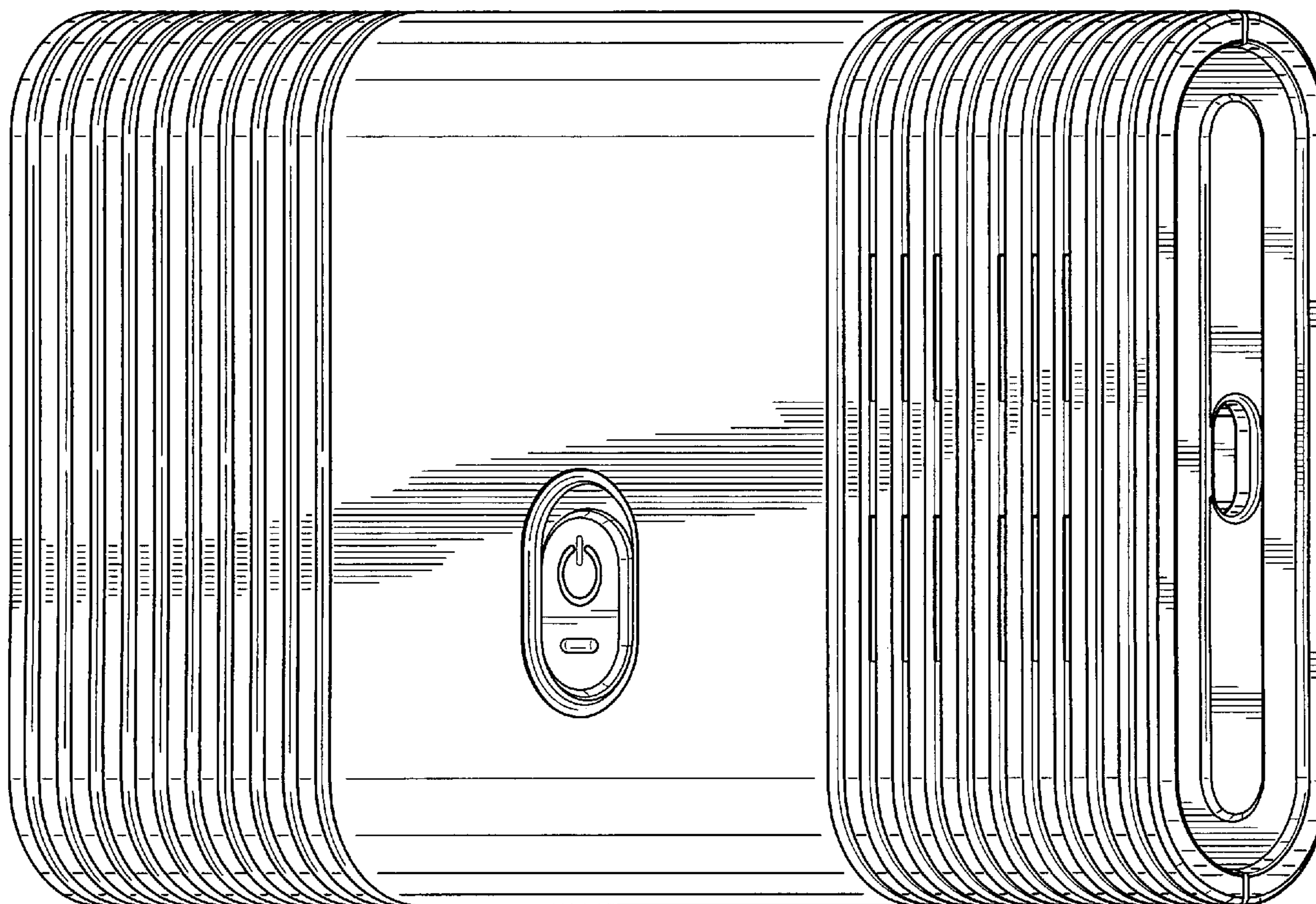
FIG. 2 is a left front perspective view thereof;

FIG. 3 is a front view thereof;

FIG. 4 is a rear view thereof; and,

FIG. 5 is a left side view thereof, the right side being a mirror image thereof.

1 Claim, 5 Drawing Sheets



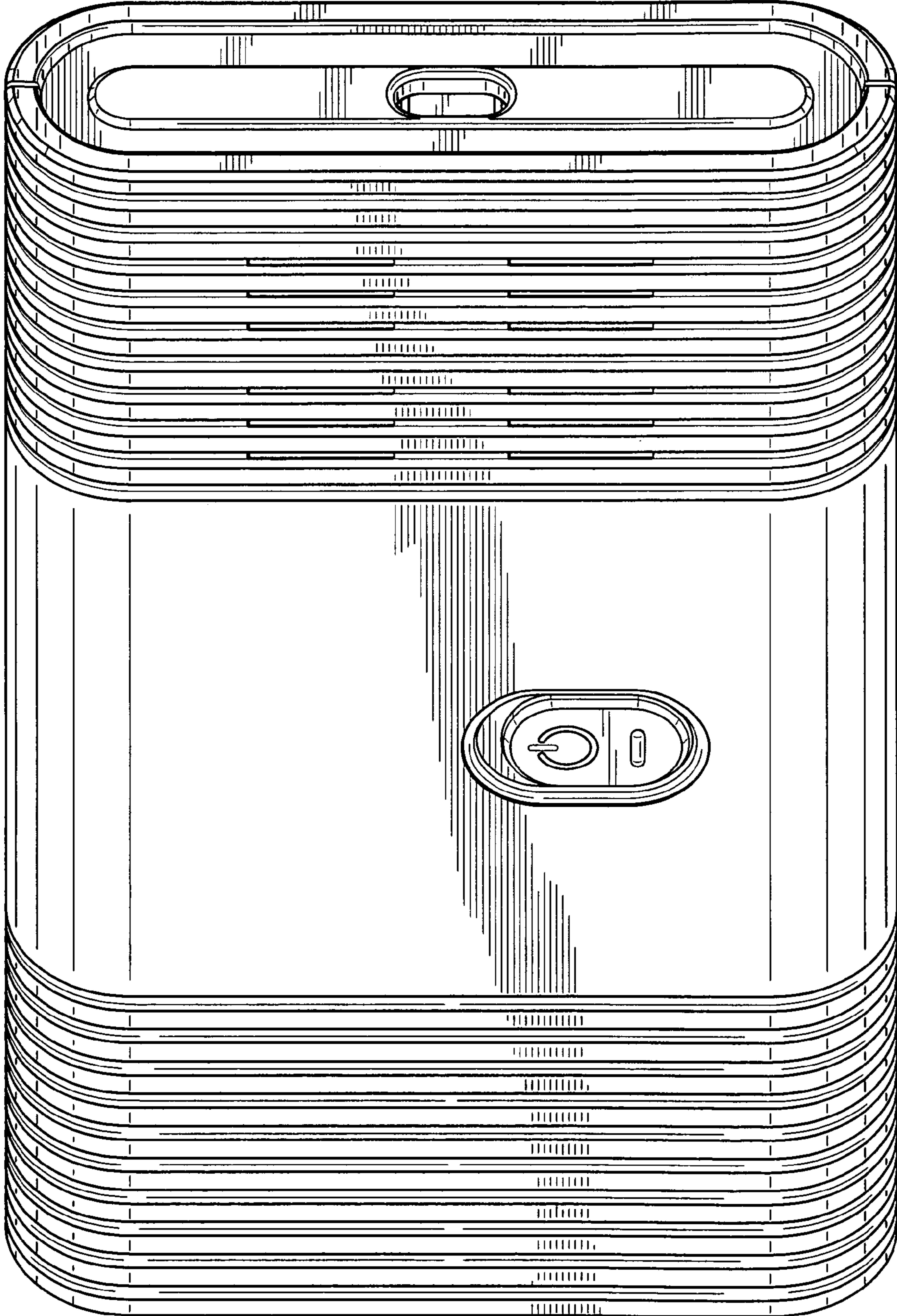


Fig. 1

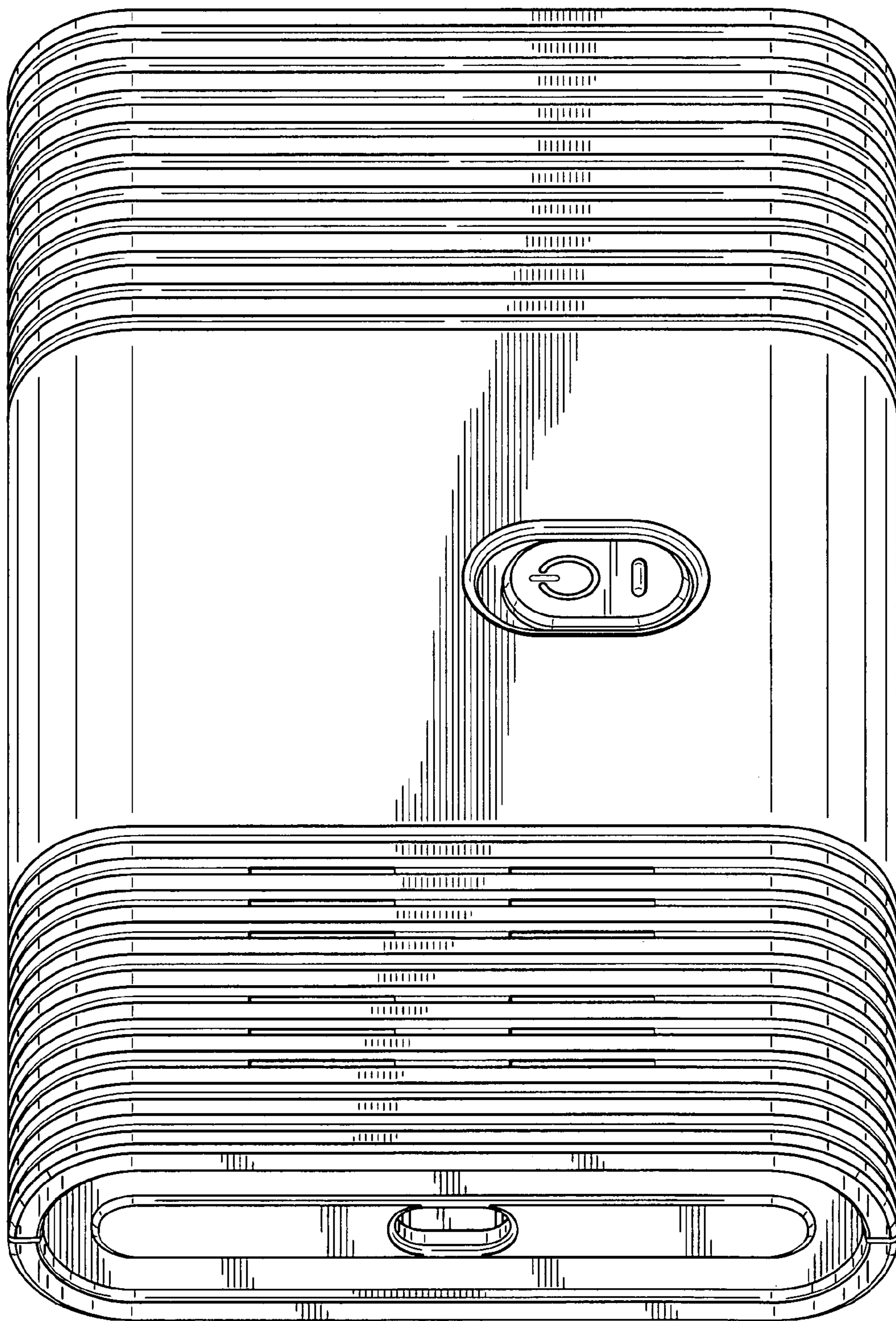


Fig. 2

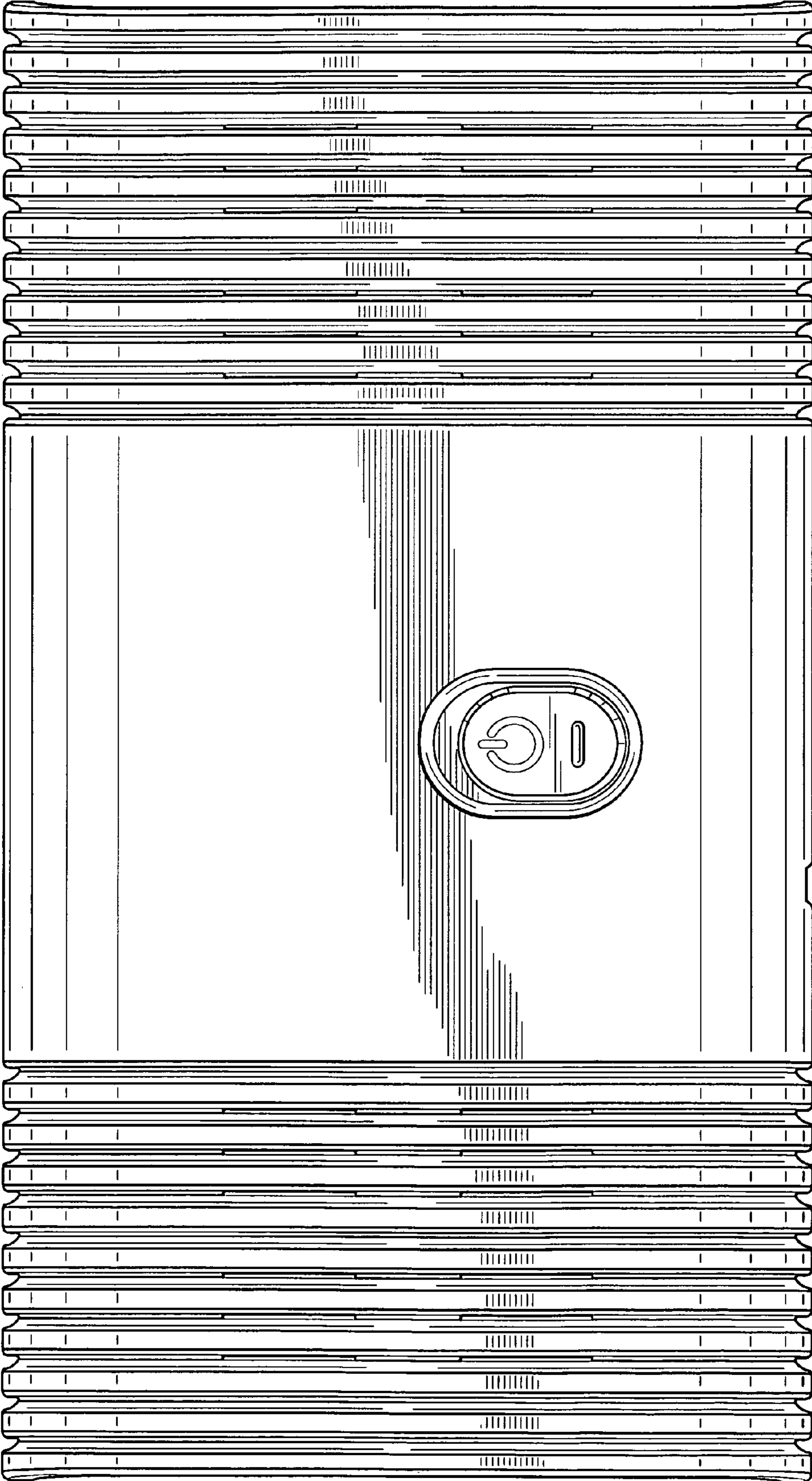


Fig. 3

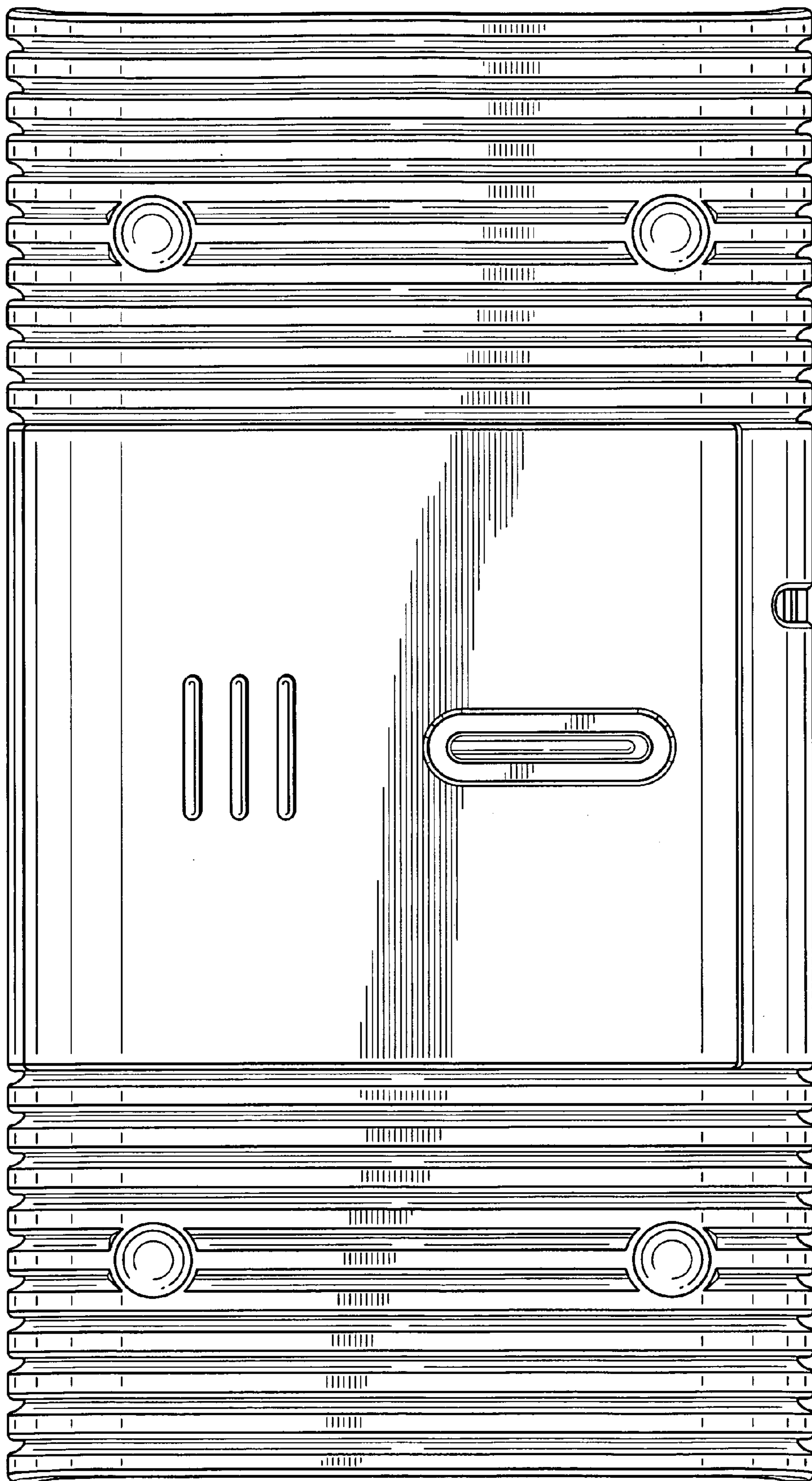


Fig. 4

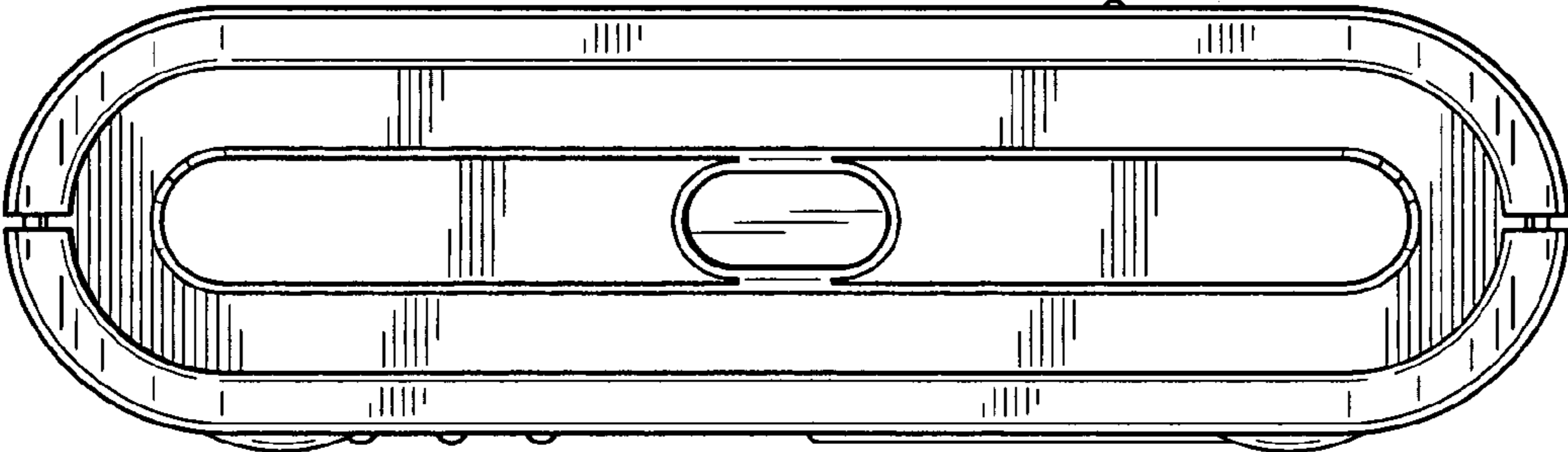


Fig. 5