



US00D578103S

(12) **United States Design Patent**
Matsuoka

(10) **Patent No.:** **US D578,103 S**
(45) **Date of Patent:** **** Oct. 7, 2008**

(54) **SPEAKER BOX**
(75) Inventor: **Shoichiro Matsuoka**, Tokyo (JP)
(73) Assignee: **Sony Corporation**, Tokyo (JP)
(**) Term: **14 Years**

D475,991 S 6/2003 Hisatsune
D503,168 S * 3/2005 Hisatsune D14/211
D512,987 S 12/2005 Tsuge
D522,492 S * 6/2006 Carbone D14/211
D543,534 S 5/2007 Tsuge

(21) Appl. No.: **29/290,526**
(22) Filed: **Dec. 13, 2007**

* cited by examiner

Primary Examiner—Nanda Bondade
(74) *Attorney, Agent, or Firm*—Rader, Fishman & Grauer, PLLC

(30) **Foreign Application Priority Data**
Sep. 25, 2007 (JP) D2007-025903

(57) **CLAIM**

The ornamental design for a speaker box, as shown.

(51) **LOC (8) Cl.** **14-01**
(52) **U.S. Cl.** **D14/211**
(58) **Field of Classification Search** D14/204,
D14/209–216, 168; 181/143–144, 147–148,
181/150, 157, 198–199, 151, 153; 381/300–302,
381/306, 333, 345, 361–364, 386–388, 332,
381/336; 348/14.01
See application file for complete search history.

DESCRIPTION

FIG. 1 is a perspective view of a speaker box showing my new design;
FIG. 2 is a front elevational view thereof;
FIG. 3 is a rear elevational view thereof;
FIG. 4 is a left side elevational view thereof;
FIG. 5 is a right side elevational view thereof;
FIG. 6 is a top plan view thereof; and,
FIG. 7 is a bottom plan view thereof.

(56) **References Cited**
U.S. PATENT DOCUMENTS
D451,494 S * 12/2001 Oikawa D14/214
D471,891 S * 3/2003 Oikawa D14/211

1 Claim, 7 Drawing Sheets

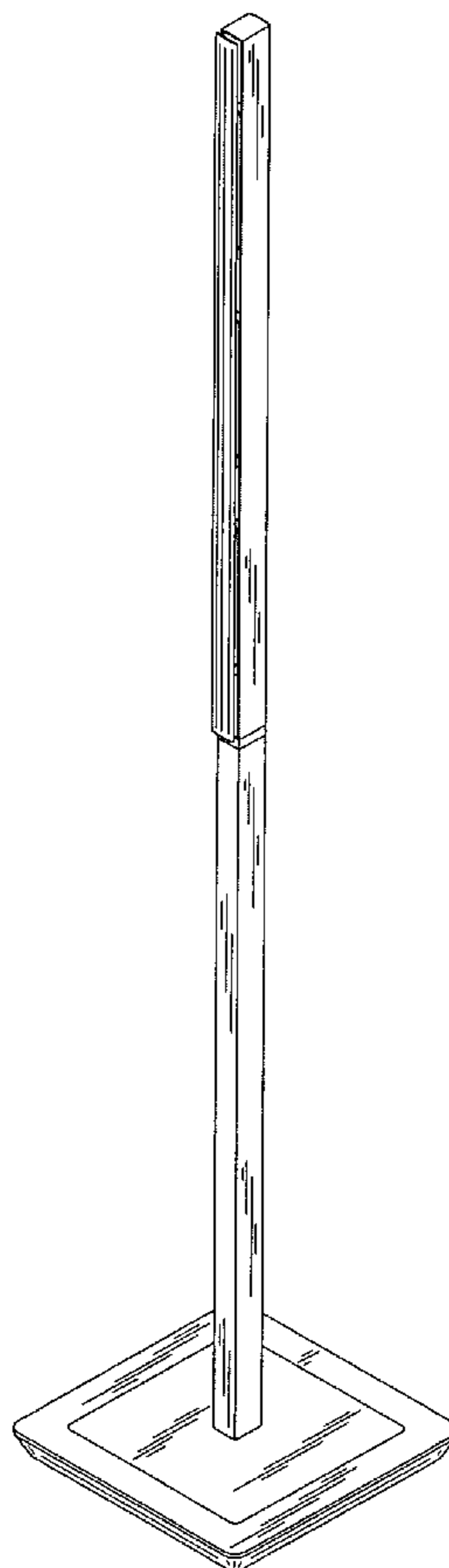


Fig. 1

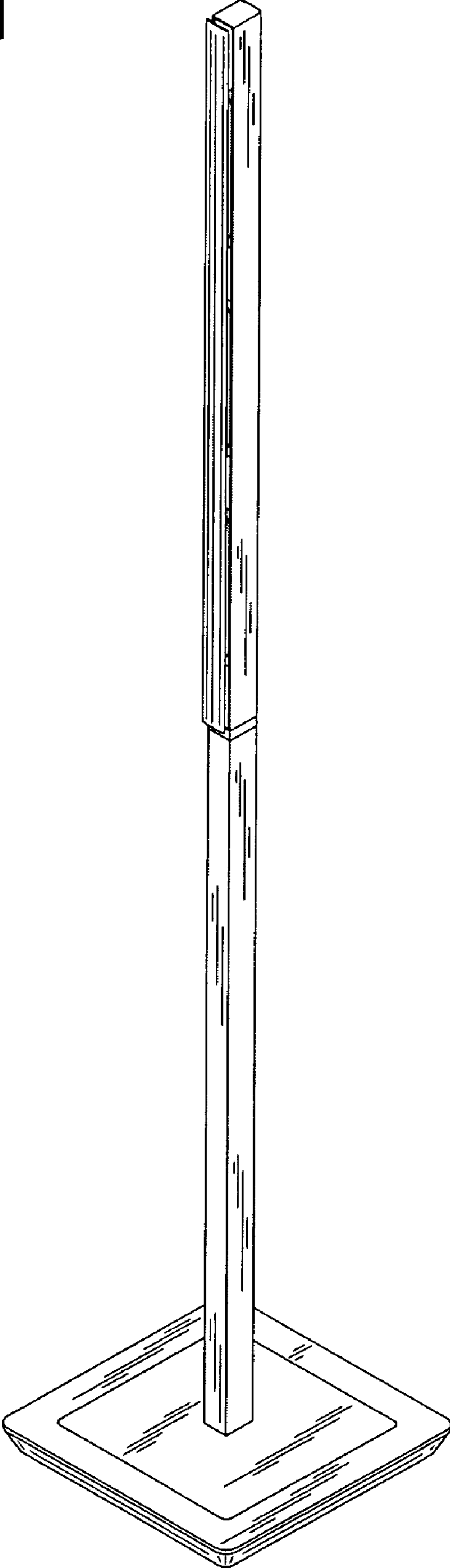


Fig.2

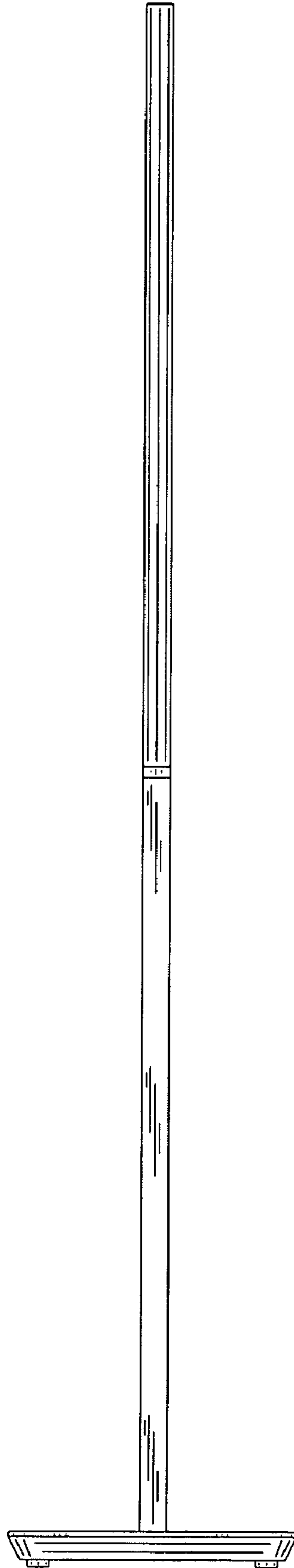


Fig.3

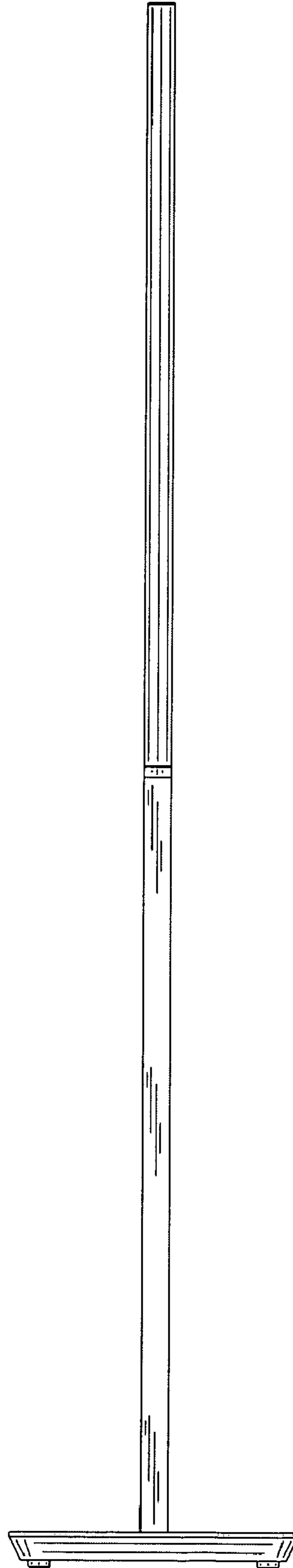


Fig.4

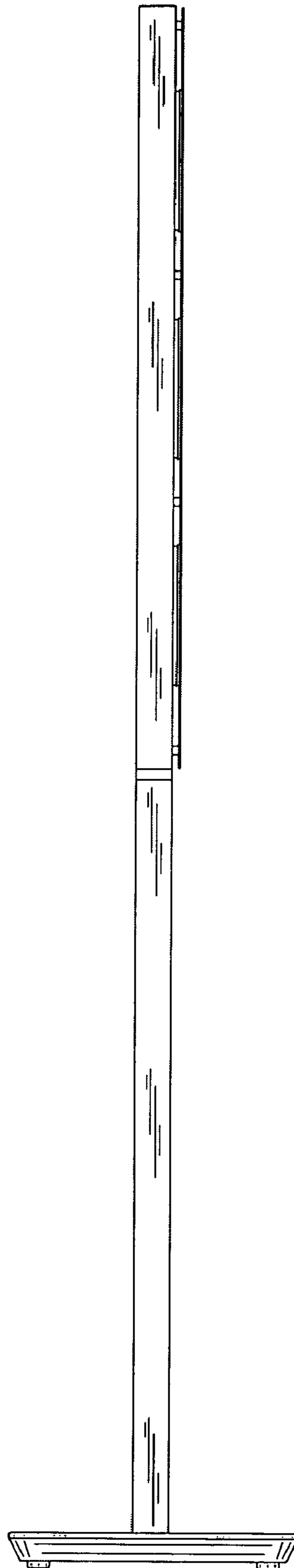


Fig.5

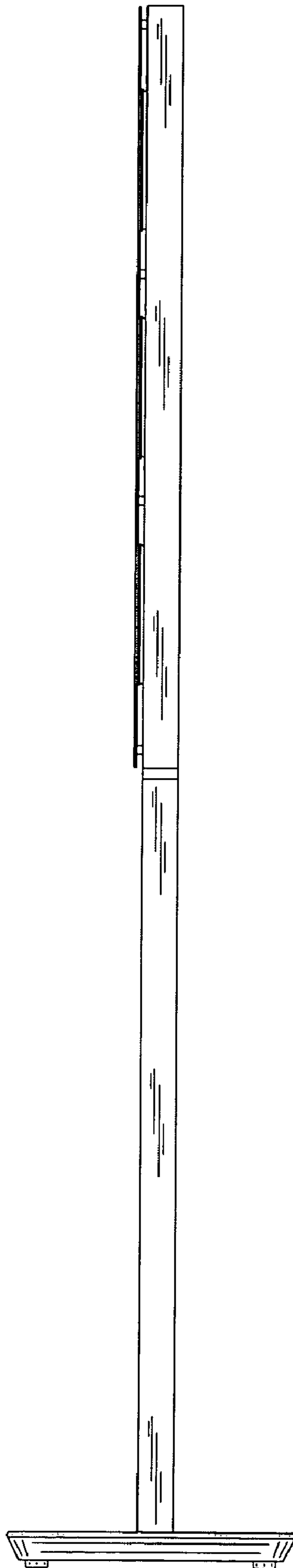


Fig. 6

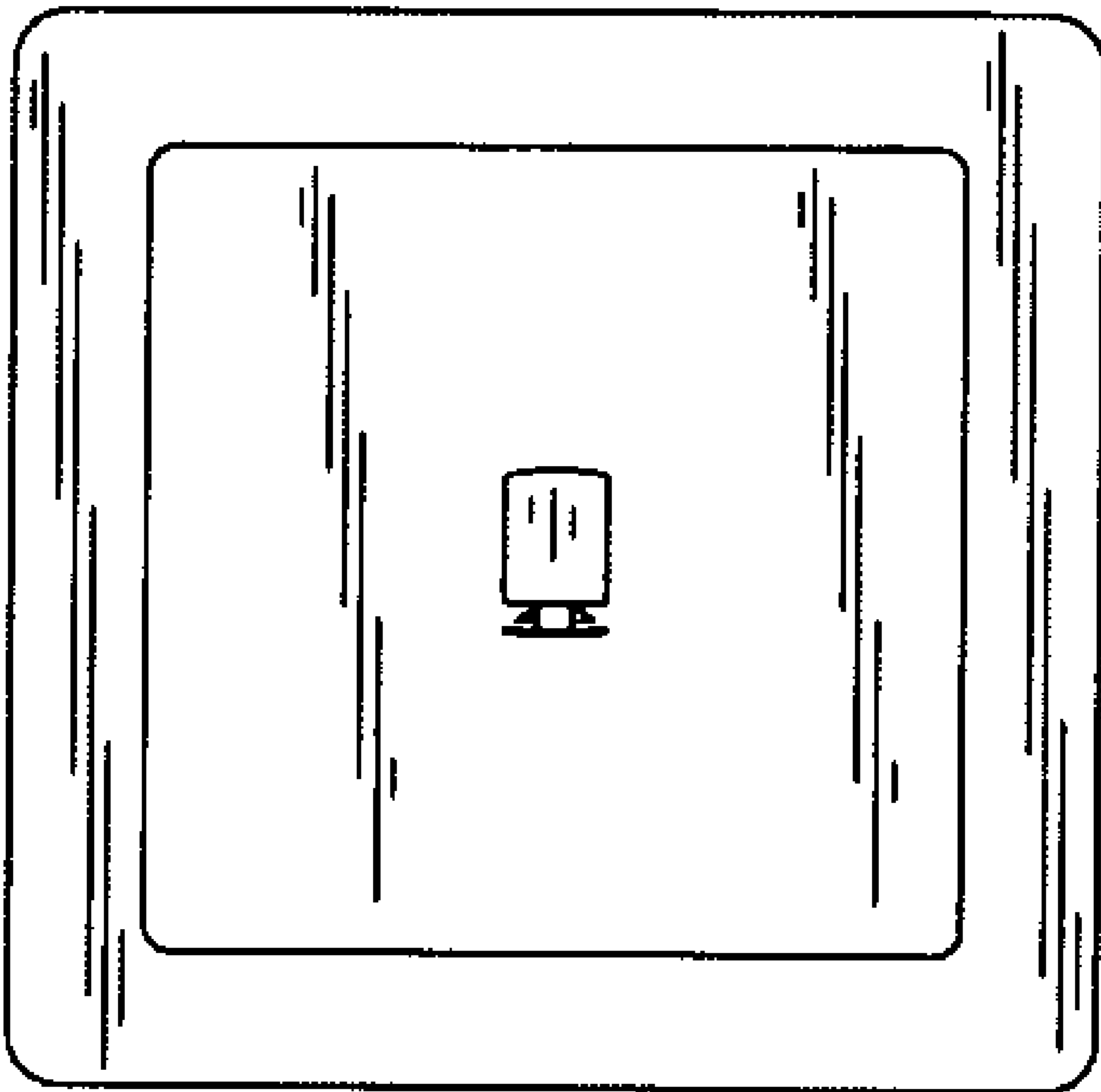


Fig. 7

