



US00D578090S

(12) **United States Design Patent**
Arai

(10) **Patent No.:** **US D578,090 S**
(45) **Date of Patent:** **** Oct. 7, 2008**

(54) **REAR PROJECTION TELEVISION RECEIVER**

D511,754 S * 11/2005 Hirano D14/128
D539,246 S * 3/2007 Fujiki D14/128
D545,786 S * 7/2007 Arai et al. D14/128

(75) Inventor: **Hiroyuki Arai**, Kanagawa (JP)

* cited by examiner

(73) Assignee: **Victor Company of Japan, Limited**,
Kanagawa (JP)

Primary Examiner—Raphael Barkai
(74) *Attorney, Agent, or Firm*—Osha • Liang LLP

(**) Term: **14 Years**

(57) **CLAIM**

(21) Appl. No.: **29/273,426**

The ornamental design for a rear projection television receiver, as shown and described.

(22) Filed: **Feb. 28, 2007**

(30) **Foreign Application Priority Data**

DESCRIPTION

Aug. 29, 2006 (JP) 2006-022808

FIG. 1 is a perspective view of the front, right and top of a rear projection television receiver showing my new design.

(51) **LOC (8) Cl.** **14-03**

FIG. 2 is a front view of the design according to the invention.

(52) **U.S. Cl.** **D14/128**

FIG. 3 is a right side view of the design according to the invention, a left side view being a mirror image thereof.

(58) **Field of Classification Search** D14/125-134,
D14/239, 371, 136, 374-377; 312/7.2; 348/836,
348/838, 180, 184, 325, 739; 341/12; 248/917-924,
248/465; 345/104, 133, 156, 168, 87, 173;
720/605, 669, 600, 655; 369/99, 197; 455/344-347
See application file for complete search history.

FIG. 4 is a top plan view of the design according to the invention.

(56) **References Cited**

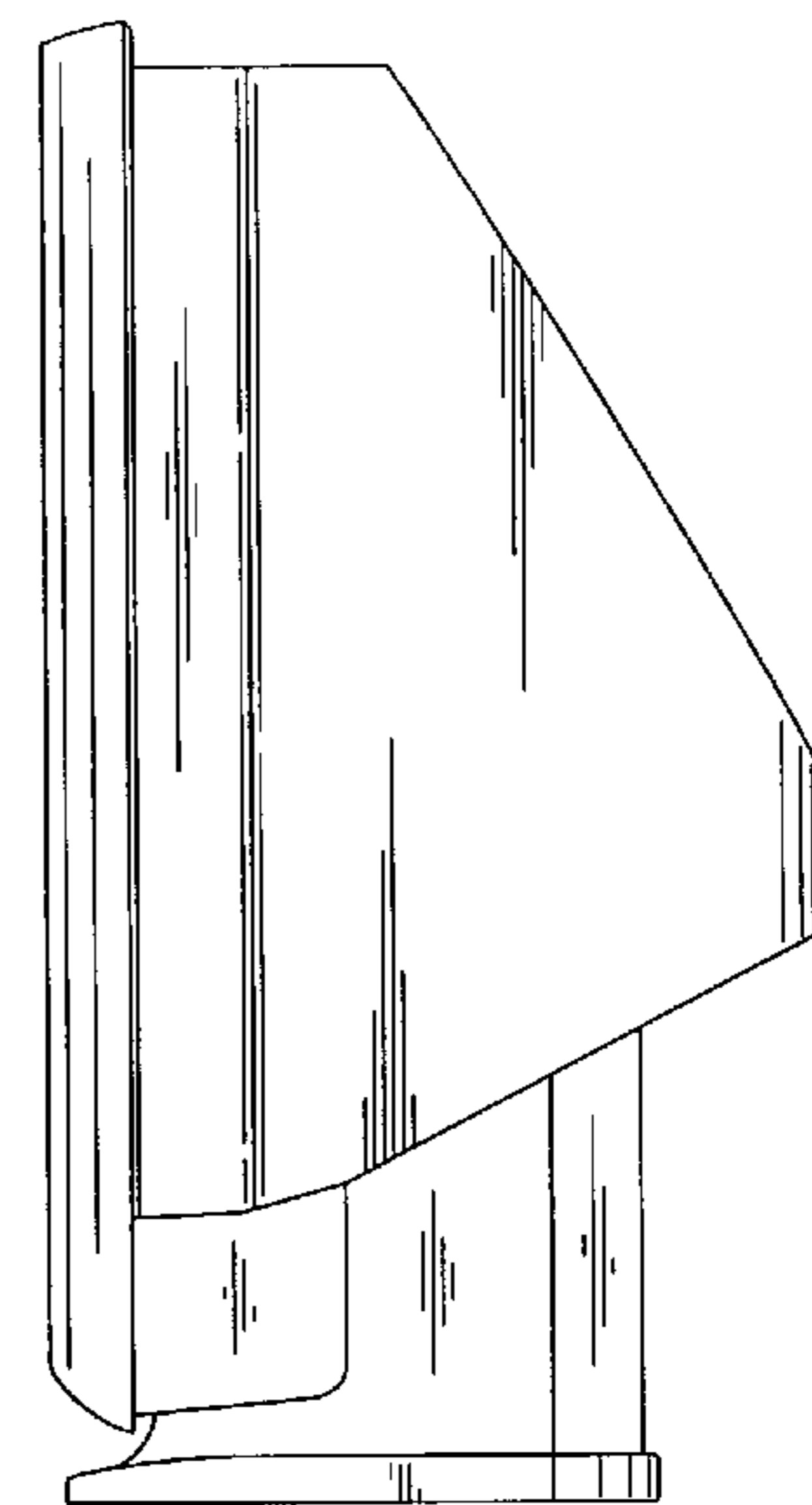
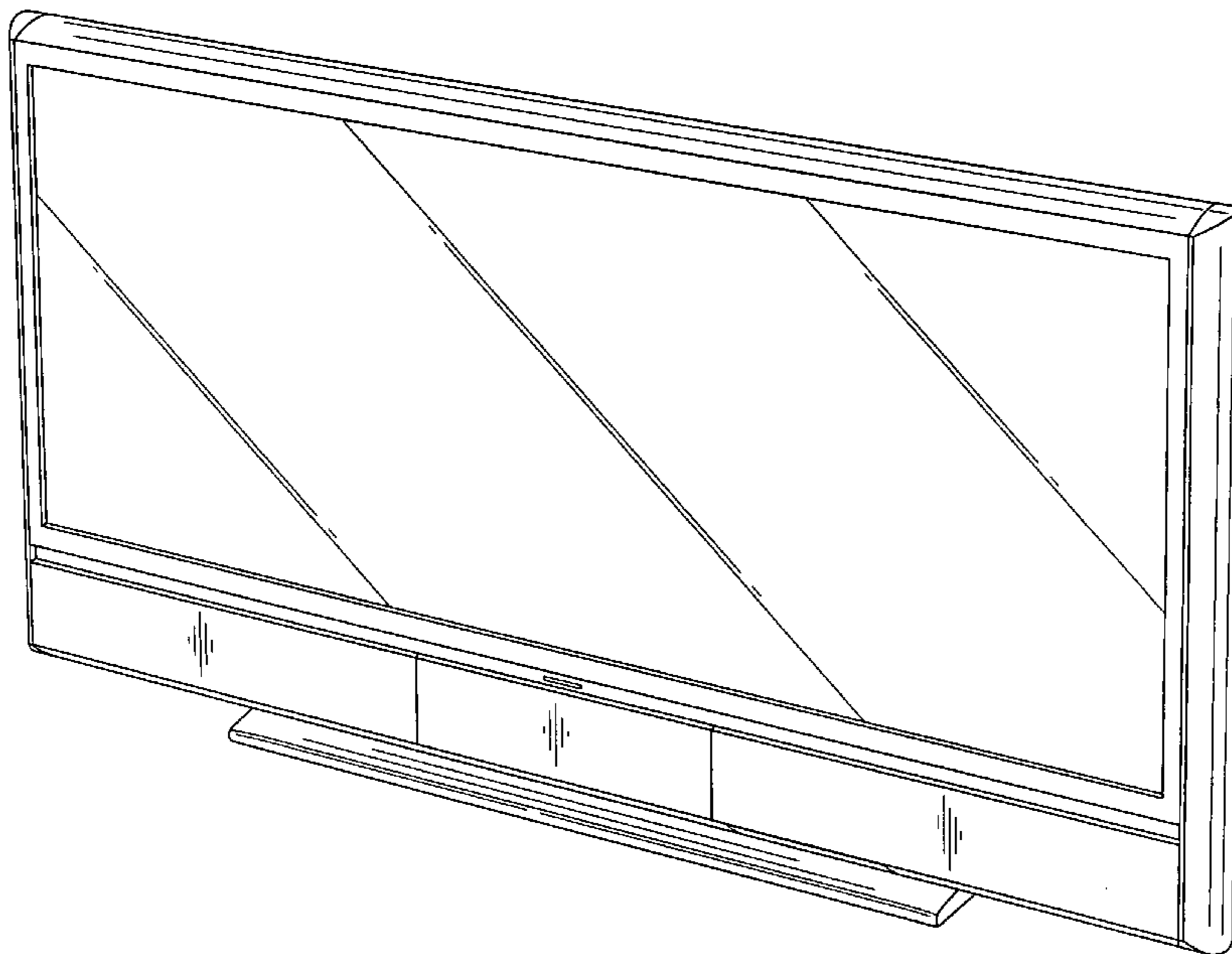
FIG. 5 is a rear view of the design according to the invention; and,

U.S. PATENT DOCUMENTS

FIG. 6 is a bottom view of the design according to the invention.

D483,020 S * 12/2003 Nagao et al. D14/126

1 Claim, 6 Drawing Sheets



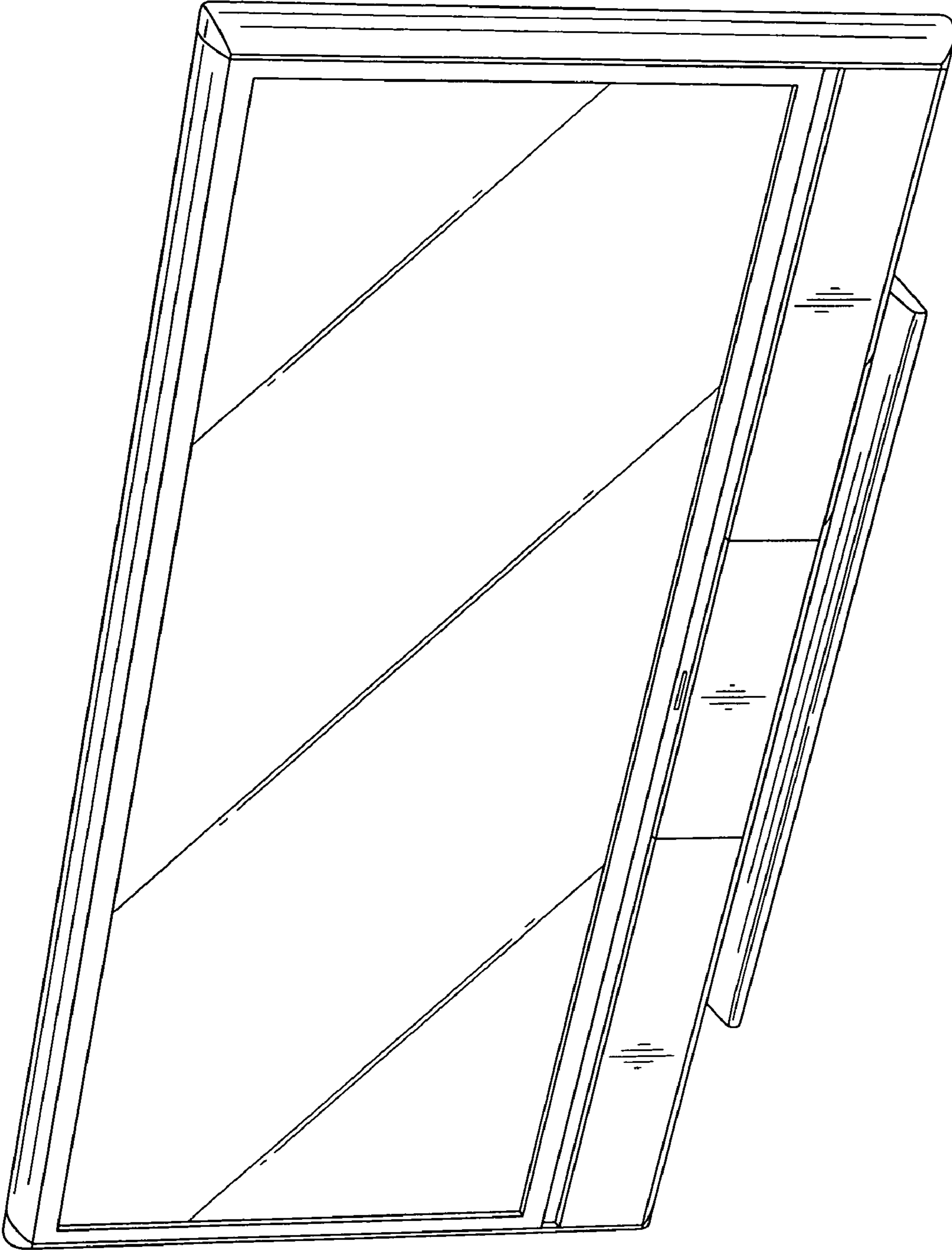


FIG. 1

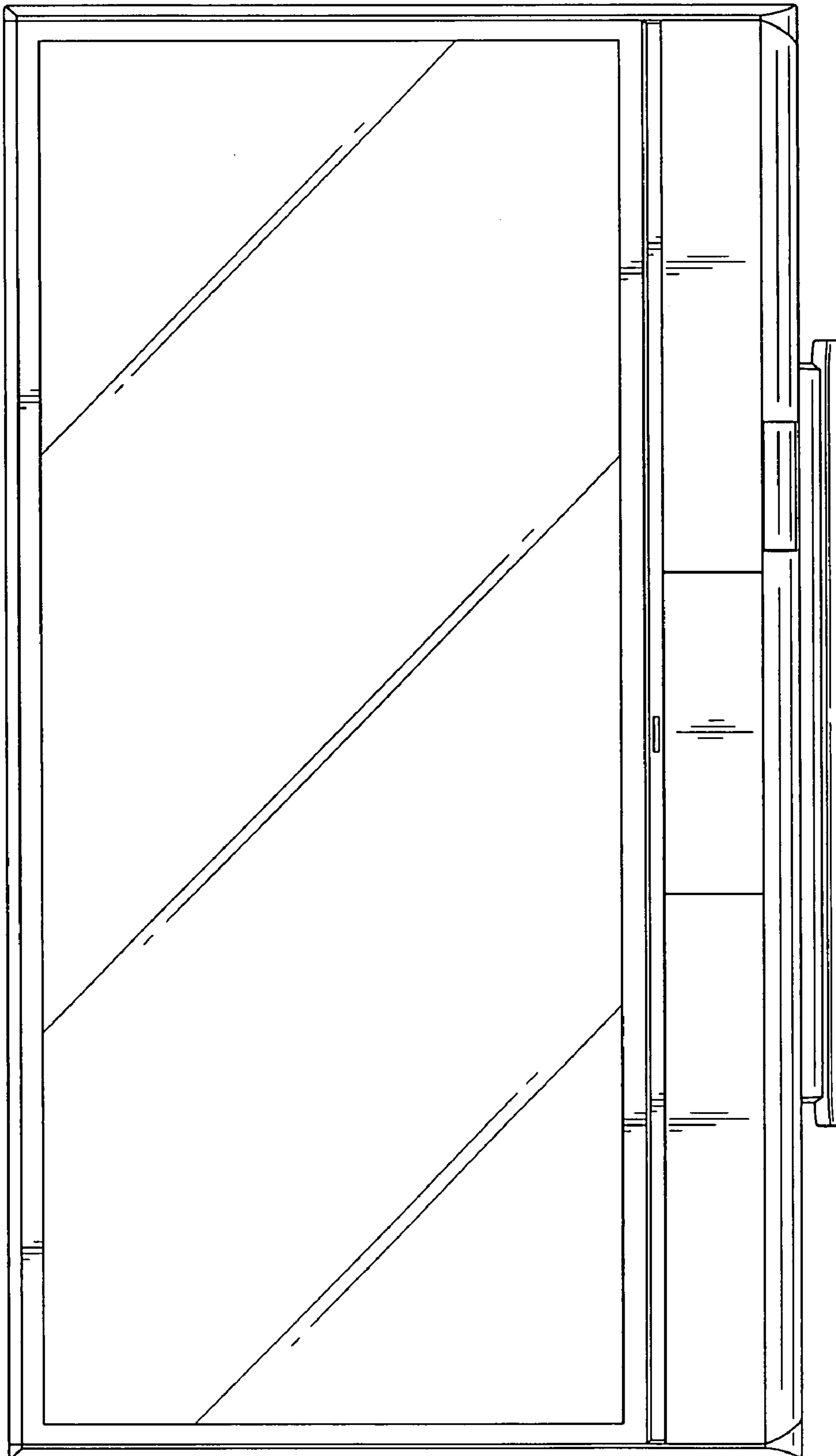


FIG. 2

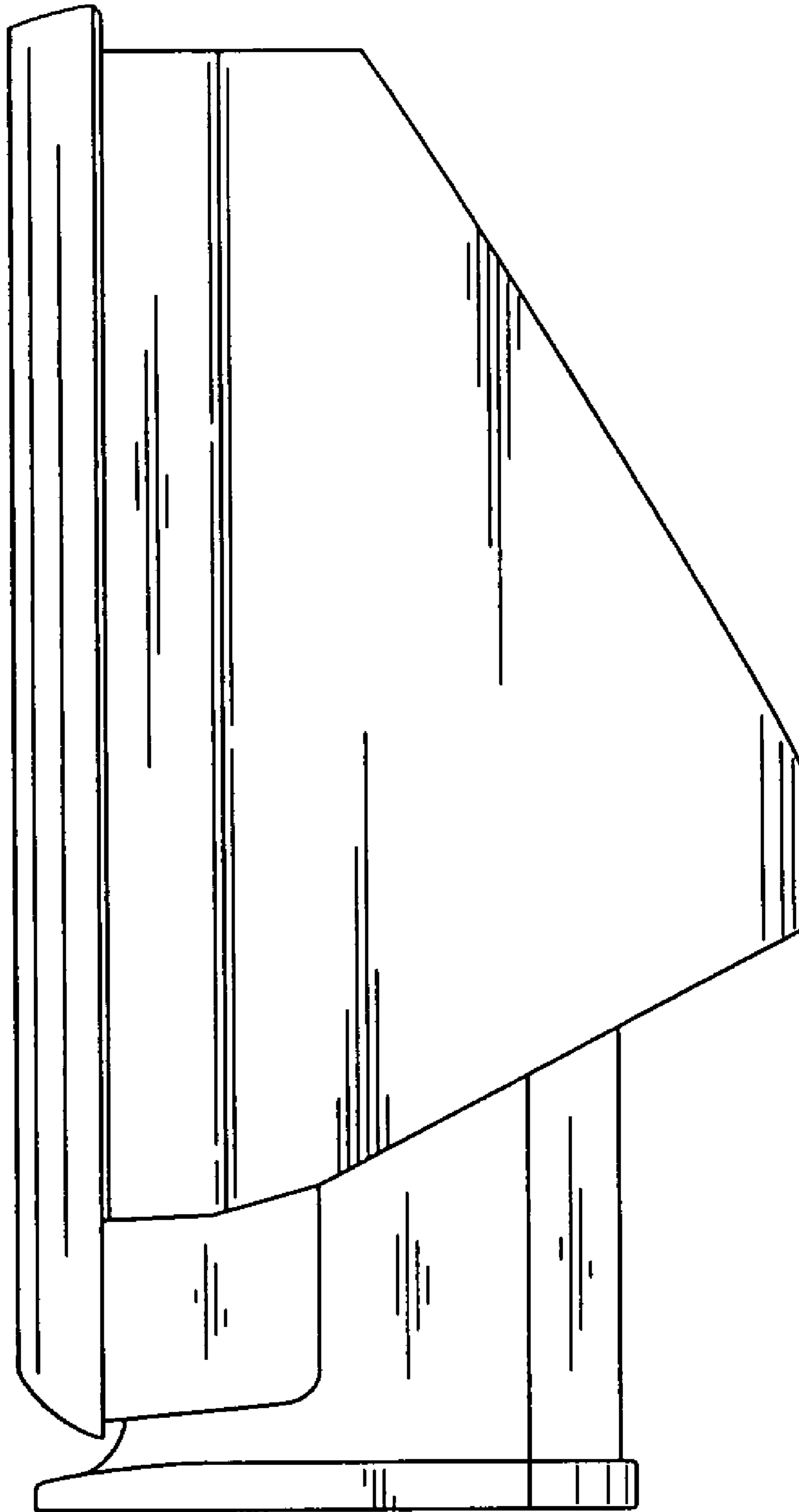


FIG. 3

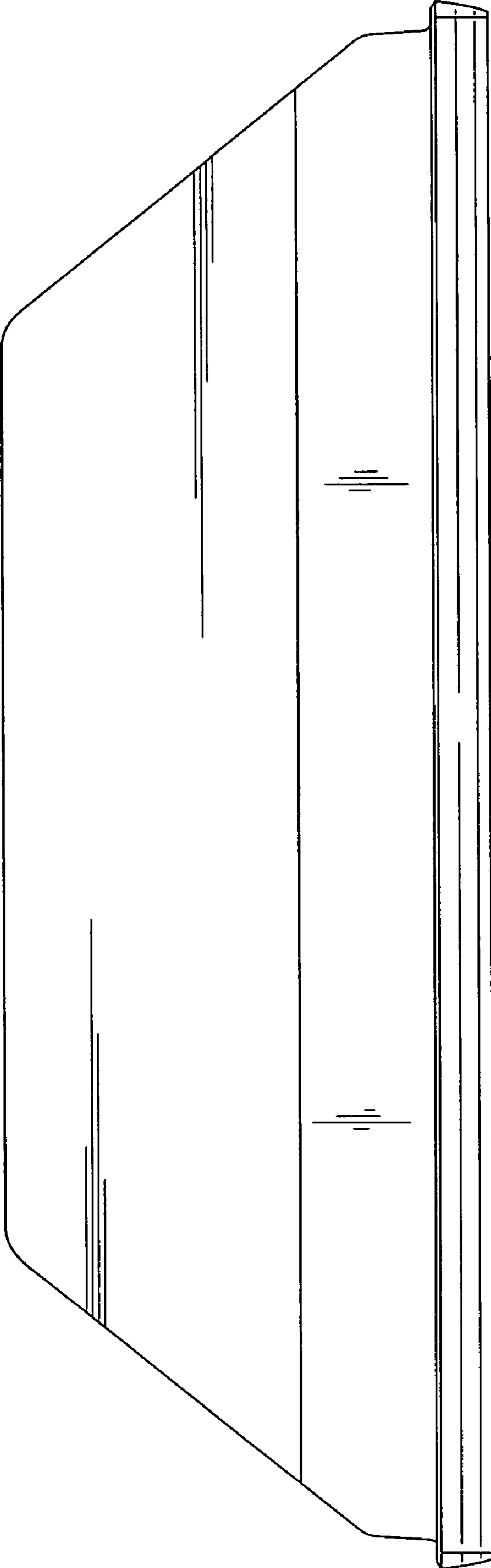


FIG. 4

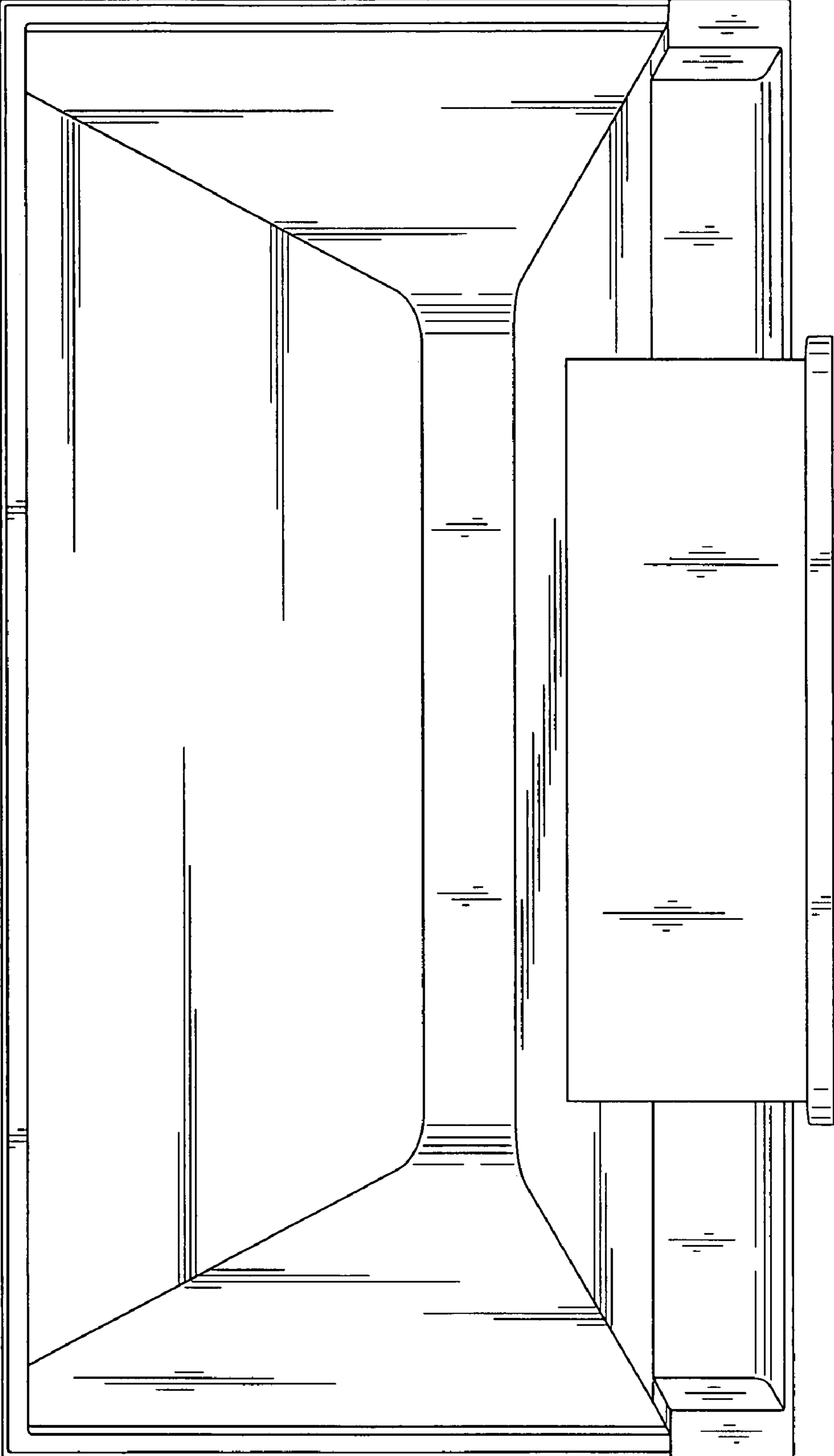


FIG. 5

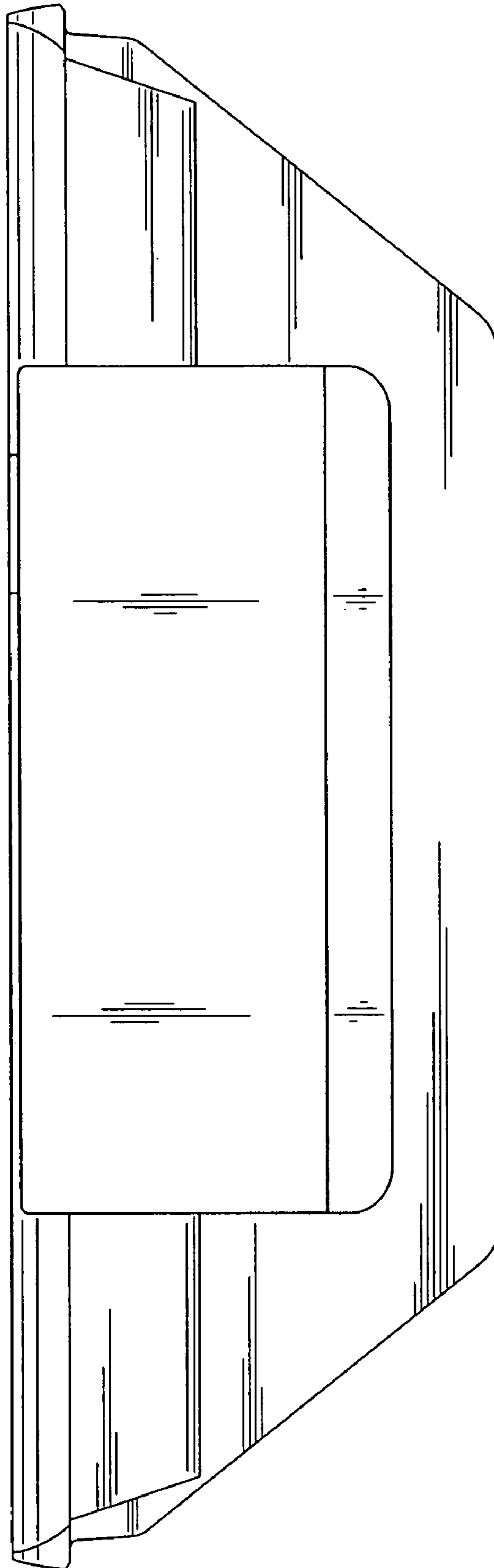


FIG. 6