



US00D578089S

(12) **United States Design Patent**
Lee

(10) **Patent No.:** **US D578,089 S**
(45) **Date of Patent:** **** Oct. 7, 2008**

(54) **TELEVISION SET**

(75) Inventor: **Chien-Kuo Lee**, Taoyuan (TW)

(73) Assignee: **Hannspree, Inc.**, Taipei (TW)

(**) Term: **14 Years**

(21) Appl. No.: **29/296,403**

(22) Filed: **Oct. 19, 2007**

(51) **LOC (8) Cl.** **14-03**

(52) **U.S. Cl.** **D14/126**

(58) **Field of Classification Search** D14/125-134,
D14/239, 371, 136, 374-377, 440, 450, 448,
D14/336, 342; 312/7.2; 348/836, 838, 180,
348/184, 325, 739; 341/12; 248/917-924,
248/465; 345/104, 133, 156, 168, 87, 173;
720/605, 669, 600, 655; 369/99, 197; 455/344,
455/347; D21/329, 515, 577, 622, 333, 433,
D21/448, 452, 450, 331; D6/477, 479; 273/148 B;
446/484, 175, 356; D10/15, 26
See application file for complete search history.

(56) **References Cited**

U.S. PATENT DOCUMENTS

D476,654 S * 7/2003 Zuege et al. D14/371
D518,802 S * 4/2006 Hoehn et al. D14/132
D520,968 S * 5/2006 Hoehn et al. D14/129

D521,474 S * 5/2006 Hoehn et al. D14/132
D525,950 S * 8/2006 Hoehn et al. D14/126
D531,968 S * 11/2006 Nakata D14/126
D533,152 S * 12/2006 Nakata D14/126
D541,769 S * 5/2007 Hoehn et al. D14/126
D547,738 S * 7/2007 Liang et al. D14/126

* cited by examiner

Primary Examiner—Raphael Barkai

(74) *Attorney, Agent, or Firm*—Hamre, Schumann, Mueller
& Larson, P.C.

(57) **CLAIM**

The ornamental design for a television set, as shown and described.

DESCRIPTION

FIG. 1 is a front perspective view of a television set in accordance with my invention thereof;

FIG. 2 is a front elevational view thereof;

FIG. 3 is a rear elevational view thereof;

FIG. 4 is a left side elevational view thereof;

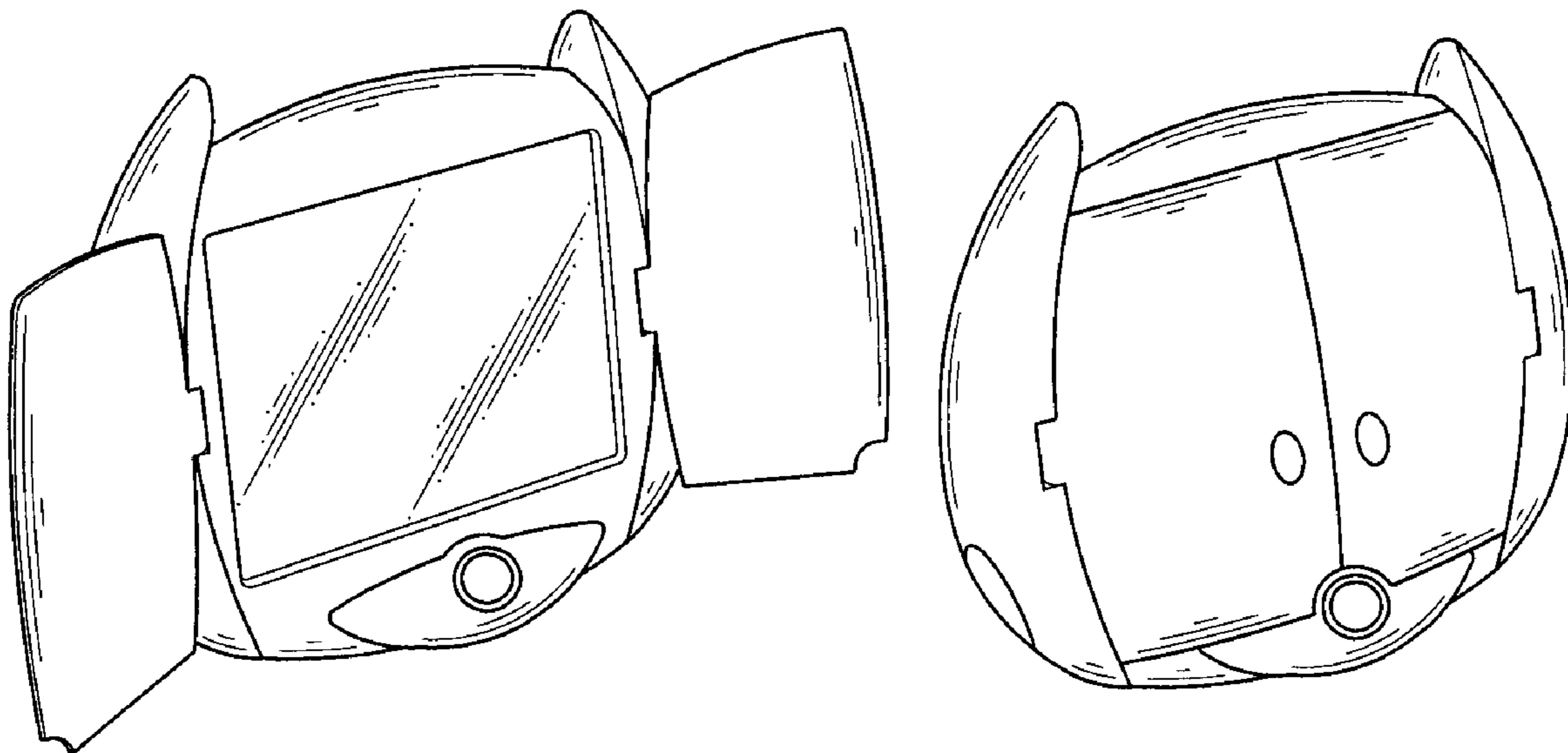
FIG. 5 is a right side elevational view thereof;

FIG. 6 is a top plan view thereof;

FIG. 7 is a bottom plan view thereof; and,

FIG. 8 is an alternative front perspective view thereof.

1 Claim, 8 Drawing Sheets



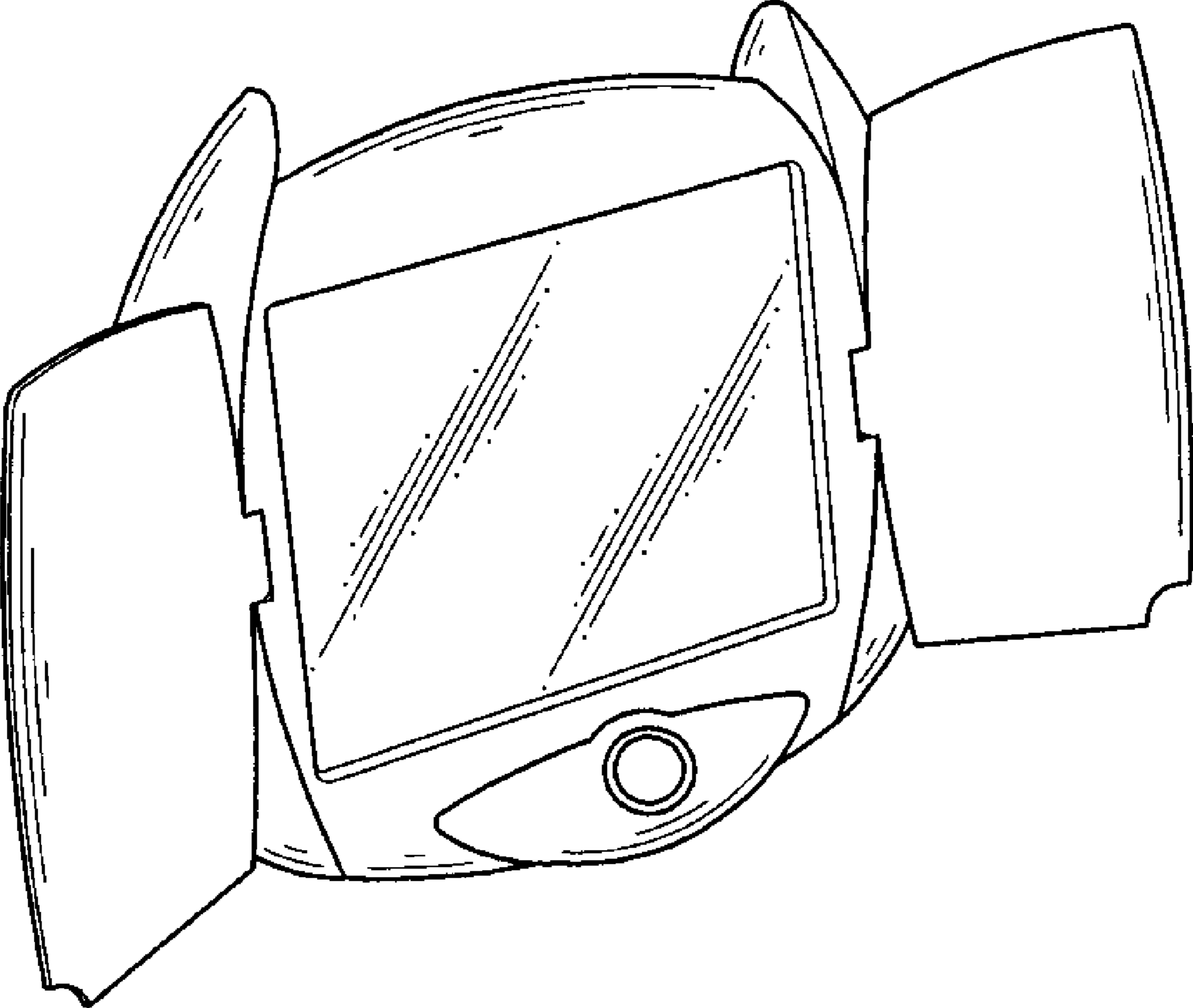


FIG. 1

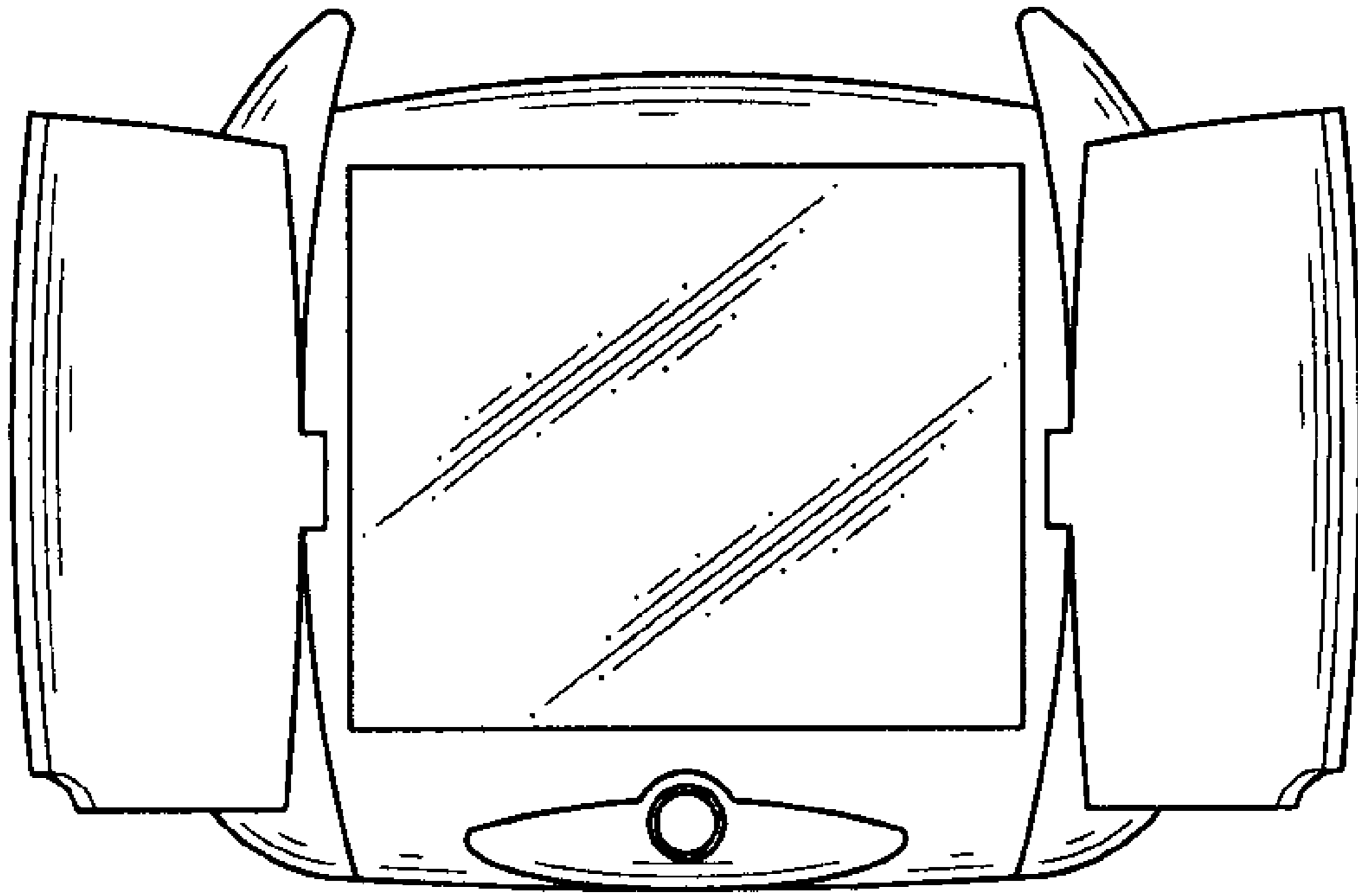


FIG. 2

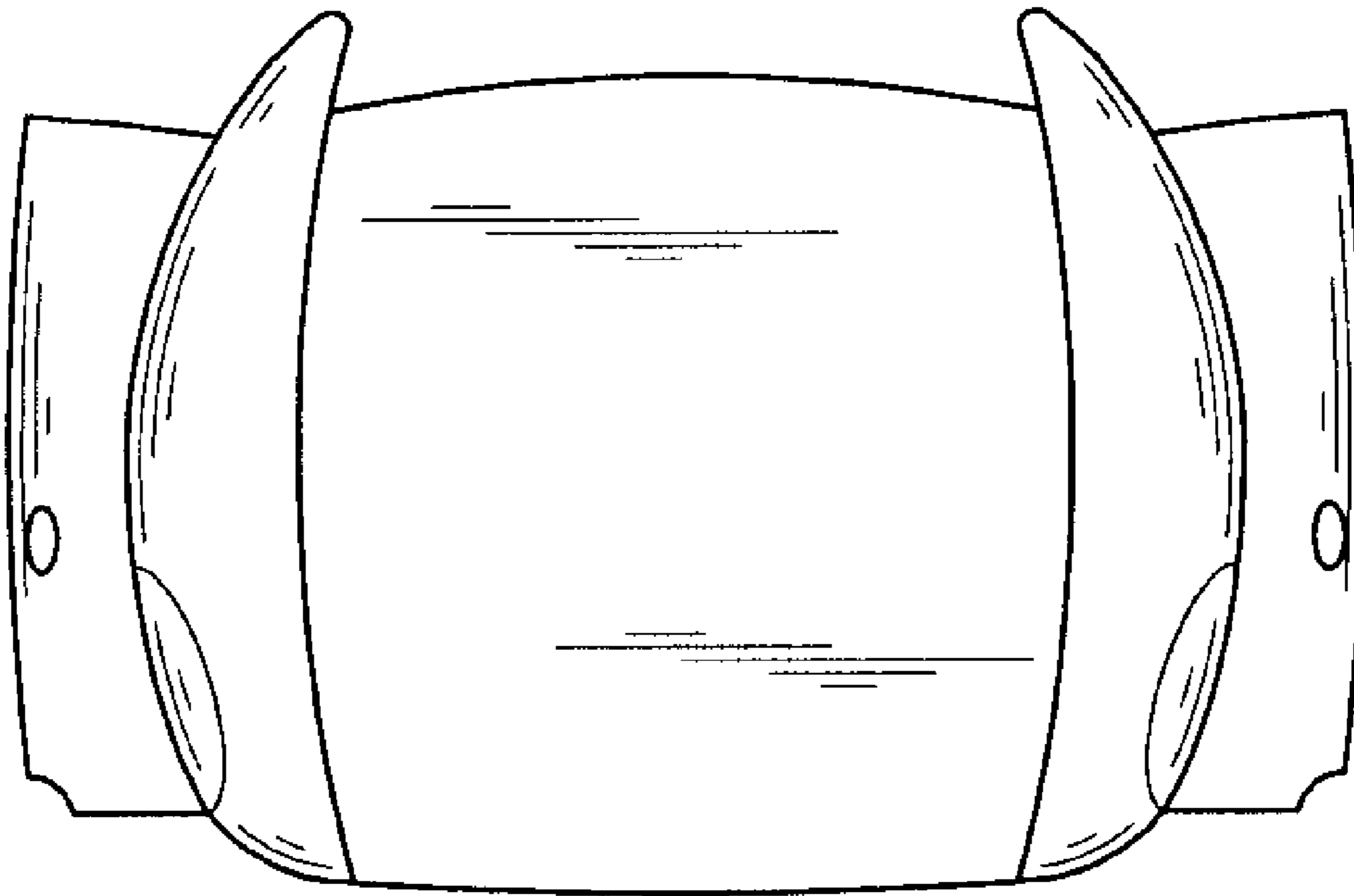


FIG. 3

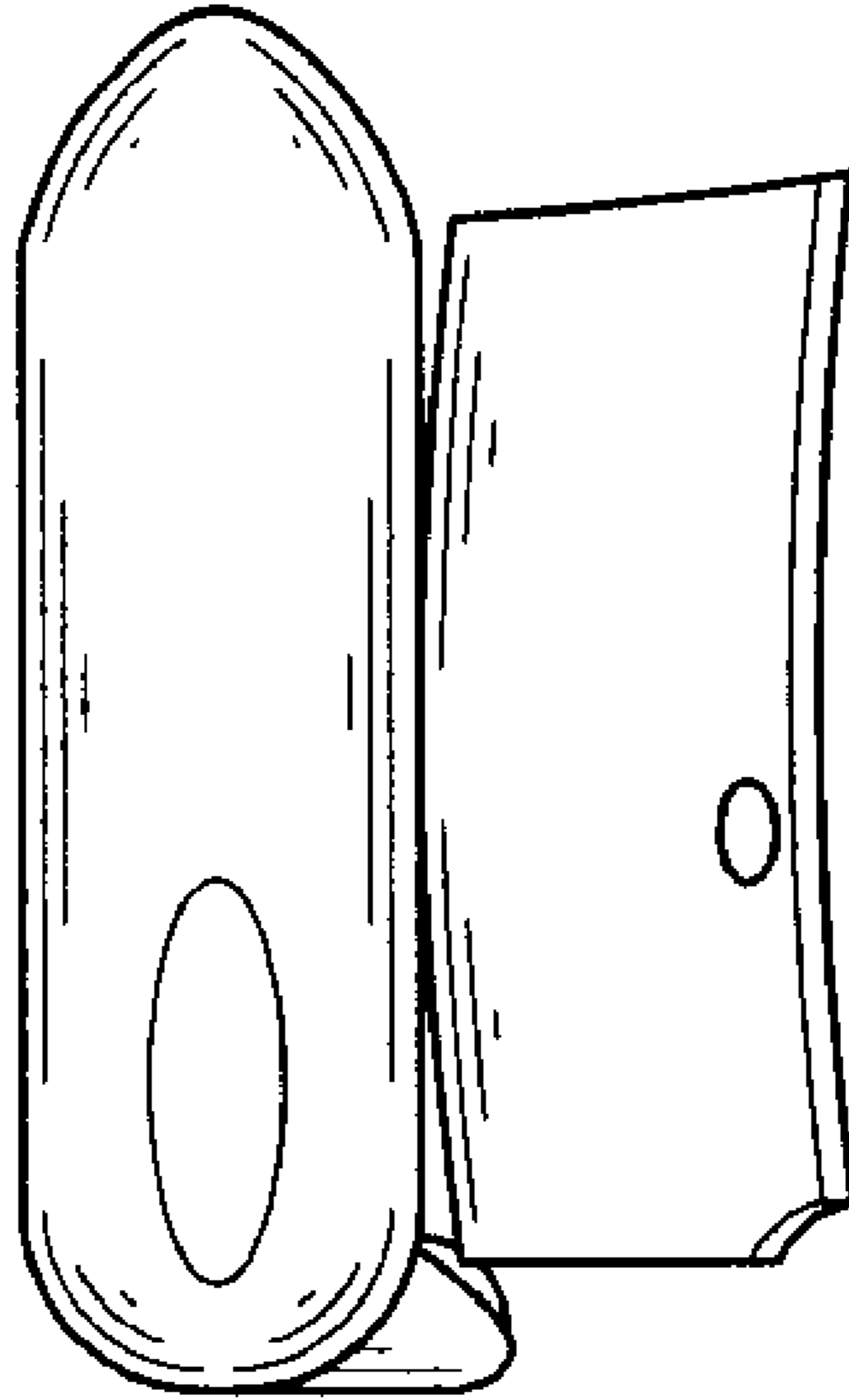


FIG. 4

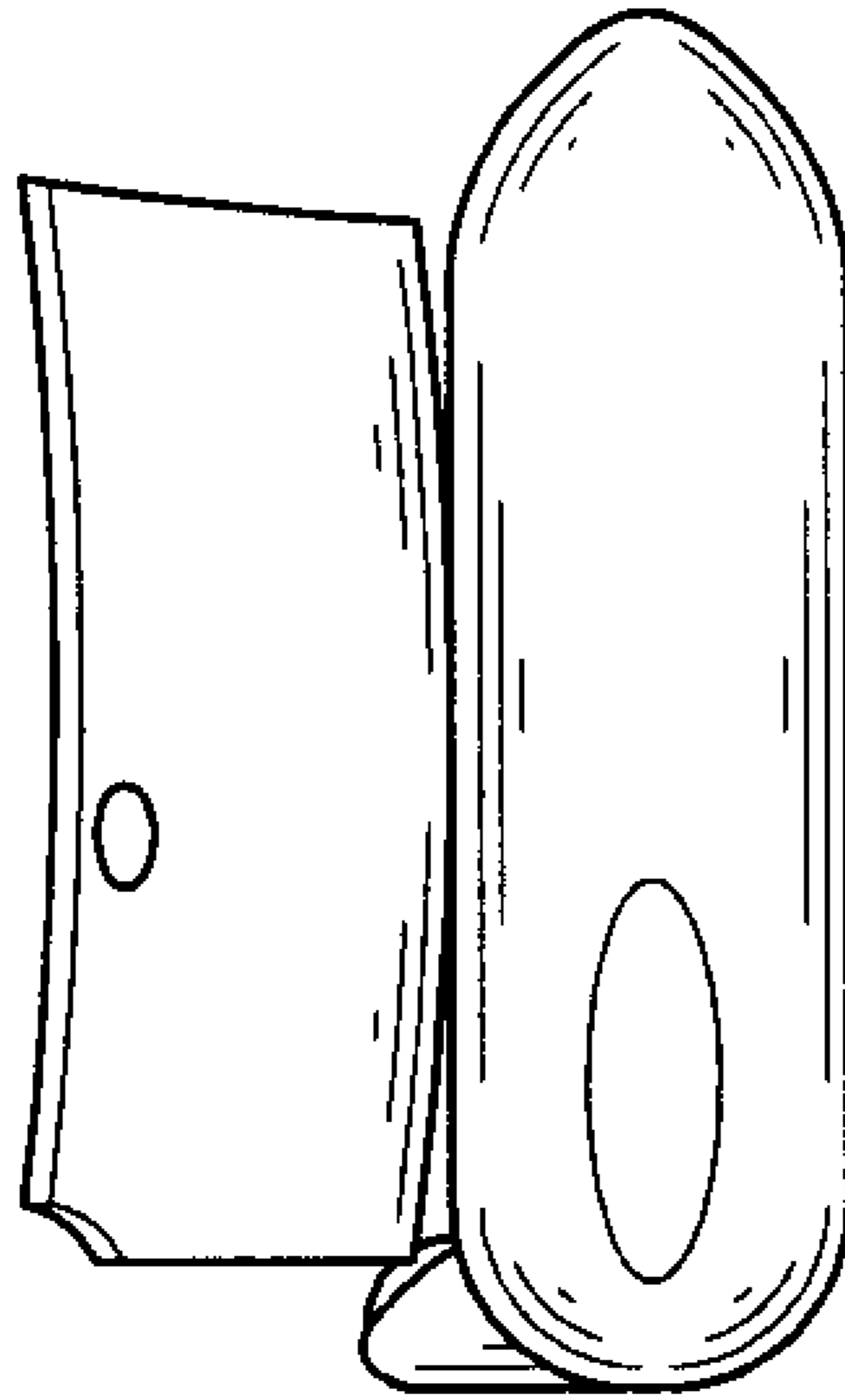


FIG. 5

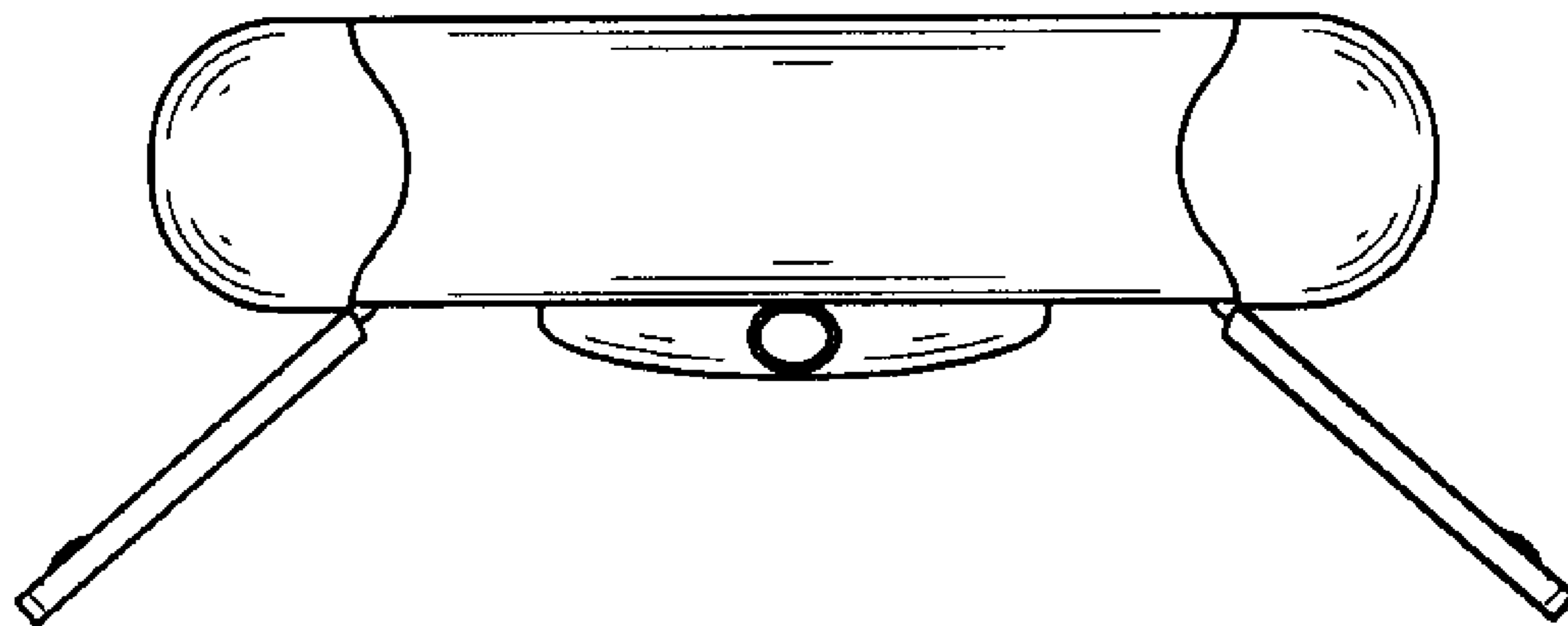


FIG. 6

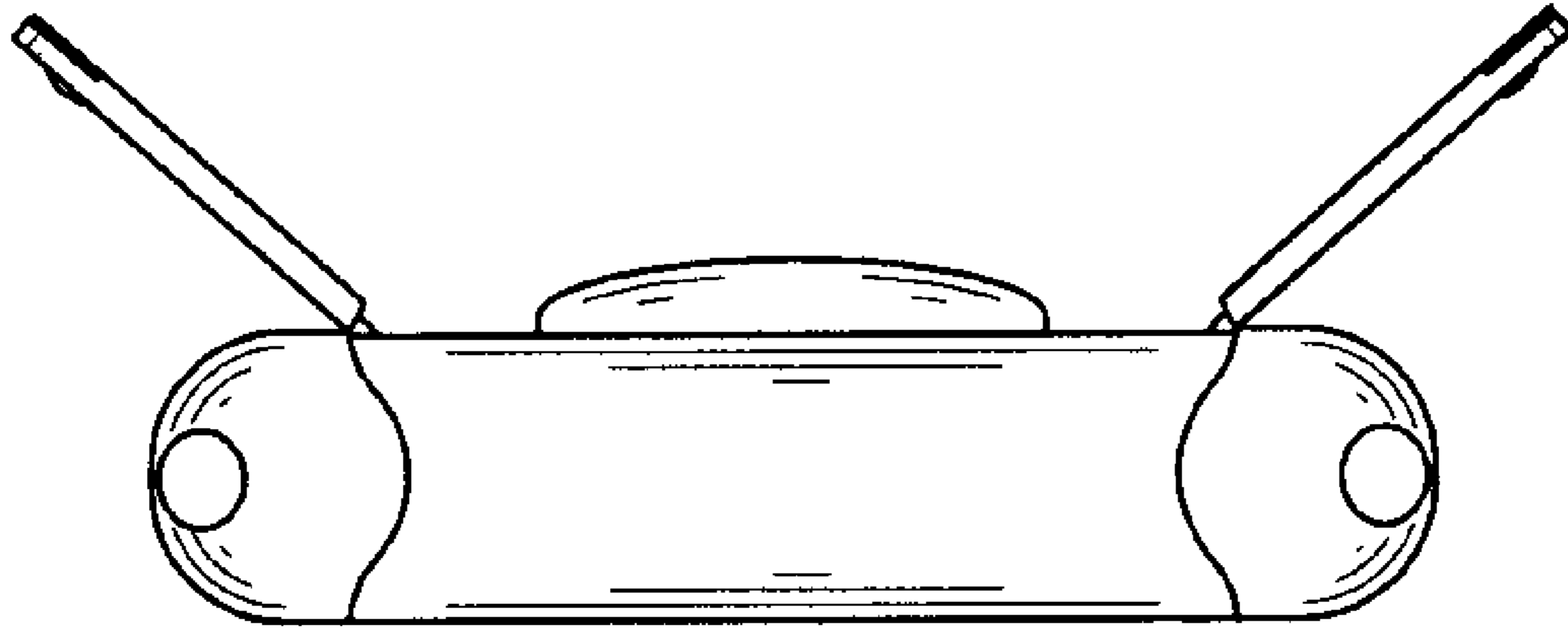


FIG. 7

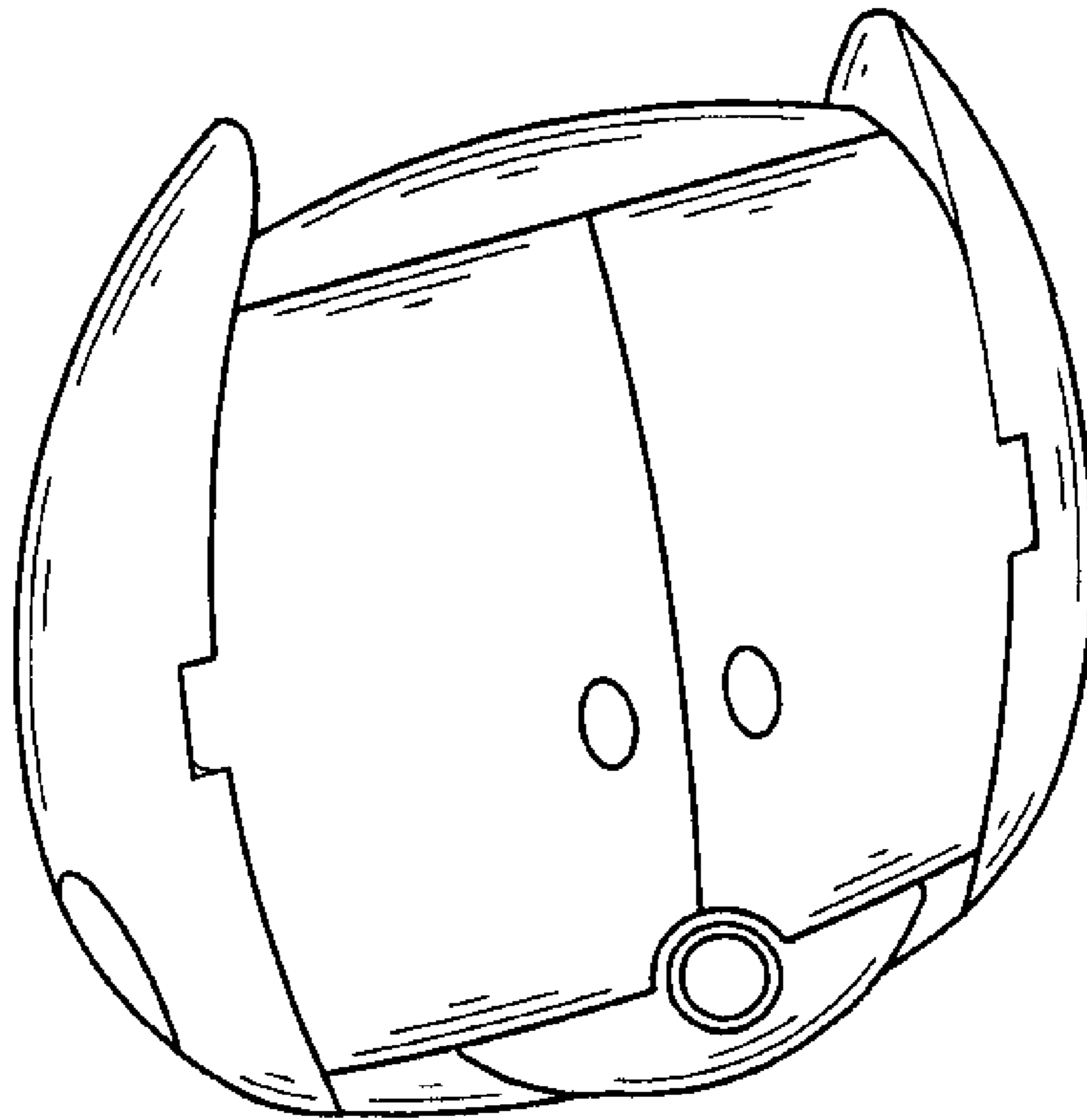


FIG. 8