

US00D578085S

(12) **United States Design Patent**
Iijima

(10) **Patent No.:** **US D578,085 S**

(45) **Date of Patent:** **** Oct. 7, 2008**

(54) **TELEVISION RECEIVER**

D549,690 S * 8/2007 Kimura D14/211
D550,176 S * 9/2007 Asanuma et al. D14/126

(75) Inventor: **Yoshimune Iijima**, Tokyo (JP)

* cited by examiner

(73) Assignee: **Sony Corporation**, Tokyo (JP)

Primary Examiner—Raphael Barkai

(**) Term: **14 Years**

Assistant Examiner—Randall H Gholson

(21) Appl. No.: **29/260,983**

(74) *Attorney, Agent, or Firm*—Rader, Fishman & Grauer, PLLC

(22) Filed: **Jun. 6, 2006**

(57) **CLAIM**

(30) **Foreign Application Priority Data**

The ornamental design for a television receiver, as shown and described.

Mar. 10, 2006 (JP) 2006-006173

DESCRIPTION

(51) **LOC (8) Cl.** **14-03**

FIG. 1 is a perspective view of a television receiver showing my new design;

(52) **U.S. Cl.** **D14/126**

FIG. 2 is a front elevational view thereof;

(58) **Field of Classification Search** D14/125–134,
D14/239, 379, 371, 374, 375, 376, 113; D13/151,
D13/153; 312/7.2; 348/836, 838, 180, 184,
348/325, 739; 341/12; 248/917–924; 345/104,
345/133, 156, 168, 87, 173; 349/1, 2, 11,
349/62

FIG. 3 is a left side elevational view thereof;

FIG. 4 is a right side elevational view thereof;

FIG. 5 is a top plan view thereof; and

FIG. 6 is a bottom plan view thereof.

See application file for complete search history.

Portions of FIGS. 1–6 that are shown as broken lines are for illustrative purpose only and form no part of the claimed design; and,

(56) **References Cited**

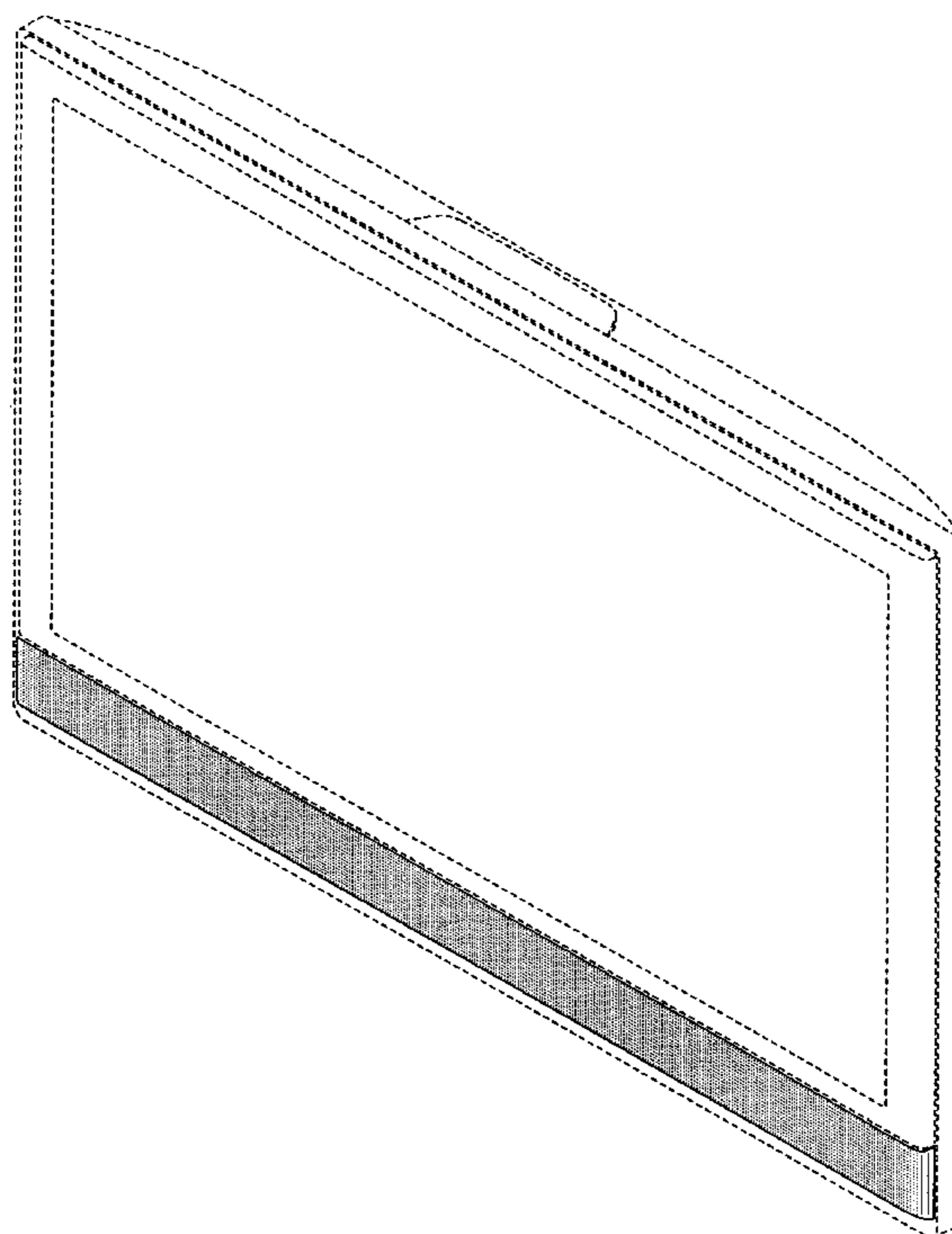
U.S. PATENT DOCUMENTS

D472,532 S * 4/2003 Niitsu D14/126
D486,803 S 2/2004 Fujiki et al.
D501,186 S * 1/2005 Kita D14/126
D511,339 S * 11/2005 Tsuge D14/214
D541,237 S * 4/2007 Kita D14/126
D543,163 S * 5/2007 Yang et al. D14/126
D547,748 S * 7/2007 Tsuge D14/211

FIG. 7 is a reference rear elevational view of the television receiver.

FIG. 7 is for illustrative purposes only and form no part of the claimed design.

1 Claim, 7 Drawing Sheets



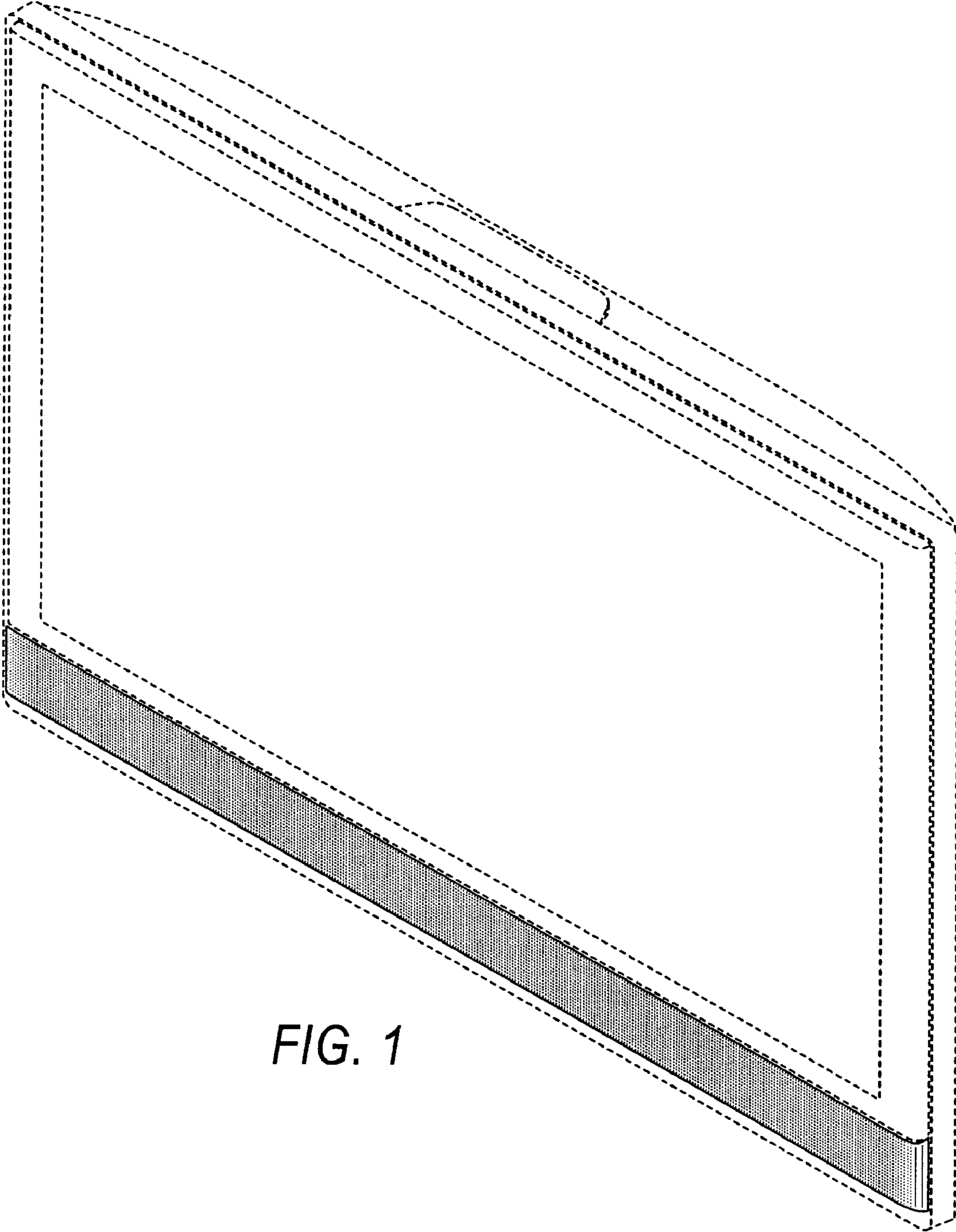


FIG. 1

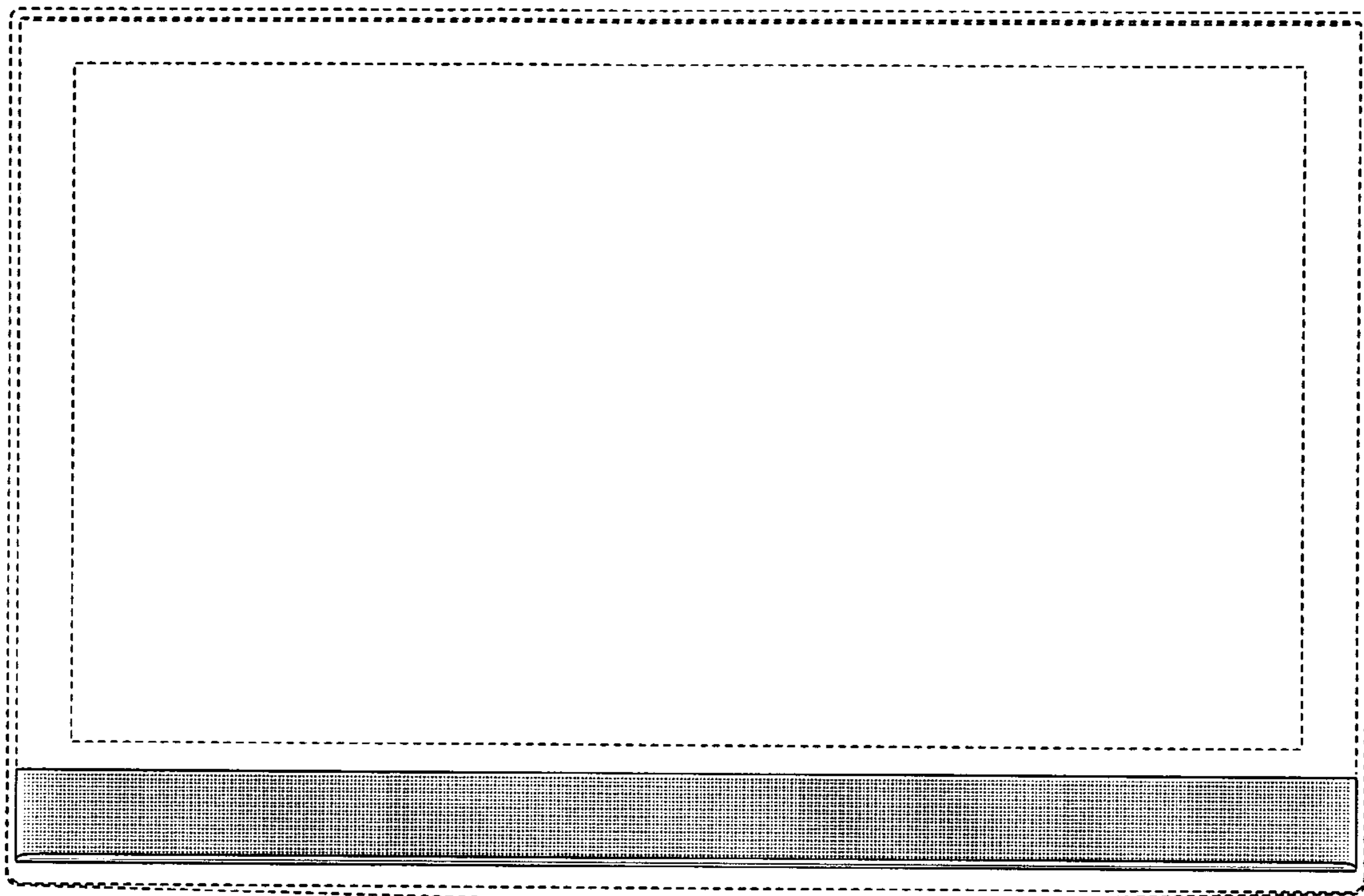


FIG. 2

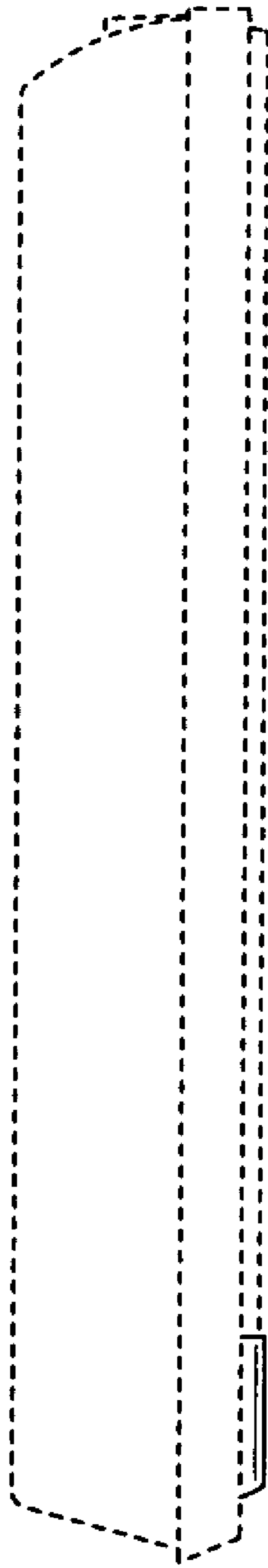


FIG. 3

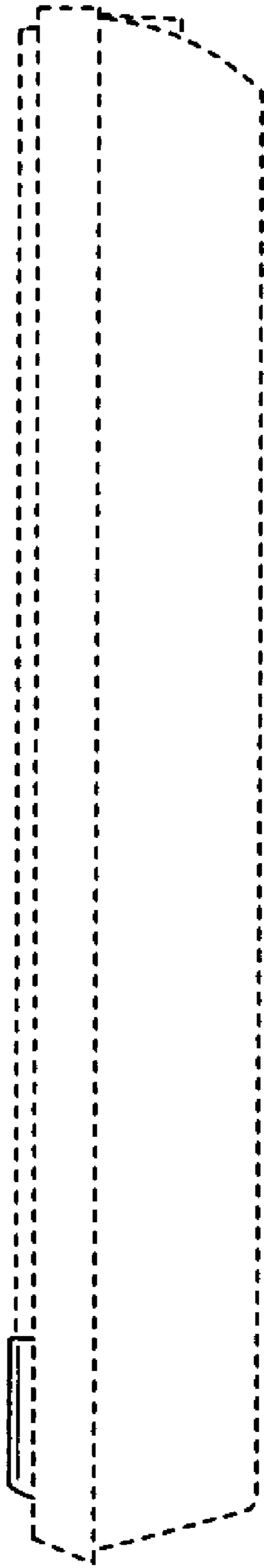


FIG. 4

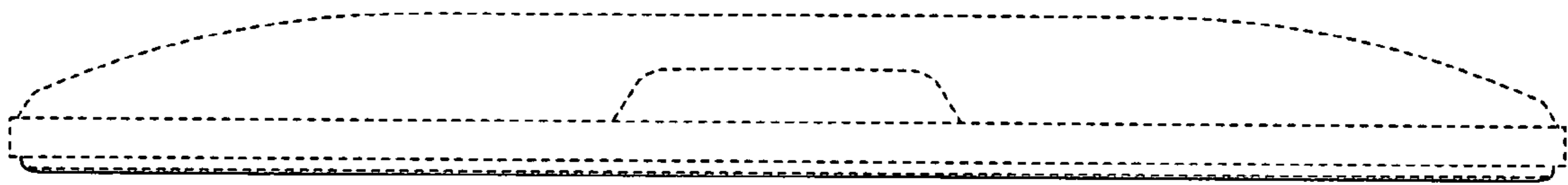


FIG. 5

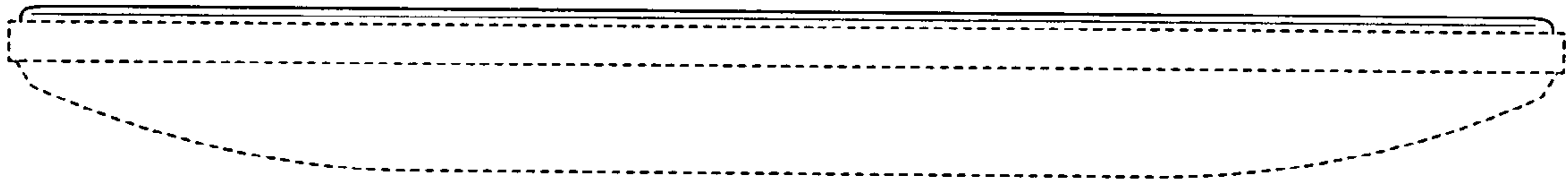


FIG. 6

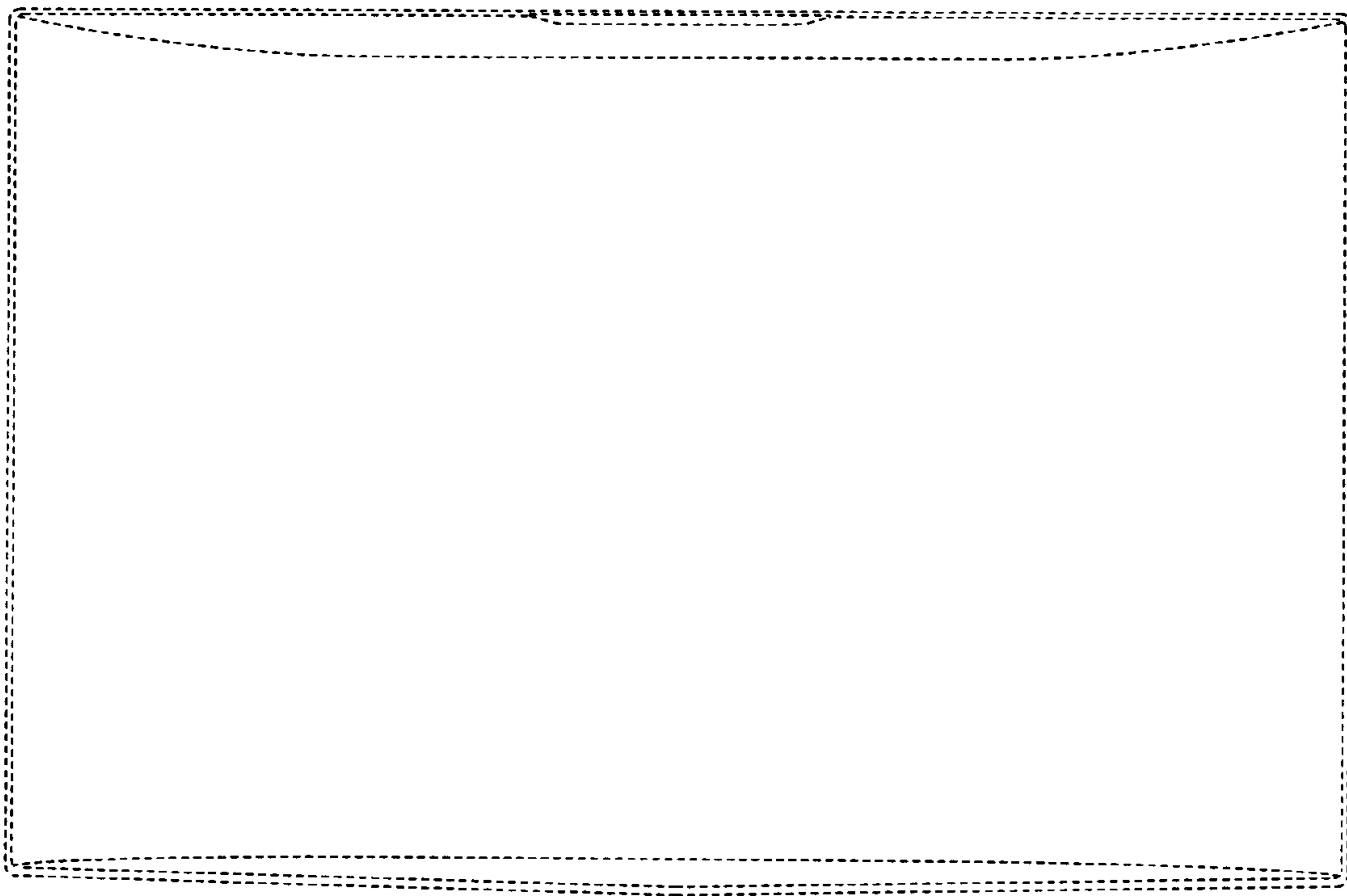


FIG. 7