



US00D578079S

(12) **United States Design Patent**
Huang et al.

(10) **Patent No.:** **US D578,079 S**

(45) **Date of Patent:** **** Oct. 7, 2008**

(54) **REMOTE CONTROL DEVICE**

(75) Inventors: **Chung Chin Huang**, Taichung (TW);
Hsin Ming Huang, Taichung (TW);
Chin Ying Huang, Taichung (TW);
Hsing Hsiung Huang, Taichung (TW);
Chung Sheng Yen, Taichung (TW);
Kuan Chou Lin, Taichung (TW)

(73) Assignee: **Grand Mate Co., Ltd.**, Taichung (TW)

(**) Term: **14 Years**

(21) Appl. No.: **29/293,403**

(22) Filed: **Nov. 21, 2007**

(51) **LOC (8) Cl.** **13-03**

(52) **U.S. Cl.** **D13/168**

(58) **Field of Classification Search** D13/168;
D10/104, 106; D14/218, 247; 340/825.22,
340/825.24, 825.25, 825.31, 825.36, 825.69,
340/825.72; 341/20, 22, 23, 34, 176; 345/156,
345/158, 169; 348/734; 455/92, 95, 100,
455/128, 151.1–151.4, 352–355; 463/39;
700/17, 19, 20, 65, 83

See application file for complete search history.

(56) **References Cited**

U.S. PATENT DOCUMENTS

D383,134 S * 9/1997 Patton D14/218

5,894,278 A * 4/1999 Kubo et al. 340/825.72
D417,673 S * 12/1999 Choi D14/248
D500,015 S * 12/2004 Gubbe D13/168
D523,768 S * 6/2006 Kaufman et al. D10/104
D548,703 S * 8/2007 Vendramini D13/168

* cited by examiner

Primary Examiner—Selina Sikder

(74) *Attorney, Agent, or Firm*—Charles E. Baxley

(57) **CLAIM**

The ornamental design for a remote control device, as shown and described.

DESCRIPTION

FIG. 1 is an upper perspective view of a remote control device showing my new design;

FIG. 2 is a front elevational view thereof;

FIG. 3 is a rear elevational view thereof;

FIG. 4 is a top plan view thereof;

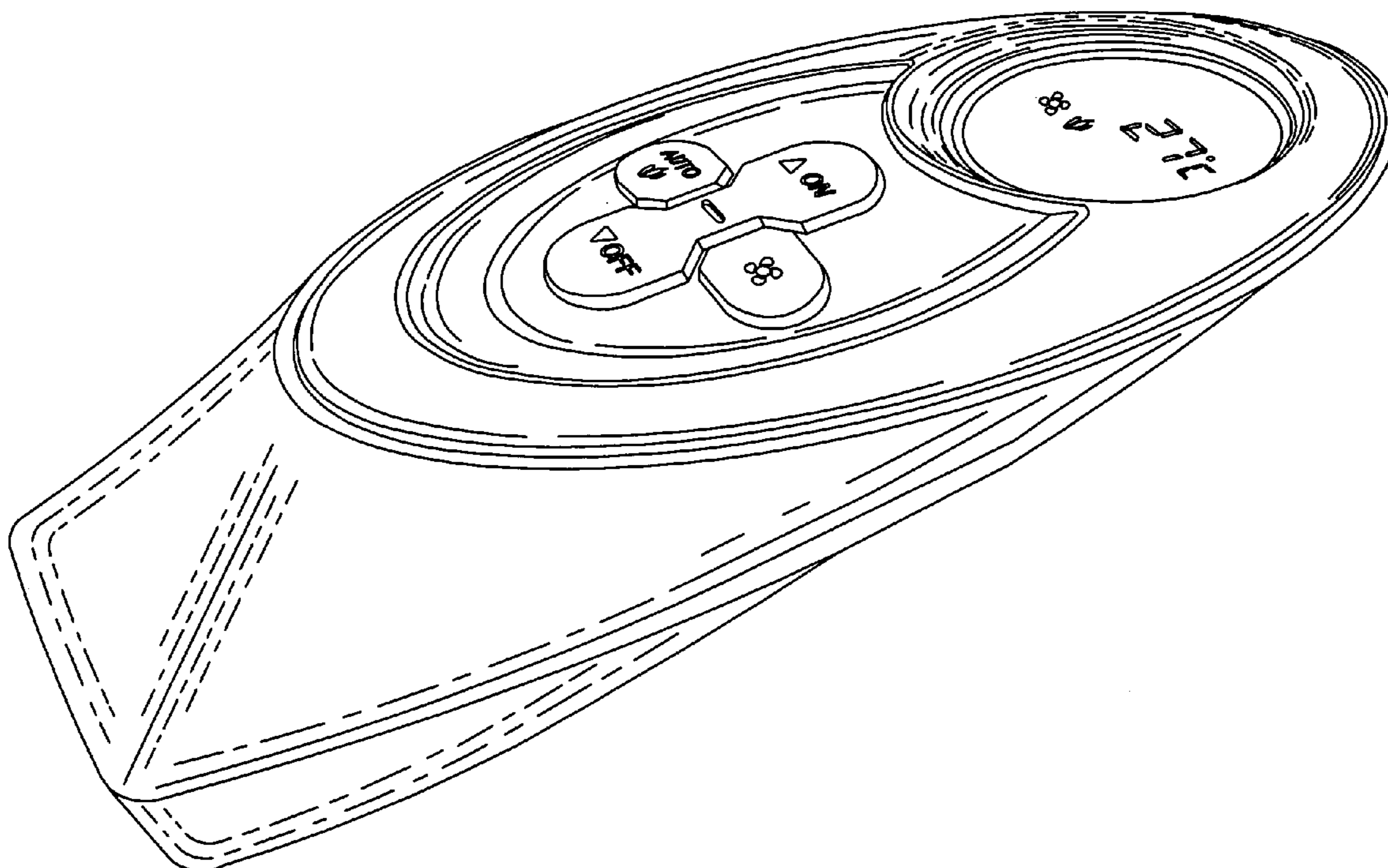
FIG. 5 is a bottom plan view thereof;

FIG. 6 is a left side elevational view thereof;

FIG. 7 is a right side elevational view thereof; and,

FIG. 8 is a bottom perspective view thereof.

1 Claim, 5 Drawing Sheets



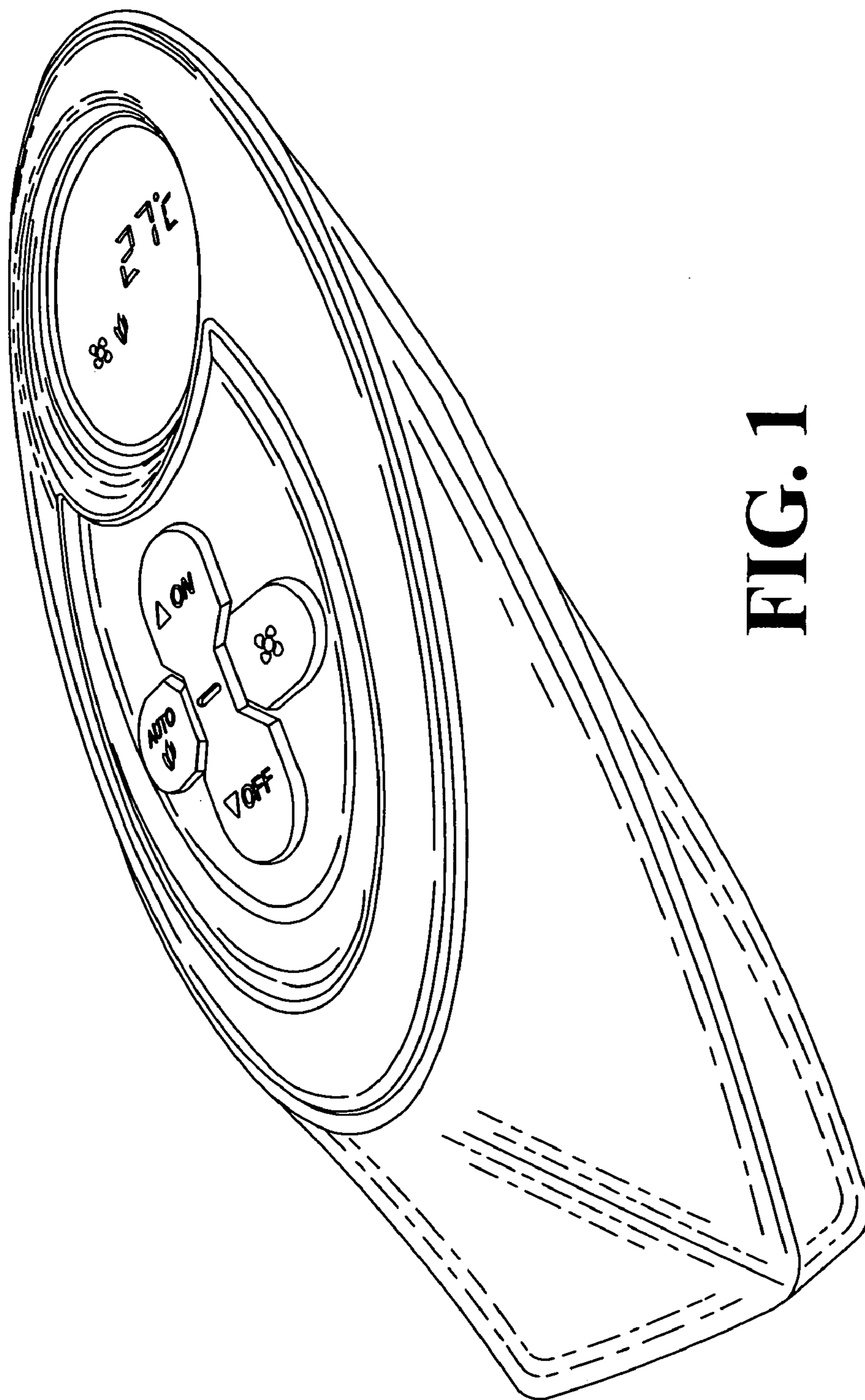


FIG. 1

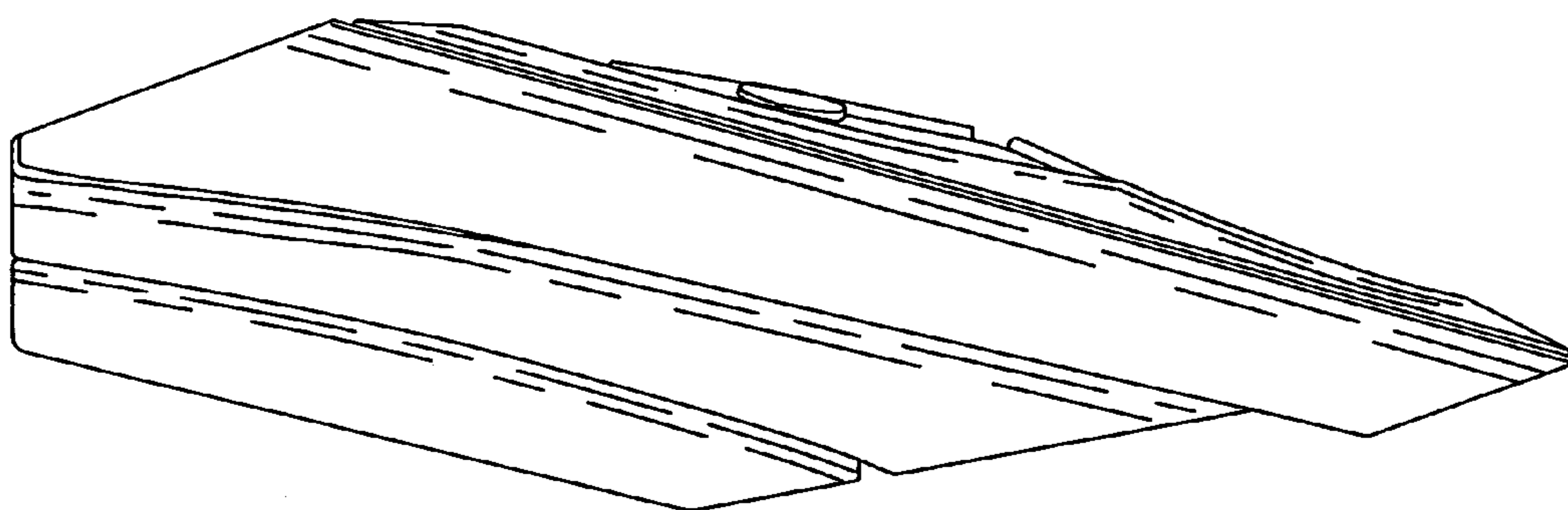


FIG. 2

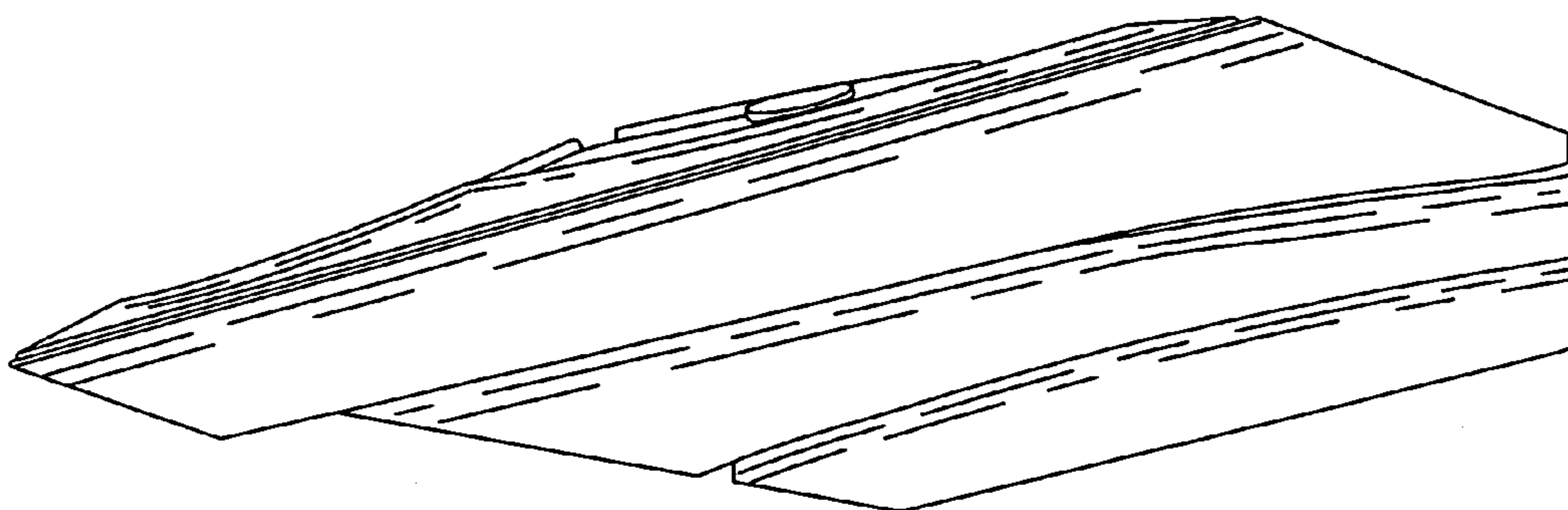


FIG. 3

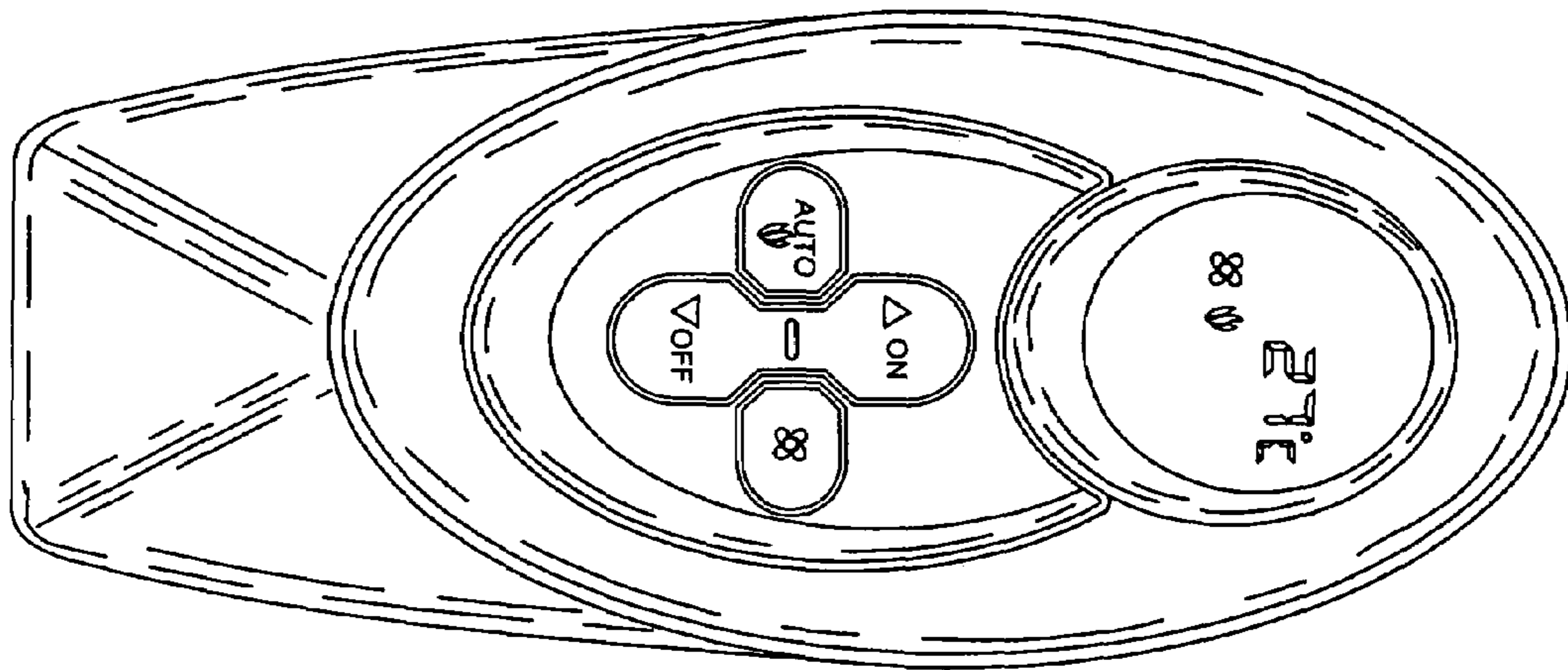


FIG. 4

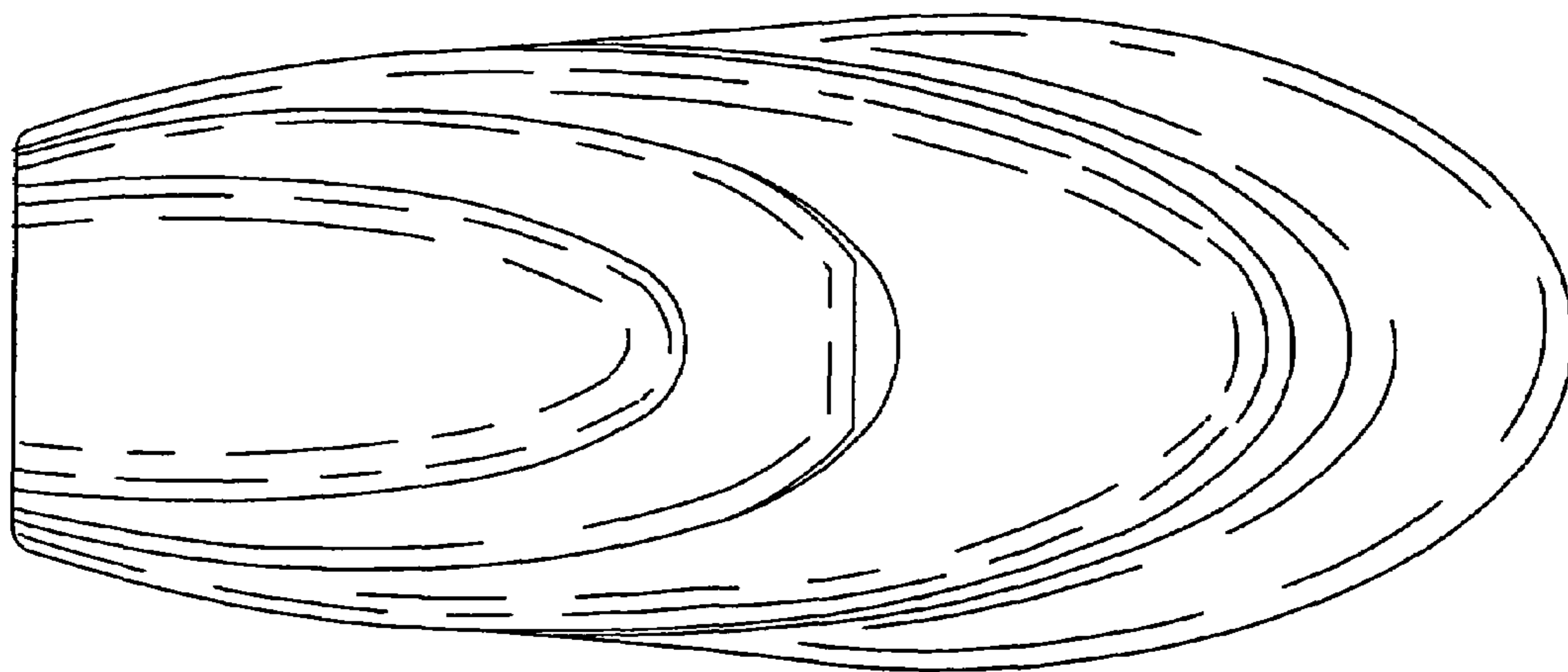


FIG. 5

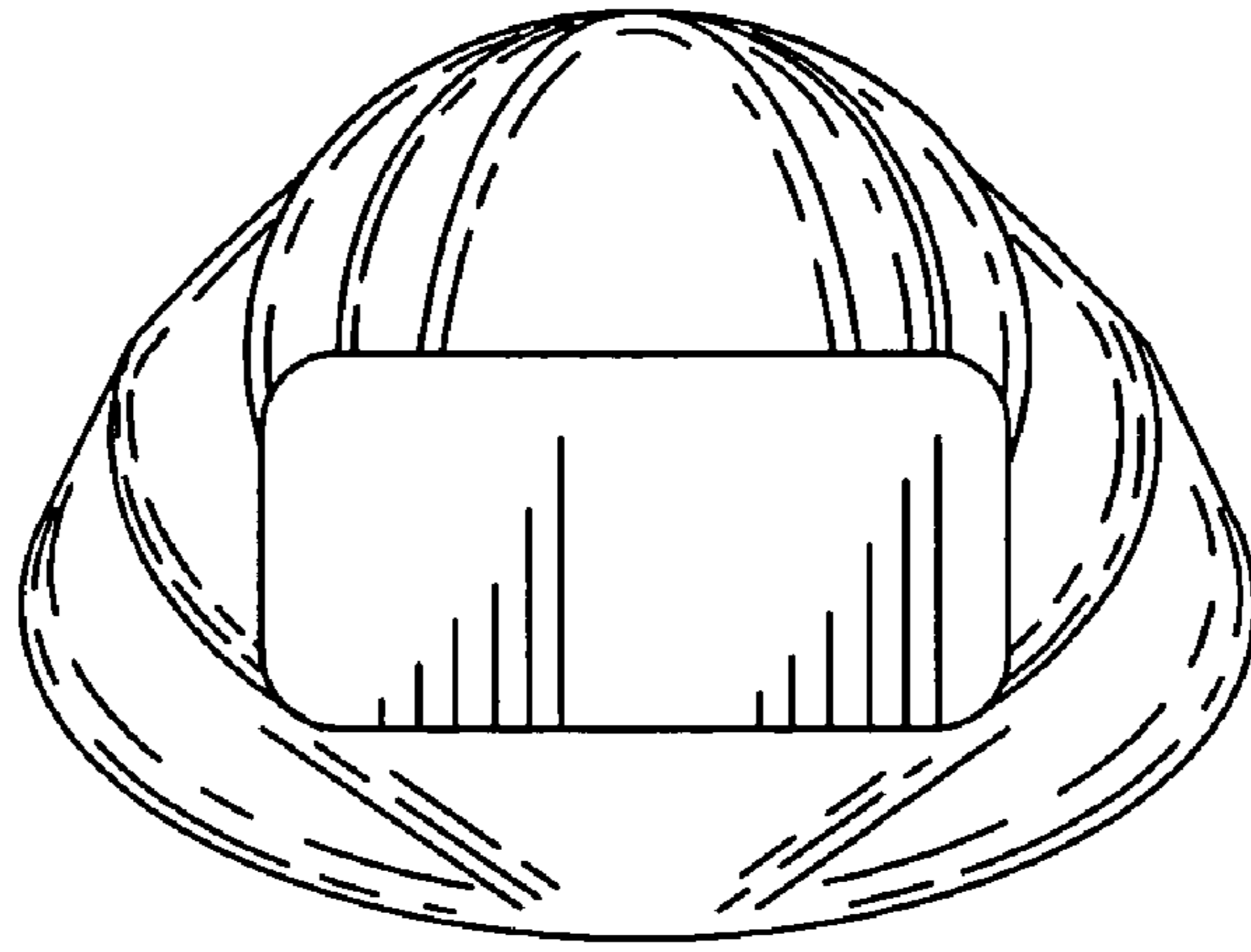


FIG. 6

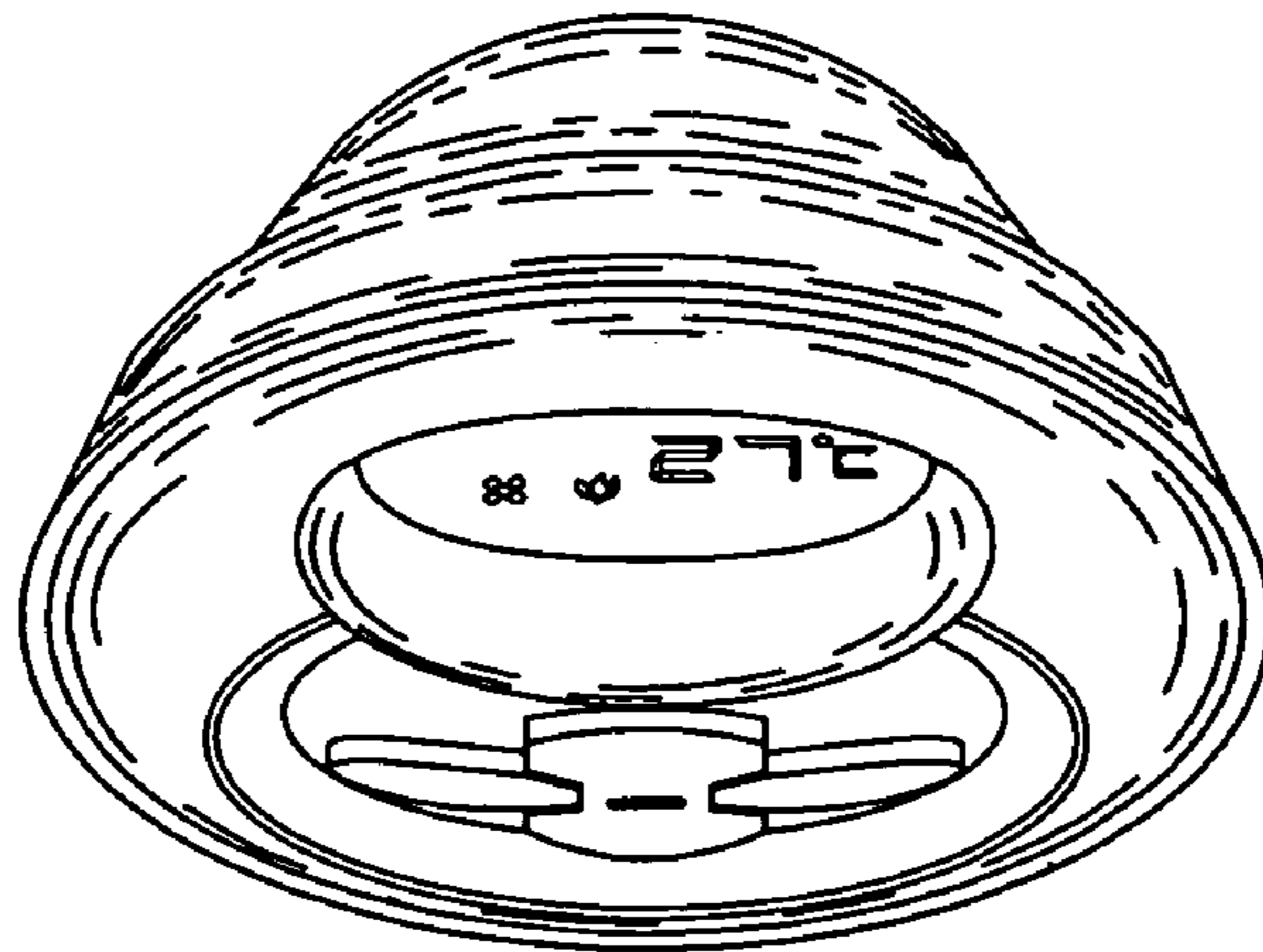


FIG. 7

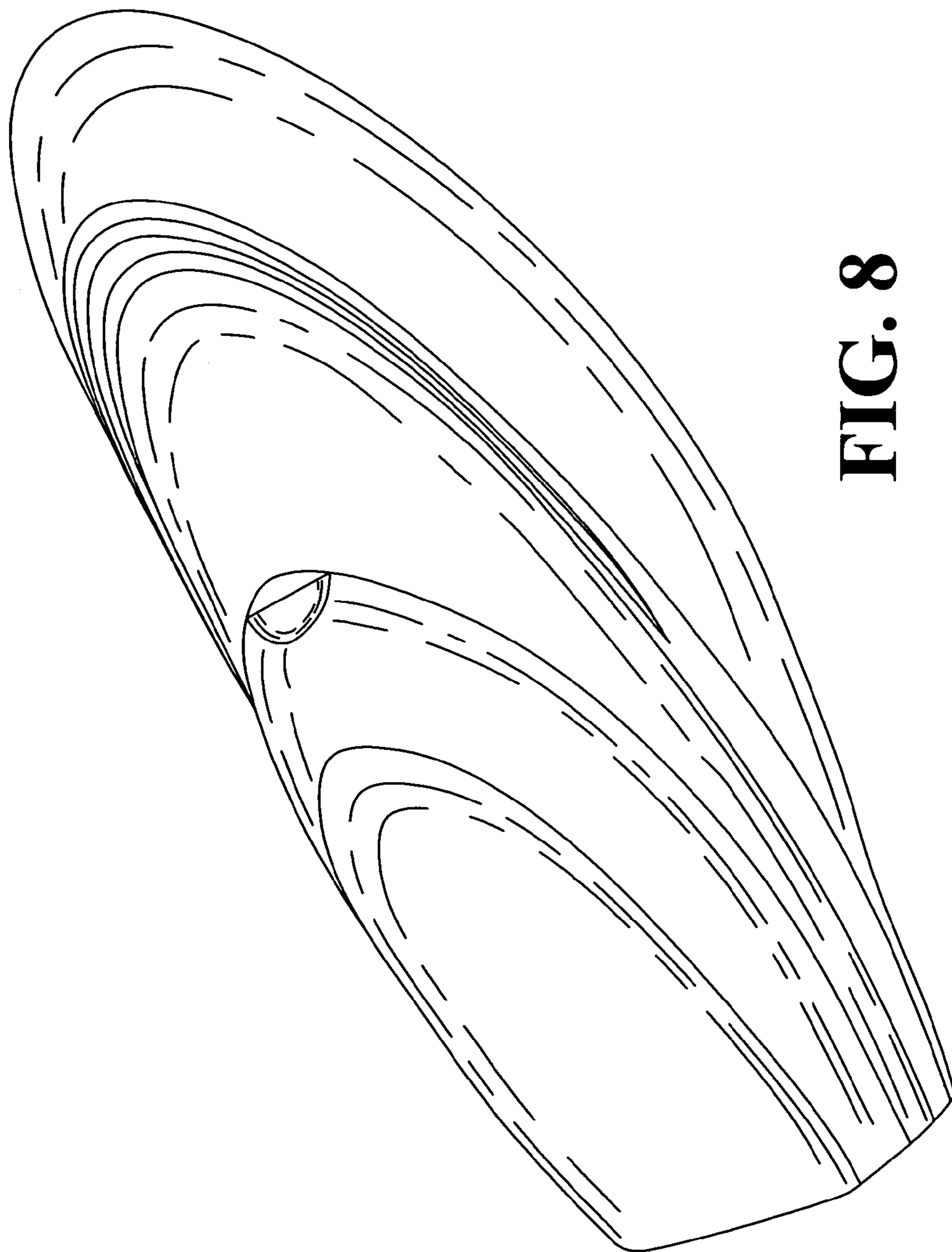


FIG. 8