

US00D578077S

(12) **United States Design Patent**  
**Amidon**

(10) **Patent No.:** **US D578,077 S**

(45) **Date of Patent:** **\*\* Oct. 7, 2008**

(54) **OPEN COMPRESSION-TYPE COAXIAL  
CABLE CONNECTOR**

2008/0064259 A1\* 3/2008 Amidon ..... 439/578

(75) Inventor: **Jeremy Amidon**, Marcellus, NY (US)

(73) Assignee: **John Mezzalingua Assoc., Inc.**, East  
Syracuse, NY (US)

(\*\*) Term: **14 Years**

(21) Appl. No.: **29/299,883**

(22) Filed: **Jan. 7, 2008**

(51) **LOC (8) Cl.** ..... **13-03**

(52) **U.S. Cl.** ..... **D13/154; D13/133**

(58) **Field of Classification Search** ..... D13/133,  
D13/151, 154, 184, 199; 174/75 C; 439/246,  
439/252, 306, 476.1, 578, 580, 583, 584,  
439/585, 805

See application file for complete search history.

(56) **References Cited**

**U.S. PATENT DOCUMENTS**

D233,991 S	*	12/1974	Smith et al.	.....	D13/151
D436,076 S	*	1/2001	Montena	.....	D13/133
D437,826 S	*	2/2001	Montena	.....	D13/133
D440,539 S	*	4/2001	Montena	.....	D13/133
D440,939 S	*	4/2001	Montena	.....	D13/133
D475,945 S		6/2003	Kolbinger et al.		
D475,975 S	*	6/2003	Fox	.....	D13/151
D475,976 S		6/2003	Montena		
D505,391 S	*	5/2005	Rodrigues et al.	.....	D13/151
D513,736 S		1/2006	Fox		
D518,772 S	*	4/2006	Fox	.....	D13/133
D535,259 S	*	1/2007	Rodrigues et al.	.....	D13/151
D561,691 S	*	2/2008	Holliday	.....	D13/133

**OTHER PUBLICATIONS**

- Chawgo, Shawn., U.S. Appl. No. 29/277,038, filed Feb. 12, 2007.
- Chawgo, Shawn., U.S. Appl. No. 29/277,040, filed Feb. 12, 2007.
- Chawgo, Shawn., U.S. Appl. No. 29/277,043, filed Feb. 12, 2007.
- Chawgo, Shawn., U.S. Appl. No. 29/277,045, filed Feb. 12, 2007.
- Chawgo, Shawn., U.S. Appl. No. 29/277,080, filed Feb. 13, 2007.
- Chawgo, Shawn., U.S. Appl. No. 29/277,081, filed Feb. 13, 2007.
- Chawgo, Shawn., U.S. Appl. No. 29/277,094, filed Feb. 13, 2007.
- Chawgo, Shawn., U.S. Appl. No. 29/278,908, filed Apr. 13, 2007.
- Chawgo, Shawn., U.S. Appl. No. 29/297,723, filed Nov. 16, 2007.
- Chawgo, Shawn., U.S. Appl. No. 29/297,724, filed Nov. 16, 2007.
- Chawgo, Shawn., U.S. Appl. No. 29/277,042, filed Feb. 12, 2007.

\* cited by examiner

*Primary Examiner*—Daniel D Bui

(74) *Attorney, Agent, or Firm*—Melissa Bitting

(57) **CLAIM**

The ornamental design for an open compression-type coaxial cable connector, as shown and described.

**DESCRIPTION**

FIG. 1 is a perspective view of an open compression-type coaxial cable connector, in an open position, showing my new design;

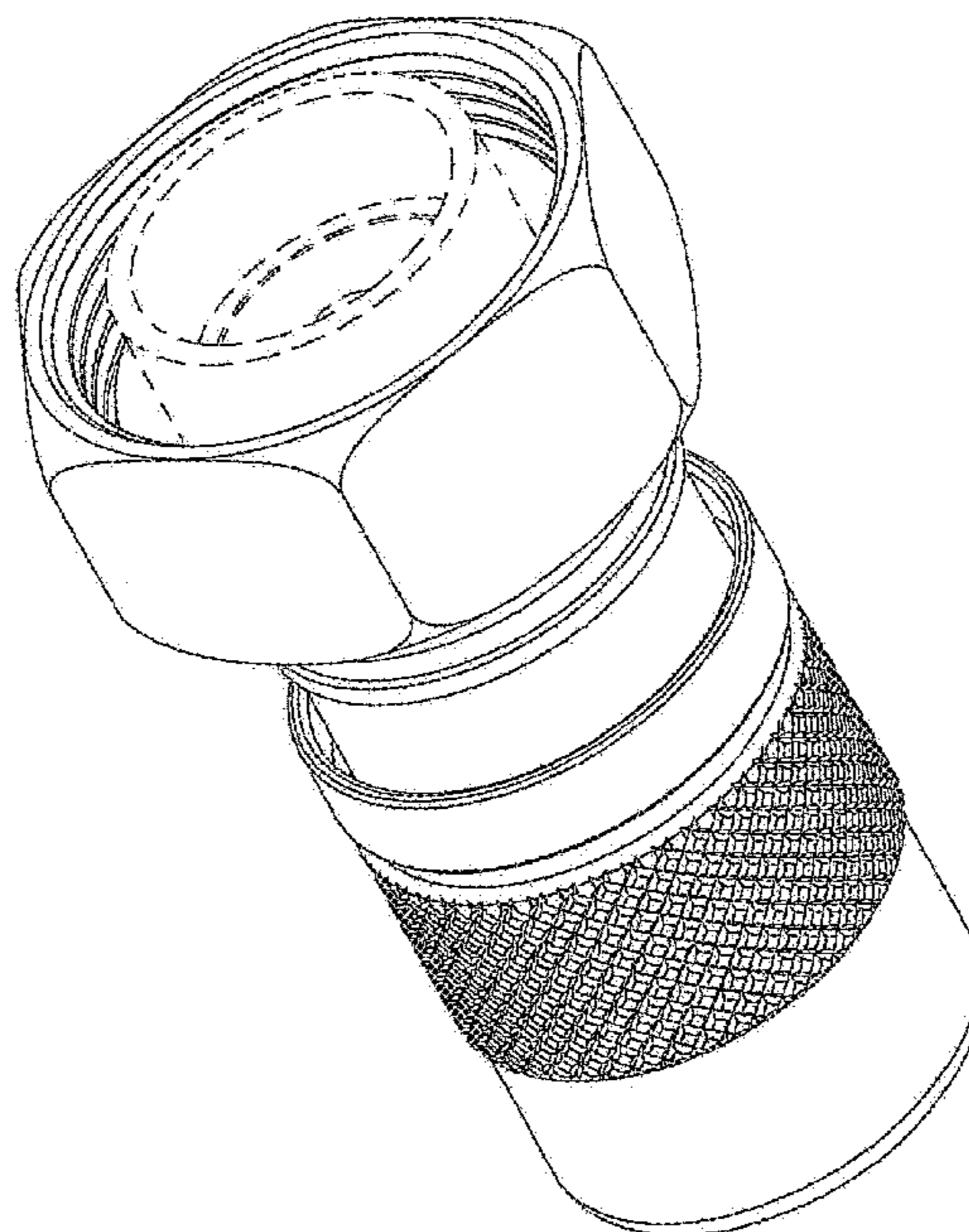
FIG. 2 is a side elevation view thereof, with the opposite side elevation being a mirror image thereto;

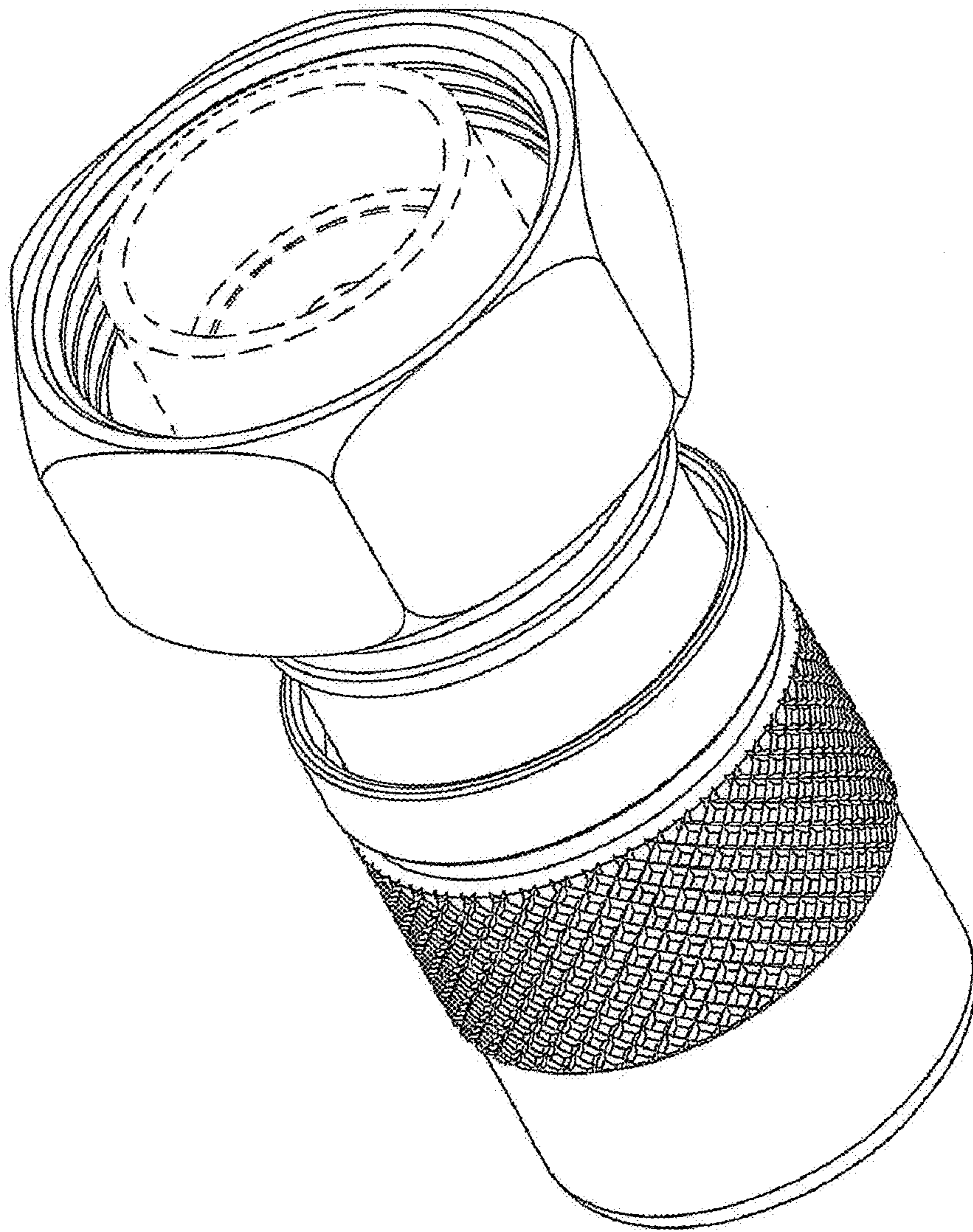
FIG. 3 is a top plan view thereof; and,

FIG. 4 is a bottom plan view thereof.

The broken line of the internal elements of the connector is included to show unclaimed subject matter only and forms no part of the claimed design.

**1 Claim, 4 Drawing Sheets**





**FIG. 1**

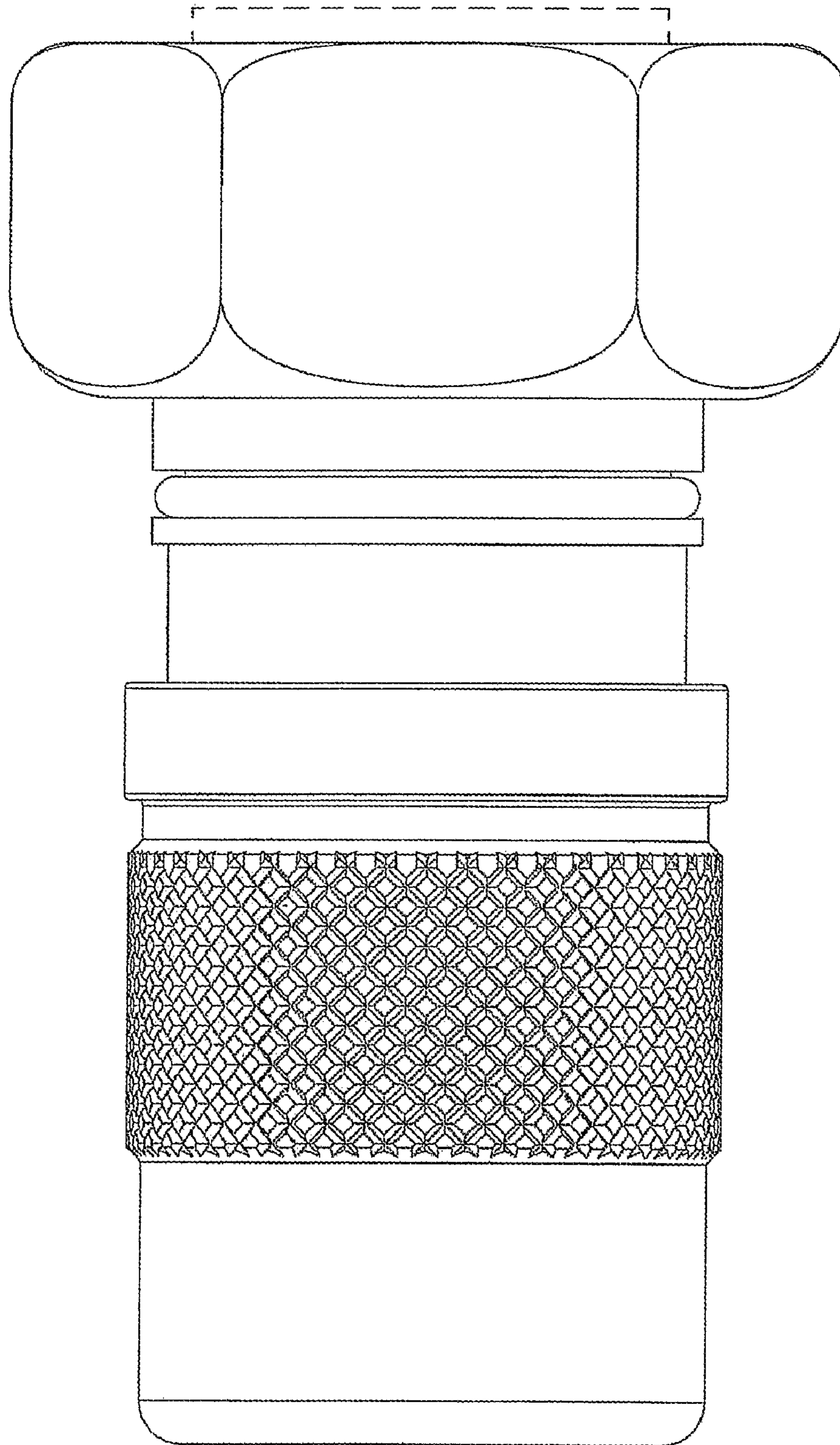


FIG. 2

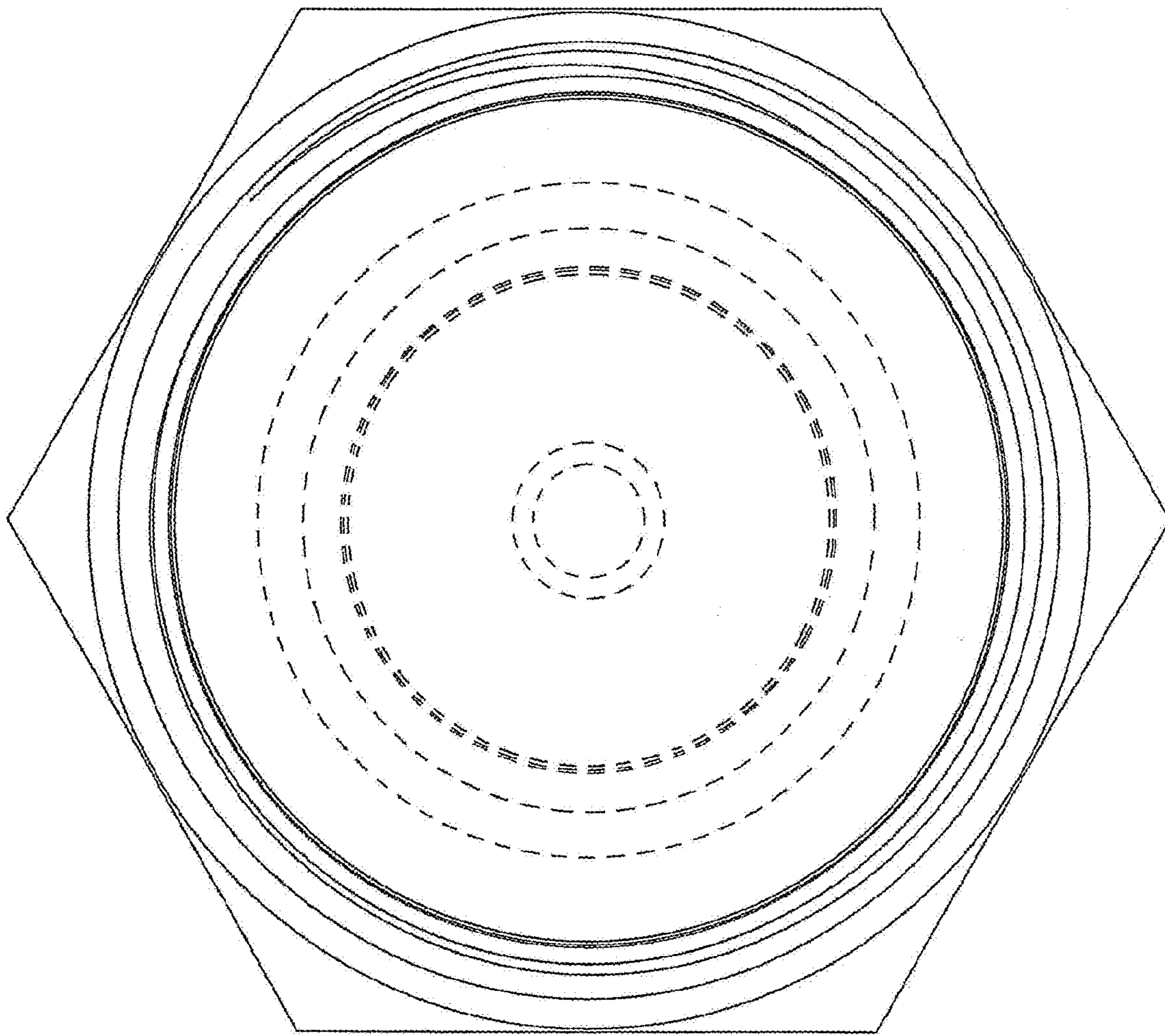


FIG. 3

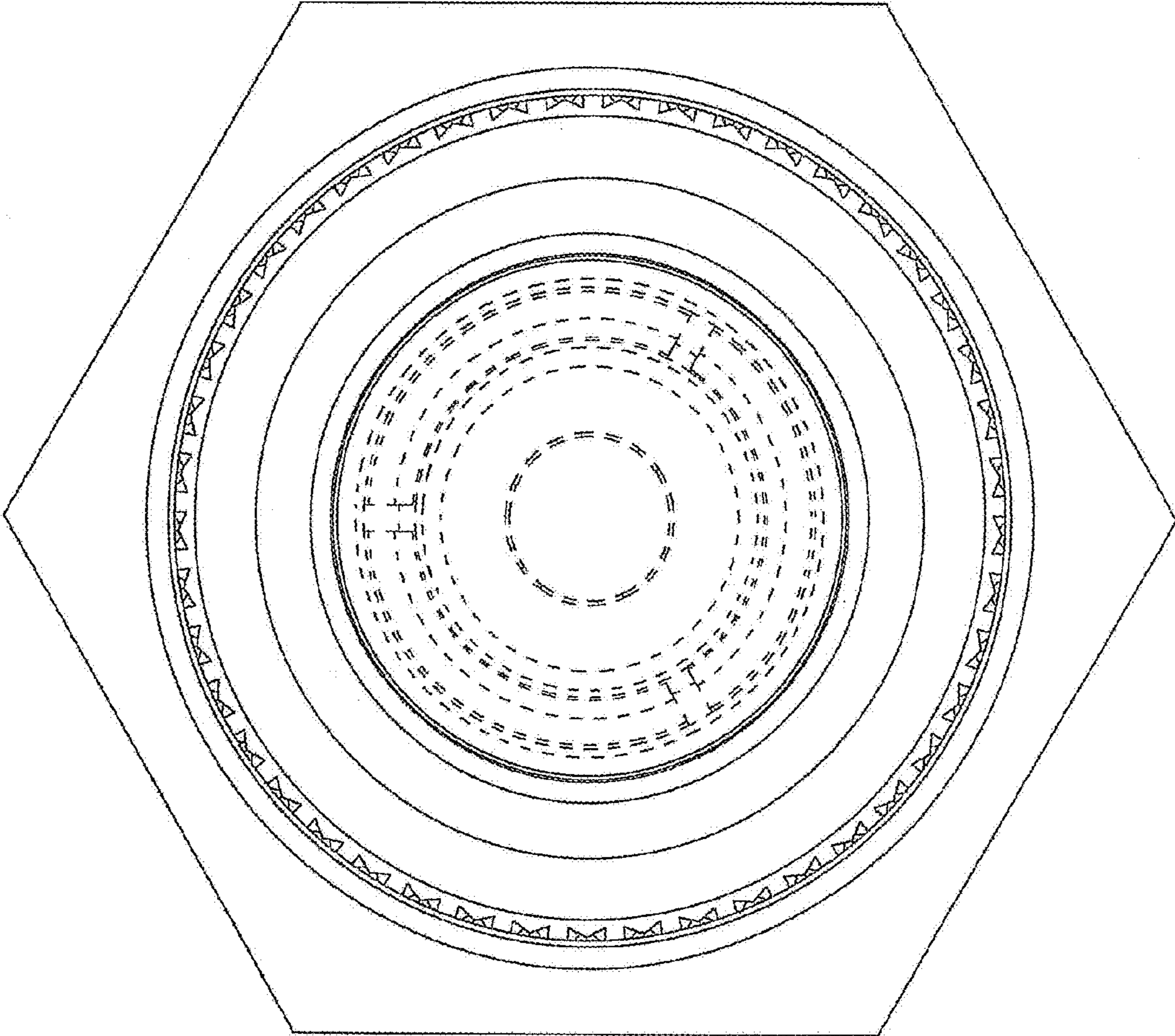


FIG. 4