

US00D578076S

(12) **United States Design Patent**
Henderson

(10) **Patent No.:** **US D578,076 S**

(45) **Date of Patent:** **** Oct. 7, 2008**

(54) **PORTION OF A CONNECTOR**

(75) Inventor: **Cameron J. Henderson**, New Hope,
MN (US)

(73) Assignee: **Griffin International Companies, Inc.**,
Minneapolis, MN (US)

(**) Term: **14 Years**

(21) Appl. No.: **29/299,470**

(22) Filed: **Dec. 27, 2007**

Related U.S. Application Data

(62) Division of application No. 29/235,680, filed on Aug.
4, 2005, now Pat. No. Des. 562,252.

(51) **LOC (8) Cl.** **13-03**

(52) **U.S. Cl.** **D13/154**

(58) **Field of Classification Search** D13/133,
D13/146-147, 153-154, 184; 439/350, 357-358,
439/597, 599, 607-610, 660, 668, 676, 692
See application file for complete search history.

(56) **References Cited**

U.S. PATENT DOCUMENTS

D368,696 S	4/1996	Nagele et al.
D387,733 S	12/1997	Lee
D392,942 S	3/1998	Lee
5,984,717 A	11/1999	Lee
D429,218 S	8/2000	Lee
D438,510 S	3/2001	Leen
D447,120 S	8/2001	Lee
D448,006 S	9/2001	Lee
D449,583 S	10/2001	Goto
D450,039 S	11/2001	Goto

D470,819 S	2/2003	Sass et al.	
D471,156 S	3/2003	Sass et al.	
D476,951 S	7/2003	Hussaini et al.	
D484,463 S	12/2003	Hussaini et al.	
D491,894 S	6/2004	Jiang	
D531,581 S	11/2006	Wang et al.	
D556,134 S *	11/2007	Lee et al.	D13/133
D562,253 S *	2/2008	Henderson	D13/154

* cited by examiner

Primary Examiner—Daniel D Bui

(74) *Attorney, Agent, or Firm*—Dicke, Billig & Czaja, PLLC

(57) **CLAIM**

The ornamental design for a portion of a connector, as shown
and described.

DESCRIPTION

This application is related to U.S. Divisional patent applica-
tion Ser. Nos. 29/299,473 filed Dec. 27, 2007, and 29/299,
478, filed Dec. 27, 2007, which are incorporated herein by
reference.

FIG. 1 is a top, front and left-side perspective view of a
portion of a connector, showing my new design.

FIG. 2 is a top plan view thereof.

FIG. 3 is a bottom plan view thereof.

FIG. 4 is a right side elevation view thereof.

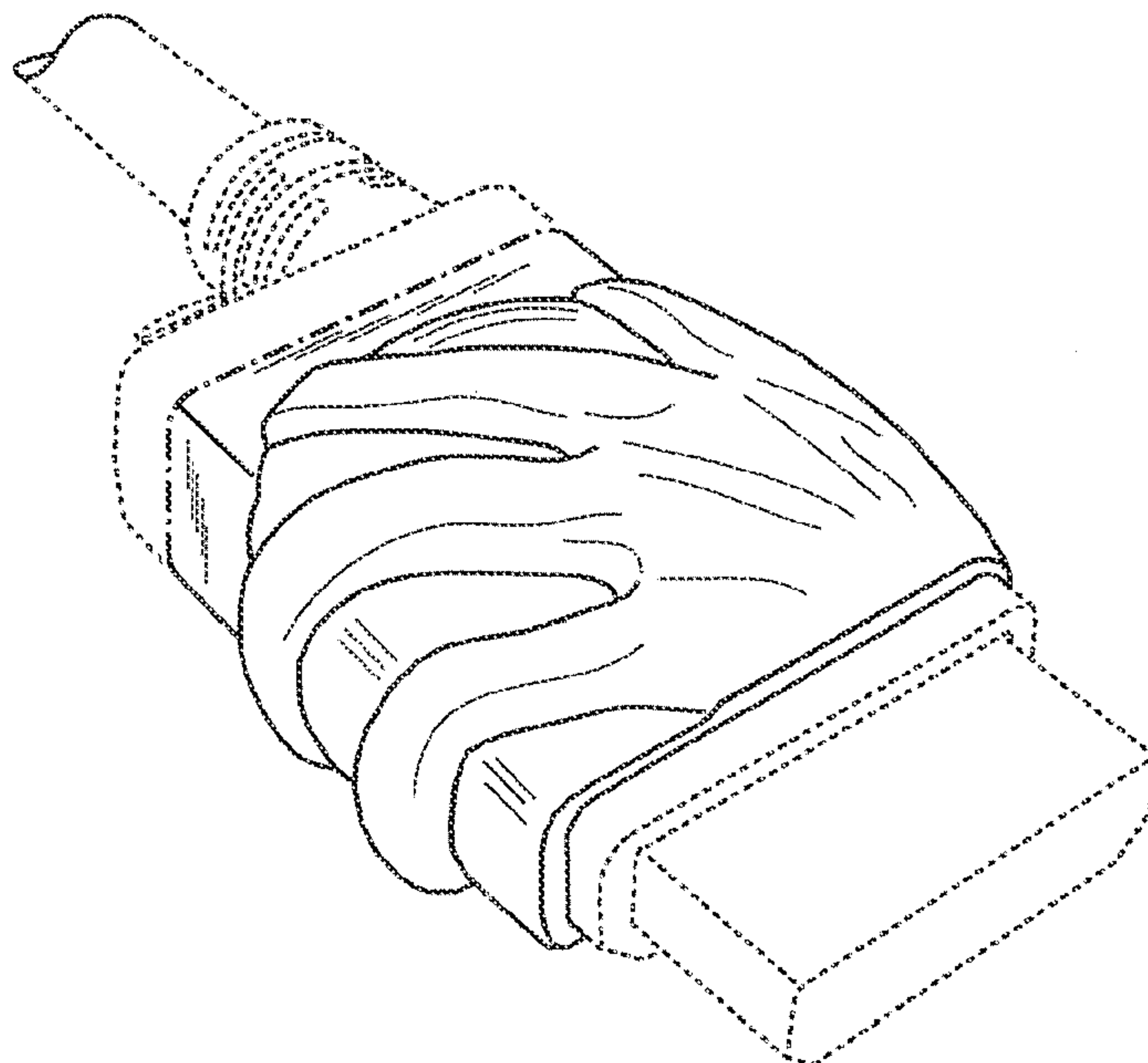
FIG. 5 is a left side elevation view thereof.

FIG. 6 is a front elevation view thereof; and,

FIG. 7 is a rear elevation view thereof.

The broken line showing of the environment is for illustrative
purposes only, and forms no part of the claimed design.

1 Claim, 6 Drawing Sheets



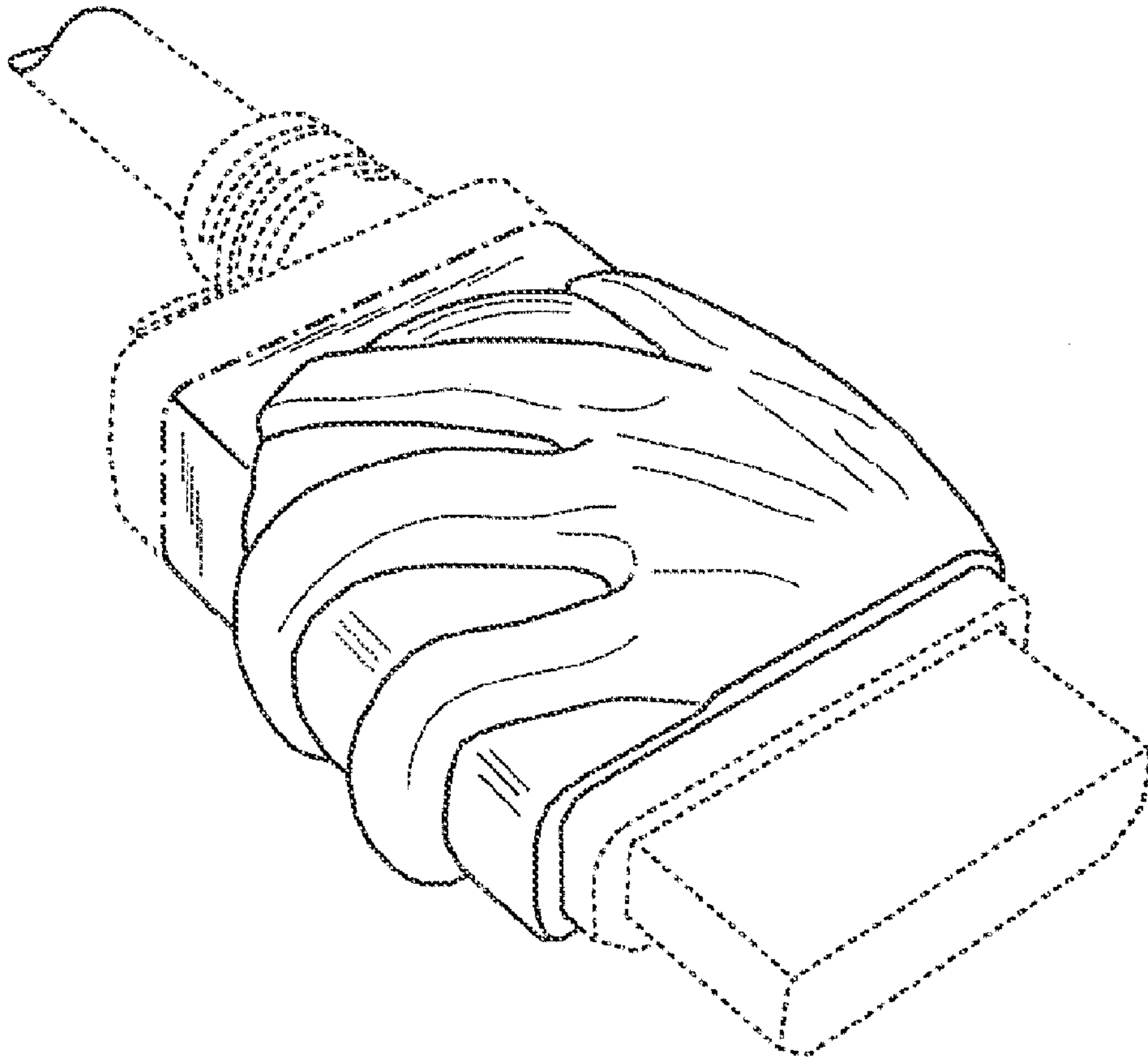


Fig. 1

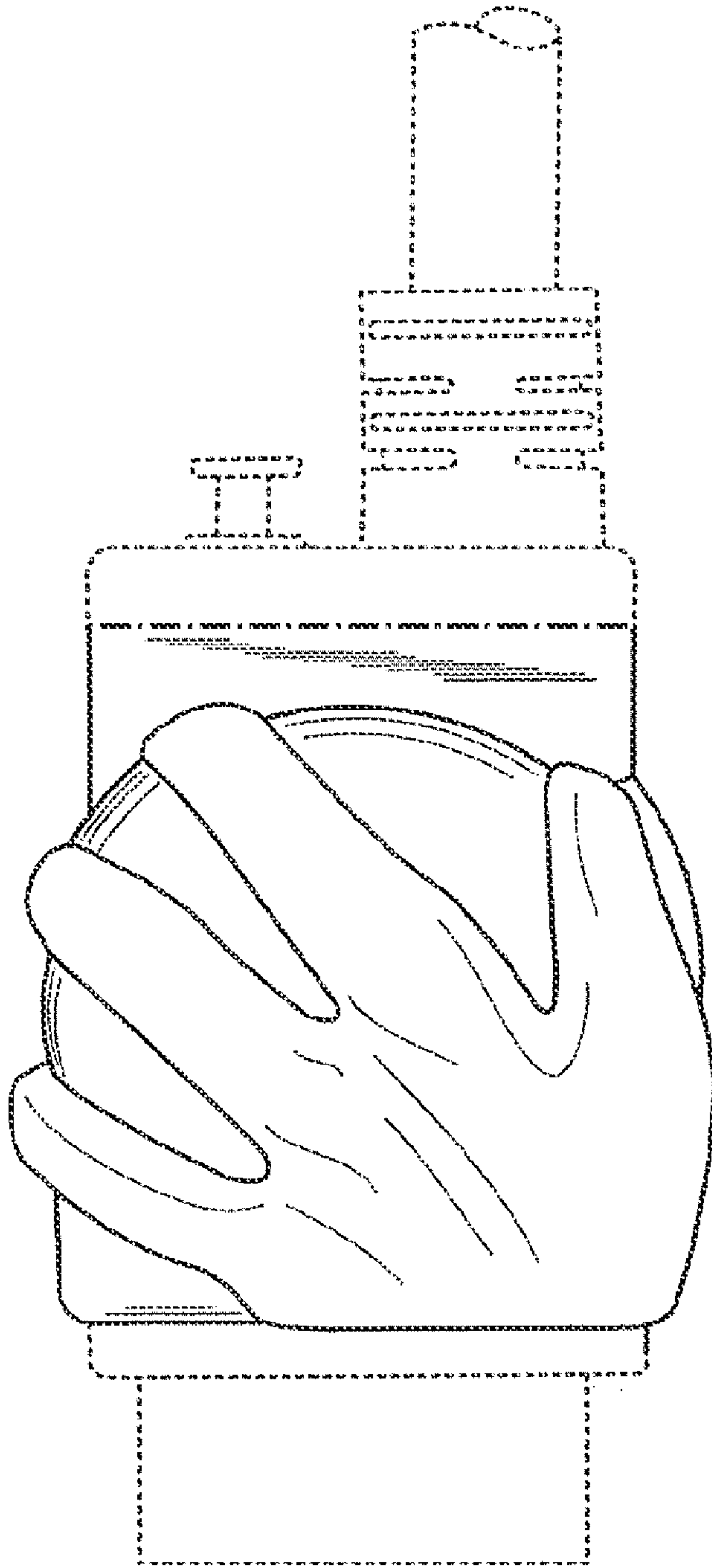


Fig. 2

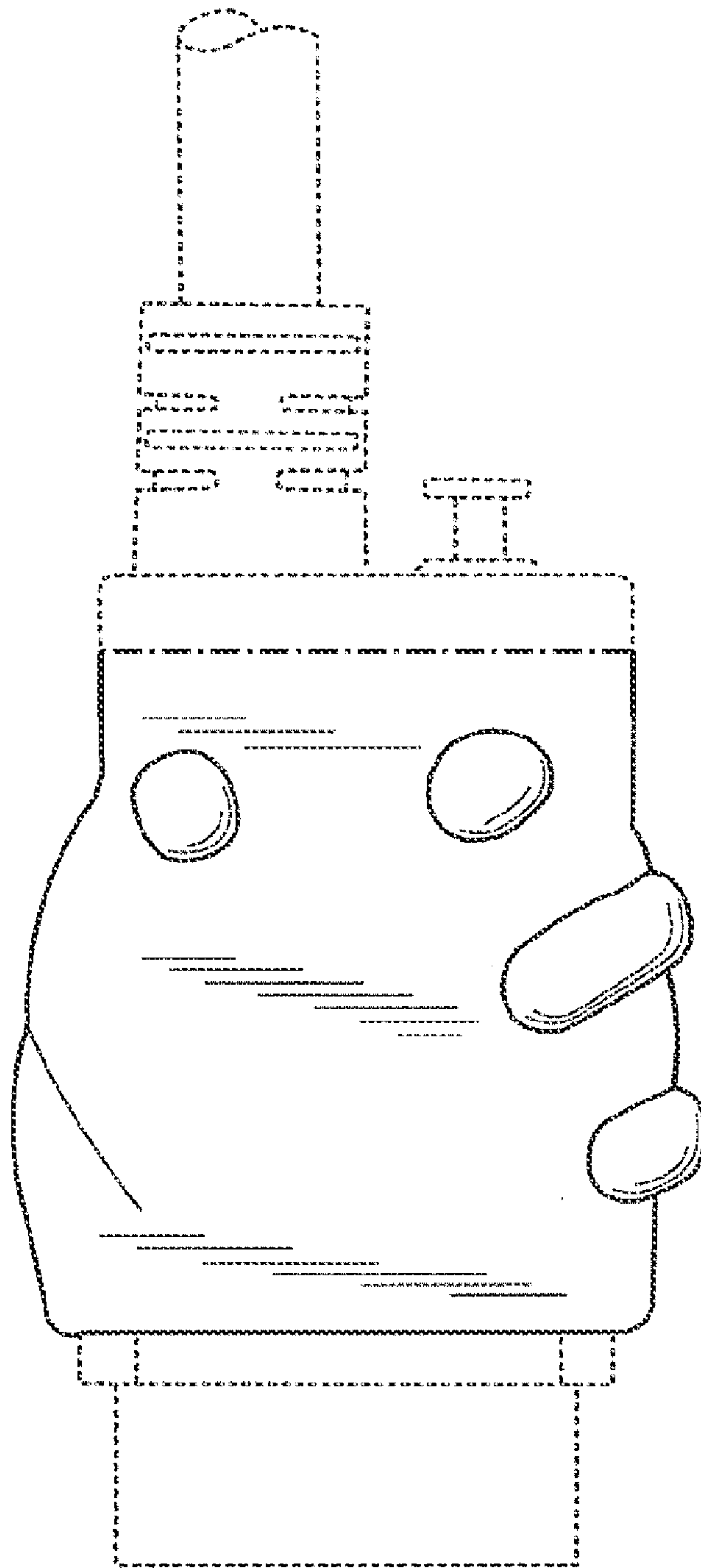


Fig. 3

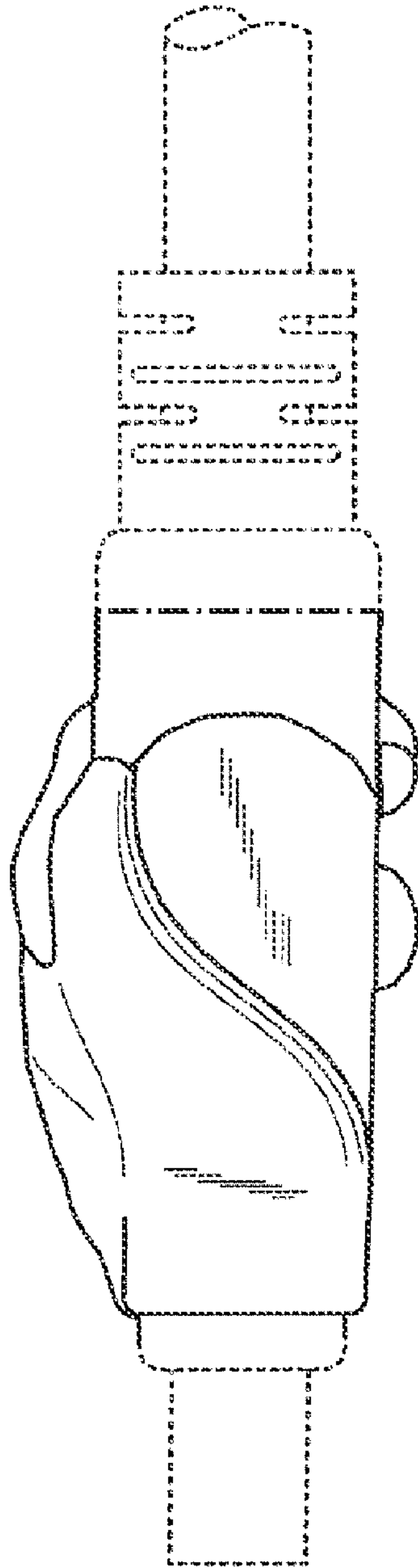


Fig. 4

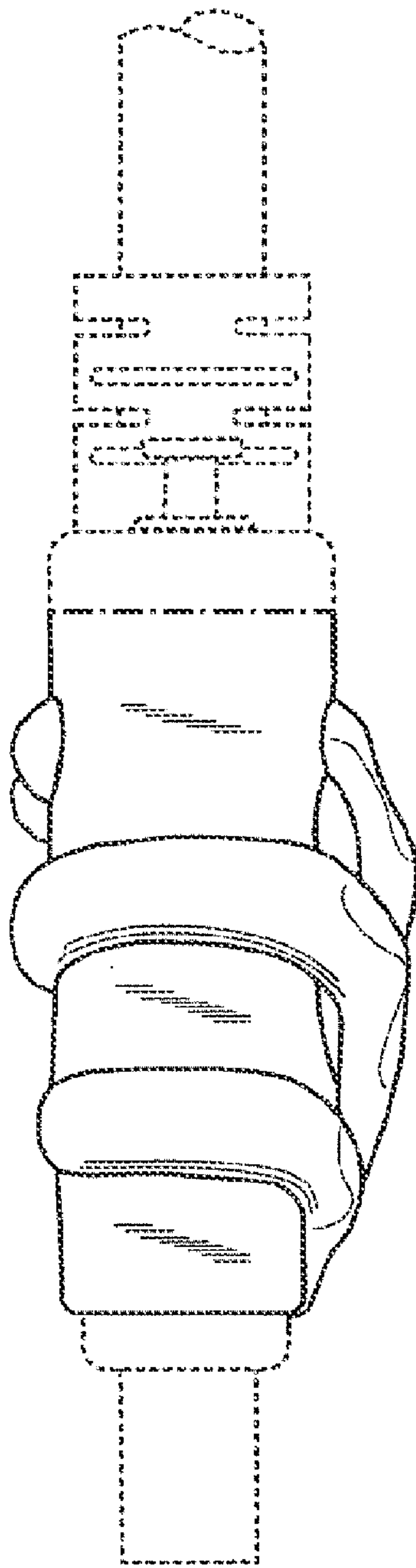


Fig. 5

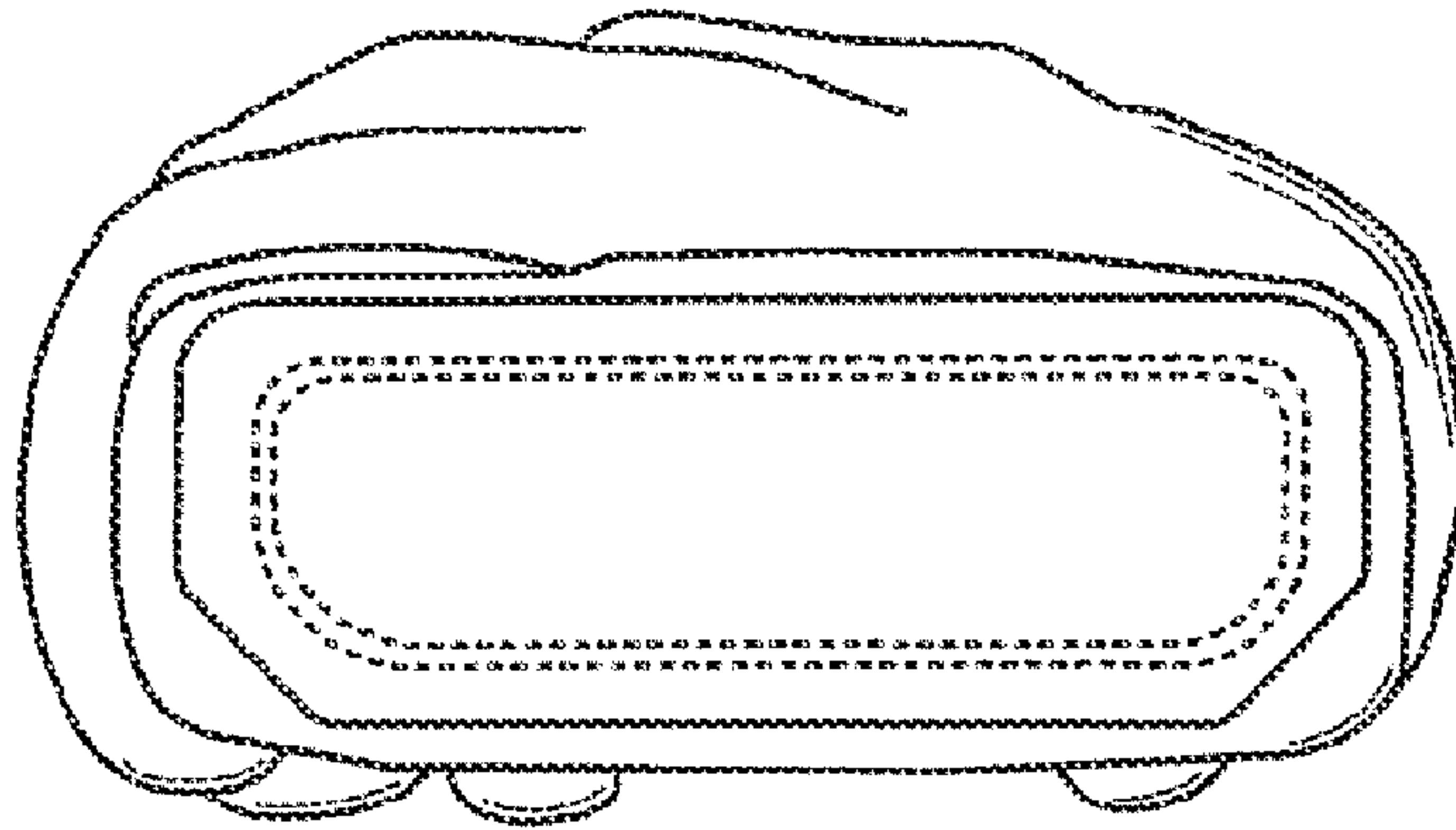


Fig. 6

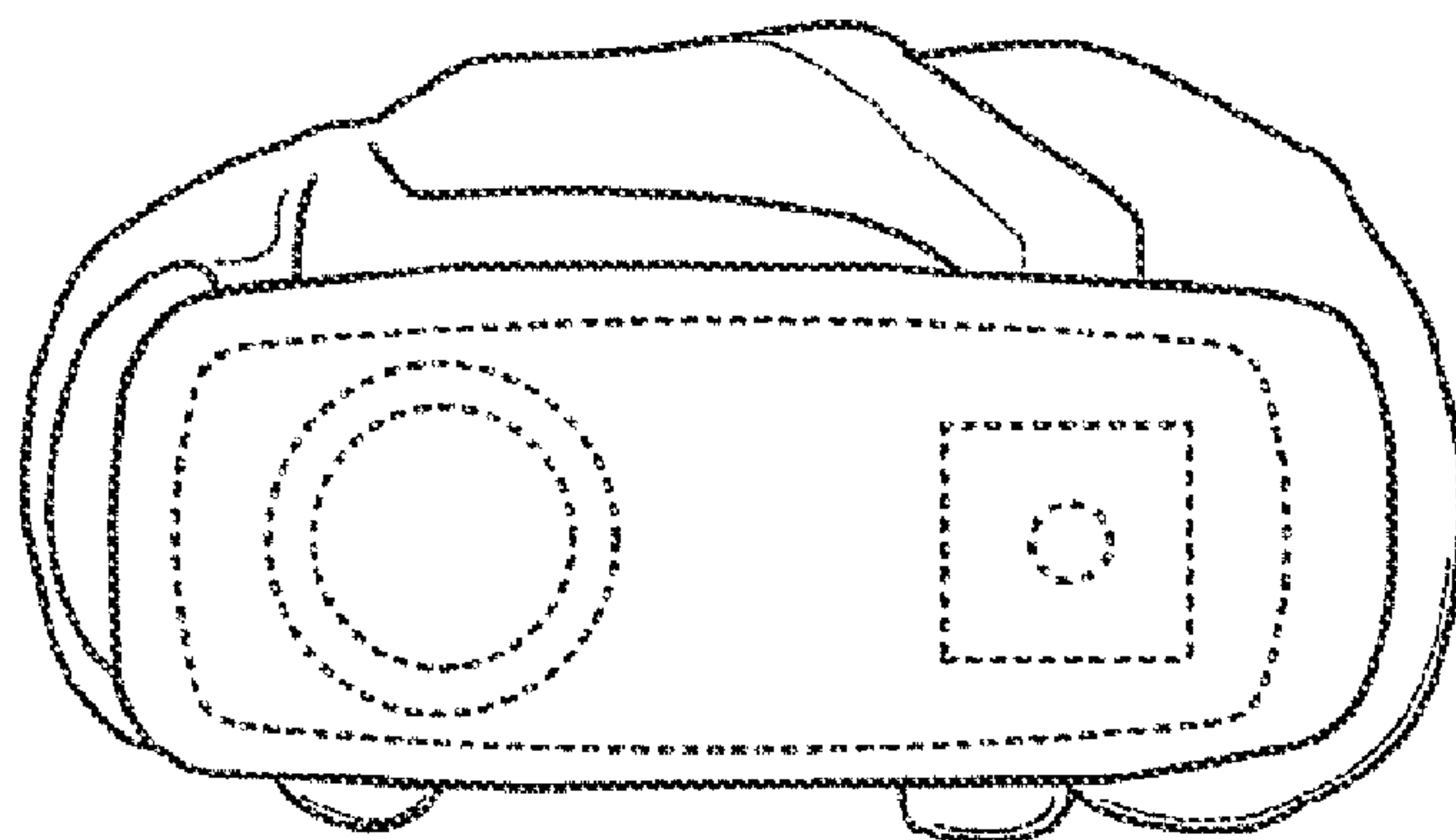


Fig. 7