



US00D578075S

(12) **United States Design Patent**
Yang

(10) **Patent No.:** **US D578,075 S**
(45) **Date of Patent:** **** Oct. 7, 2008**

- (54) **CONTACT OF AN ELECTRICAL CONNECTOR**
- (75) Inventor: **Neng-Lai Yang**, ShenZhen (CN)
- (73) Assignee: **Hon Hai Precision Ind. Co., Ltd.**, Taipei Hsien (TW)
- (**) Term: **14 Years**
- (21) Appl. No.: **29/289,970**
- (22) Filed: **Aug. 8, 2007**
- (30) **Foreign Application Priority Data**
Feb. 9, 2007 (CN) 2007 3 0026447
- (51) **LOC (8) Cl.** **13-03**
- (52) **U.S. Cl.** **D13/154**
- (58) **Field of Classification Search** D13/133, D13/147, 154, 156, 184, 138.1; 439/159-160, 439/375-677, 680
See application file for complete search history.
- (56) **References Cited**
U.S. PATENT DOCUMENTS
5,961,338 A * 10/1999 Wu et al. 439/636

- 6,053,776 A * 4/2000 Bricaud et al. 439/630
- 6,149,466 A * 11/2000 Bricaud et al. 439/630
- D539,750 S * 4/2007 Takahashi et al. D13/147
- D560,614 S * 1/2008 McEvoy et al. D13/147
- D561,695 S * 2/2008 Hung et al. D13/133

* cited by examiner

Primary Examiner—Brian N Vinson
(74) *Attorney, Agent, or Firm*—Wei Te Chung

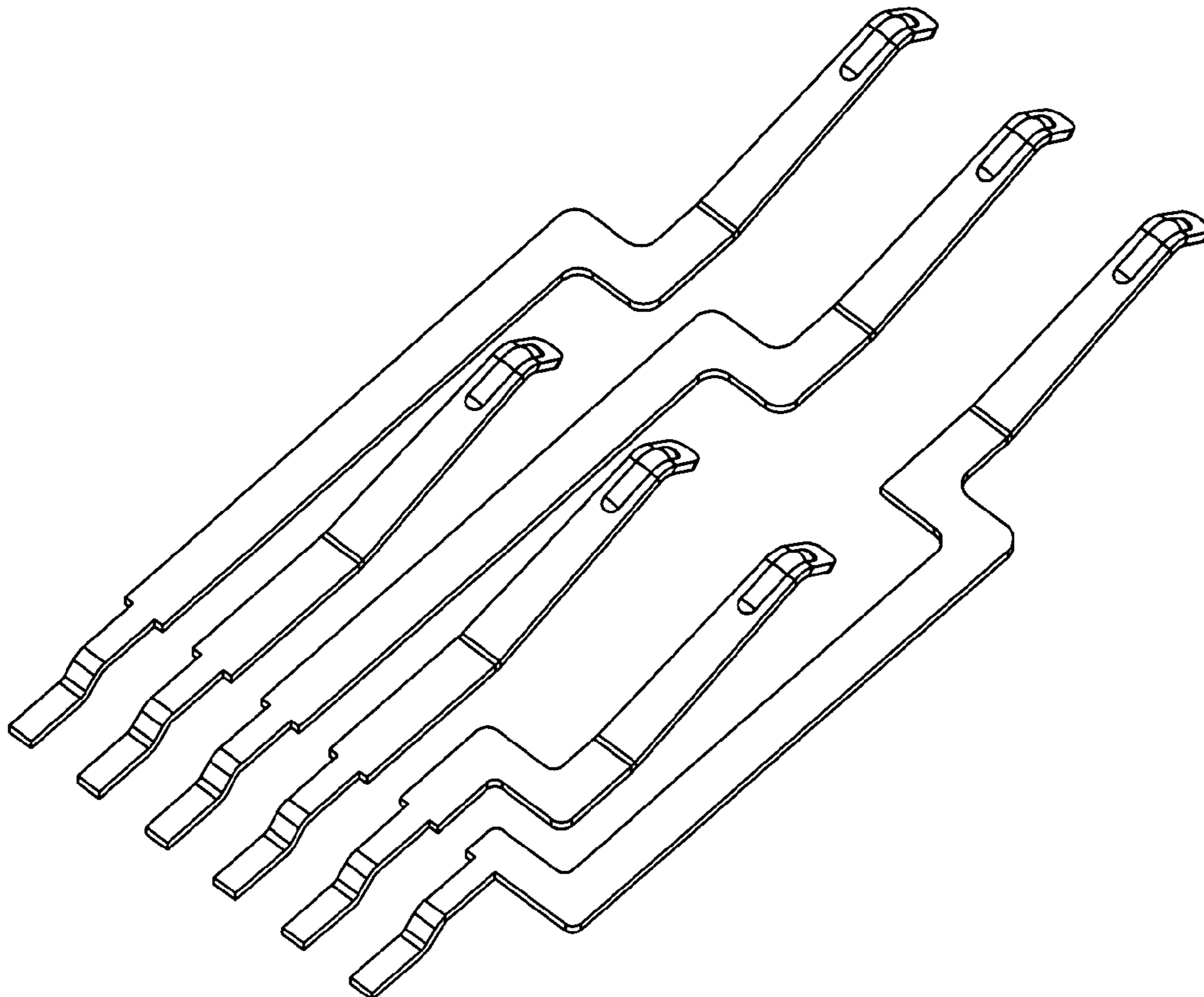
(57) **CLAIM**

The ornamental design for contact of an electrical connector, as shown.

DESCRIPTION

FIG. 1 is a perspective view of contact for an electrical connector my new design;
FIG. 2 is a front elevational view of FIG. 1;
FIG. 3 is a rear elevational view of FIG. 1;
FIG. 4 is a left side elevational view of FIG. 1;
FIG. 5 is a right side elevational view of FIG. 1;
FIG. 6 is a top plan view of FIG. 1; and,
FIG. 7 is a bottom plan view of FIG. 1.

1 Claim, 7 Drawing Sheets



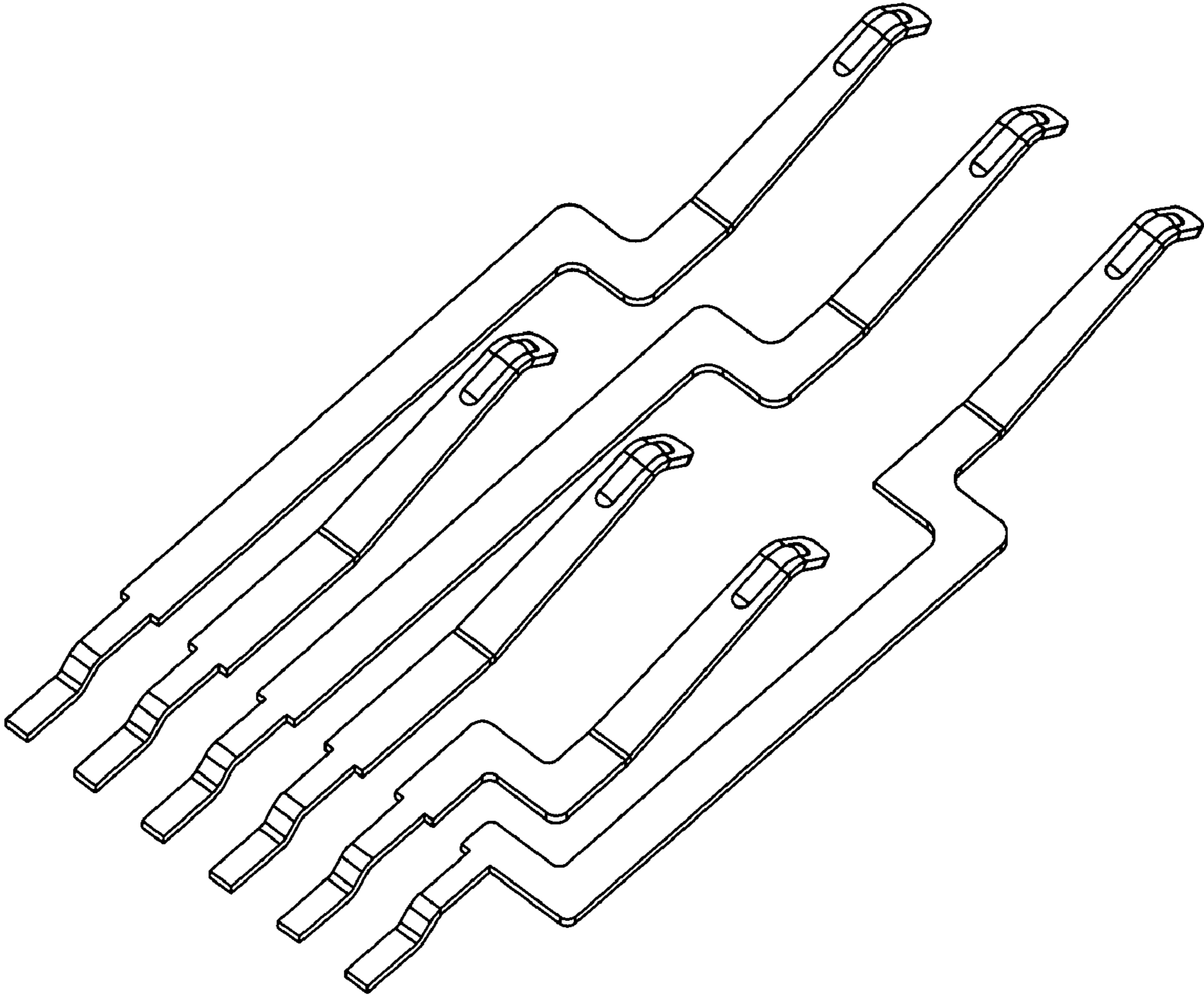


FIG. 1

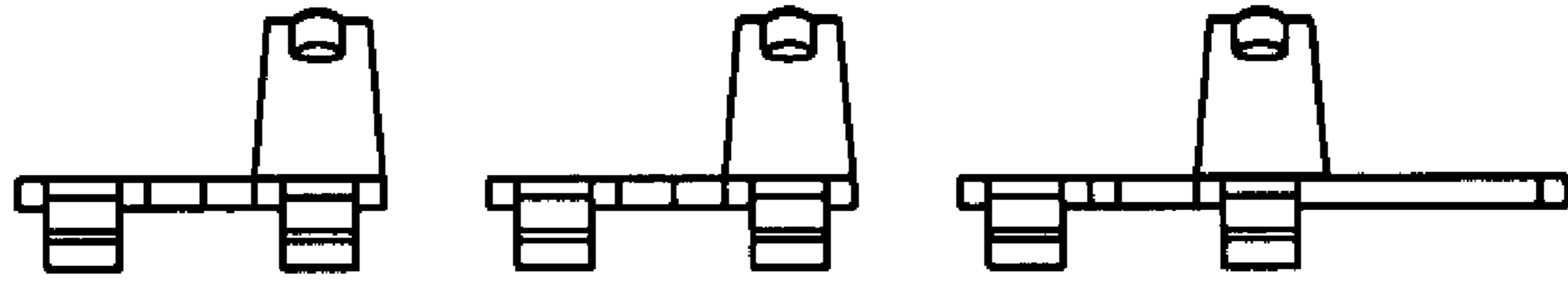


FIG. 2

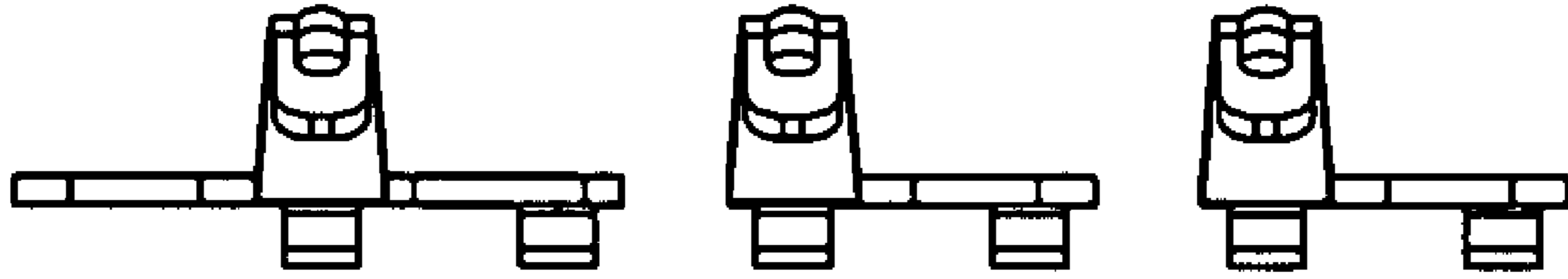


FIG. 3

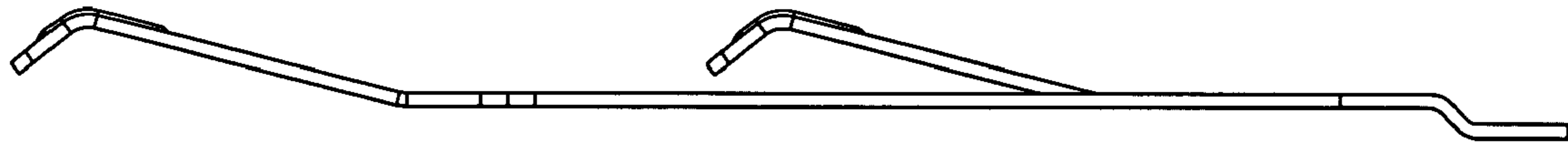


FIG. 4

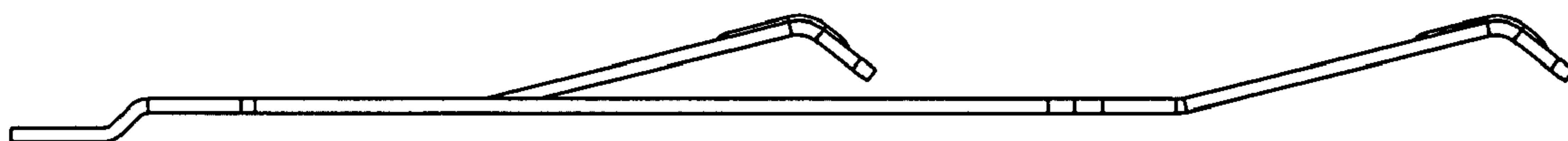


FIG. 5

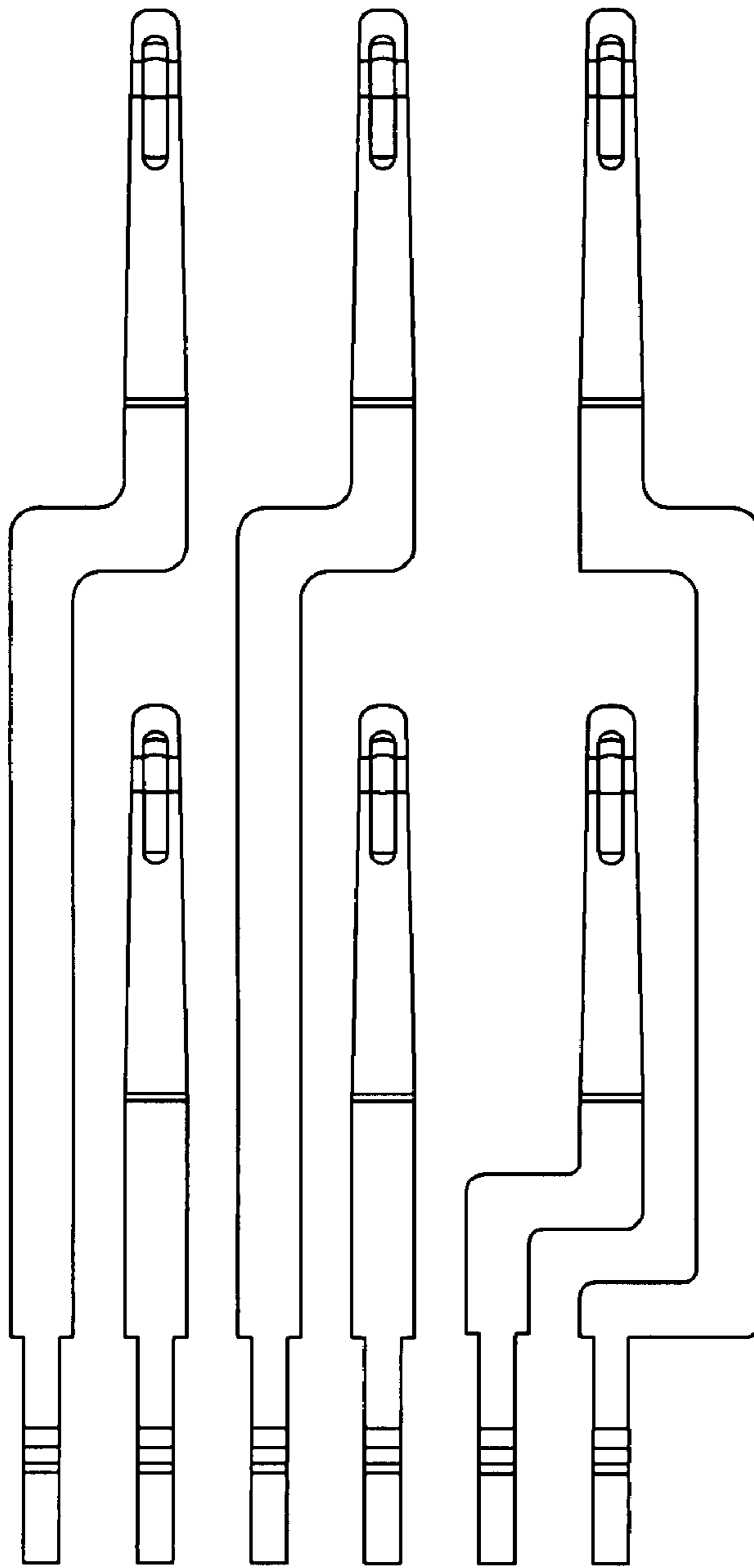


FIG. 6

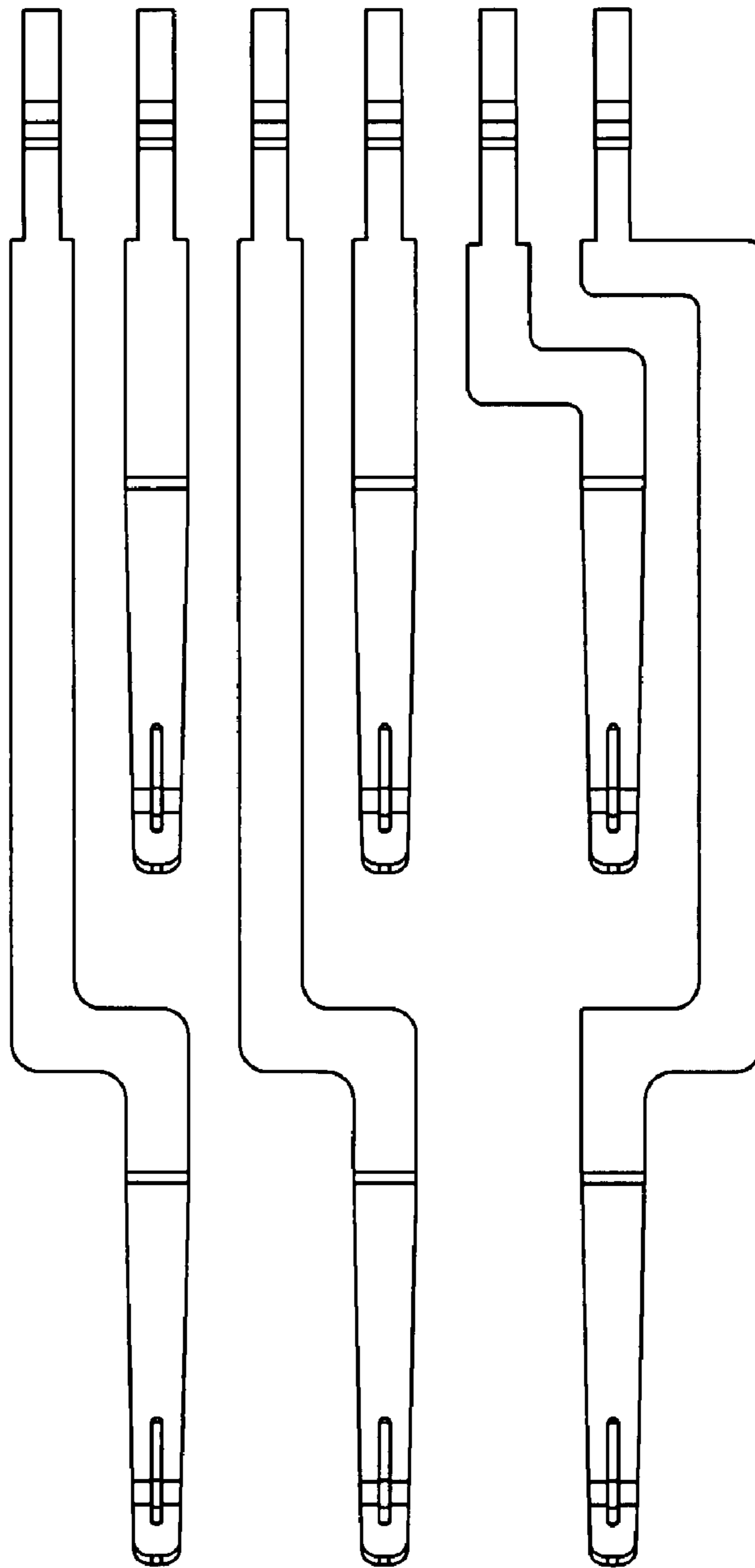


FIG. 7