



US00D578072S

(12) **United States Design Patent**
Hattori et al.

(10) **Patent No.:** **US D578,072 S**

(45) **Date of Patent:** **** Oct. 7, 2008**

(54) **FIBER HOLDER**

2008/0069501 A1* 3/2008 Mudd et al. 385/75

(75) Inventors: **Kazunari Hattori**, Kanagawa (JP);
Yutaka Ito, Kanagawa (JP)

* cited by examiner

(73) Assignee: **Sumitomo Electric Industries, Ltd.**,
Osaka (JP)

Primary Examiner—Prabhakar Deshmukh

Assistant Examiner—Thomas J Johannes

(74) *Attorney, Agent, or Firm*—McDermott Will & Emery
LLP

(**) Term: **14 Years**

(57) **CLAIM**

(21) Appl. No.: **29/274,222**

The ornamental design for a fiber holder, as shown and described.

(22) Filed: **Apr. 5, 2007**

(30) **Foreign Application Priority Data**

DESCRIPTION

Nov. 1, 2006 (JP) 2006-029988

FIG. 1 is a perspective view of the front, right and top of a fiber holder showing our new design;

(51) **LOC (8) Cl.** **13-03**

FIG. 2 is a front view thereof;

(52) **U.S. Cl.** **D13/149**

FIG. 3 is a rear view thereof;

(58) **Field of Classification Search** D13/133,
D13/138, 149, 184, 199; 385/137, 138, 78

FIG. 4 is a top plan view thereof;

See application file for complete search history.

FIG. 5 is a bottom view thereof;

(56) **References Cited**

FIG. 6 is a left side view thereof;

U.S. PATENT DOCUMENTS

FIG. 7 is a right side view thereof;

D234,695 S * 4/1975 Anderson D13/149

FIG. 8 is a perspective view in the condition of the lid being opened thereof;

D273,782 S * 5/1984 Feinbloom et al. D13/149

FIG. 9 is a perspective view of the usage thereof; and,

5,044,721 A * 9/1991 Nakamura 385/53

FIG. 10 is a perspective view in the usage condition of the lid position being changed thereof.

5,182,789 A * 1/1993 Nash-Stevenson et al. .. 385/137

The elements shown in broken lines are for illustrative purposes only and form no part of the claimed design.

D385,849 S * 11/1997 Mathews et al. D13/133

D434,008 S * 11/2000 Kovach et al. D13/149

6,377,743 B1 * 4/2002 Ueda et al. 385/137

D464,318 S * 10/2002 Togashi D13/133

6,618,542 B2 * 9/2003 Wu et al. 385/138

2003/0123836 A1 * 7/2003 Fujisawa et al. 385/137

1 Claim, 4 Drawing Sheets

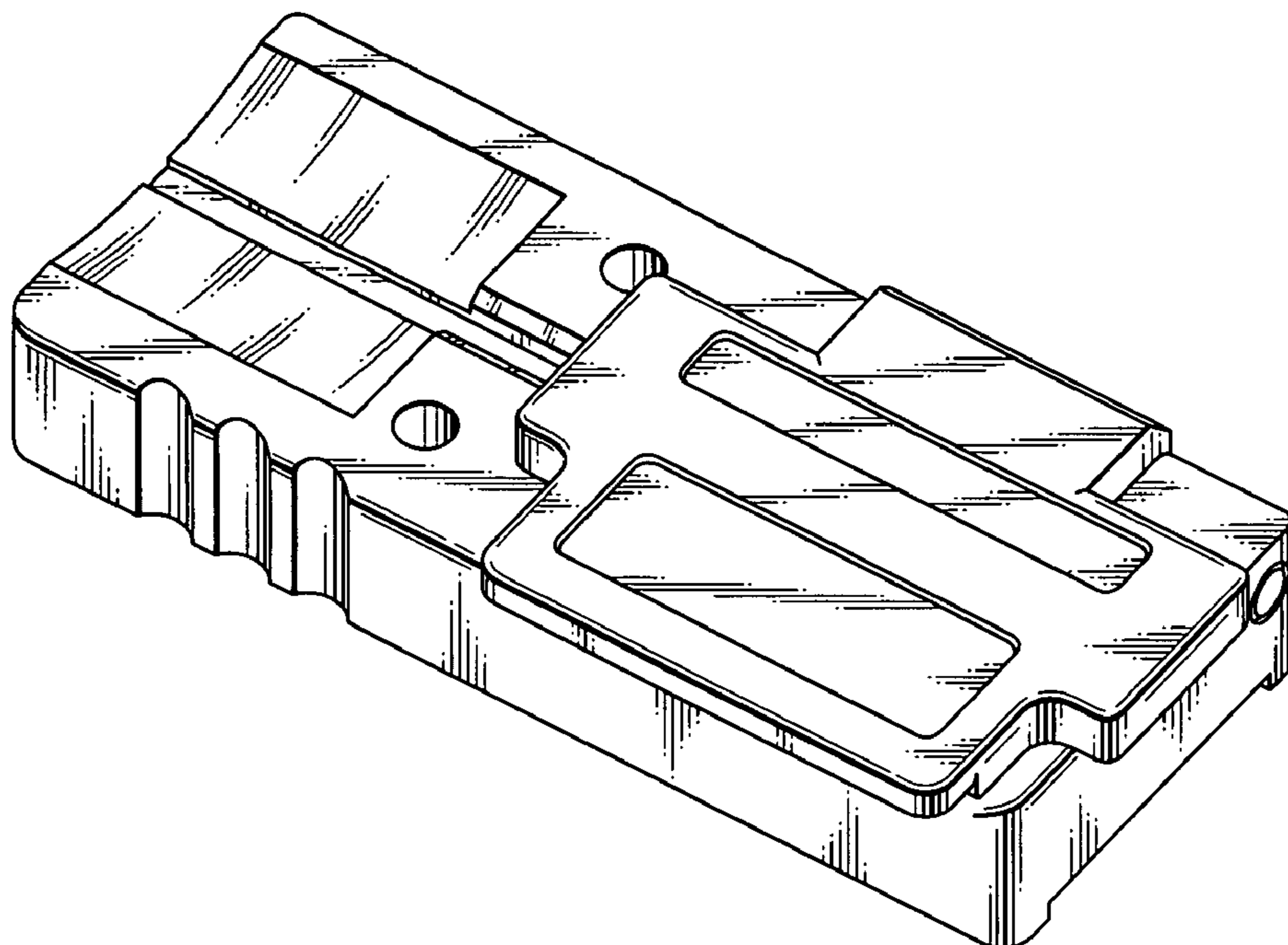


FIG.1

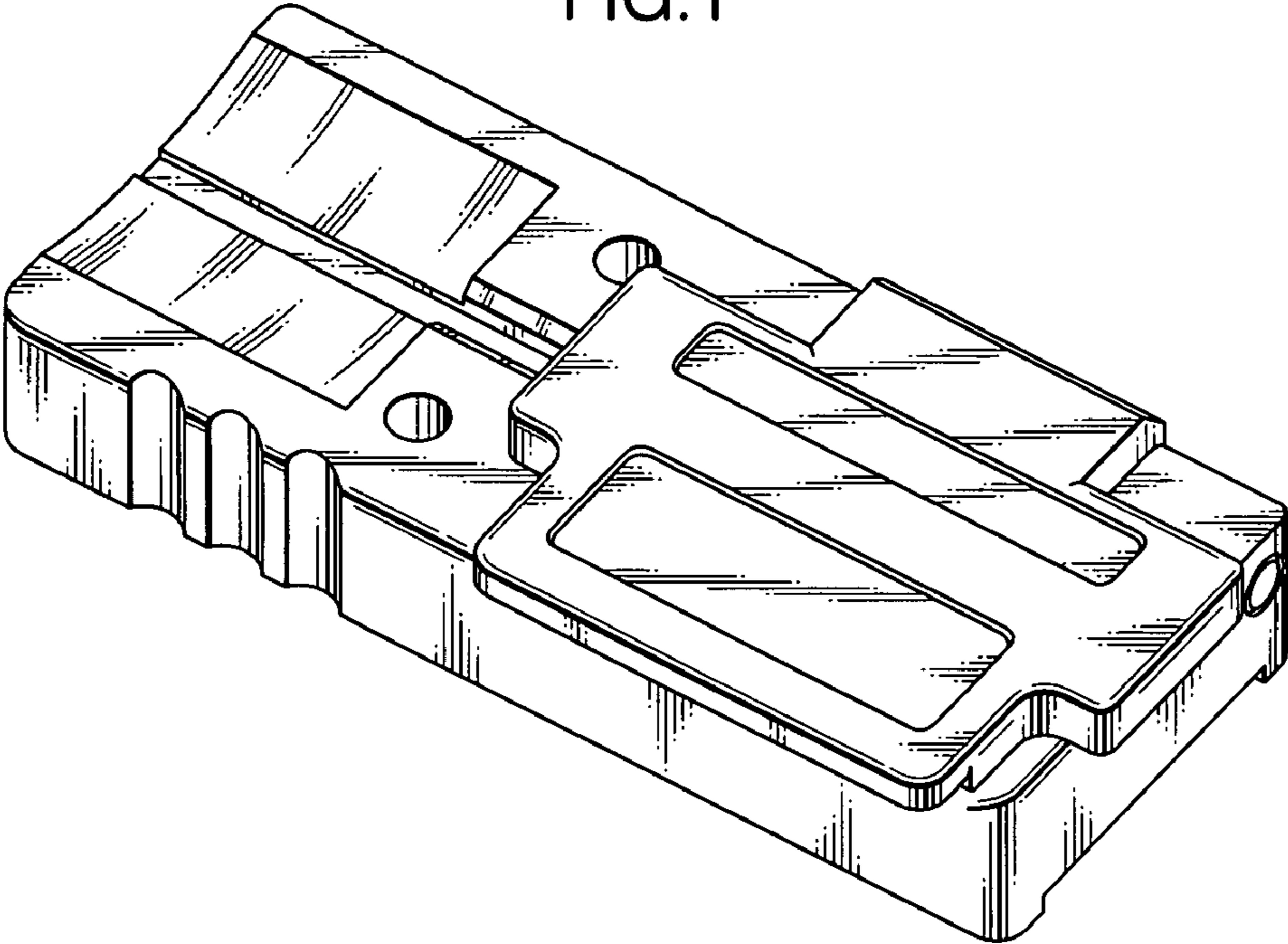


FIG.2

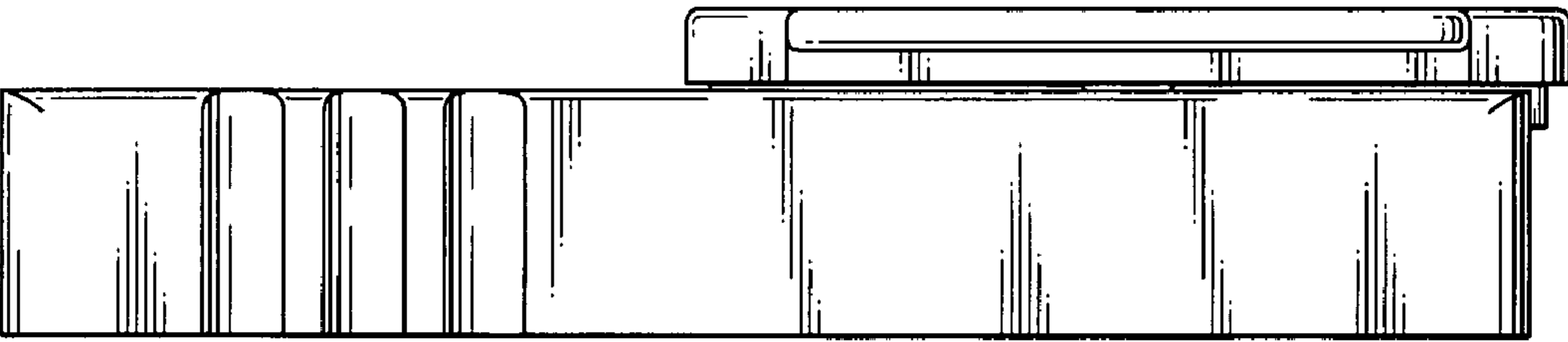


FIG.3

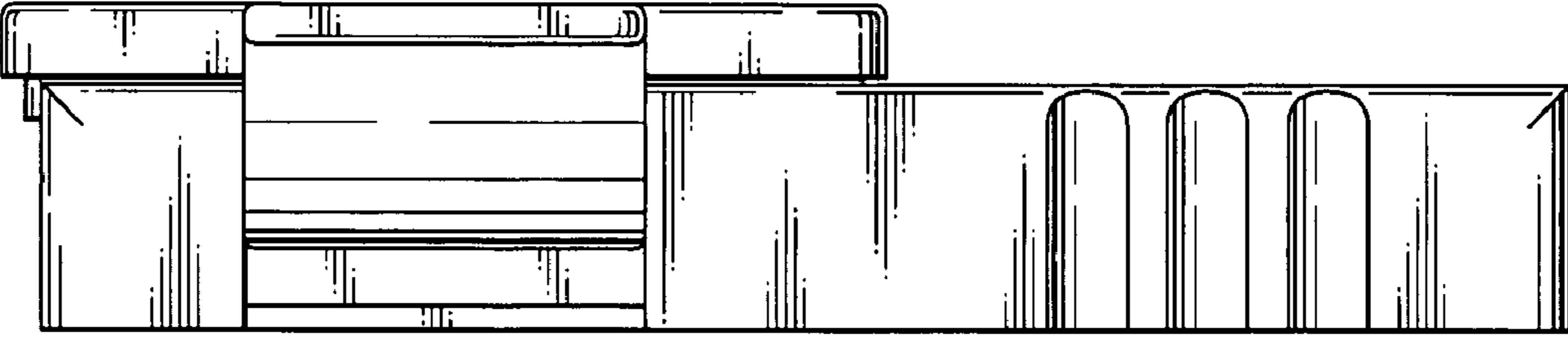


FIG.4

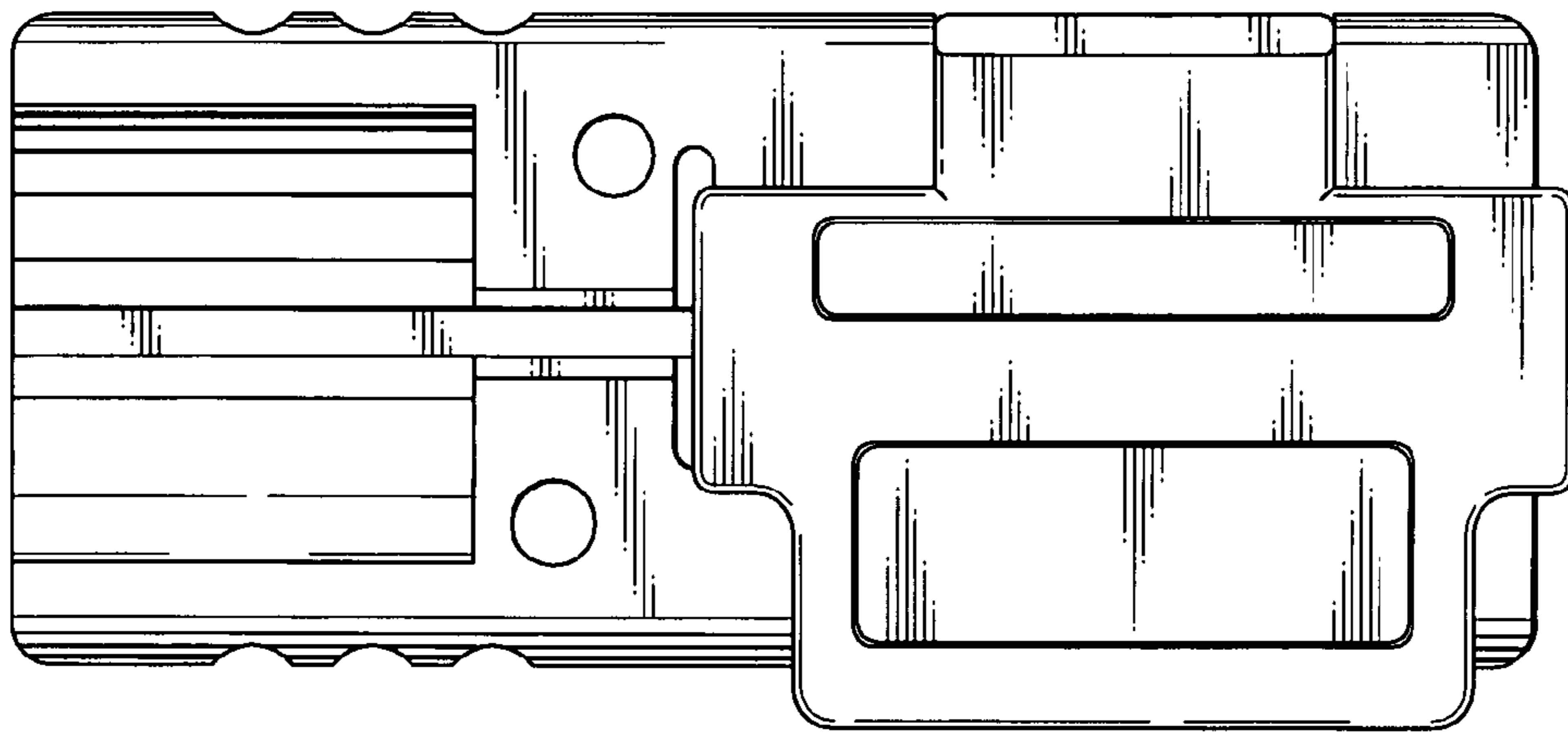


FIG.5

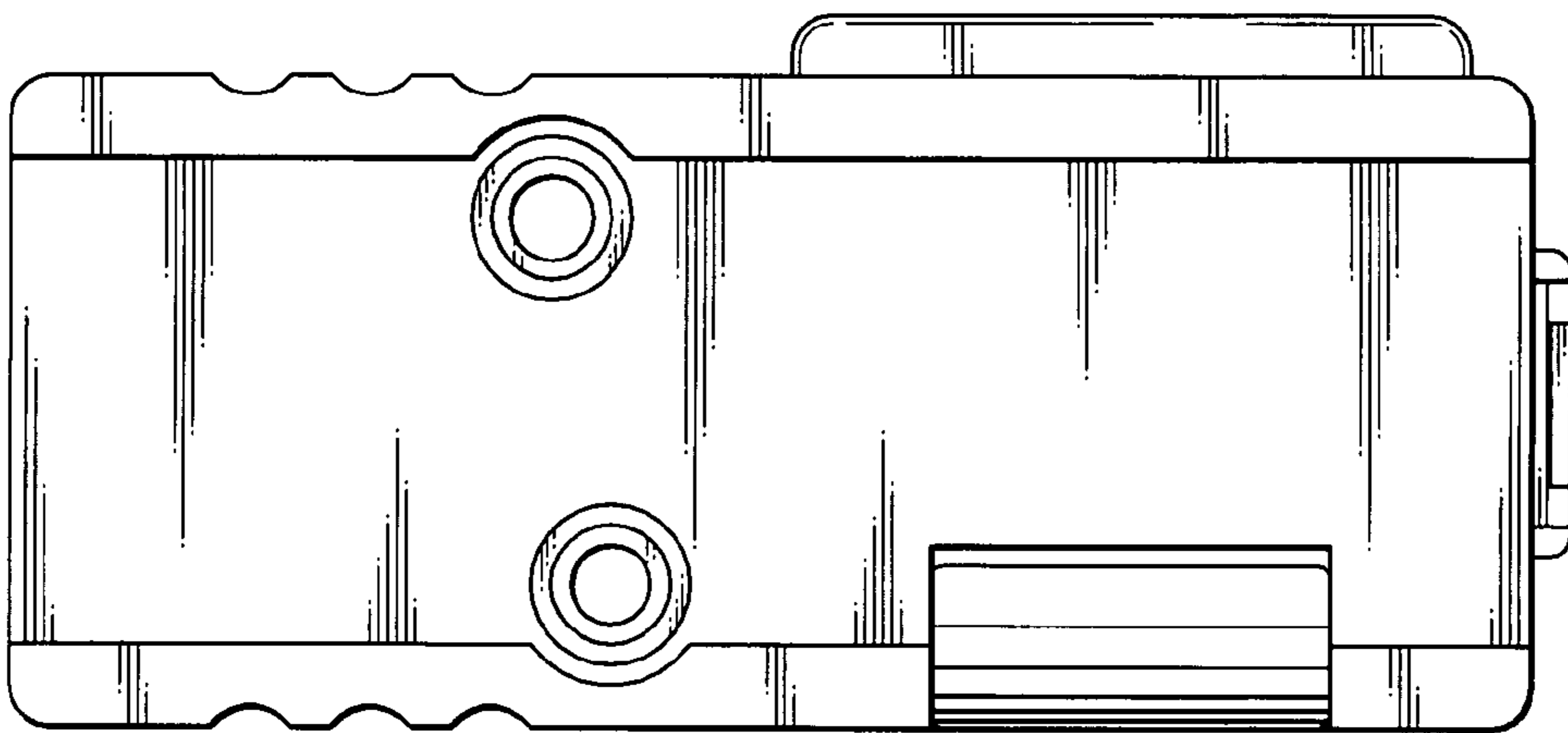


FIG.6

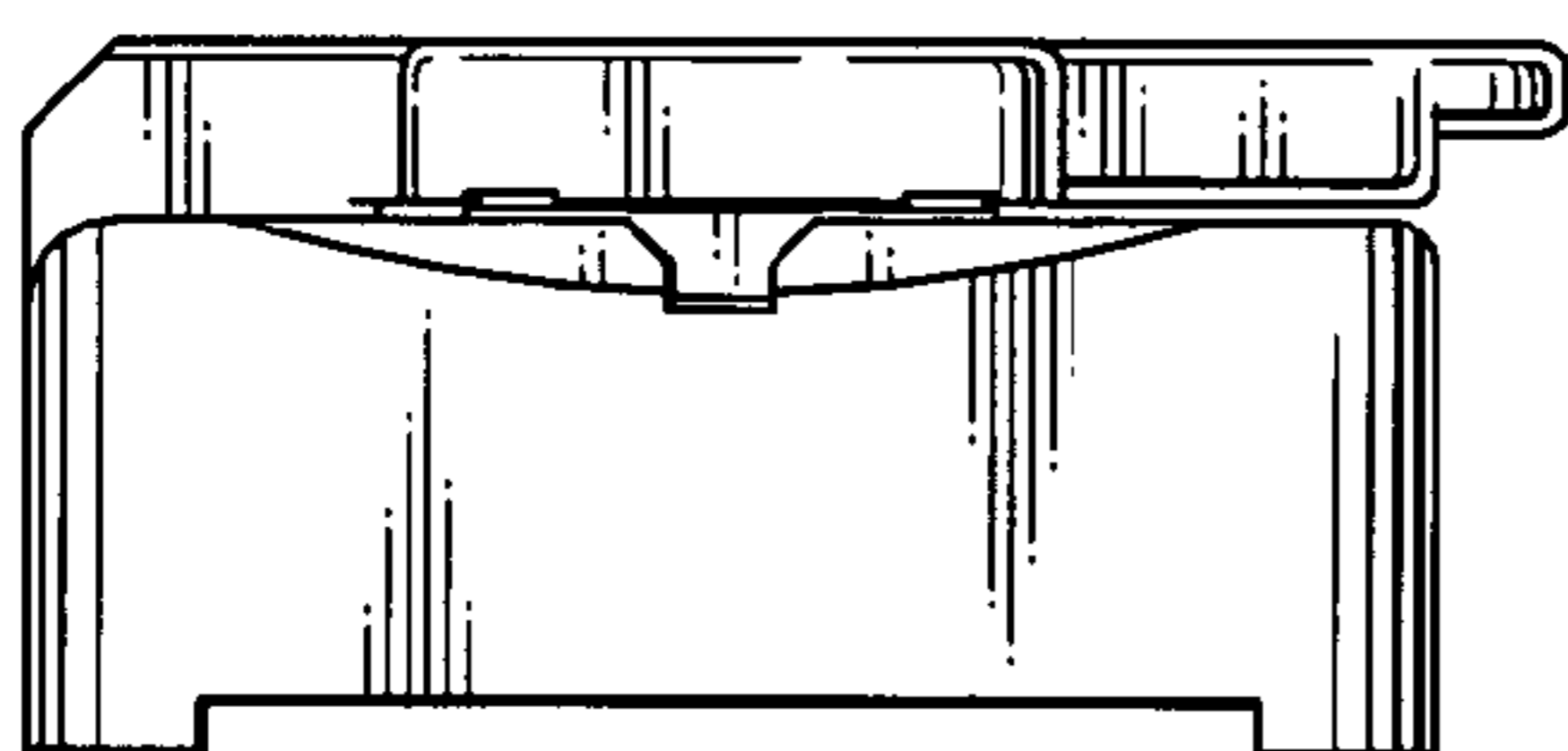


FIG.7

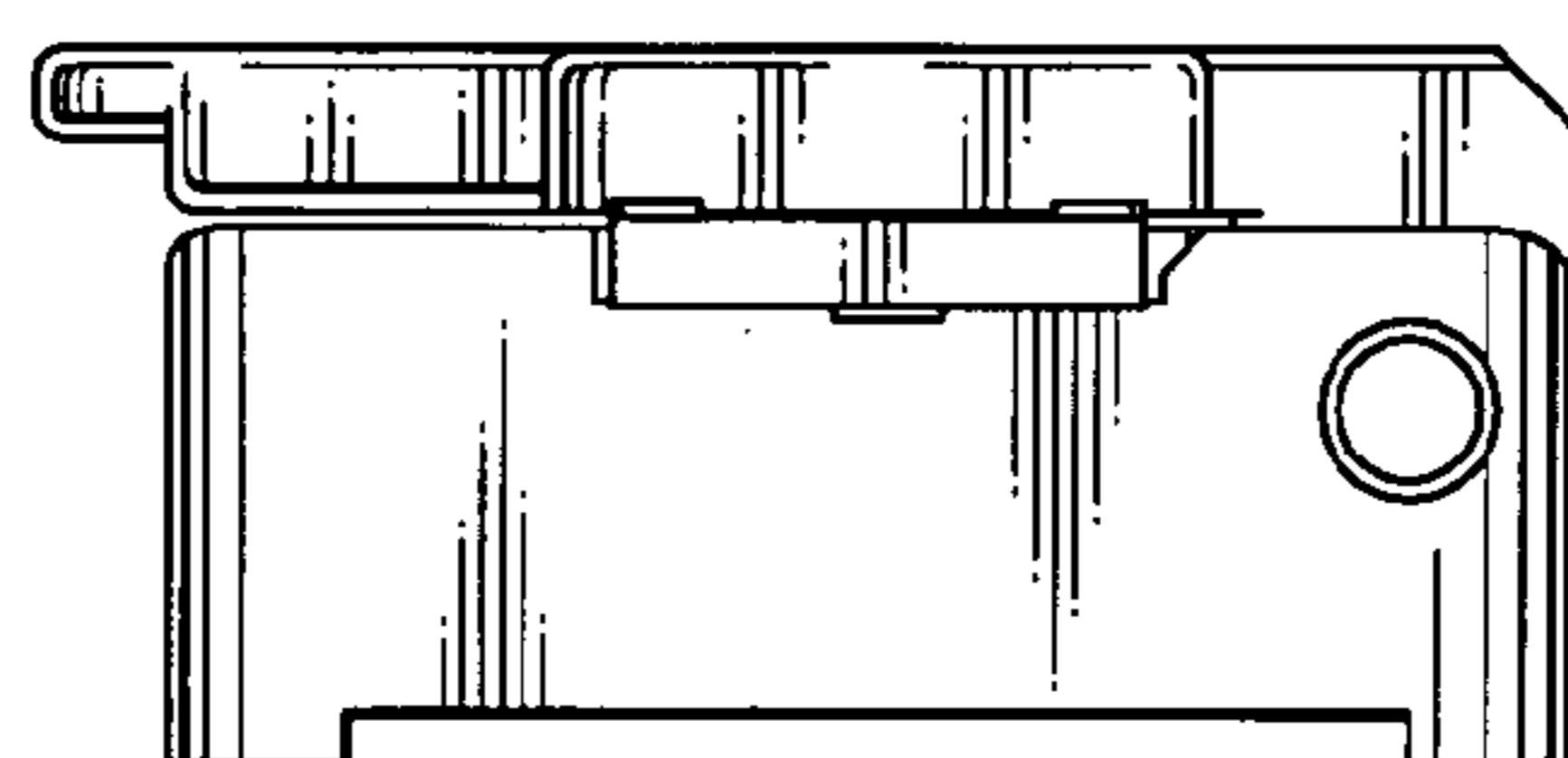


FIG.8

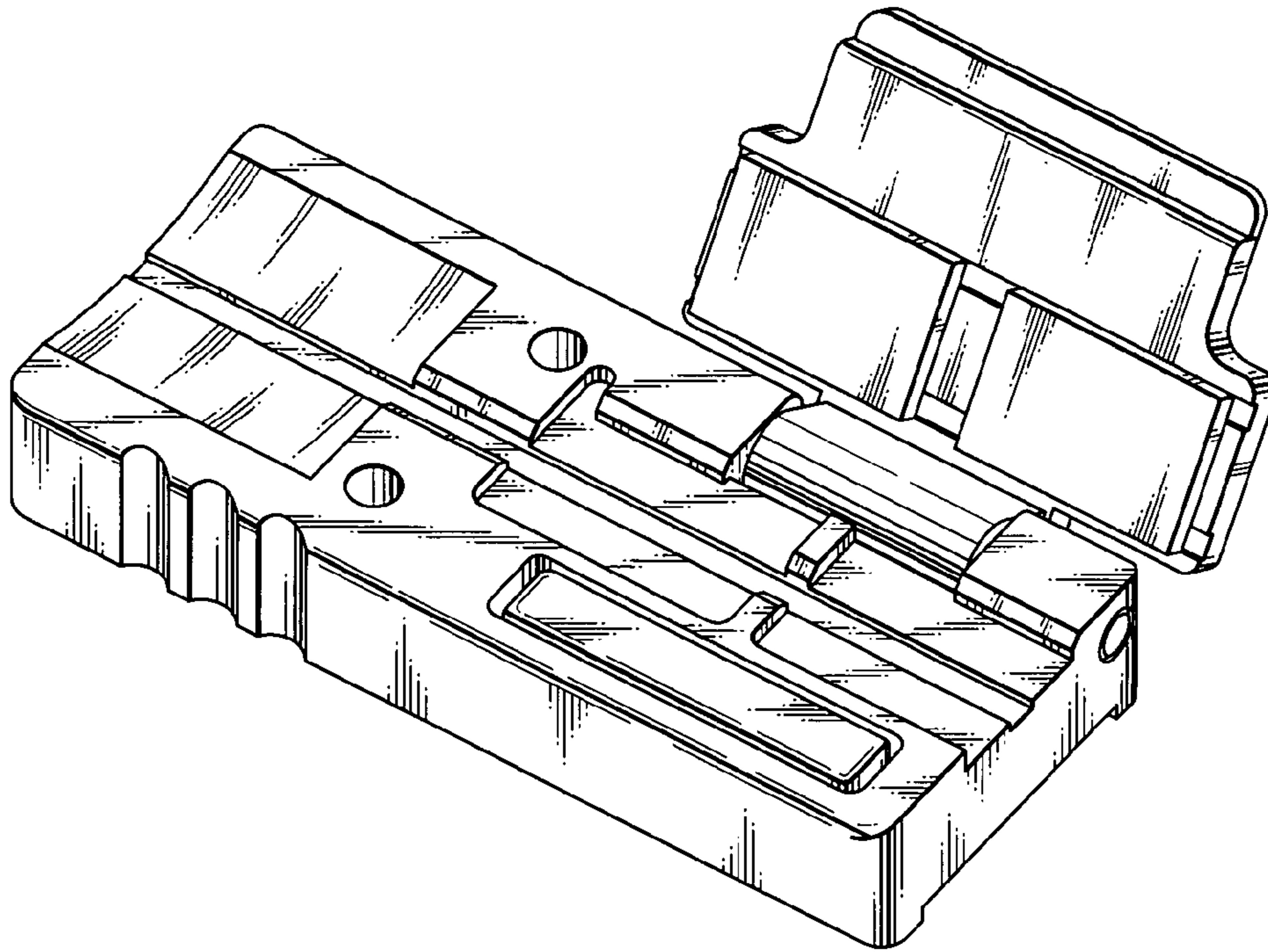


FIG.9

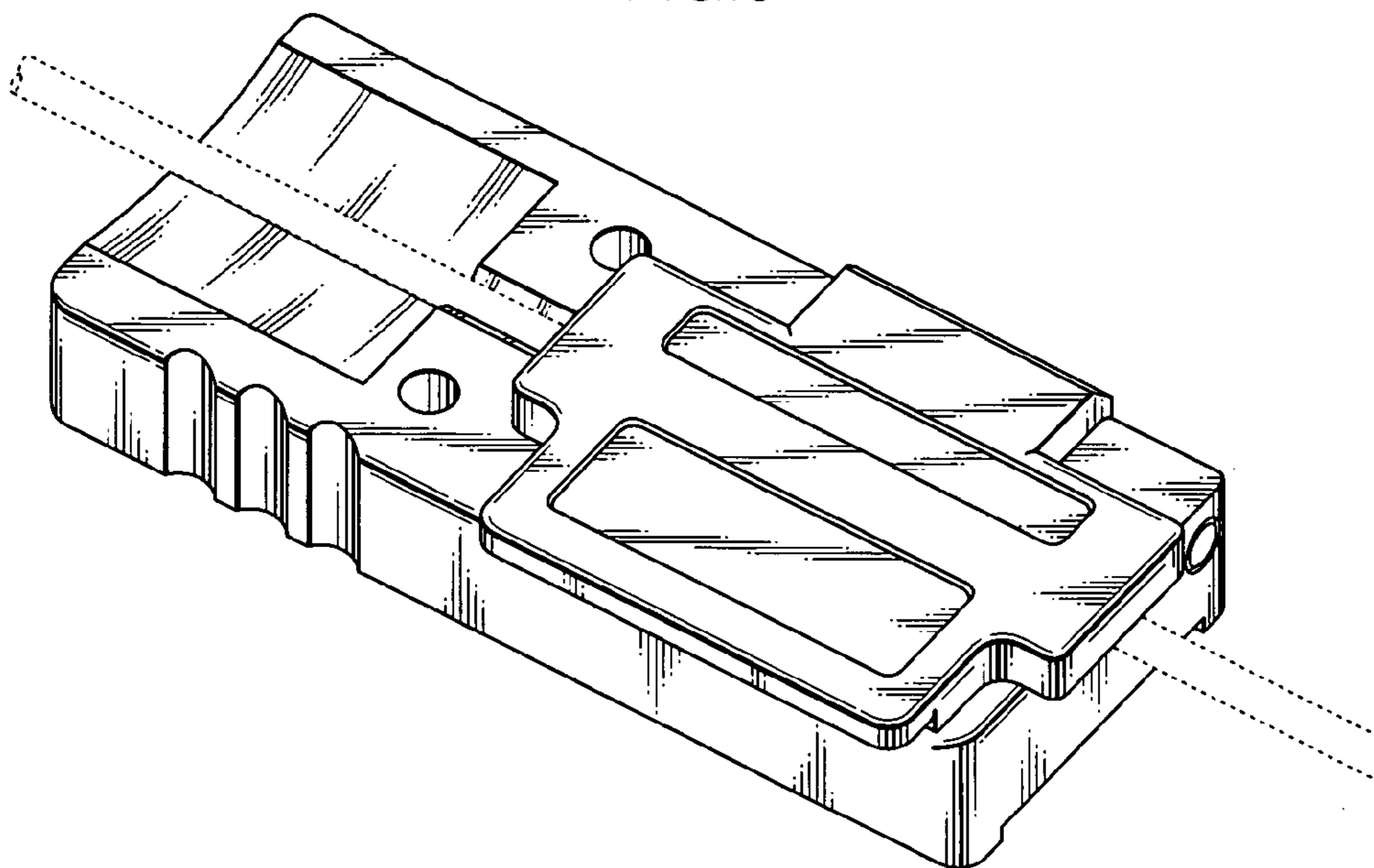


FIG.10

