



US00D578071S

(12) **United States Design Patent**  
**Shen et al.**

(10) **Patent No.:** **US D578,071 S**  
(45) **Date of Patent:** **\*\* Oct. 7, 2008**

(54) **ELECTRICAL CONNECTOR**

D555,103 S \* 11/2007 Iino et al. .... D13/147

(75) Inventors: **Guo-Jian Shen**, Kunshan (CN);  
**Ren-Chih Li**, Tu-Cheng (TW);  
**Xiao-Ming Zhang**, Kunshan (CN)

\* cited by examiner

*Primary Examiner*—Daniel D Bui  
(74) *Attorney, Agent, or Firm*—Wei Te Chung

(73) Assignee: **Hon Hai Precision Ind. Co., Ltd.**,  
Taipei Hsien (TW)

(57) **CLAIM**

(\*\*) Term: **14 Years**

The ornamental design for an electrical connector, as shown and described.

(21) Appl. No.: **29/291,743**

**DESCRIPTION**

(22) Filed: **Sep. 12, 2007**

FIG. 1 is a front, top and right side perspective view of an electrical connector showing our new design;

(51) **LOC (8) Cl.** ..... **13-03**

FIG. 2 is a front elevational view thereof;

(52) **U.S. Cl.** ..... **D13/147**

FIG. 3 is a rear elevational view thereof;

(58) **Field of Classification Search** ..... D13/146–147,  
D13/154, 184; 439/79, 607–610, 660, 680–682,  
439/686

FIG. 4 is a left side elevational view thereof;

FIG. 5 is a right side elevational view thereof;

See application file for complete search history.

FIG. 6 is a top plan view thereof;

FIG. 7 is a bottom plan view thereof; and,

FIG. 8 is a rear, top and left side perspective view thereof.

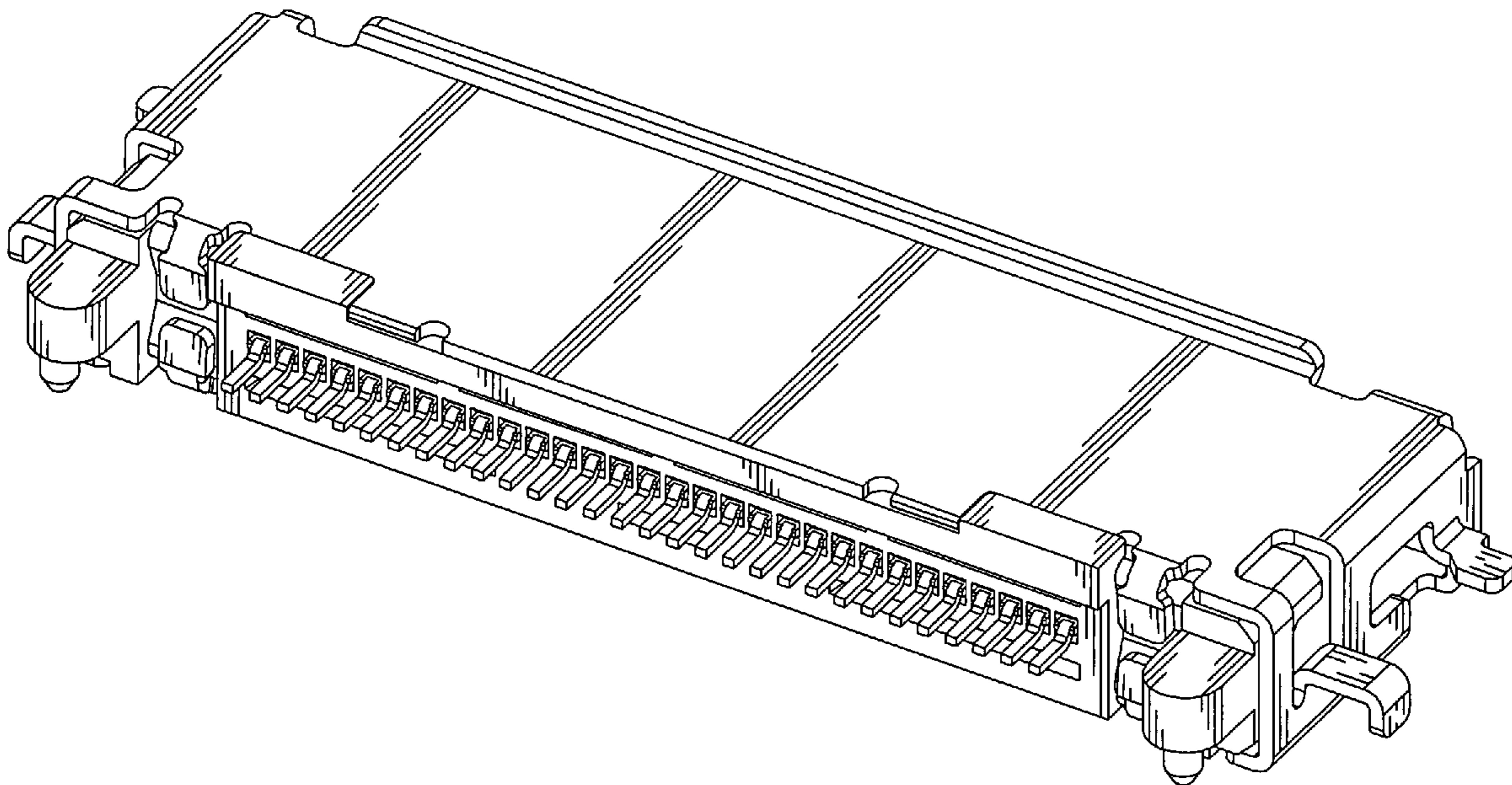
(56) **References Cited**

**U.S. PATENT DOCUMENTS**

D351,136 S	*	10/1994	Kurata	.....	D13/147
D416,863 S	*	11/1999	Sato et al.	.....	D13/147
D416,865 S	*	11/1999	Chiou	.....	D13/147
D465,202 S	*	11/2002	Kubota	.....	D13/147
D552,554 S	*	10/2007	Lin et al.	.....	D13/147

The broken line portion in FIGS. 3 and 7 is included to show unclaimed subject matter only and forms no part of the claimed design.

**1 Claim, 7 Drawing Sheets**



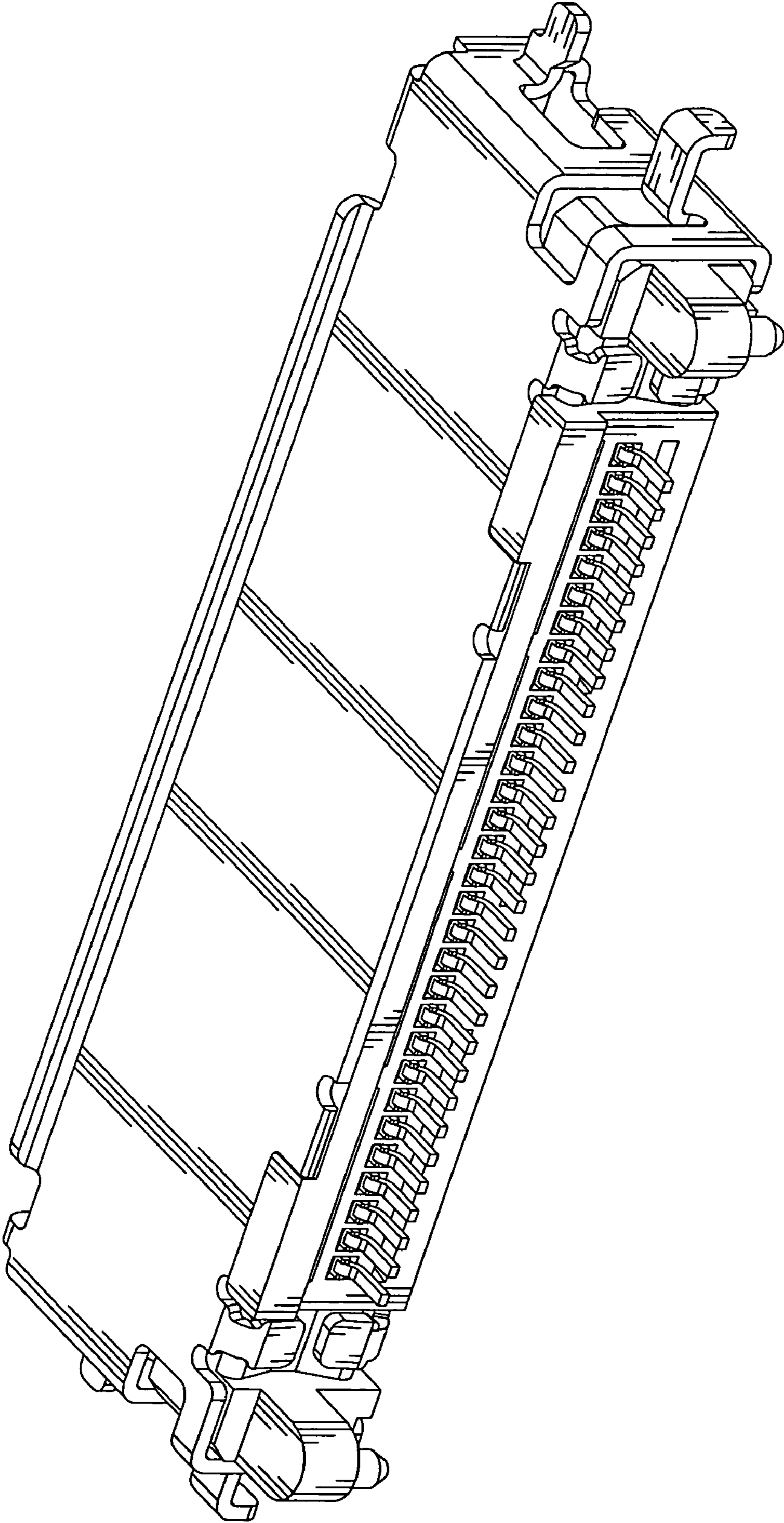


FIG. 1

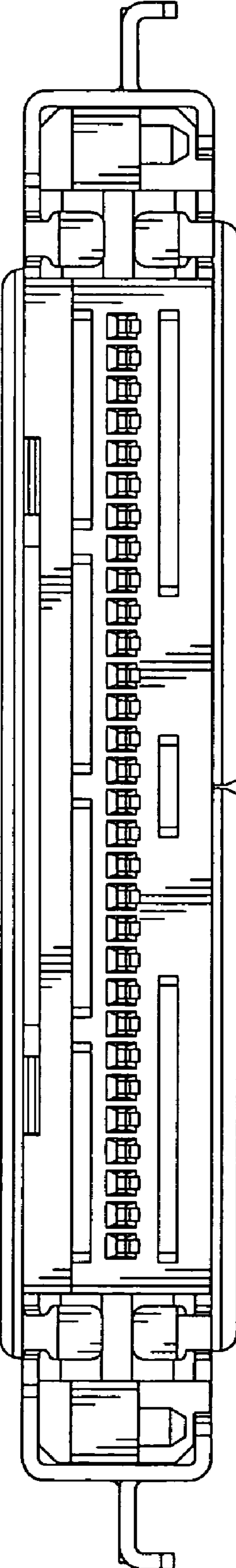


FIG. 2

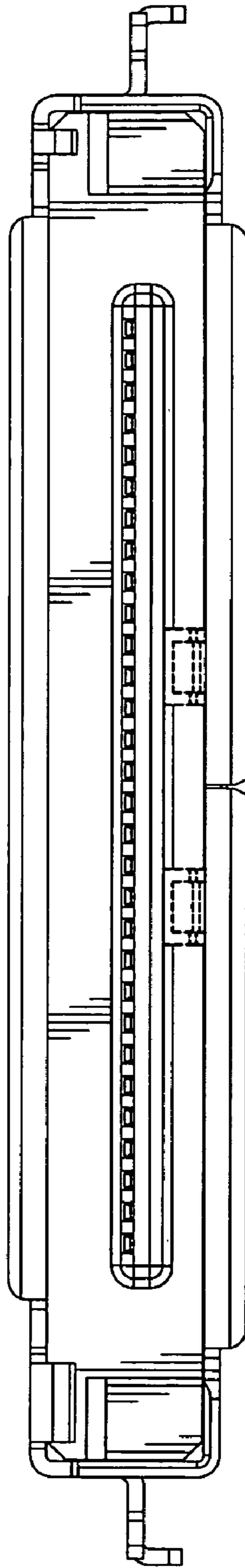


FIG. 3

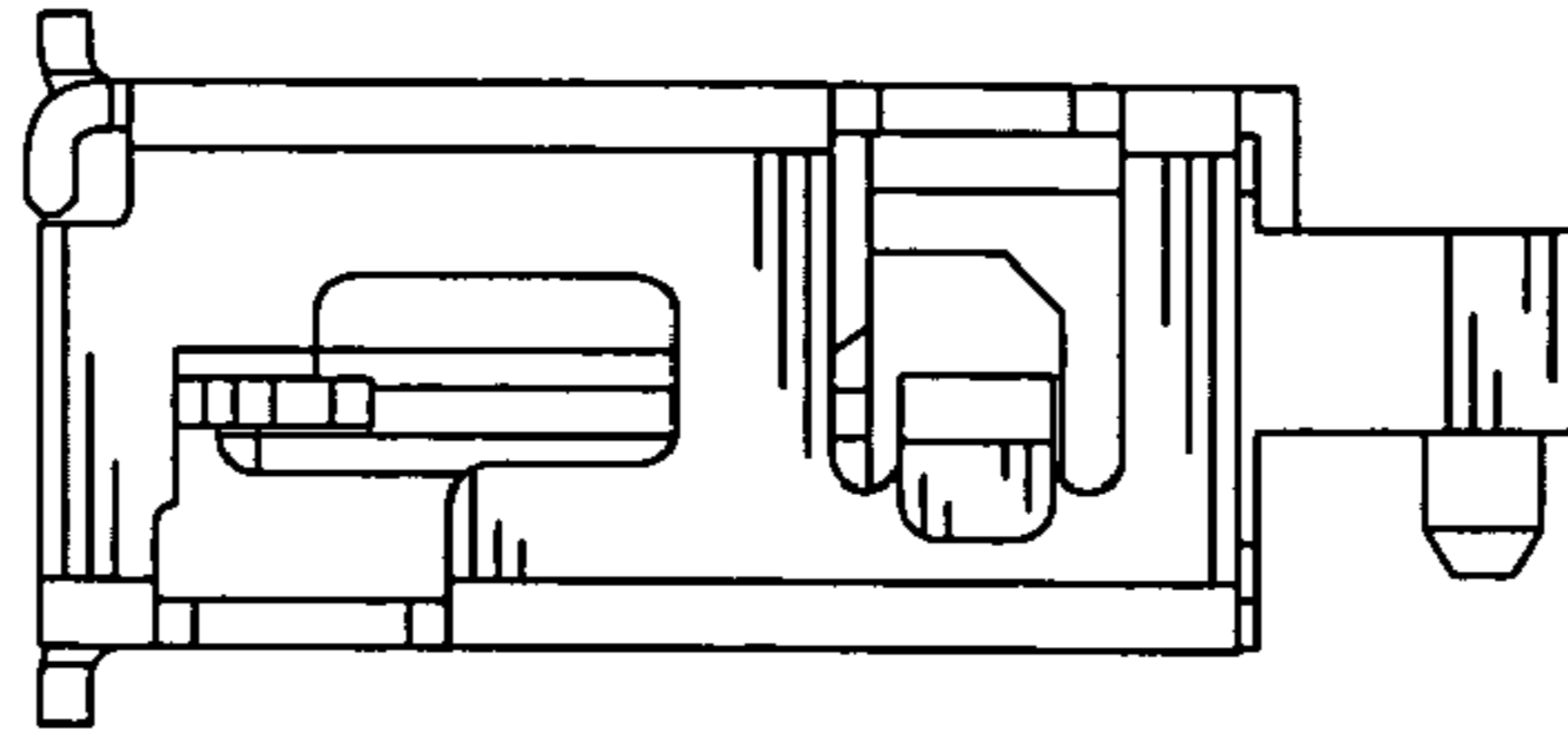


FIG. 4

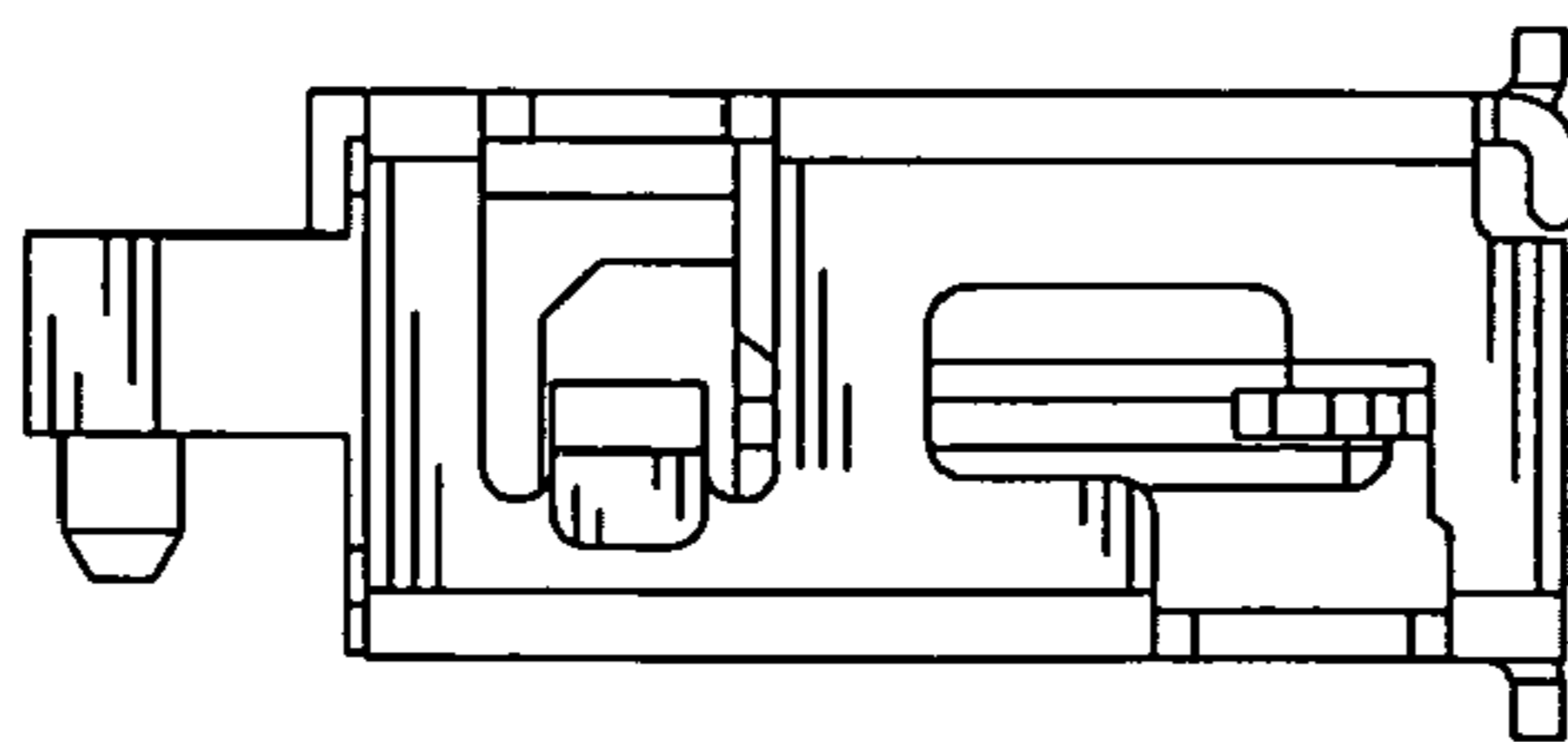


FIG. 5

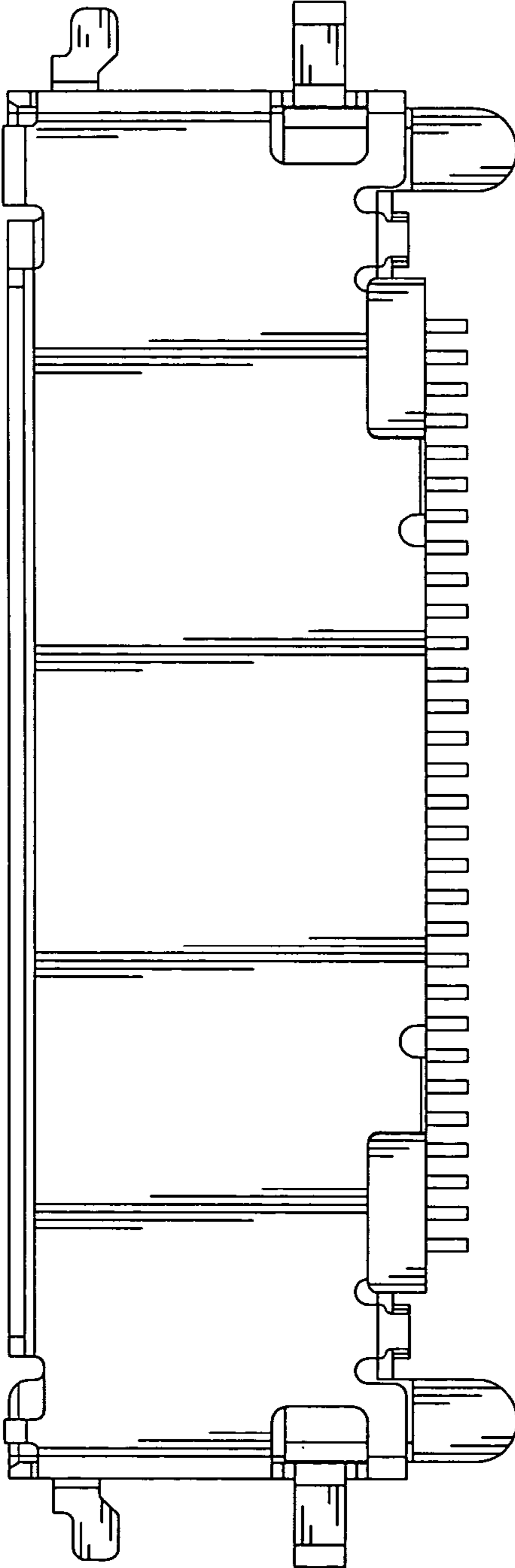


FIG. 6



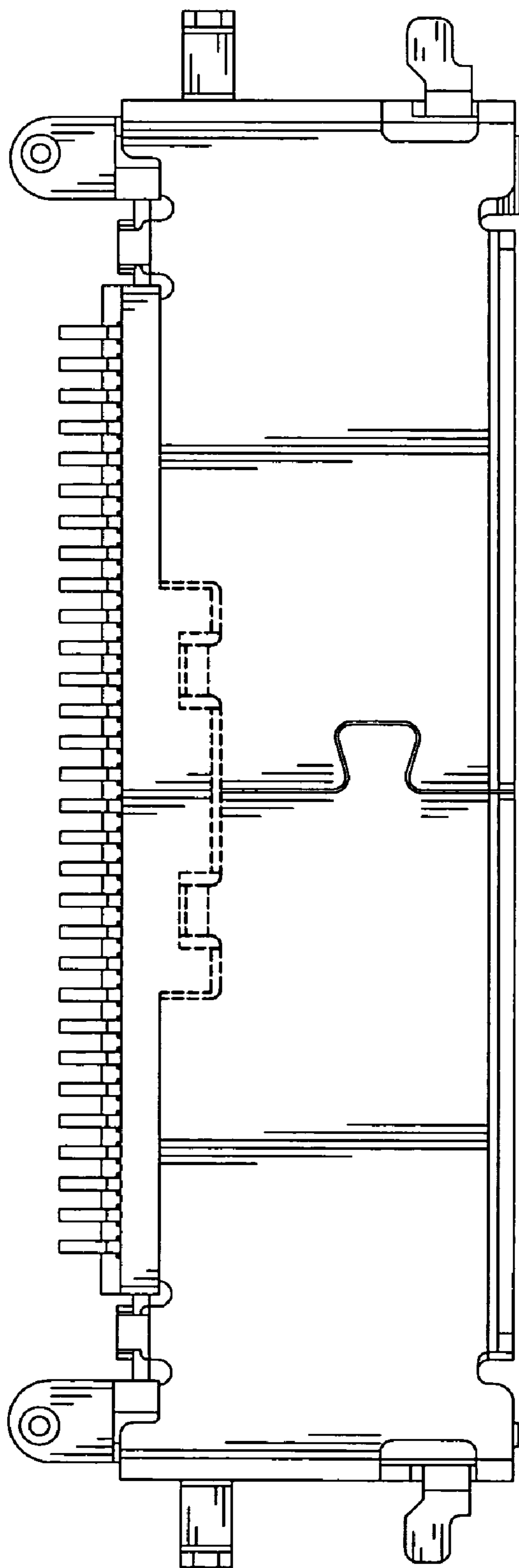


FIG. 7

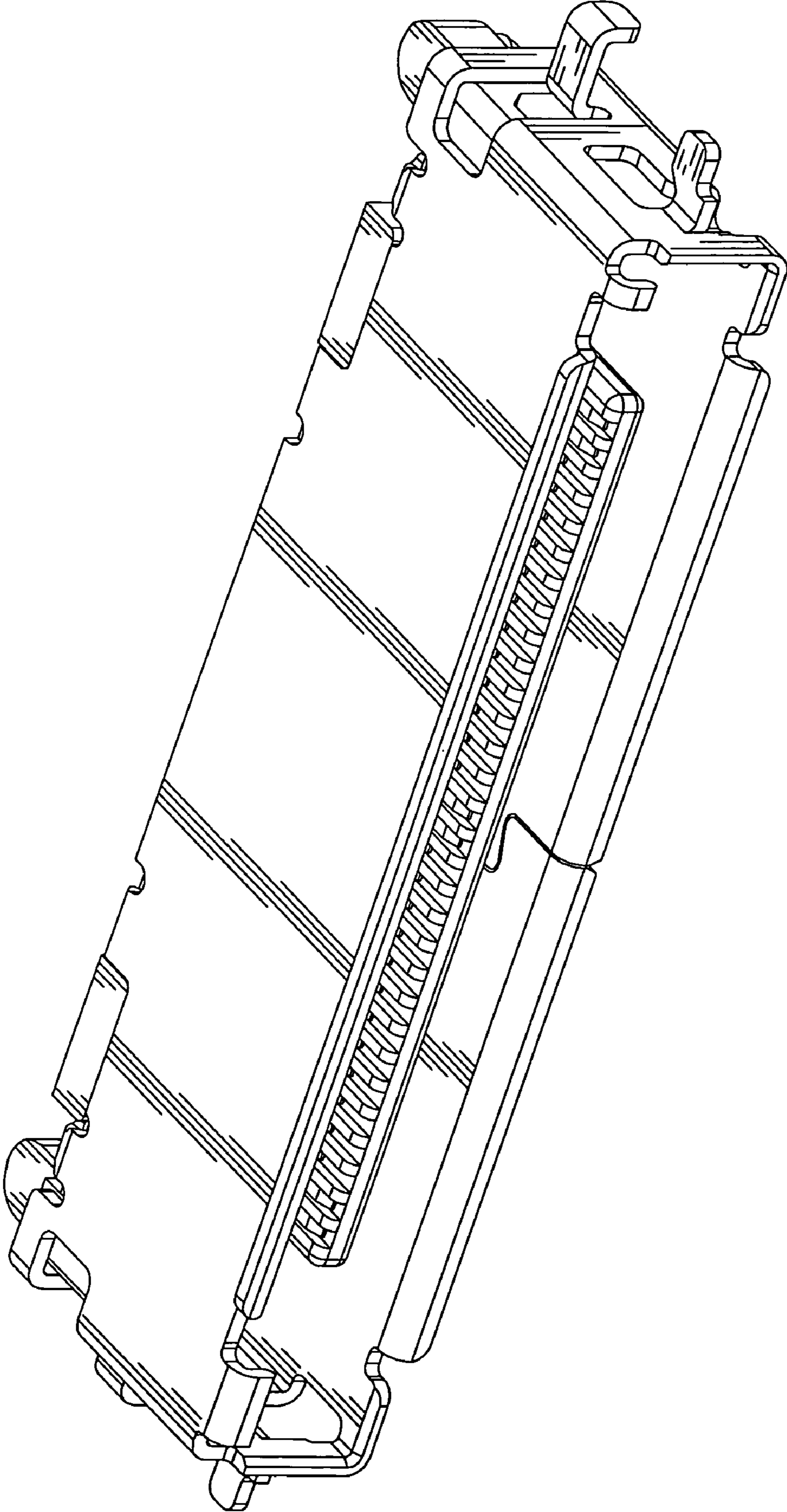


FIG. 8