

US00D578070S

(12) **United States Design Patent**
Shen et al.

(10) **Patent No.:** **US D578,070 S**

(45) **Date of Patent:** **** Oct. 7, 2008**

(54) **CABLE CONNECTOR**

(75) Inventors: **Guo-Jian Shen**, Kunshan (CN); **Koichi Iino**, Yokohama (JP)

(73) Assignee: **Hon Hai Precision Ind. Co., Ltd.**,
Taipei Hsien (TW)

(**) Term: **14 Years**

(21) Appl. No.: **29/291,560**

(22) Filed: **Sep. 5, 2007**

(30) **Foreign Application Priority Data**

Mar. 5, 2007 (CN) 2007 3 0028252

(51) **LOC (8) Cl.** **13-03**

(52) **U.S. Cl.** **D13/147**

(58) **Field of Classification Search** D13/147,
D13/153, 154, 184; 439/350, 352, 353, 358,
439/445, 455, 607, 608, 609, 610, 660, 676,
439/680, 682, 731

See application file for complete search history.

(56) **References Cited**

U.S. PATENT DOCUMENTS

D379,968 S * 6/1997 Tan et al. D13/147

D409,148 S * 5/1999 Yotsutani et al. D13/147

D409,982 S * 5/1999 Sato et al. D13/147
D412,154 S * 7/1999 Lok D13/147
D415,108 S * 10/1999 Arai D13/147
D416,230 S * 11/1999 Narumo et al. D13/147
D416,540 S * 11/1999 Sato et al. D13/147
D422,560 S * 4/2000 Lok D13/147
D437,291 S * 2/2001 Ohtani D13/147
D447,467 S * 9/2001 Hisada et al. D13/147
D531,127 S * 10/2006 Zhong et al. D13/147

* cited by examiner

Primary Examiner—Daniel D Bui

(74) *Attorney, Agent, or Firm*—Wei Te Chung

(57) **CLAIM**

The ornamental design for a cable connector, as shown.

DESCRIPTION

FIG. 1 is a front, top and right side perspective view of a cable connector showing our new design;

FIG. 2 is a front elevational view thereof;

FIG. 3 is a rear elevational view thereof;

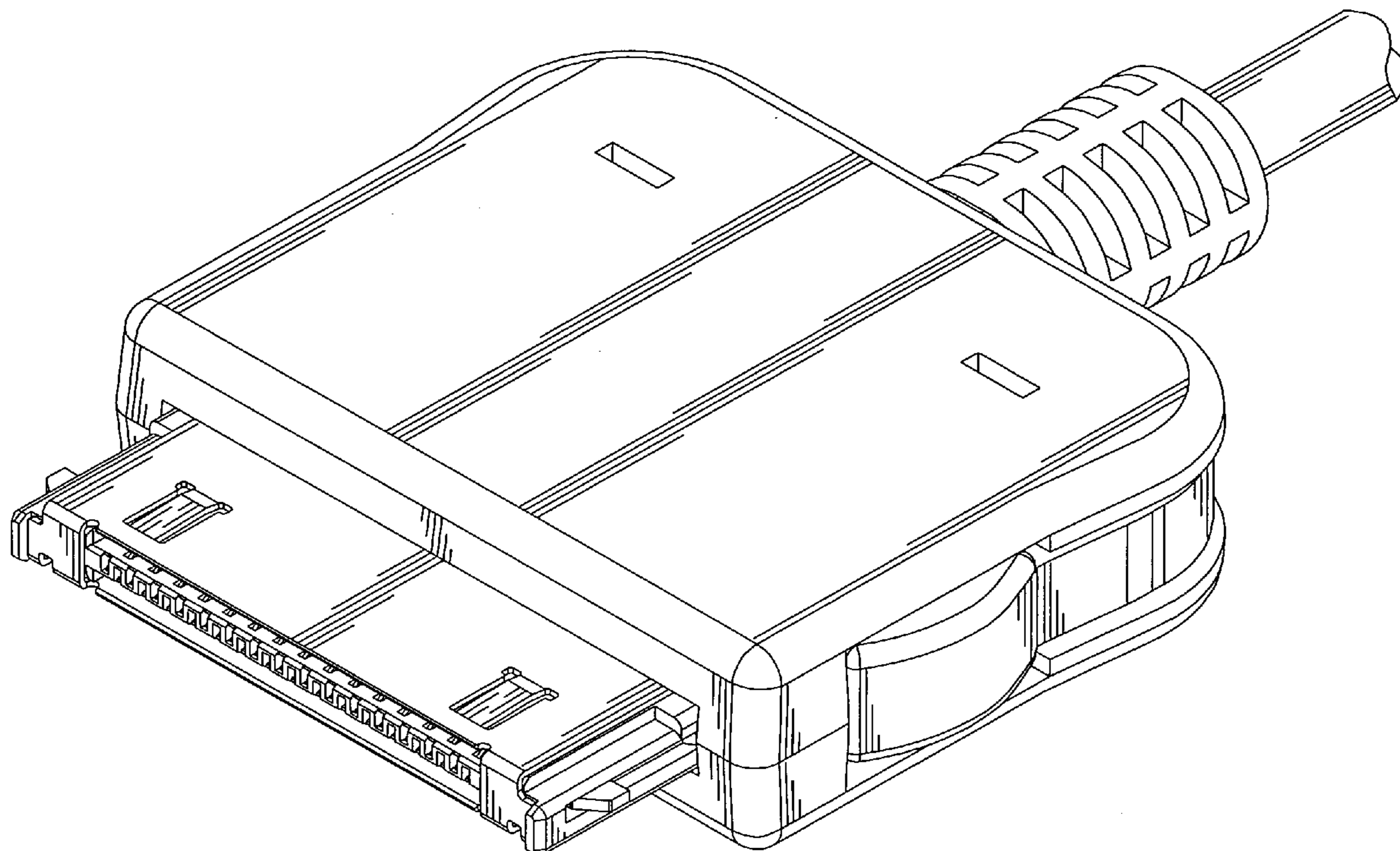
FIG. 4 is a left side elevational view thereof;

FIG. 5 is a right side elevational view thereof;

FIG. 6 is a top plan view thereof; and,

FIG. 7 is a bottom plan view thereof.

1 Claim, 7 Drawing Sheets



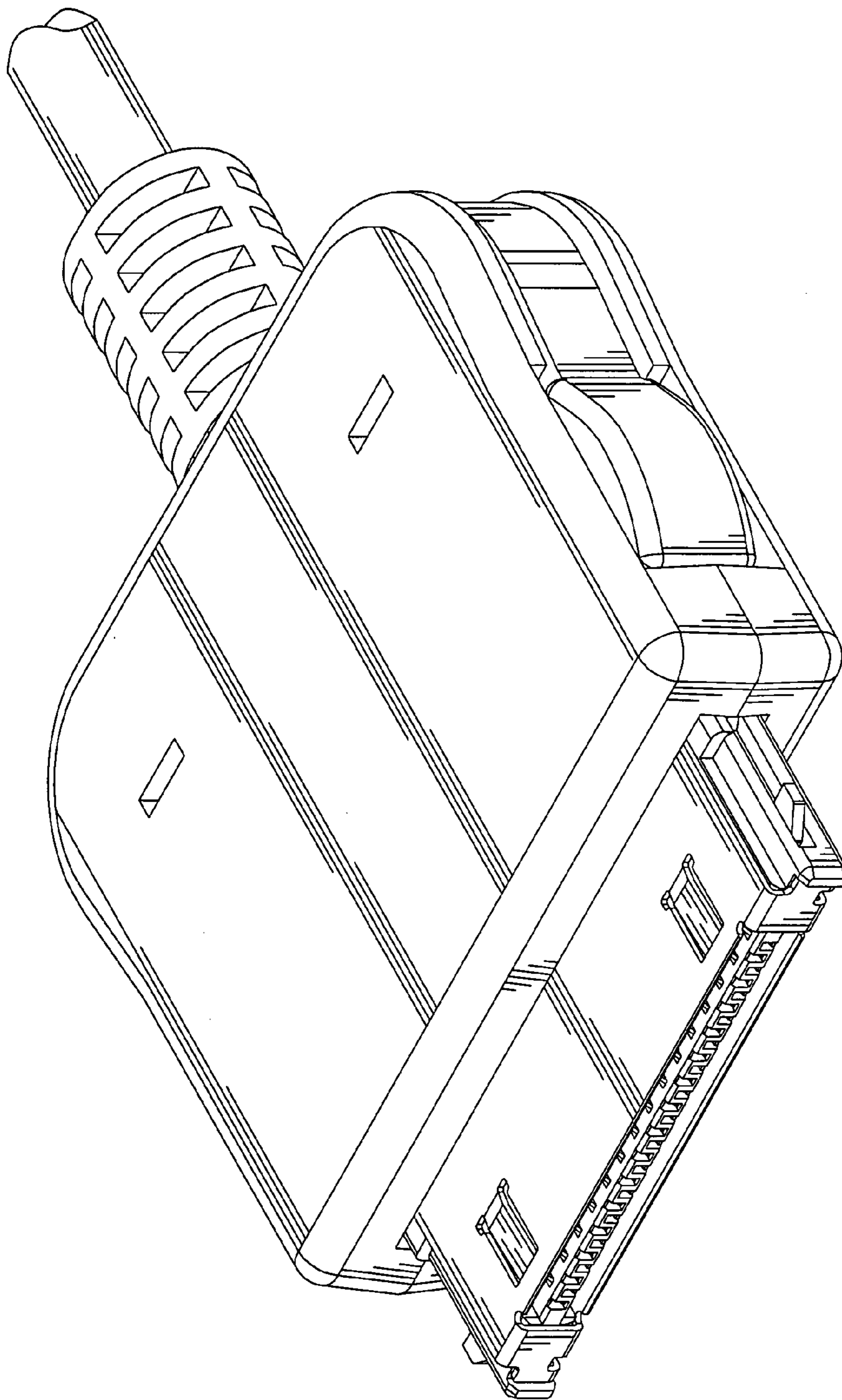


FIG. 1

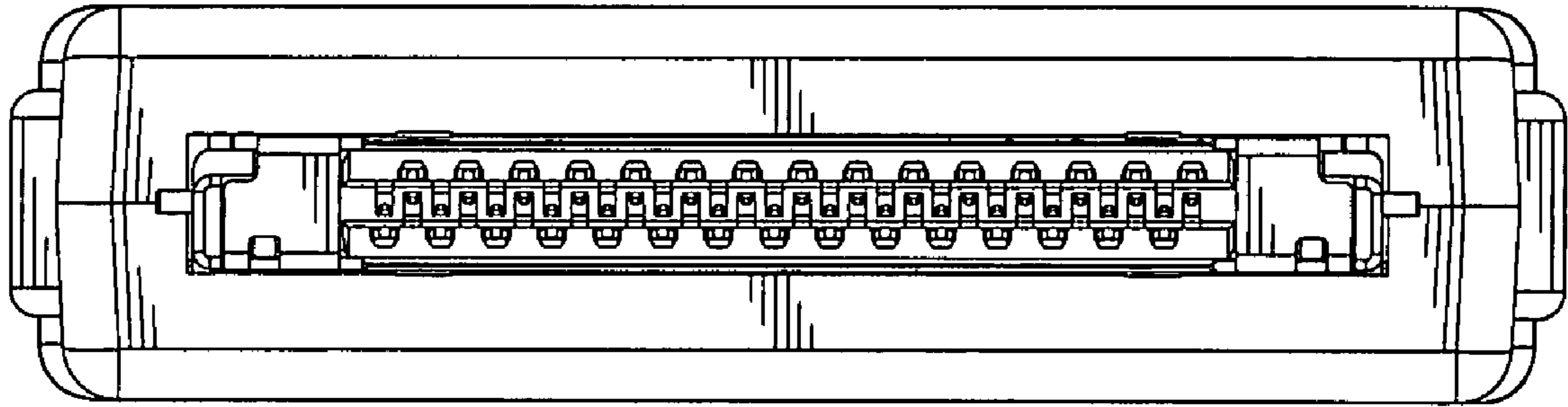


FIG. 2

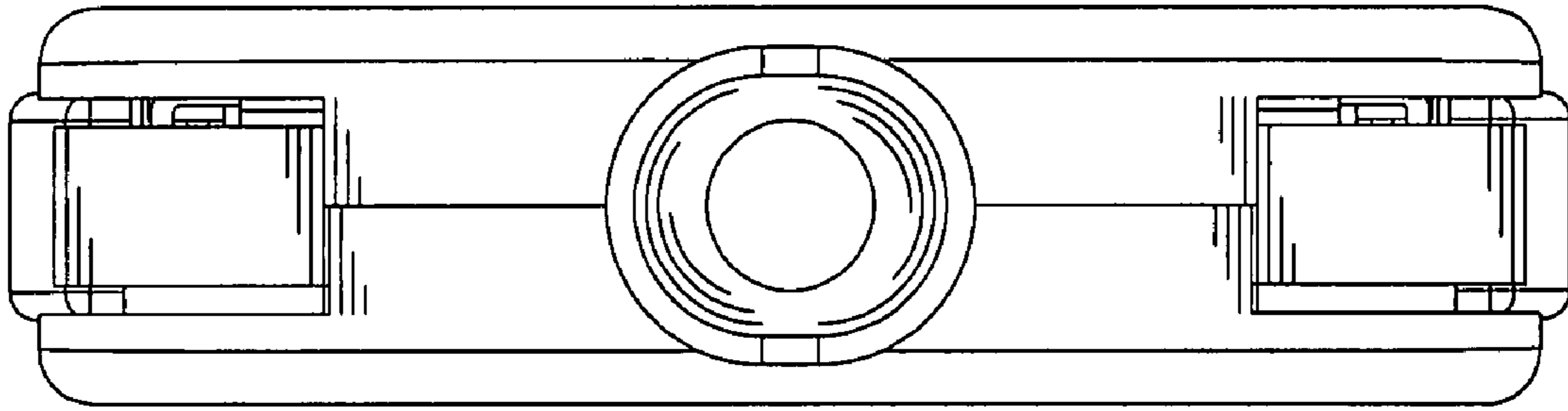


FIG. 3

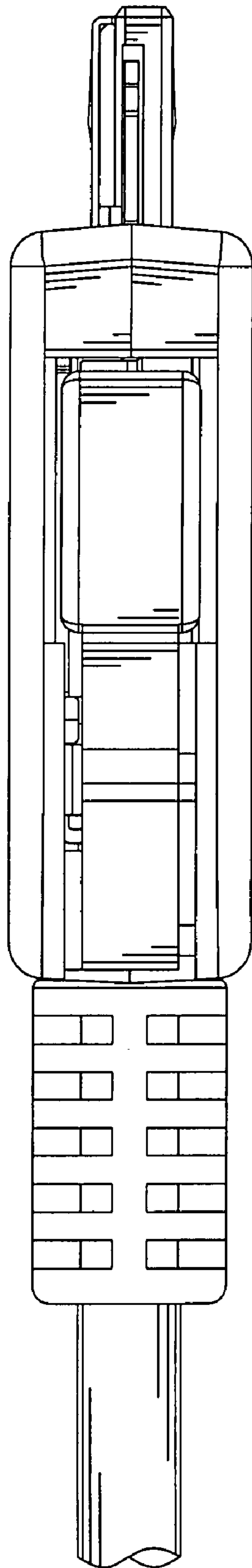


FIG. 4

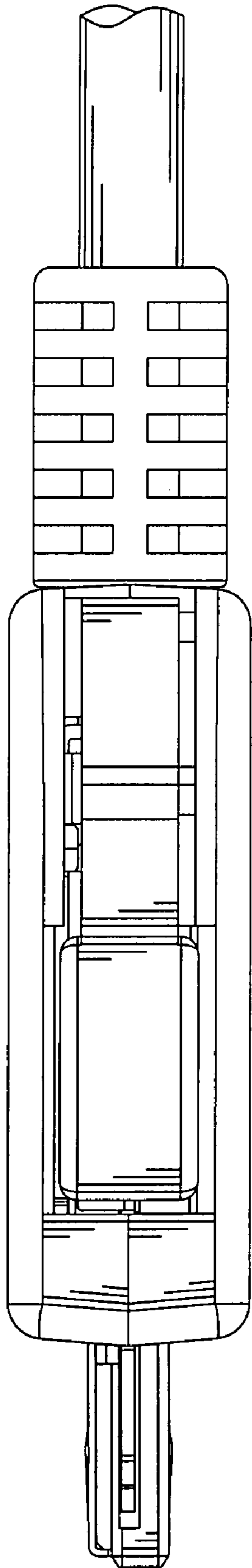


FIG. 5

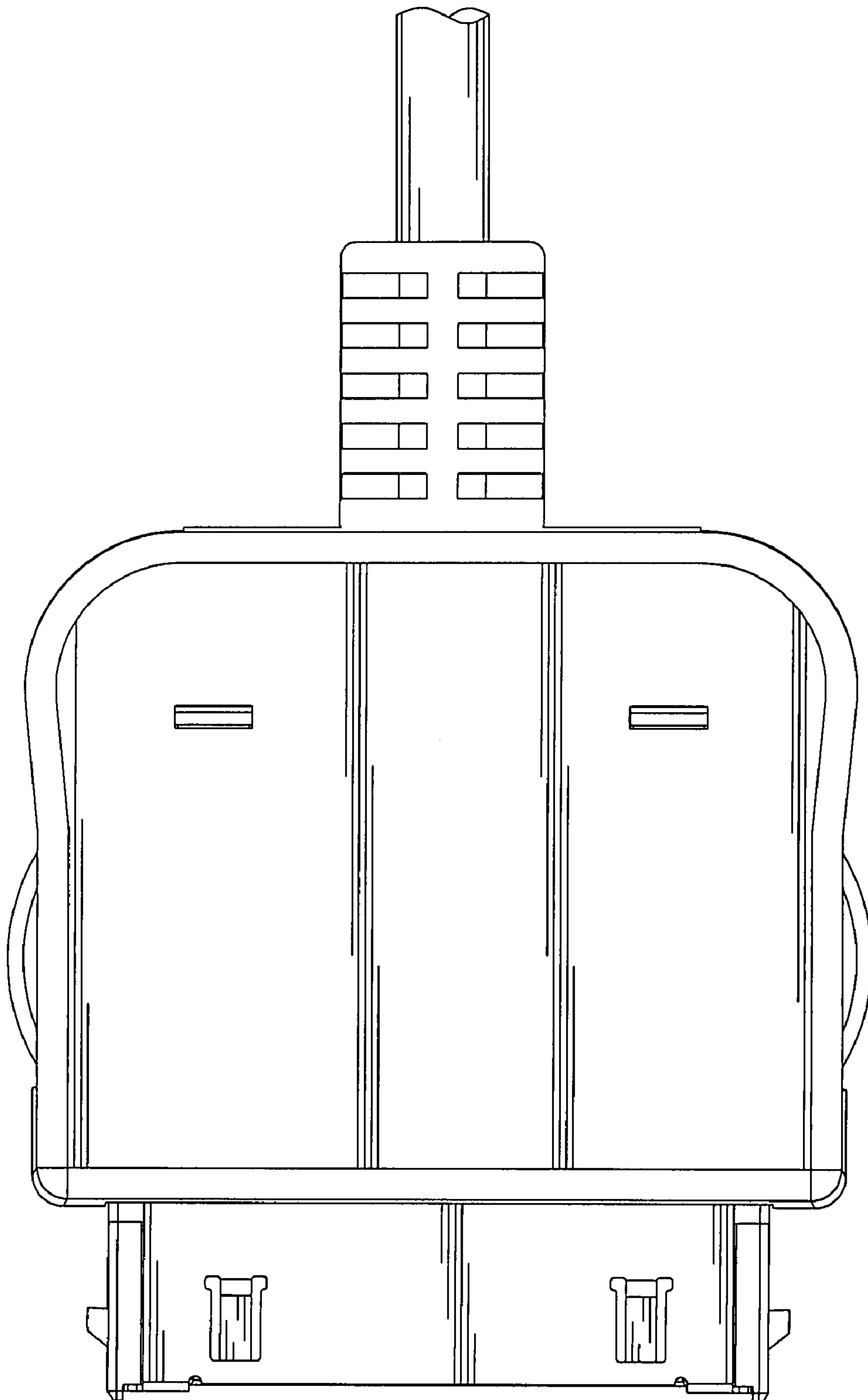


FIG. 6

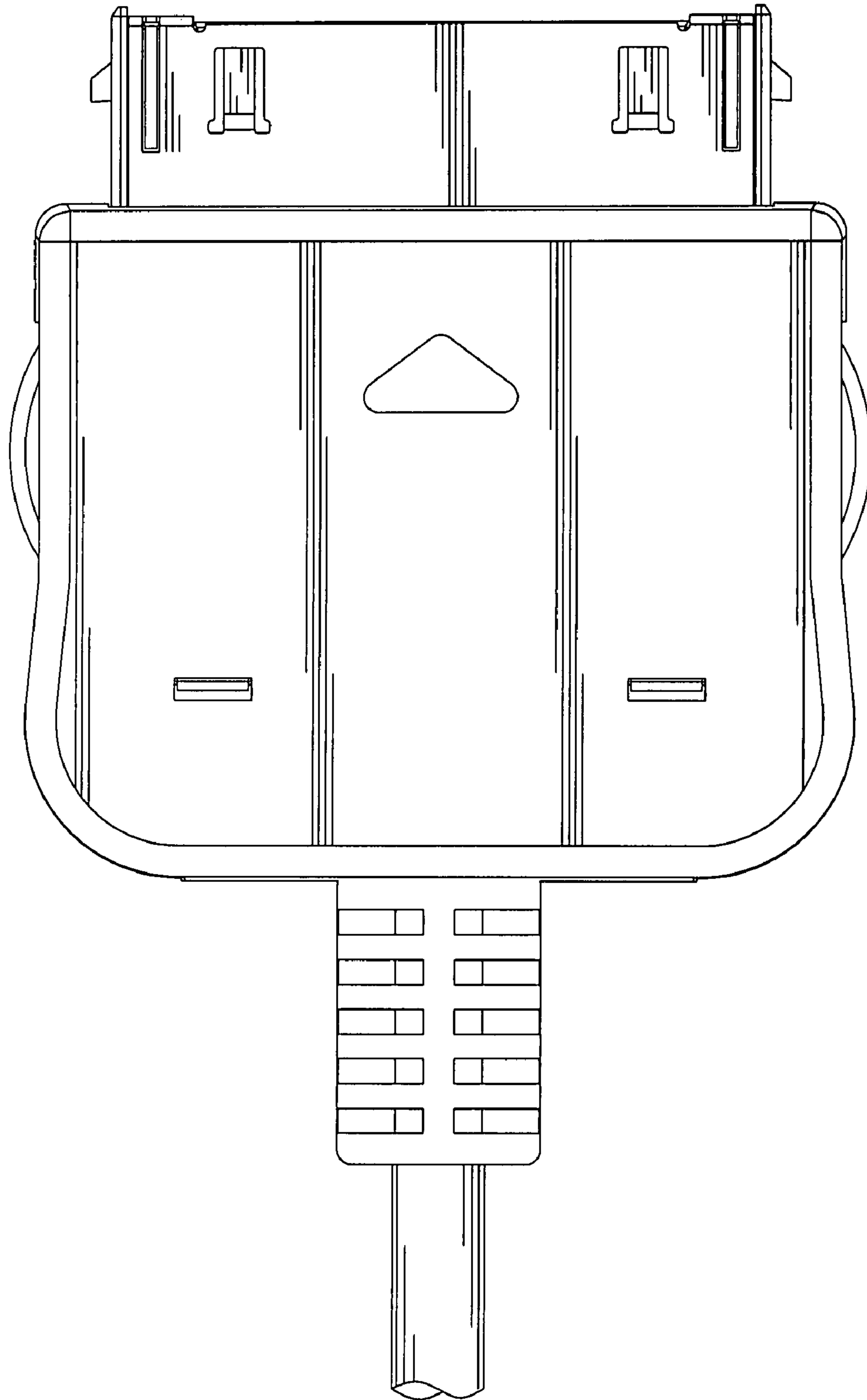


FIG. 7