



US00D578067S

(12) **United States Design Patent**  
**Chen et al.**

(10) **Patent No.:** **US D578,067 S**

(45) **Date of Patent:** **\*\* Oct. 7, 2008**

(54) **FILTER**

(75) Inventors: **Yu-Zheng Chen**, Taoyuan Hsien (TW);  
**Ching-Man Kao**, Taoyuan Hsien (TW);  
**Shih-Hua Sheng**, Taoyuan Hsien (TW)

(73) Assignee: **Delta Electronics, Inc.** (TW)

(\*\*) Term: **14 Years**

(21) Appl. No.: **29/267,320**

(22) Filed: **Oct. 12, 2006**

(51) **LOC (8) Cl.** ..... **13-03**

(52) **U.S. Cl.** ..... **D13/147; D13/123**

(58) **Field of Classification Search** ..... D13/123,  
D13/133, 146, 147, 149, 153, 154, 184, 199;  
D14/140, 240, 256, 299; 439/606–610, 660,  
439/668, 676–677, 682, 692

See application file for complete search history.

(56) **References Cited**

**U.S. PATENT DOCUMENTS**

5,106,306 A \* 4/1992 Ditzig ..... 439/26  
D357,257 S \* 4/1995 Kuo ..... D14/256  
D363,700 S \* 10/1995 Buongervino et al. .... D13/147  
5,639,262 A \* 6/1997 Lim ..... 439/607  
5,687,213 A \* 11/1997 Larkin ..... 379/21  
D436,927 S \* 1/2001 Hogan ..... D13/153  
D443,859 S \* 6/2001 Hogan ..... D13/133

D465,205 S \* 11/2002 Orpilla et al. .... D13/154  
D478,563 S \* 8/2003 Brown ..... D14/188  
D480,688 S \* 10/2003 Lin ..... D13/147  
D494,571 S \* 8/2004 Polito ..... D14/223  
D554,588 S \* 11/2007 Lee et al. .... D13/147  
2005/0186854 A1 \* 8/2005 Huang ..... 439/677

\* cited by examiner

*Primary Examiner*—Daniel Bui

*Assistant Examiner*—Thomas J Johannes

(74) *Attorney, Agent, or Firm*—Birch, Stewart, Kolasch &  
Birch, LLP

(57) **CLAIM**

The ornamental design for a filter, as shown and described herein.

**DESCRIPTION**

FIG. 1 is a perspective view of a filter, showing our new design;

FIG. 2 is a top plan view thereof;

FIG. 3 is a bottom plan view thereof;

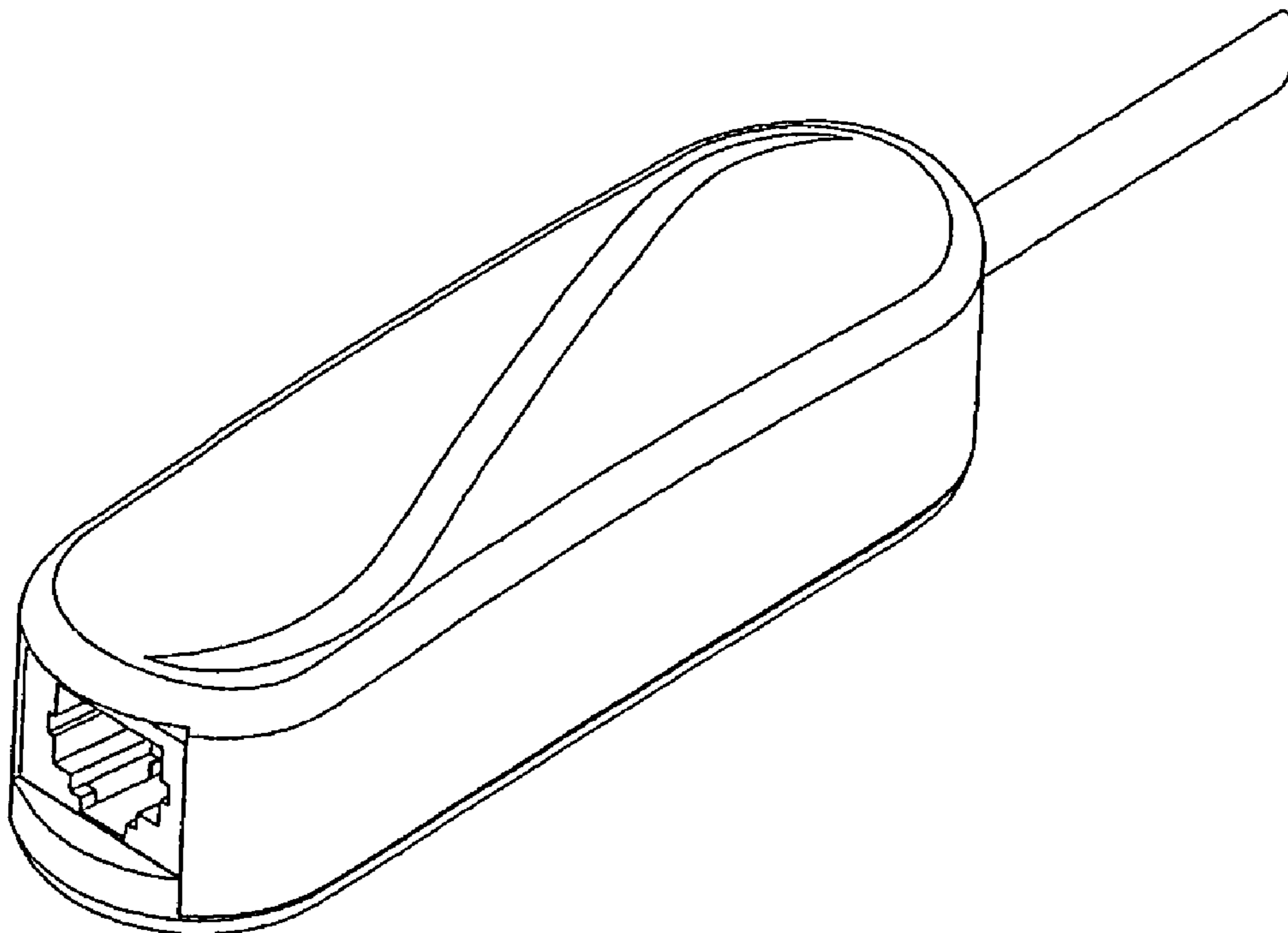
FIG. 4 is a front elevational view thereof;

FIG. 5 is a rear elevational view thereof;

FIG. 6 is a left side elevational view thereof; and,

FIG. 7 is a right side elevational view thereof.

**1 Claim, 4 Drawing Sheets**



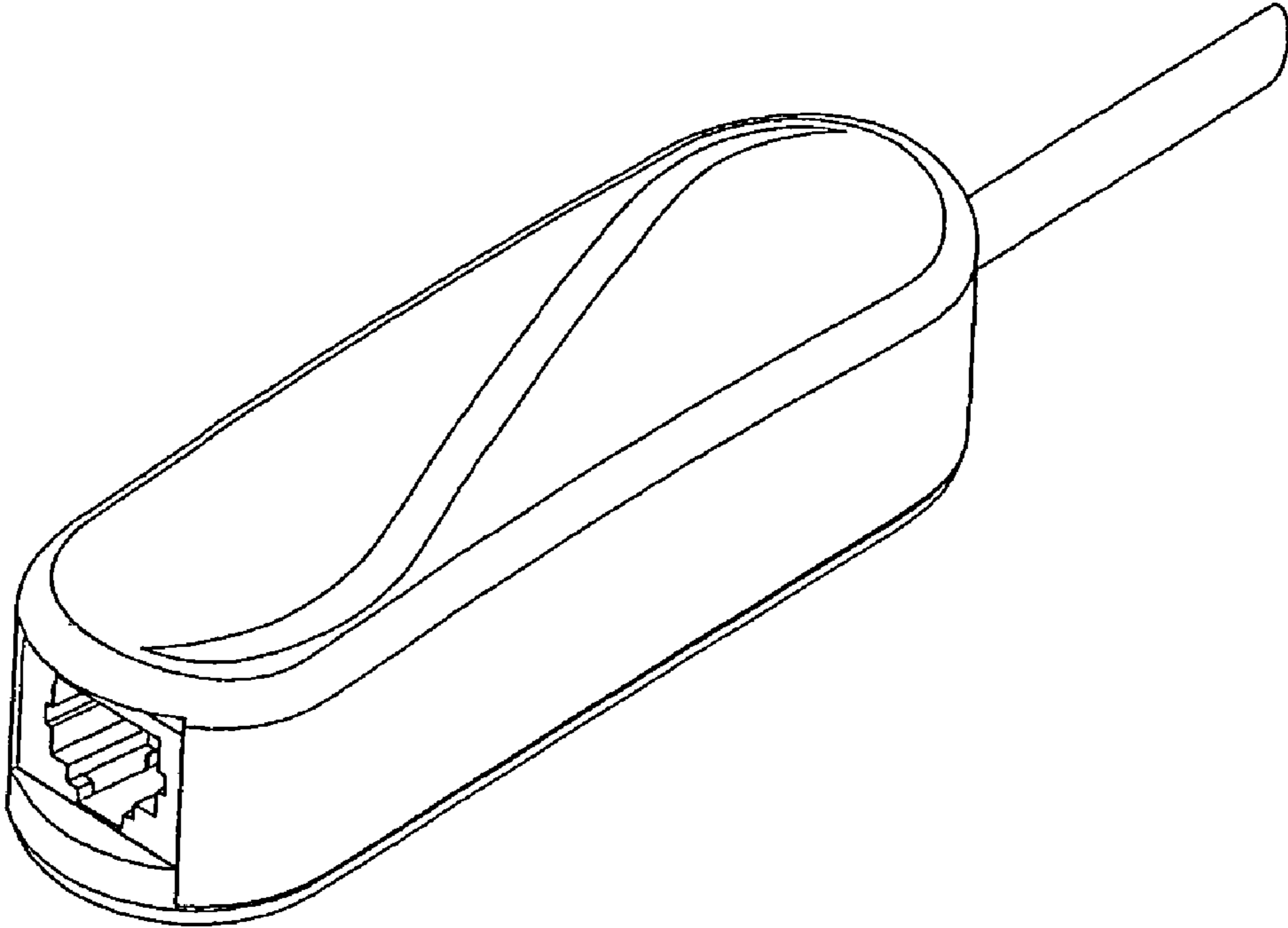


Fig. 1

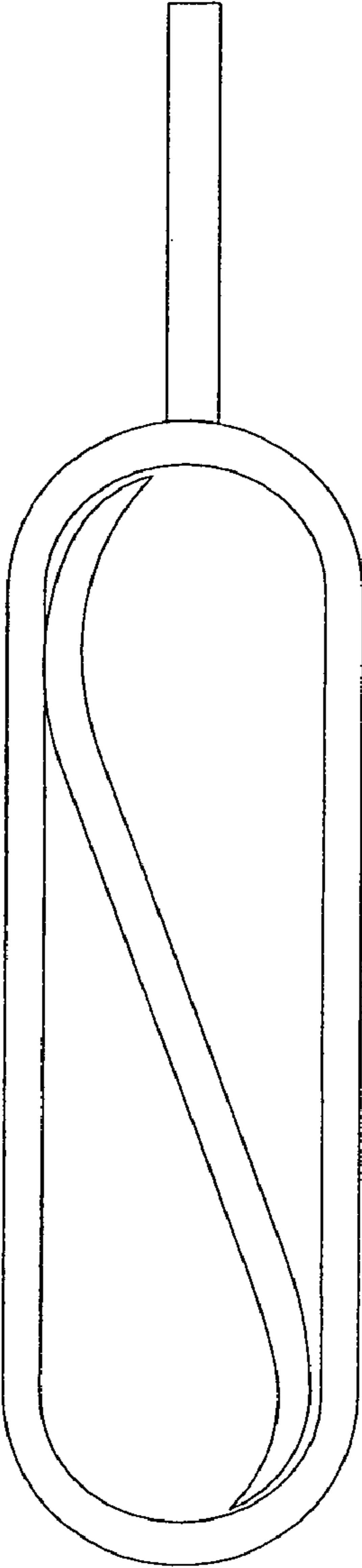


Fig. 2

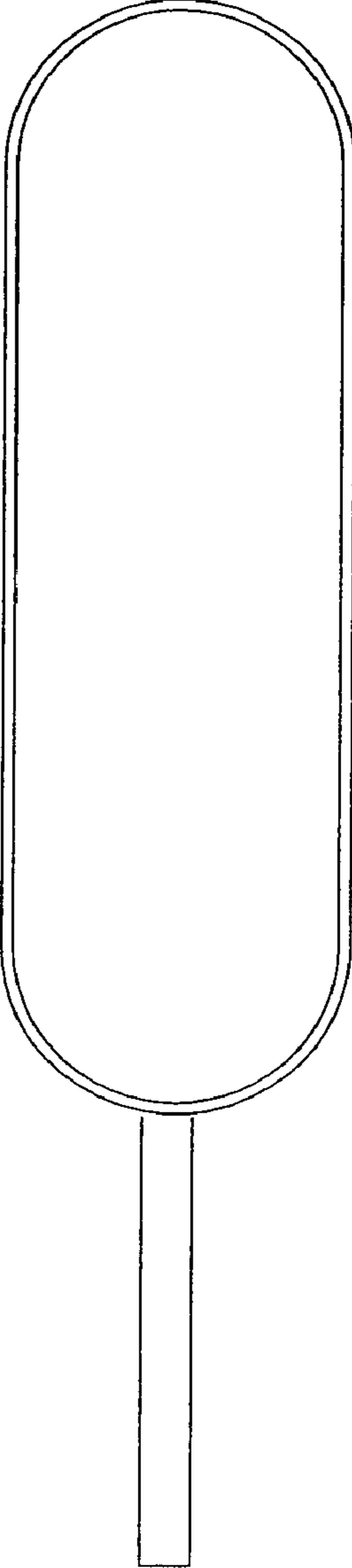


Fig. 3

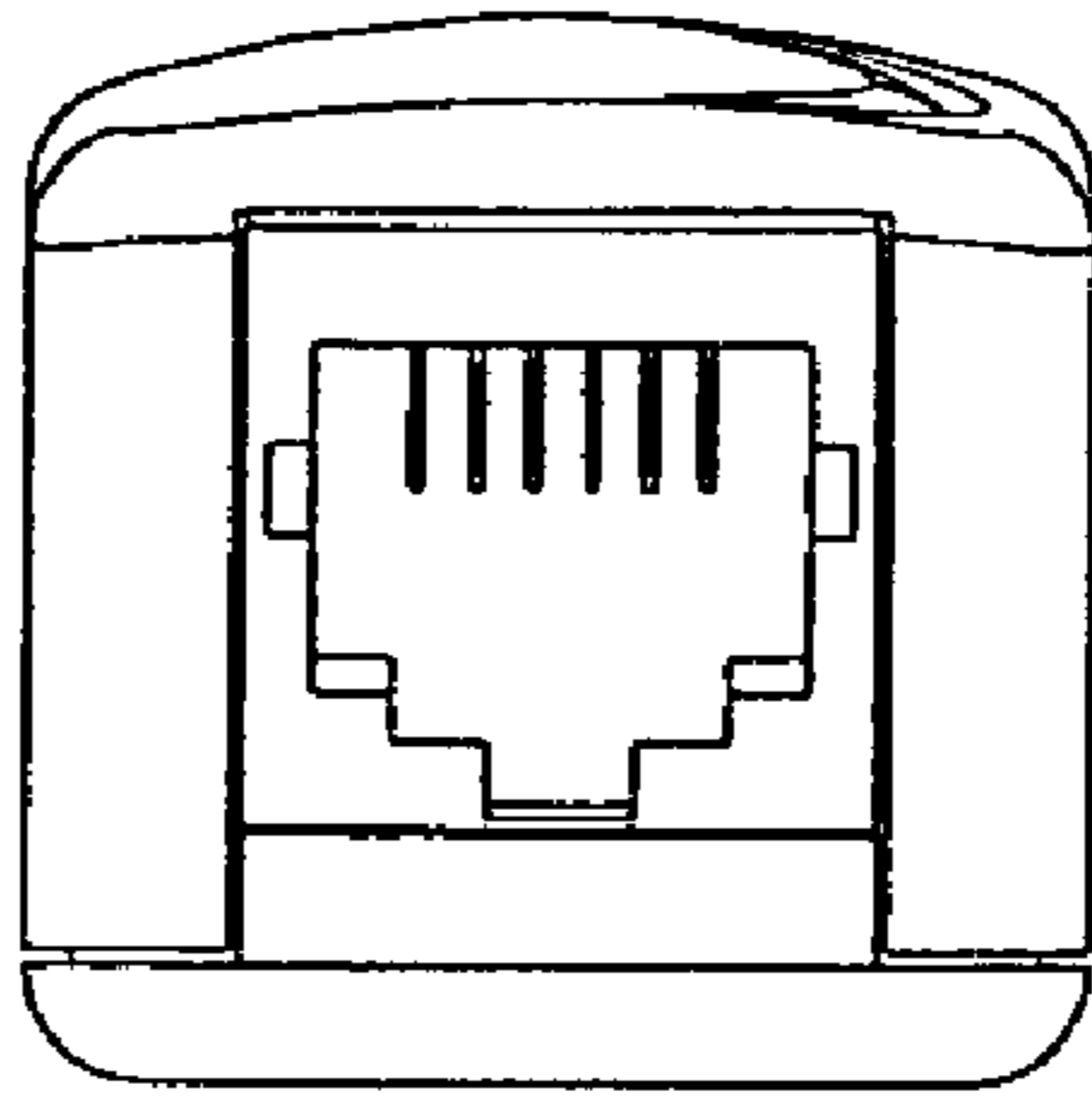


Fig. 4

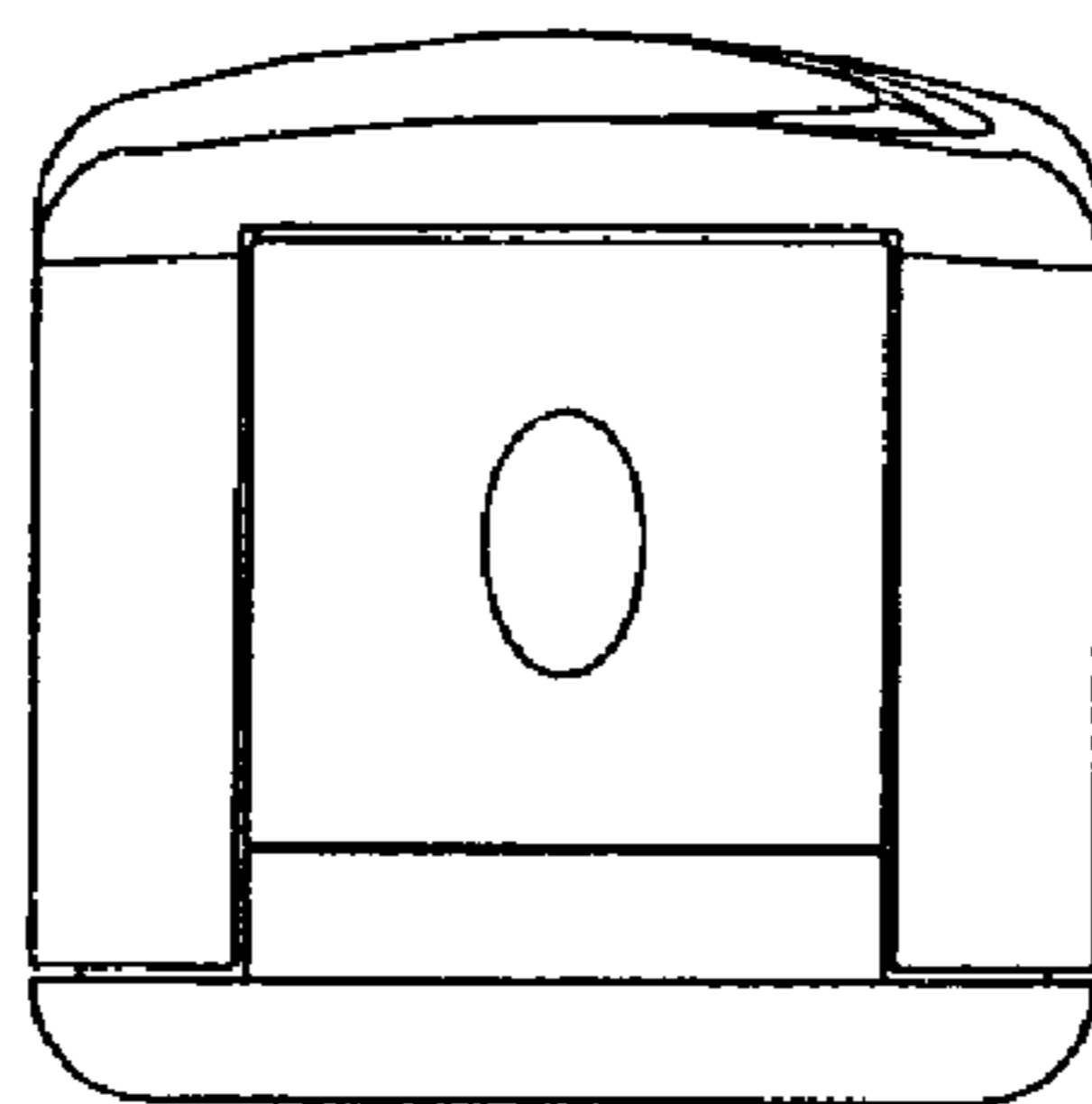


Fig. 5

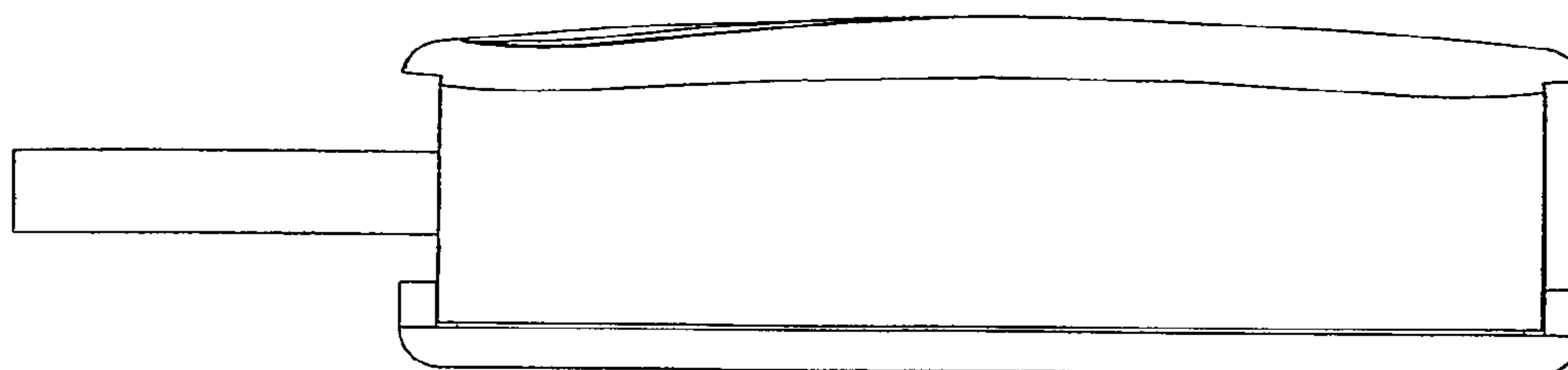


Fig. 6

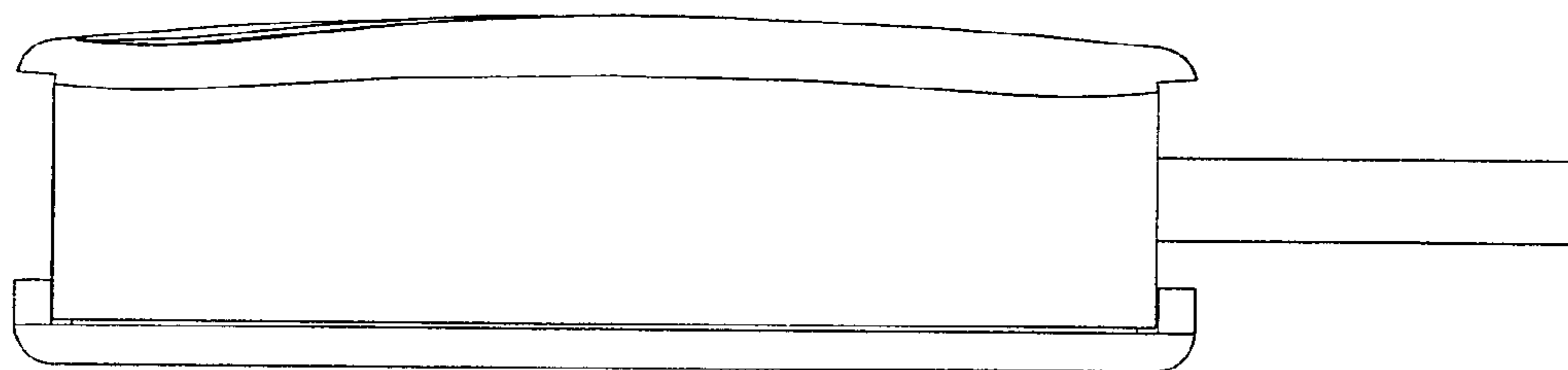


Fig. 7