



US00D578065S

(12) **United States Design Patent**
Baker et al.

(10) **Patent No.:** **US D578,065 S**
(45) **Date of Patent:** **** Oct. 7, 2008**

(54) **KEYED FINGERPROOF POWER CONNECTORS**

(75) Inventors: **Craig Baker**, Shrewsbury, MA (US);
Joe Belrose, Blackstone, MA (US);
Andre Beaupre, Barre, MA (US)

(73) Assignee: **Anderson Power Products**, Sterling,
MA (US)

(**) Term: **14 Years**

(21) Appl. No.: **29/225,620**

(22) Filed: **Mar. 18, 2005**

(51) **LOC (8) Cl.** **13-03**

(52) **U.S. Cl.** **D13/133**

(58) **Field of Classification Search** D13/133,
D13/146–147, 154, 184; 439/278, 282, 290–293,
439/328, 483, 592–593, 680
See application file for complete search history.

(56) **References Cited**

U.S. PATENT DOCUMENTS

| | | | | |
|--------------|------|---------|----------------|---------|
| 3,654,586 | A * | 4/1972 | Winkler | 439/295 |
| 3,794,957 | A * | 2/1974 | Winkler | 439/295 |
| 3,909,099 | A * | 9/1975 | Winkler | 439/295 |
| 4,990,099 | A * | 2/1991 | Marin et al. | 439/284 |
| 6,089,898 | A * | 7/2000 | Lincoln et al. | 439/357 |
| 6,923,685 | B2 * | 8/2005 | Holmes et al. | 439/660 |
| D512,687 | S * | 12/2005 | Baker et al. | D13/133 |
| 6,994,595 | B2 * | 2/2006 | Baker et al. | 439/680 |
| D519,924 | S * | 5/2006 | Baker et al. | D13/133 |
| 7,108,534 | B2 * | 9/2006 | Fabian | 439/284 |
| 2004/0171309 | A1 * | 9/2004 | Baker et al. | 439/680 |

* cited by examiner

Primary Examiner—Daniel D Bui
(74) *Attorney, Agent, or Firm*—Vernon C. Maine

(57) **CLAIM**

The ornamental design for keyed fingerproof power connectors, as shown and described.

DESCRIPTION

FIG. 1 is a top, front and right side perspective view of the first embodiment of keyed fingerproof power connectors, showing our new design;

FIG. 2 is a front elevation view thereof;

FIG. 3 is a bottom plan view thereof;

FIG. 4 is a top plan view thereof;

FIG. 5 is a left side elevation view thereof;

FIG. 6 is a right side elevation view thereof;

FIG. 7 is a back elevation view thereof;

FIG. 8 is a top, front and right side perspective view of the second embodiment of keyed fingerproof power connectors, showing our new design;

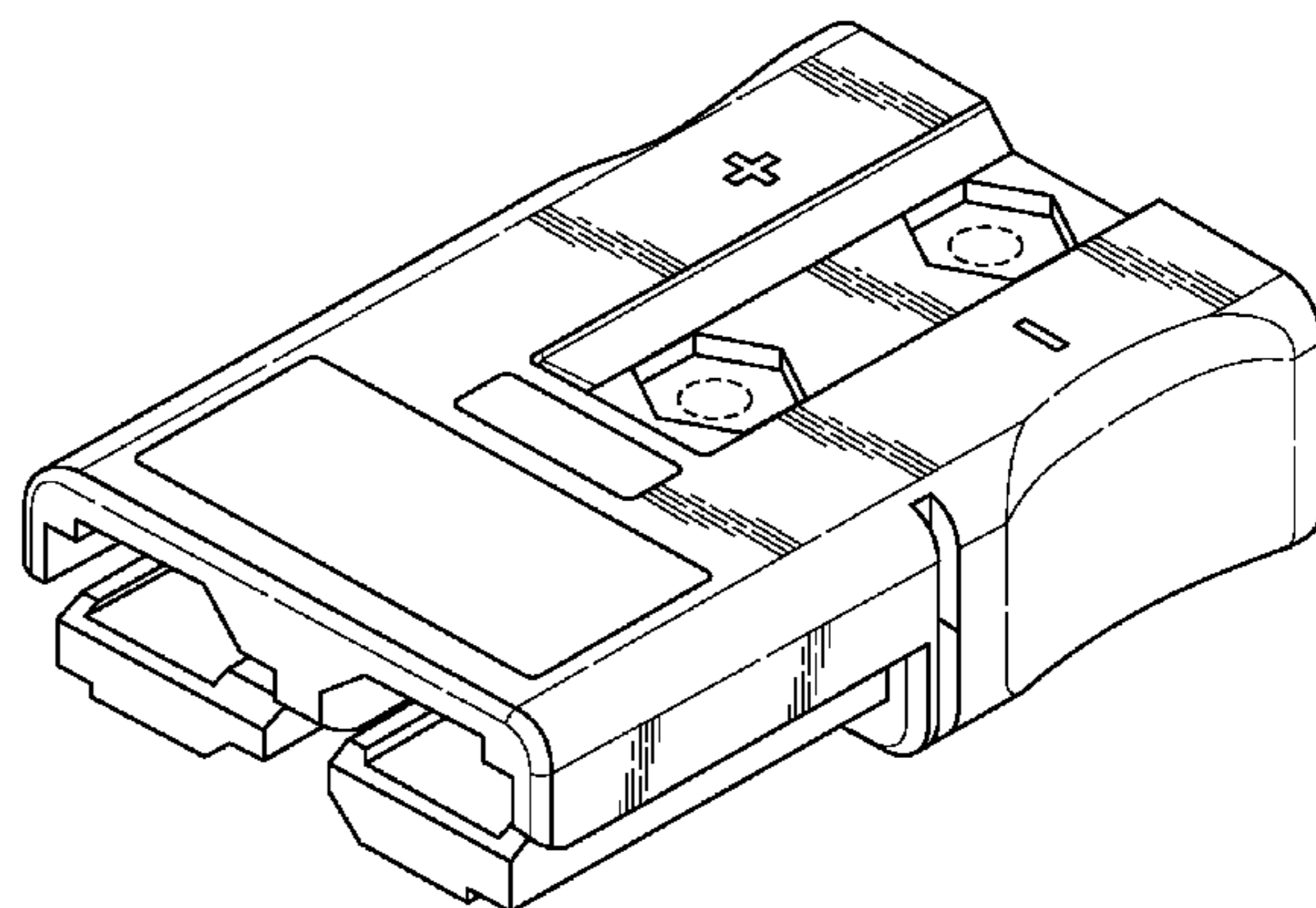
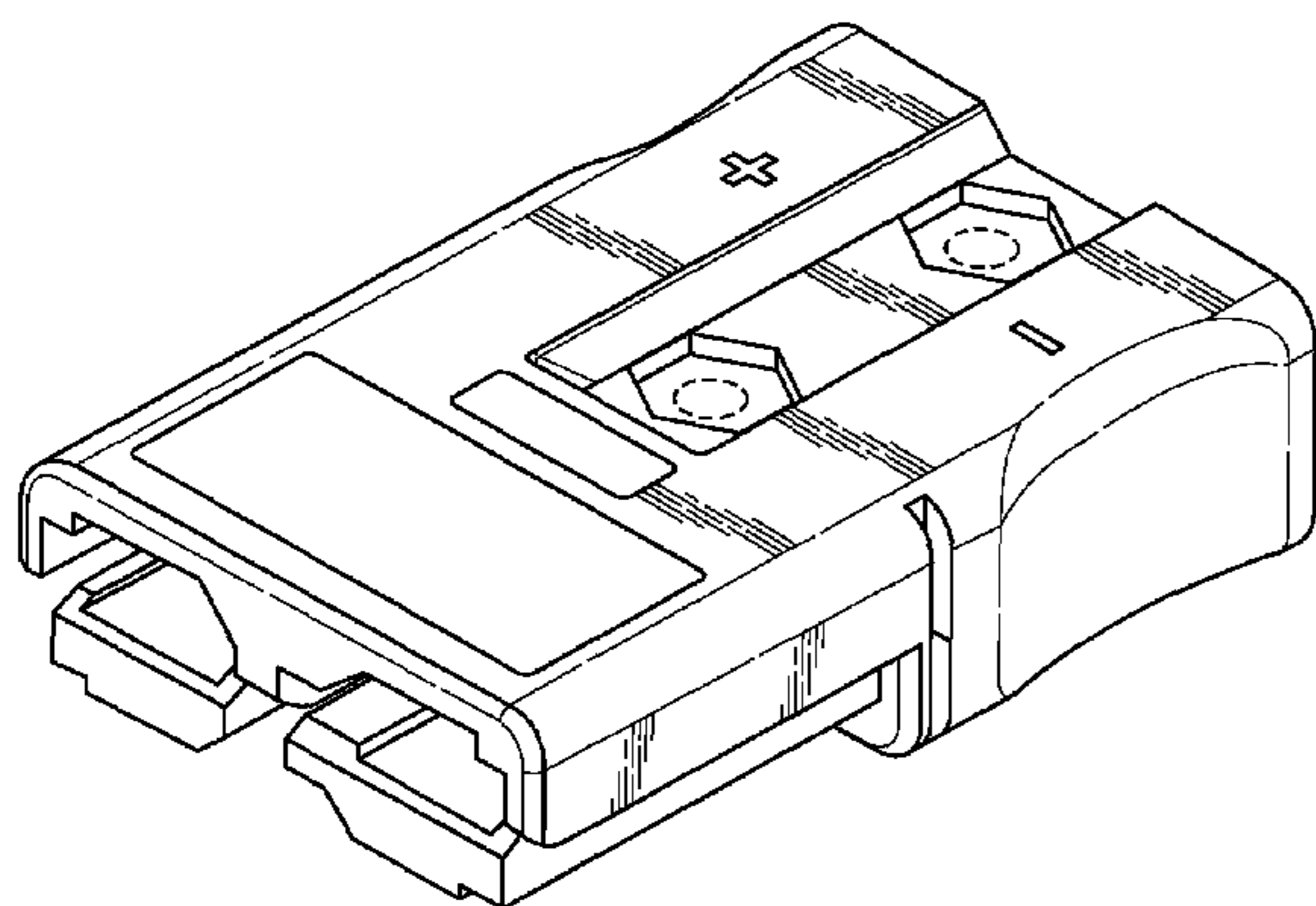
FIG. 9 is a front elevation view thereof; and,

FIG. 10 is a bottom elevation view thereof.

The top, left side, right side and back views of the second embodiment is the same as those for the first embodiment.

The broken line of the internal elements of the connector is included to show unclaimed subject matter only and forms no part of the claimed design.

1 Claim, 10 Drawing Sheets



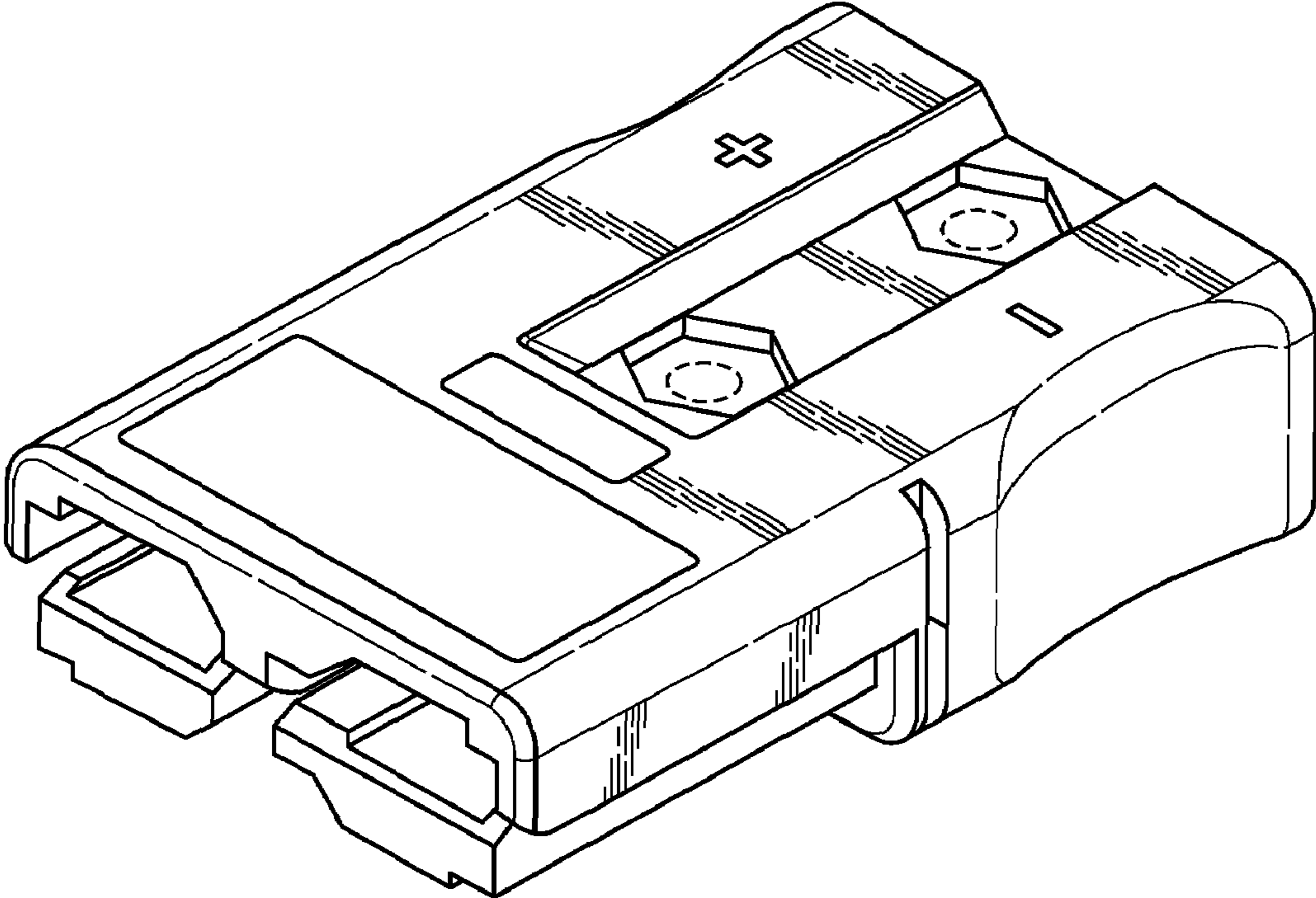


FIG. 1

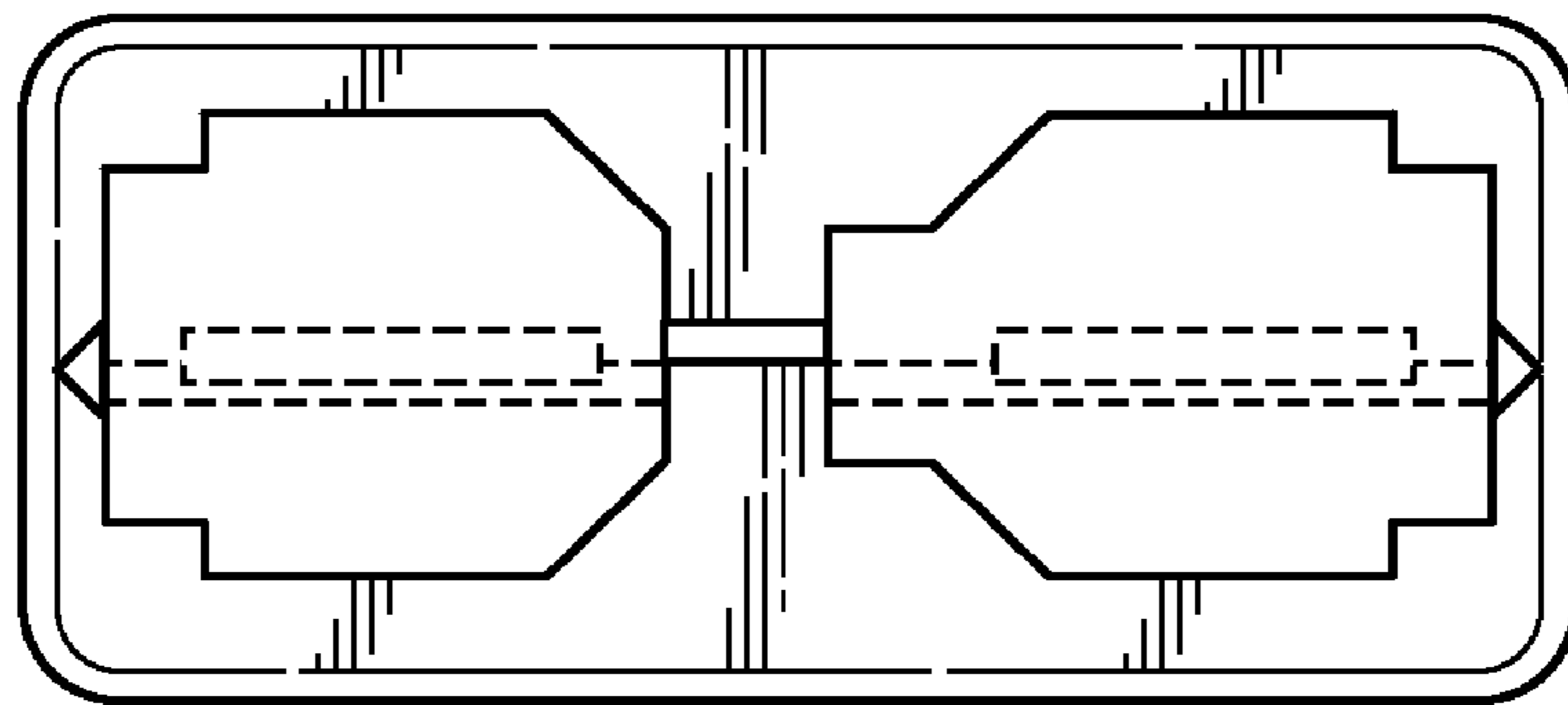


FIG. 2

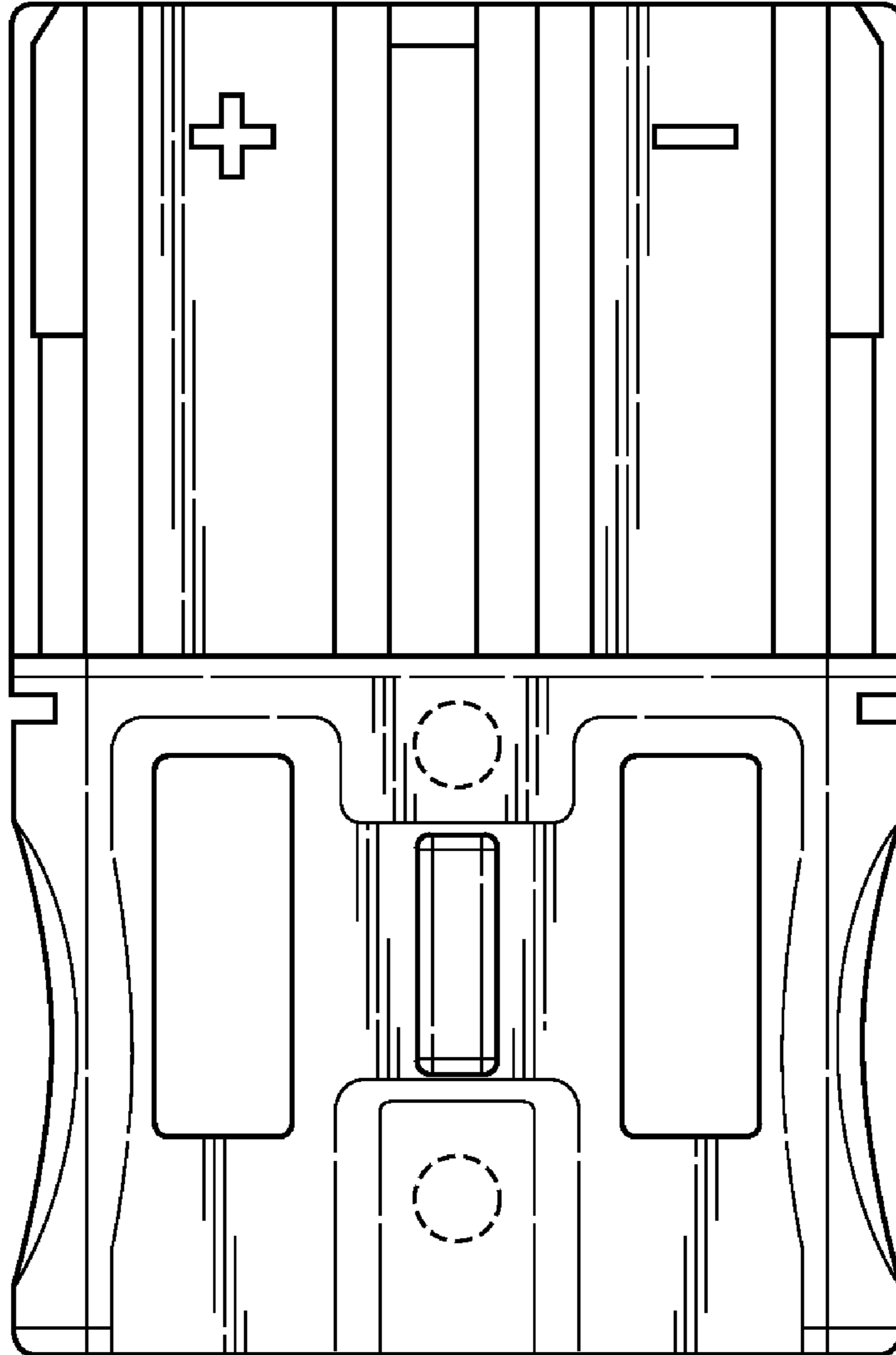


FIG. 3

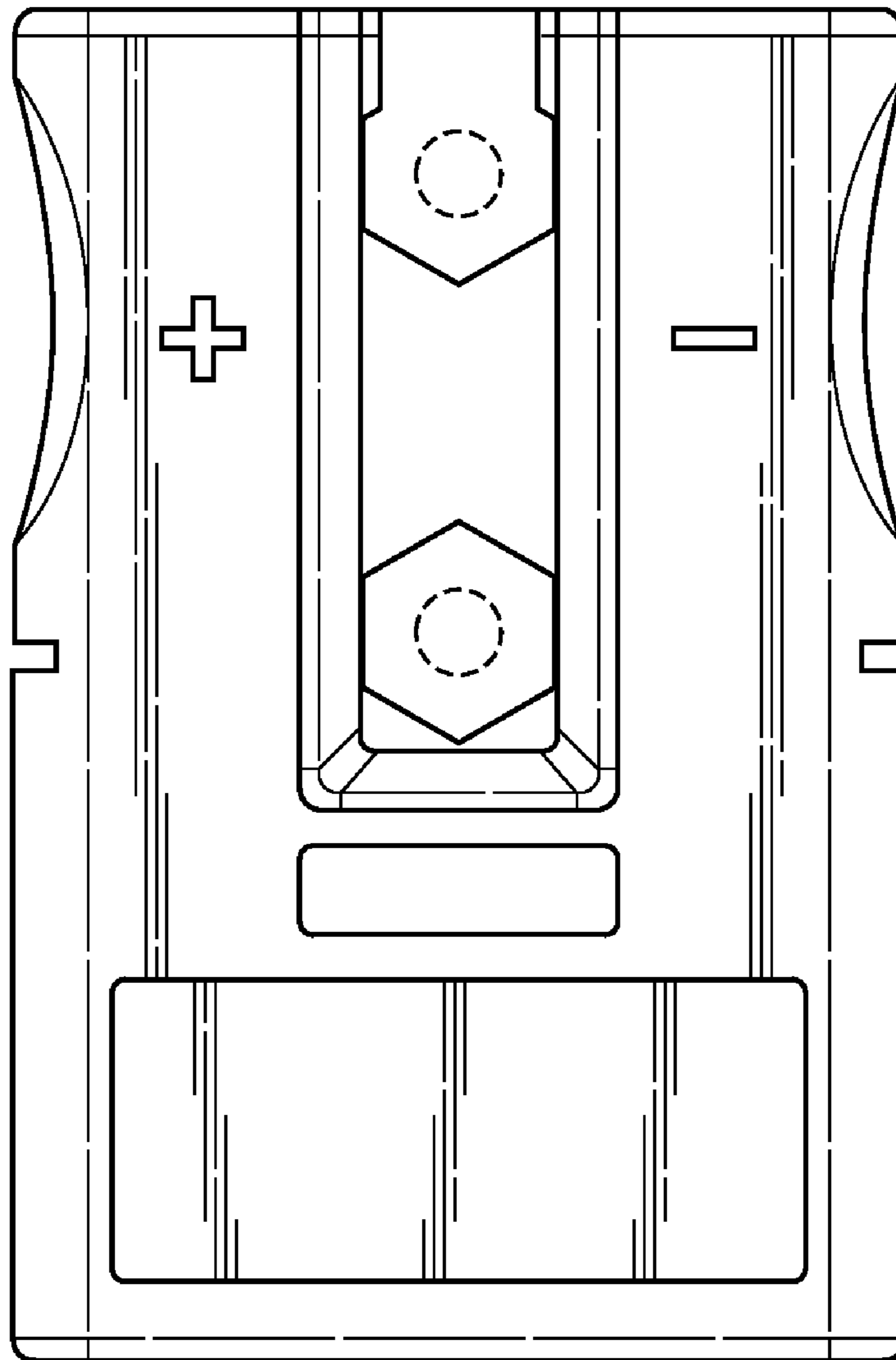


FIG. 4

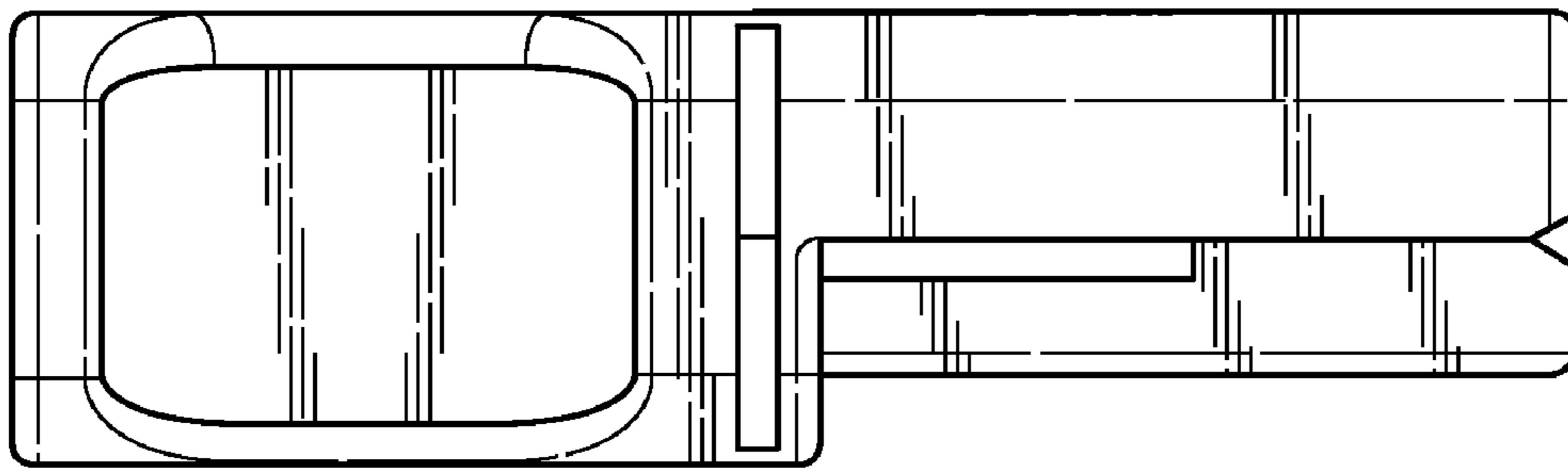


FIG. 5

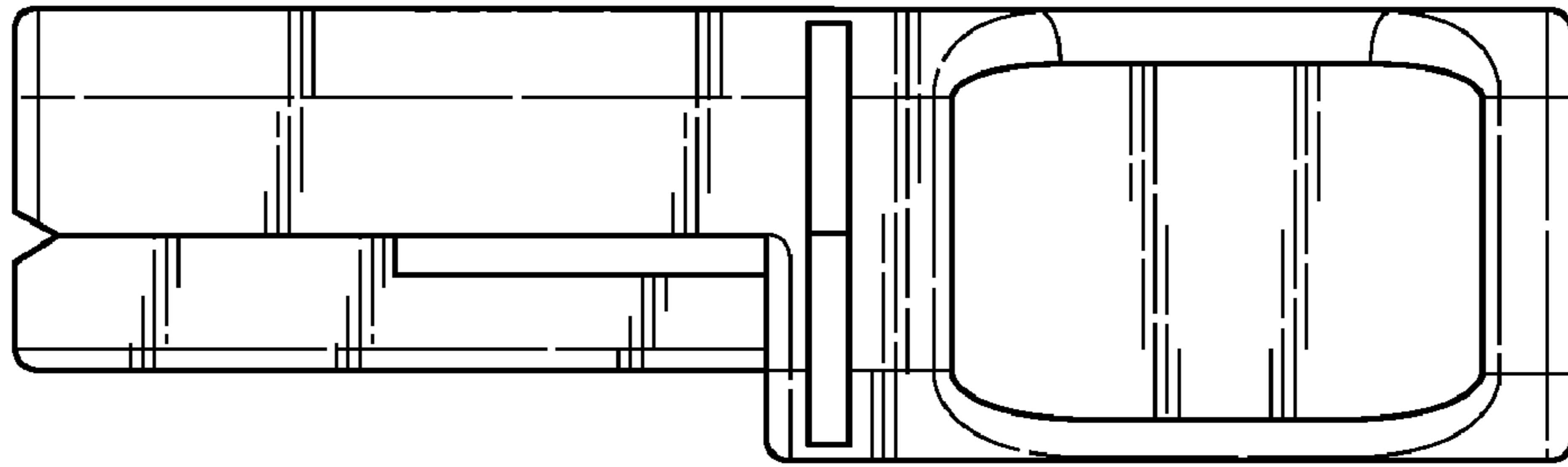


FIG. 6

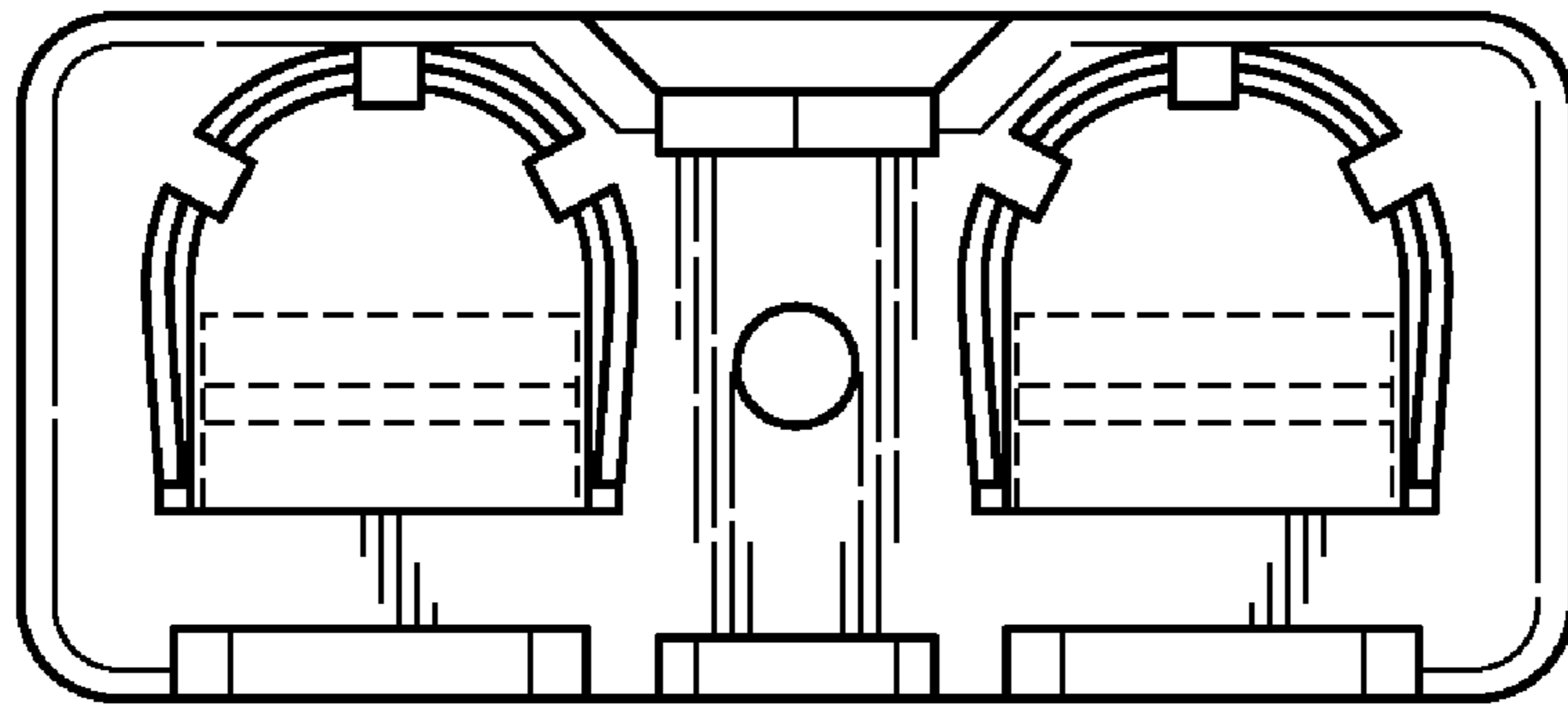


FIG. 7

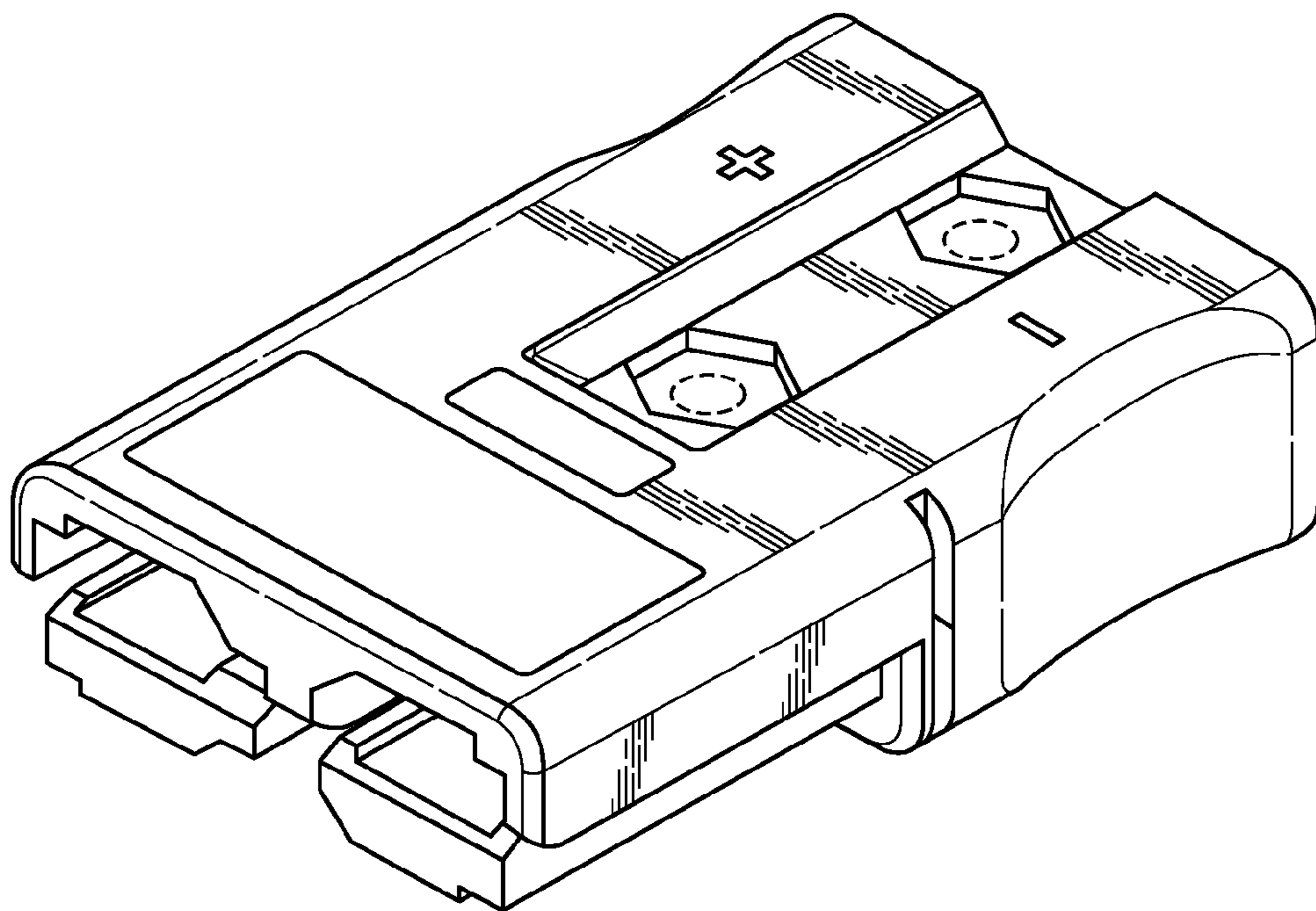


FIG. 8

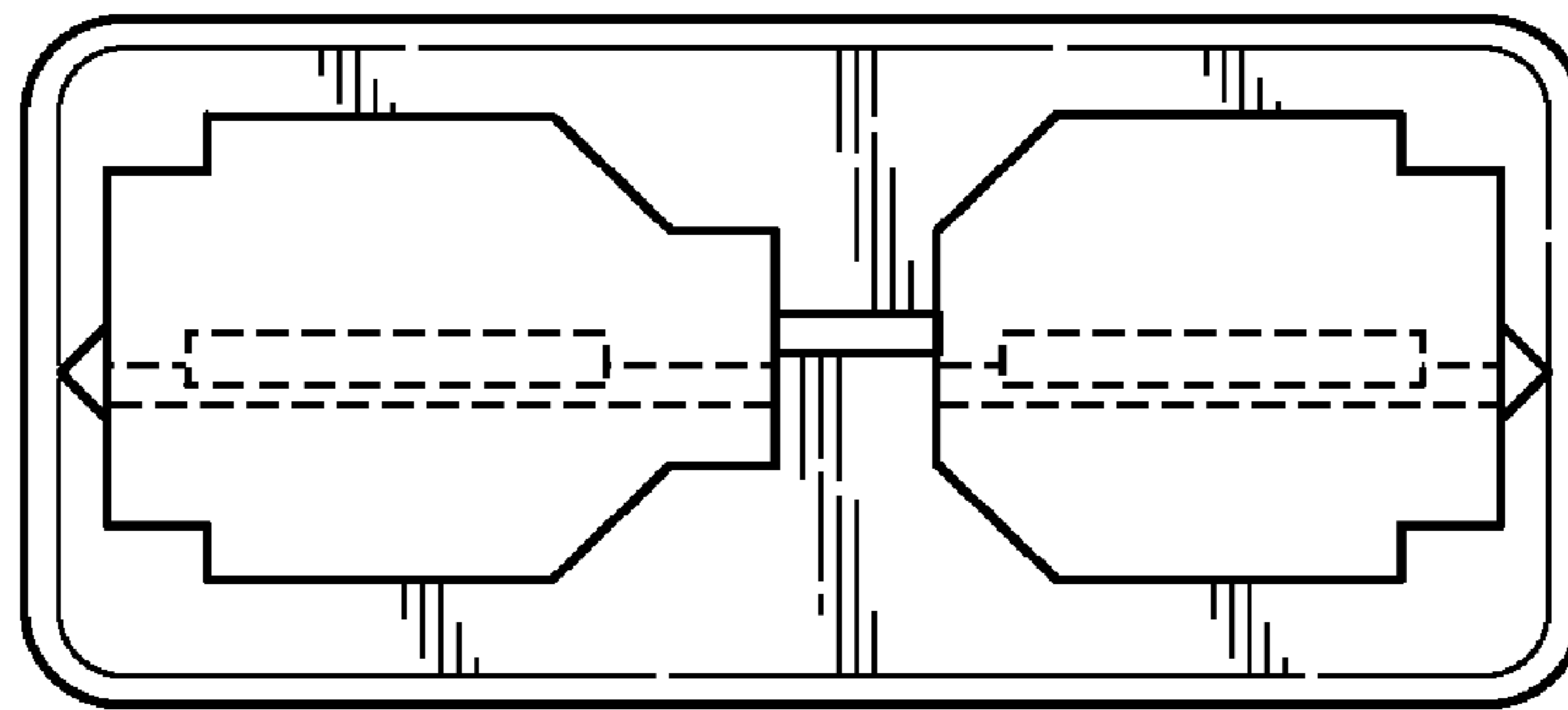


FIG. 9

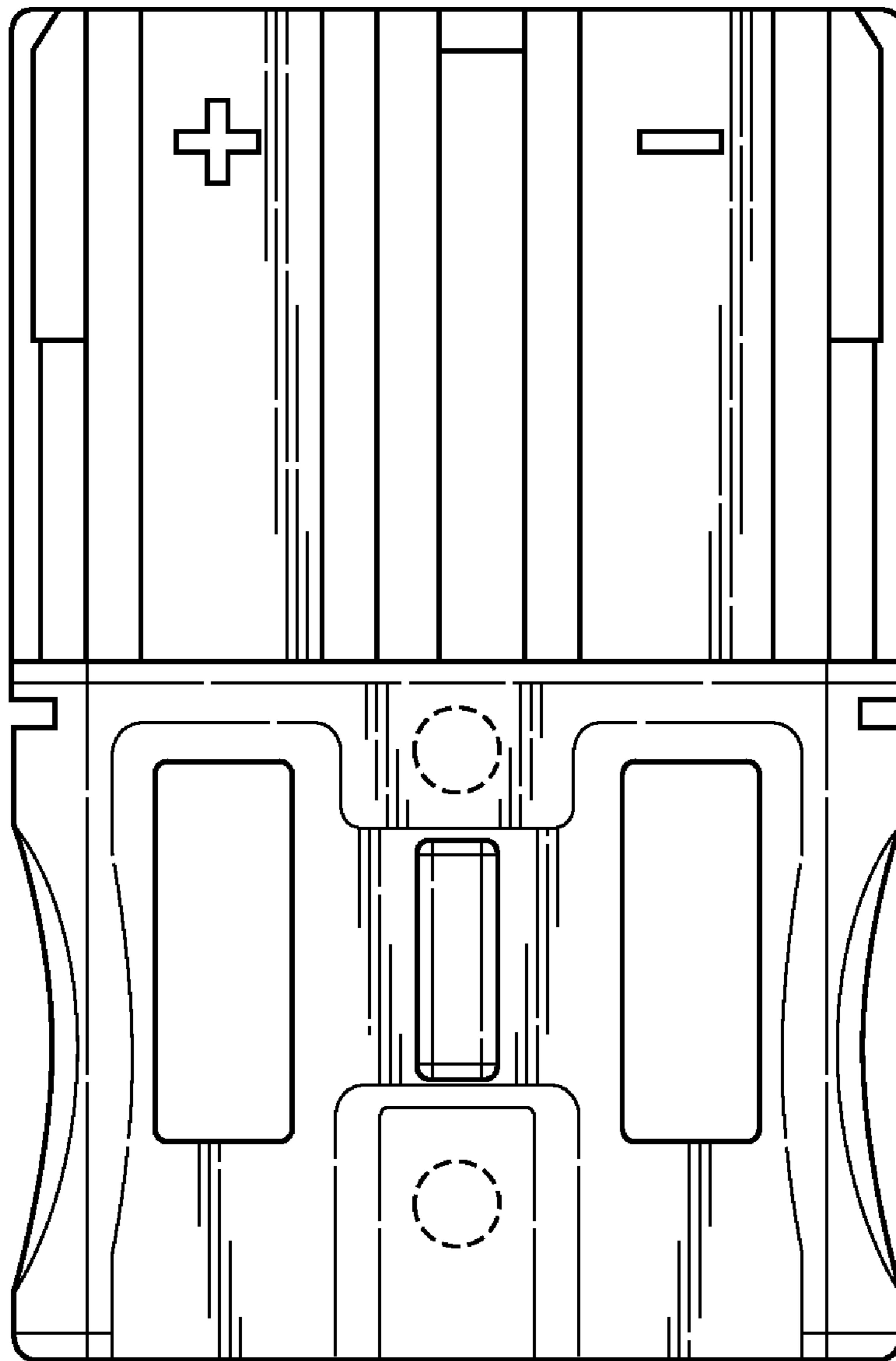


FIG. 10