



US00D578064S

(12) **United States Design Patent**  
**Nimberger**

(10) **Patent No.:** **US D578,064 S**

(45) **Date of Patent:** **\*\* Oct. 7, 2008**

(54) **DIFFERENTIAL PRESSURE GENERATOR**

D384,033 S \* 9/1997 Takeda et al. .... D13/114  
D531,957 S \* 11/2006 Baarman ..... D13/122

(75) Inventor: **Spencer M. Nimberger**, Houston, TX  
(US)

\* cited by examiner

(73) Assignee: **PGI International, Ltd.**, Houston, TX  
(US)

*Primary Examiner*—Prabhakar Deshmukh

*Assistant Examiner*—Derrick Holland

(74) *Attorney, Agent, or Firm*—Browning Bushman P.C.

(\*\*) Term: **14 Years**

(57) **CLAIM**

(21) Appl. No.: **29/294,066**

The ornamental design for a differential pressure generator,  
as shown and described.

(22) Filed: **Dec. 20, 2007**

(51) **LOC (8) Cl.** ..... **13-01**

(52) **U.S. Cl.** ..... **D13/114**

(58) **Field of Classification Search** ..... D13/114,  
D13/112, 113, 118, 122, 199; D15/5, 7,  
D15/199; 310/10, 11, 13, 40 R, 71, 89, 235,  
310/236, 239; 322/44

See application file for complete search history.

**DESCRIPTION**

FIG. 1 is a perspective bottom view of a differential pressure  
generator according to the present invention;

FIG. 2 is a front view thereof;

FIG. 3 is a right view thereof;

FIG. 4 is a left side view thereof;

FIG. 5 is a top view thereof; and,

FIG. 6 is a bottom view thereof.

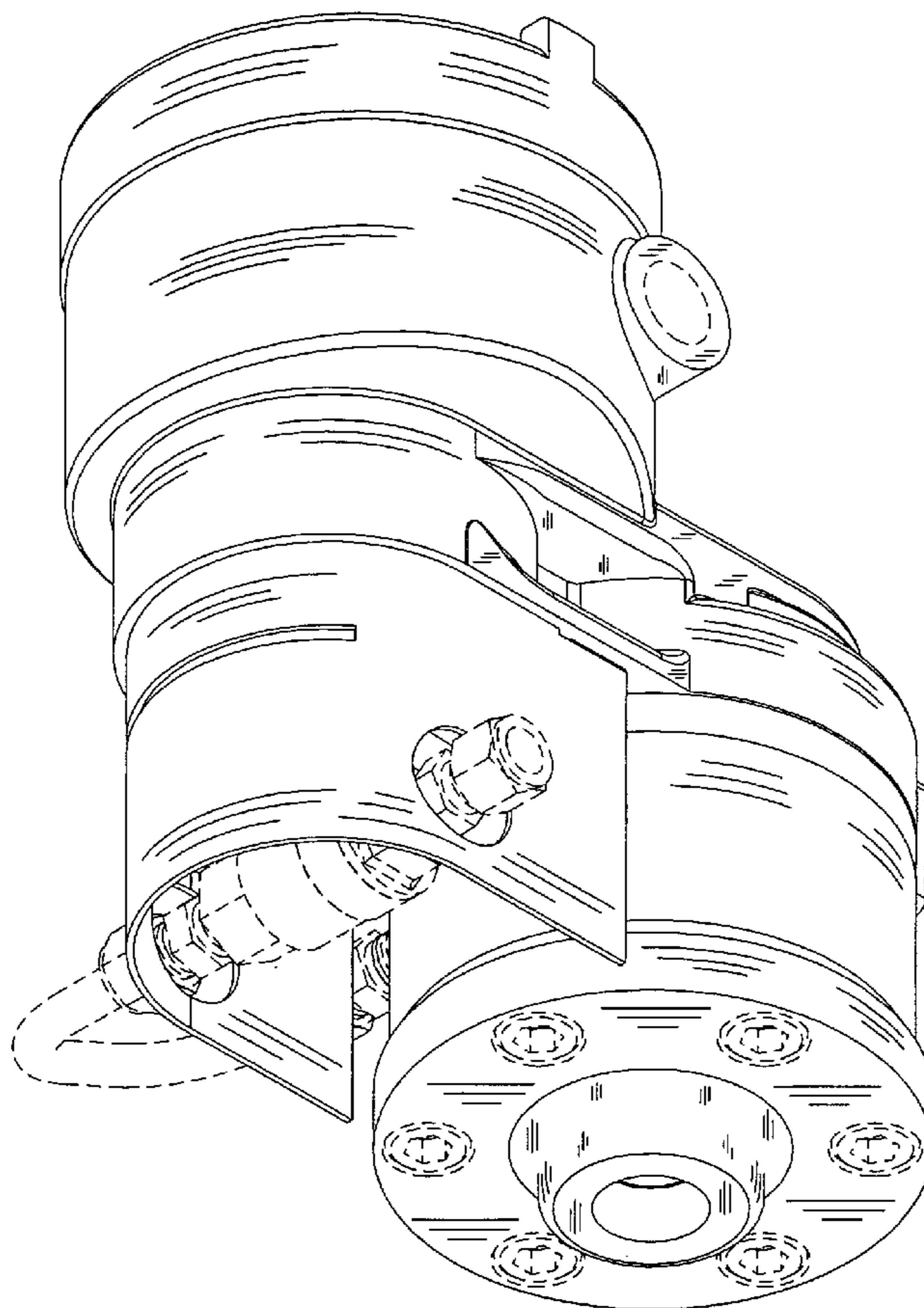
The broken lines shown in the figures are for illustrative  
purposes only and form no part of the claimed design.

(56) **References Cited**

U.S. PATENT DOCUMENTS

3,538,362 A \* 11/1970 Cheetham et al. .... 310/68 D  
D220,880 S \* 6/1971 Dochterman ..... D13/114  
4,055,778 A \* 10/1977 Binder ..... 310/89  
D332,936 S \* 2/1993 Lawrence ..... D13/112

**1 Claim, 6 Drawing Sheets**



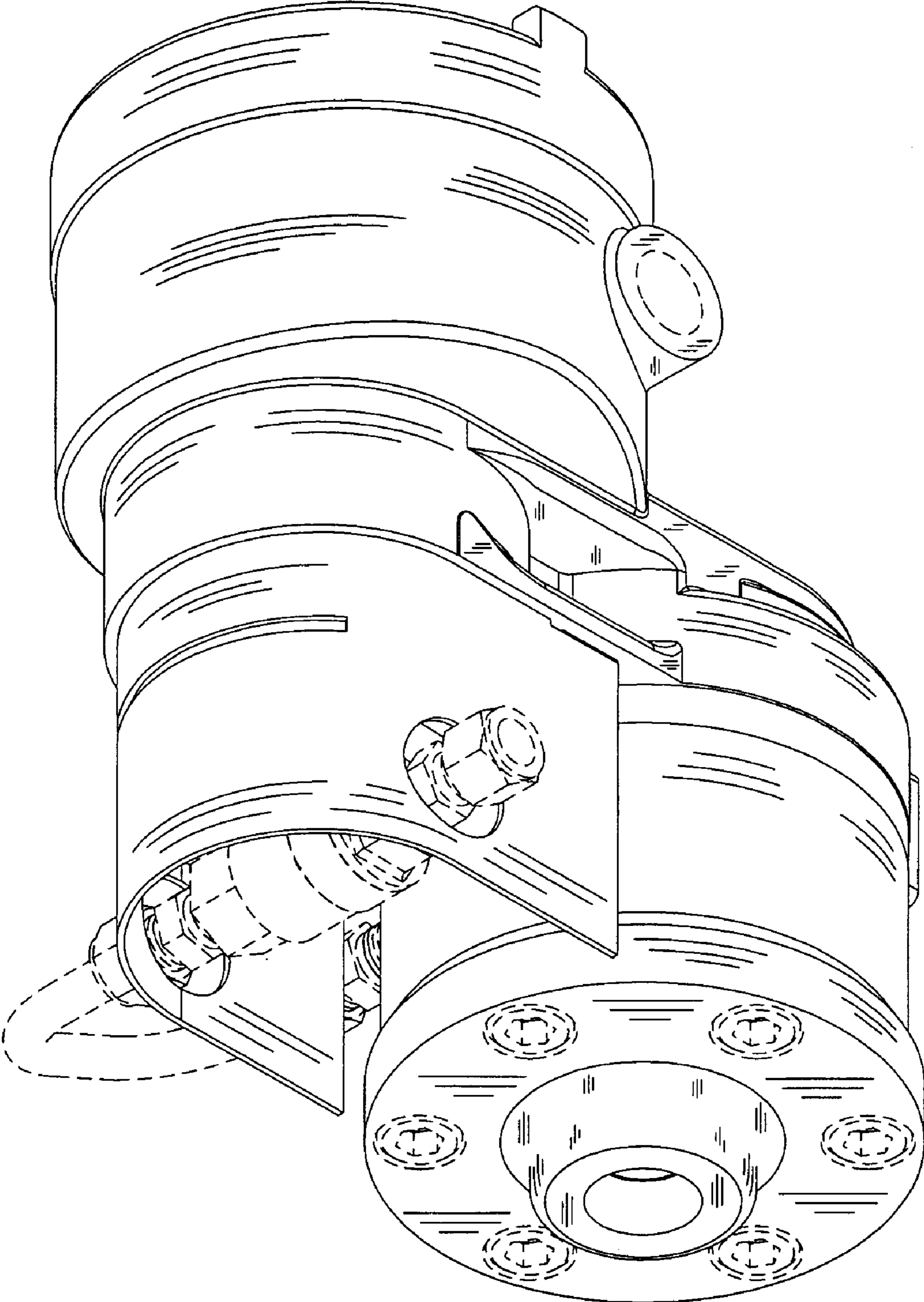


FIG. 1

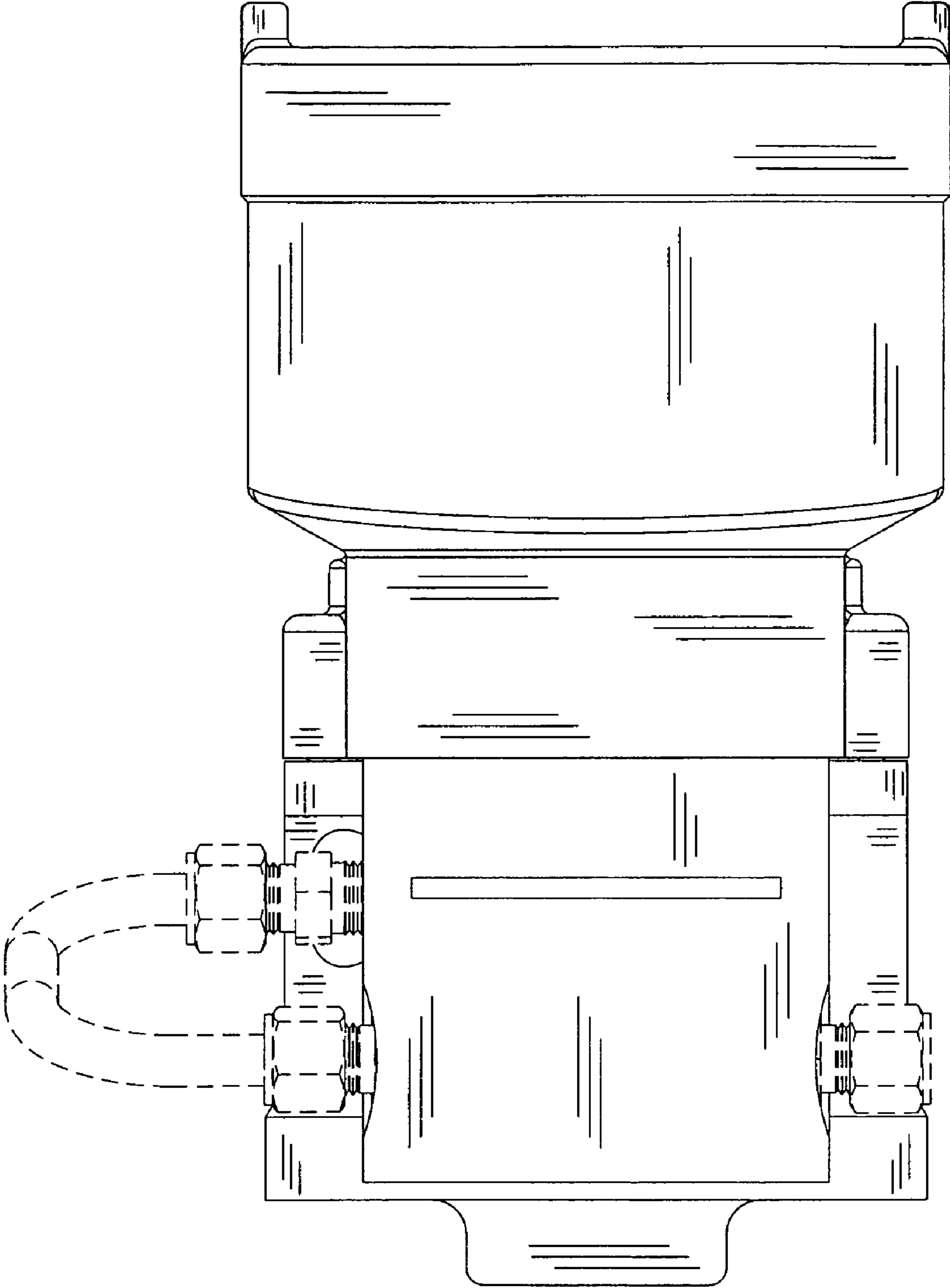


FIG. 2

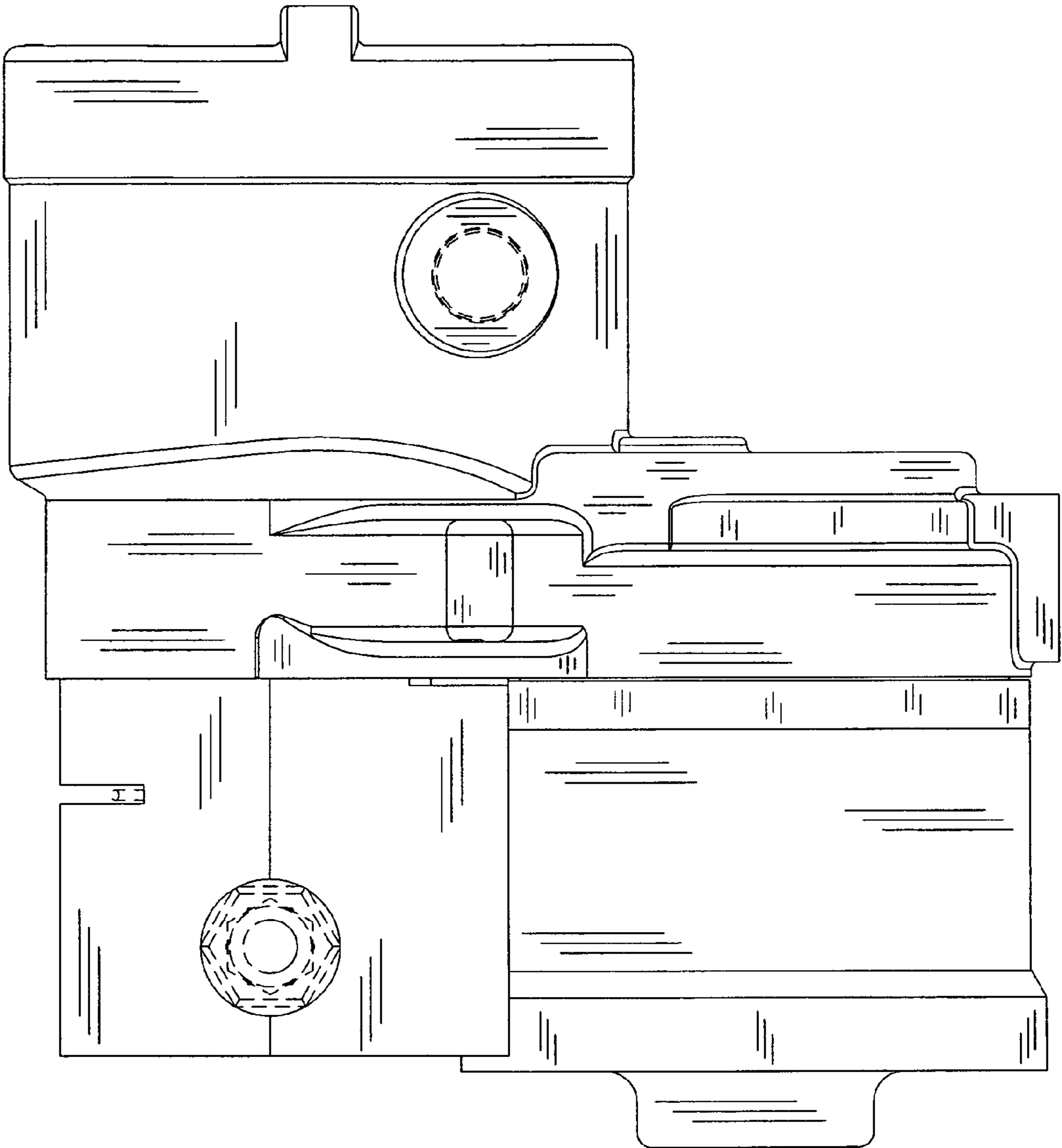


FIG. 3

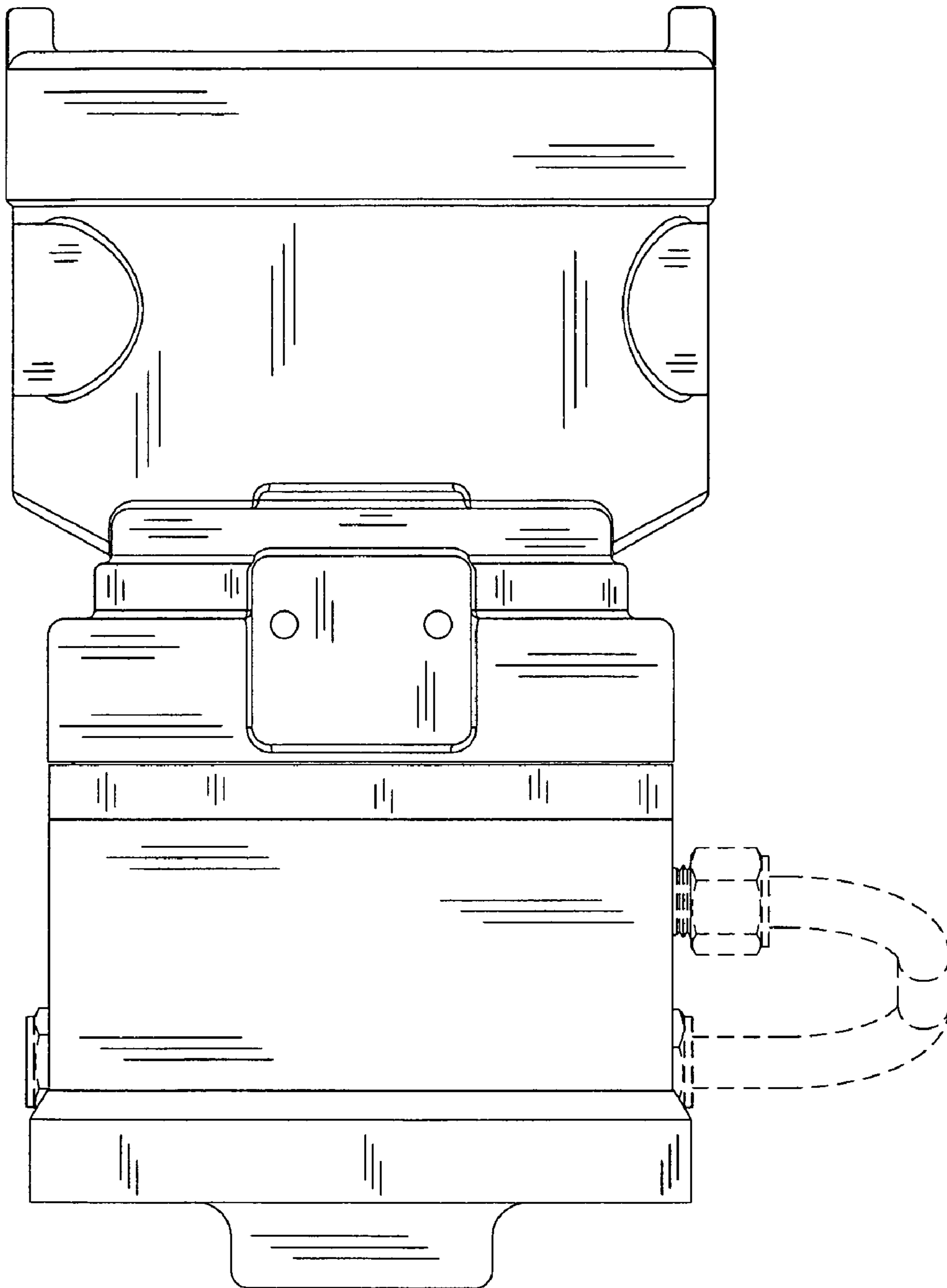


FIG. 4

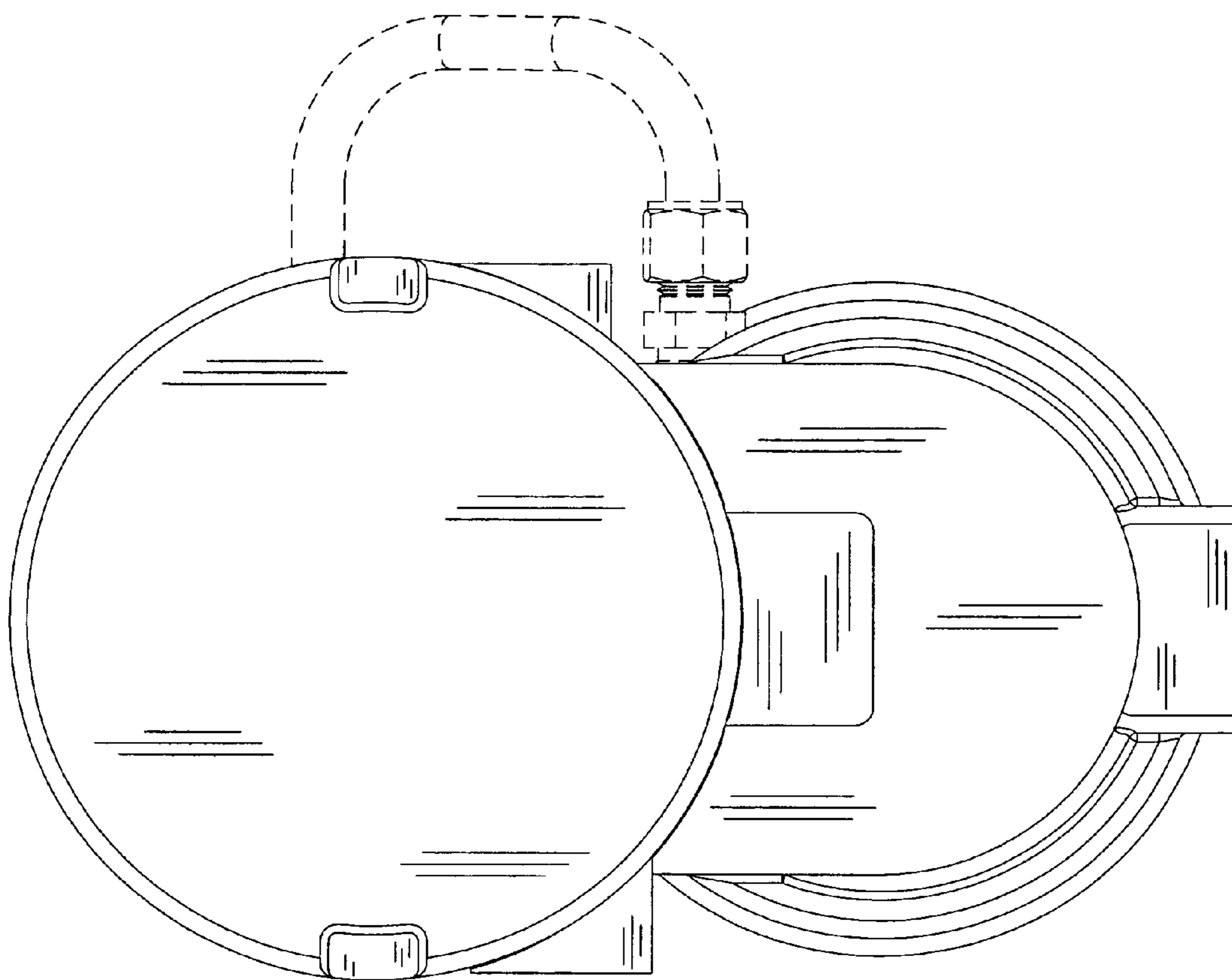


FIG. 5



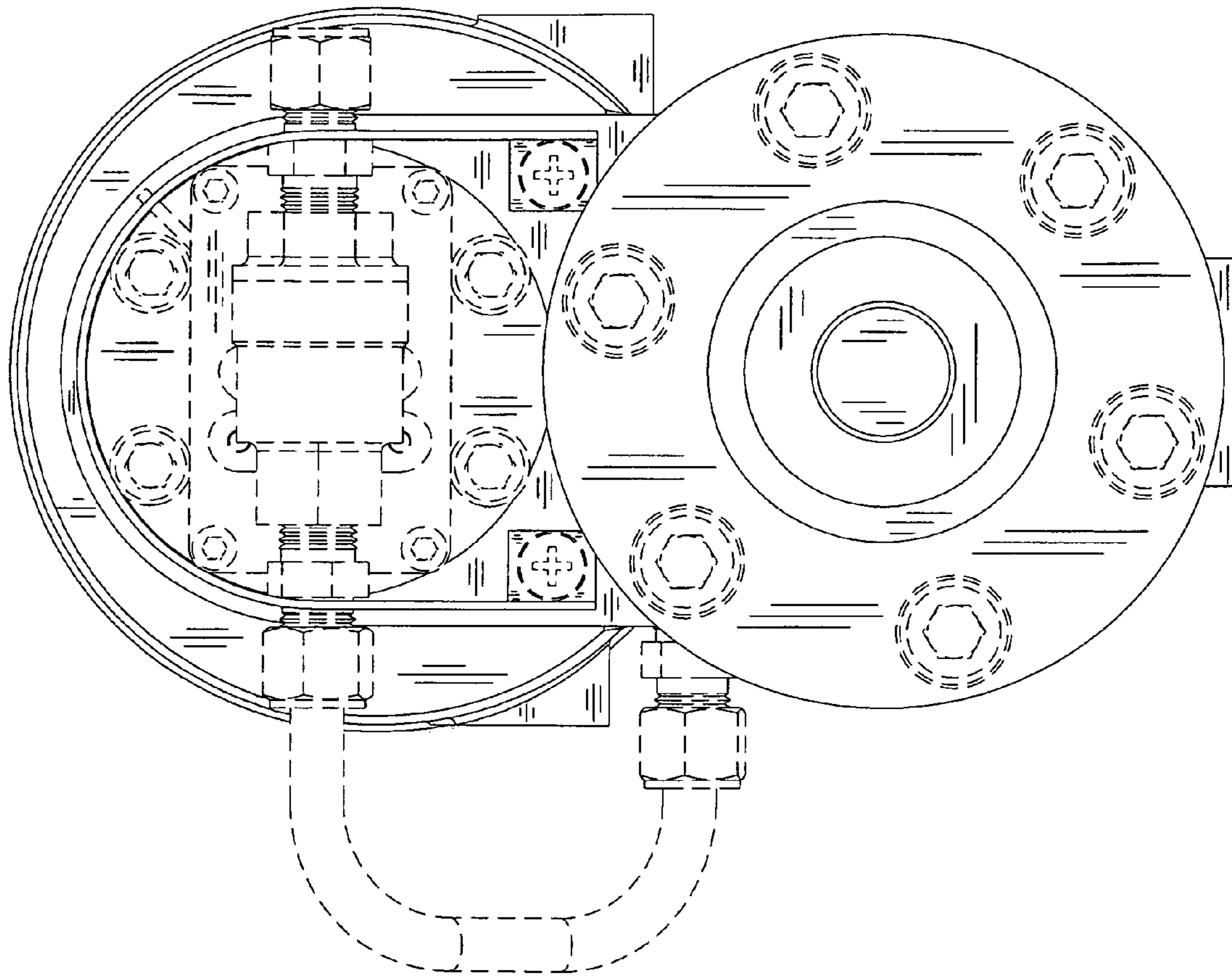


FIG. 6