



US00D578063S

(12) **United States Design Patent**  
**Lannoch**

(10) **Patent No.:** **US D578,063 S**  
(45) **Date of Patent:** **\*\* Oct. 7, 2008**

(54) **MOTOR**

(75) Inventor: **Hans-Juergen Lannoch,**  
Linkenheim-Hochstetten (DE)

(73) Assignee: **Sew-Eurodrive GmbH & Co. KG,**  
Bruchsal (DE)

(\*\*) Term: **14 Years**

(21) Appl. No.: **29/241,344**

(22) Filed: **Oct. 25, 2005**

(30) **Foreign Application Priority Data**

Apr. 25, 2005 (DE) ..... 4 05 02 296

(51) **LOC (8) Cl.** ..... **13-01**

(52) **U.S. Cl.** ..... **D13/112**

(58) **Field of Classification Search** ..... D13/112,  
D13/113, 114, 122, 199; D15/3, 5, 199;  
310/10, 40 R, 42, 51, 58, 85, 89, 91, 109,  
310/236, 239, 254; 318/245, 255  
See application file for complete search history.

(56) **References Cited**

**U.S. PATENT DOCUMENTS**

D137,665 S \* 4/1944 Heintz ..... D13/113  
D207,401 S \* 4/1967 Andrews et al. .... D13/114  
D236,985 S \* 9/1975 Baumann ..... D13/114  
4,244,098 A \* 1/1981 Barcus ..... 29/596

D310,816 S \* 9/1990 Sawato et al. .... D13/112  
D314,742 S \* 2/1991 Sieber ..... D13/114  
D336,890 S \* 6/1993 Hirose et al. .... D13/112  
5,543,671 A \* 8/1996 Williams ..... 310/71  
D386,744 S \* 11/1997 Urvoy ..... D13/112  
D424,516 S \* 5/2000 Friedrichsen ..... D13/112

\* cited by examiner

*Primary Examiner*—Prabhakar Deshmukh

*Assistant Examiner*—Derrick Holland

(74) *Attorney, Agent, or Firm*—Kenyon & Kenyon LLP

(57) **CLAIM**

The ornamental design for a motor, as shown and described.

**DESCRIPTION**

FIG. 1 is a perspective view of a motor showing my new design.

FIG. 2 is a left side view thereof.

FIG. 3 is a right side view thereof.

FIG. 4 is a rear view thereof.

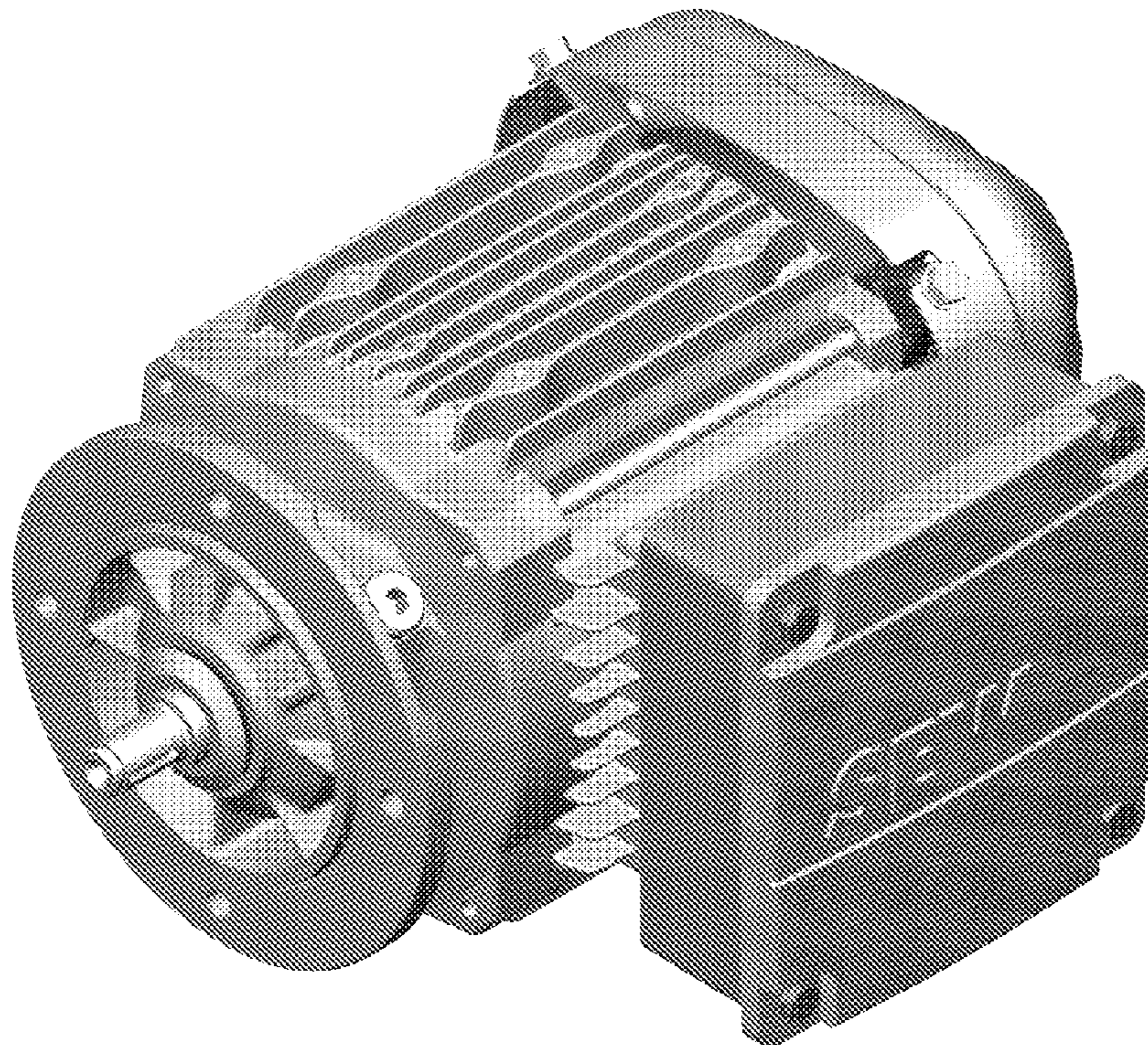
FIG. 5 is a front view thereof.

FIG. 6 is a top view thereof; and,

FIG. 7 is a bottom view thereof.

The Figures include an illustration of the logo/written matter, "SEW," which is shown for illustrative purposes and forms no part of the claimed design.

**1 Claim, 7 Drawing Sheets**



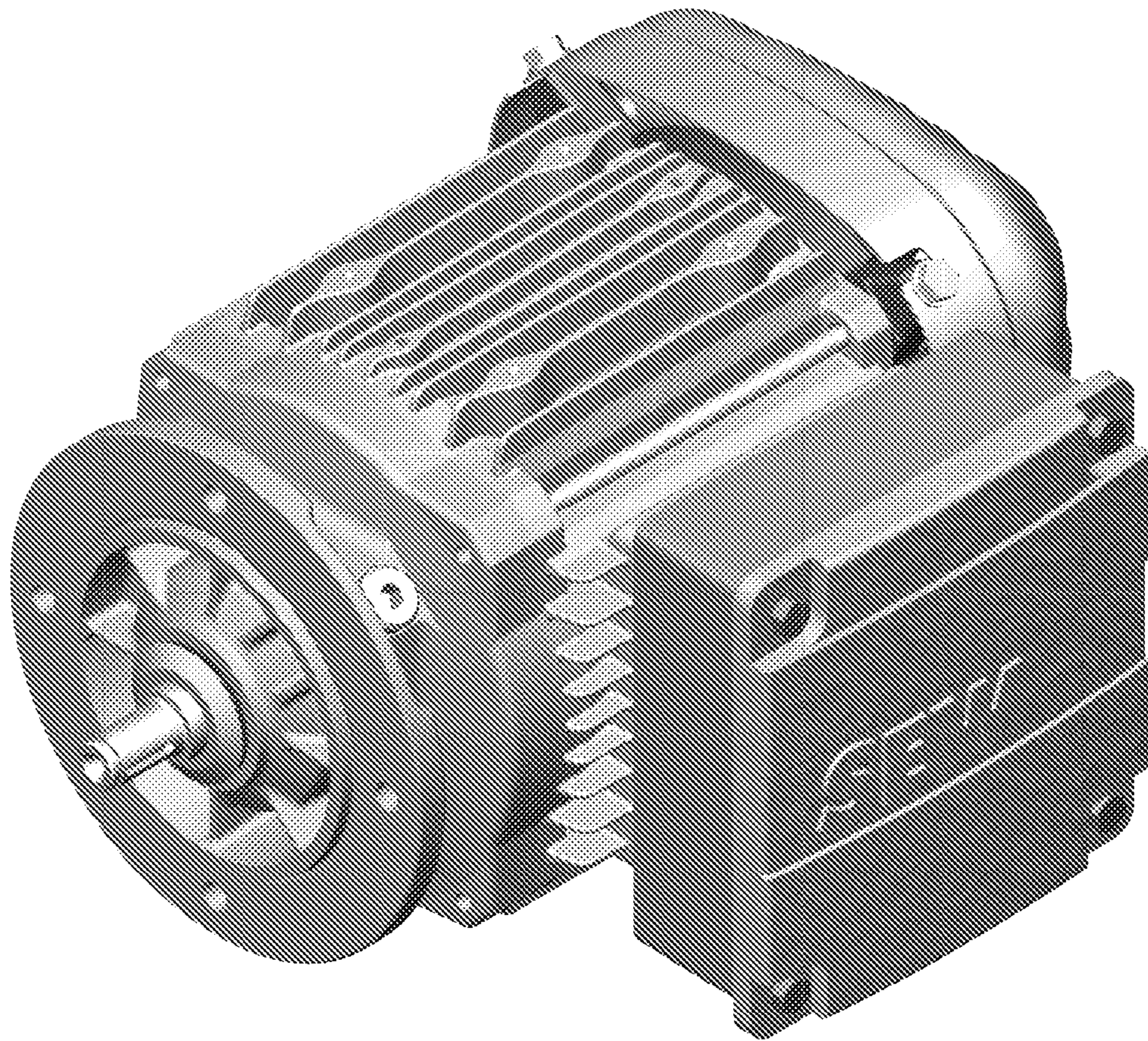


Fig. 1

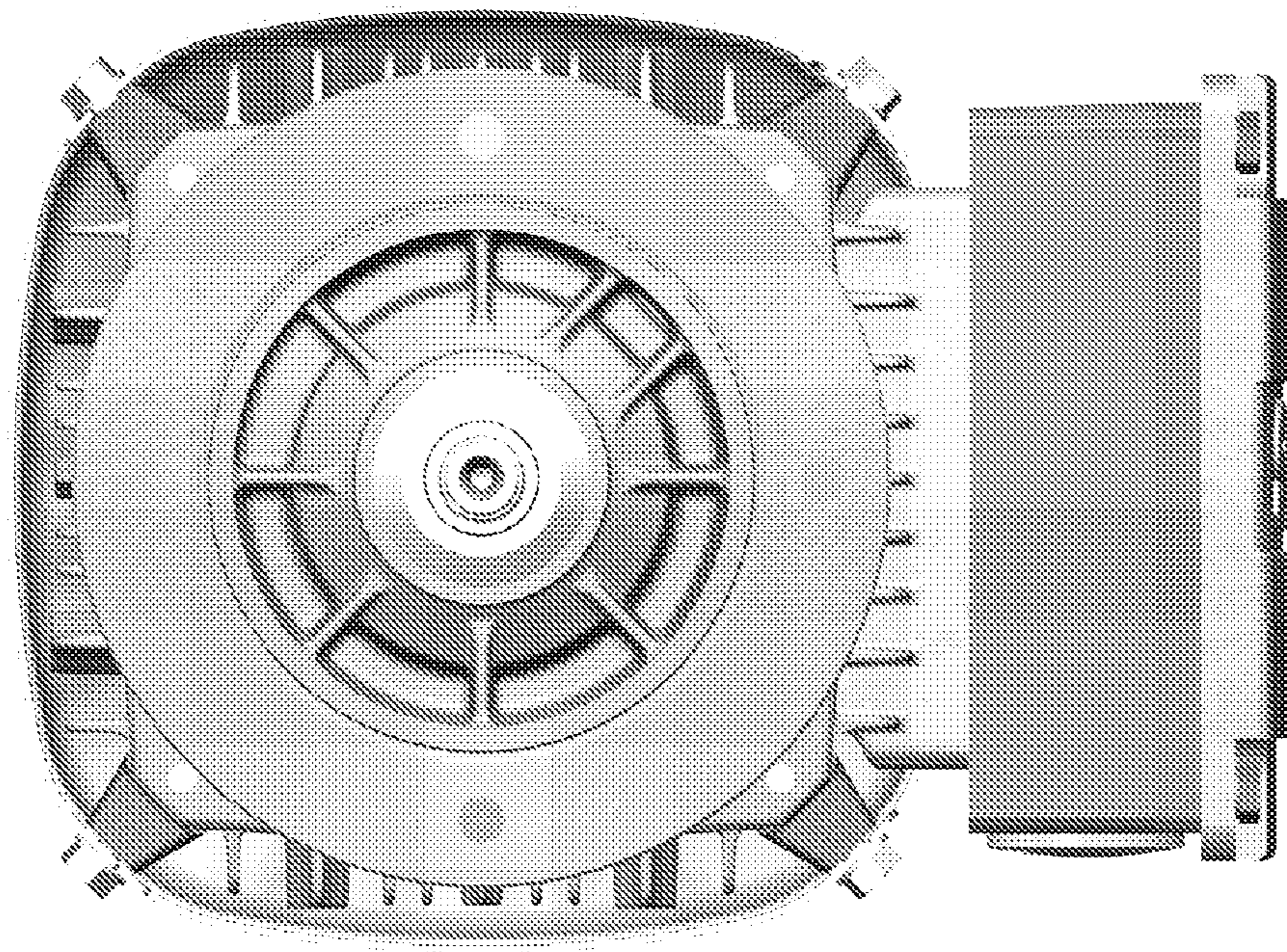


Fig. 2

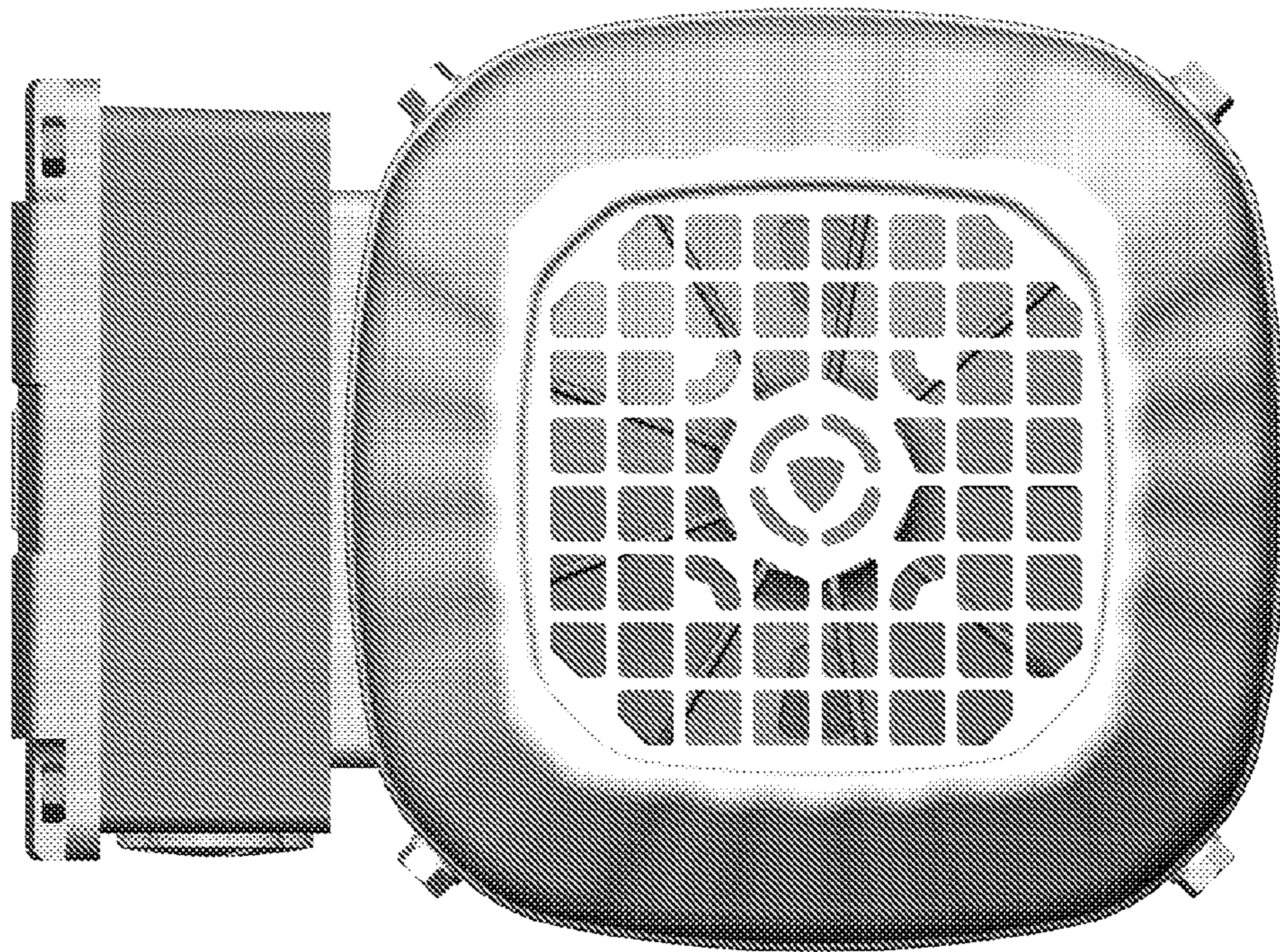


Fig. 3

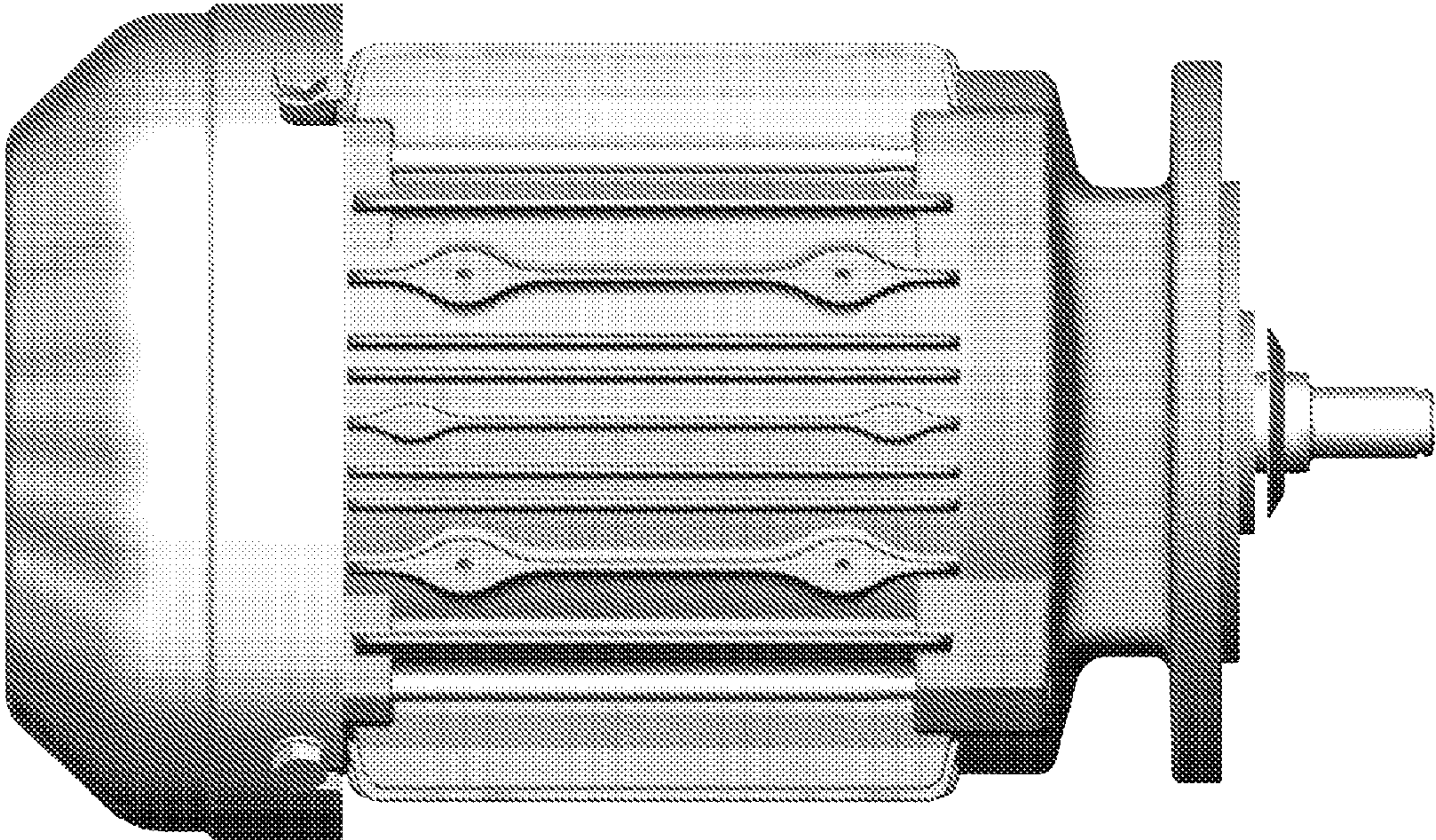


Fig. 4

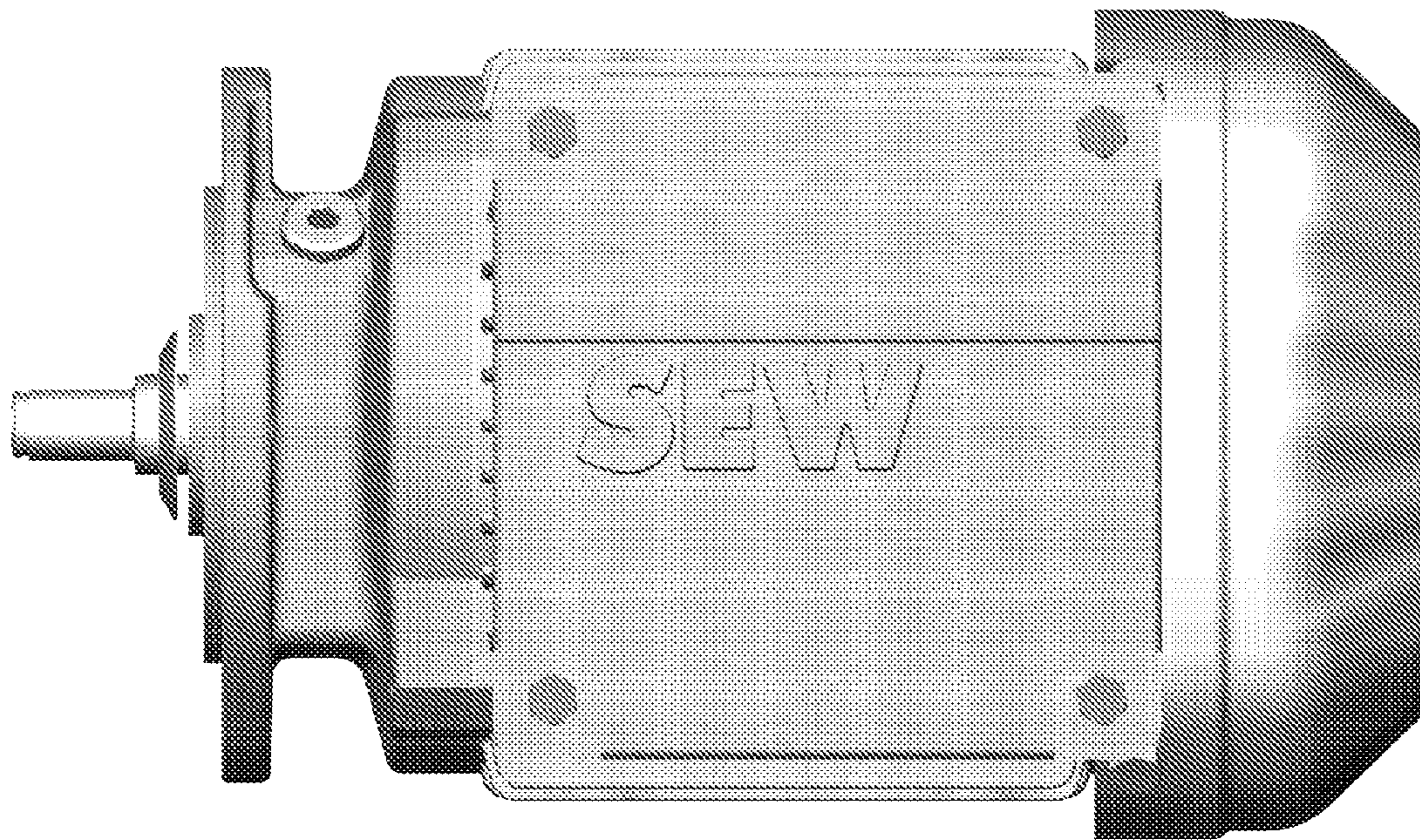


Fig. 5

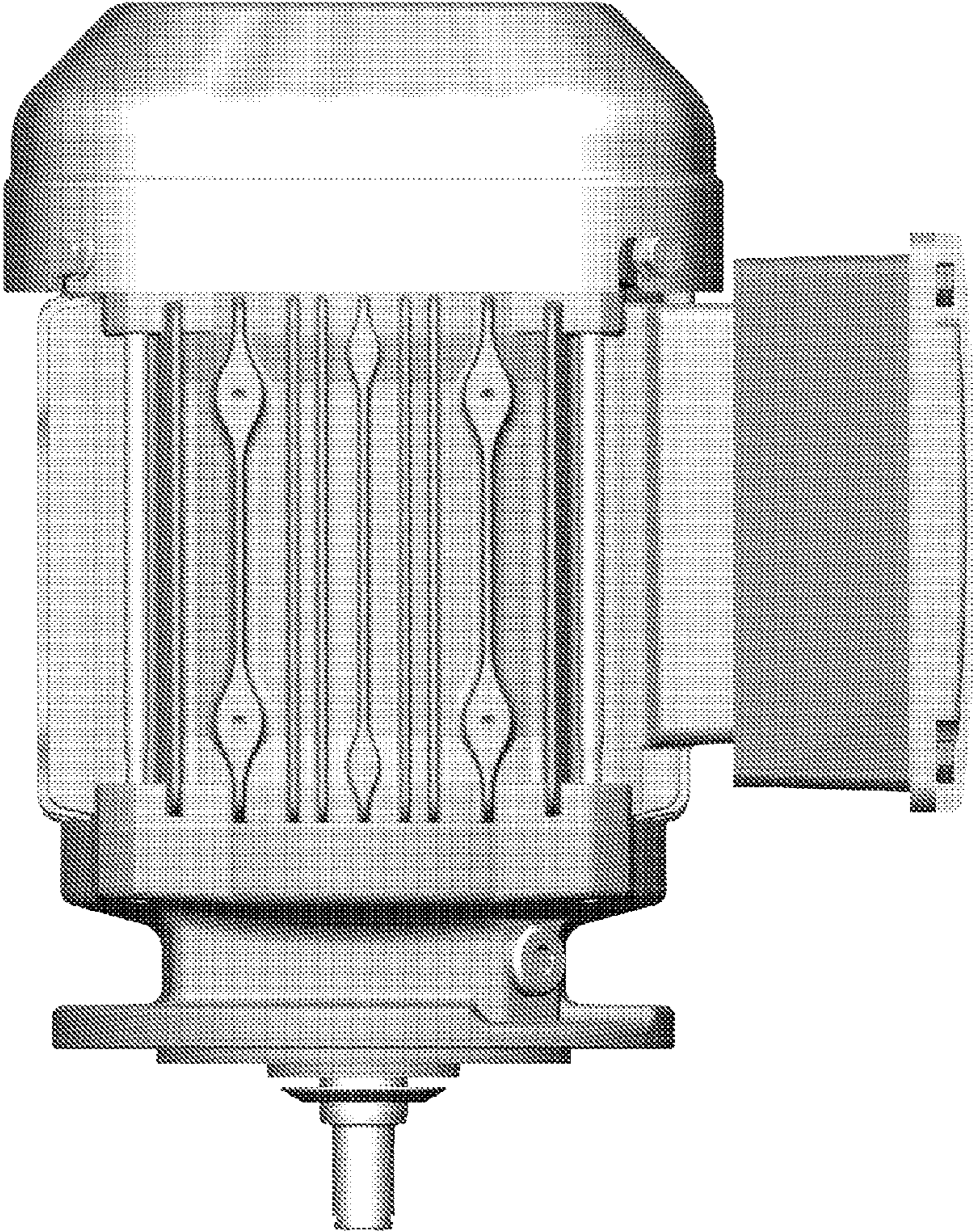


Fig. 6

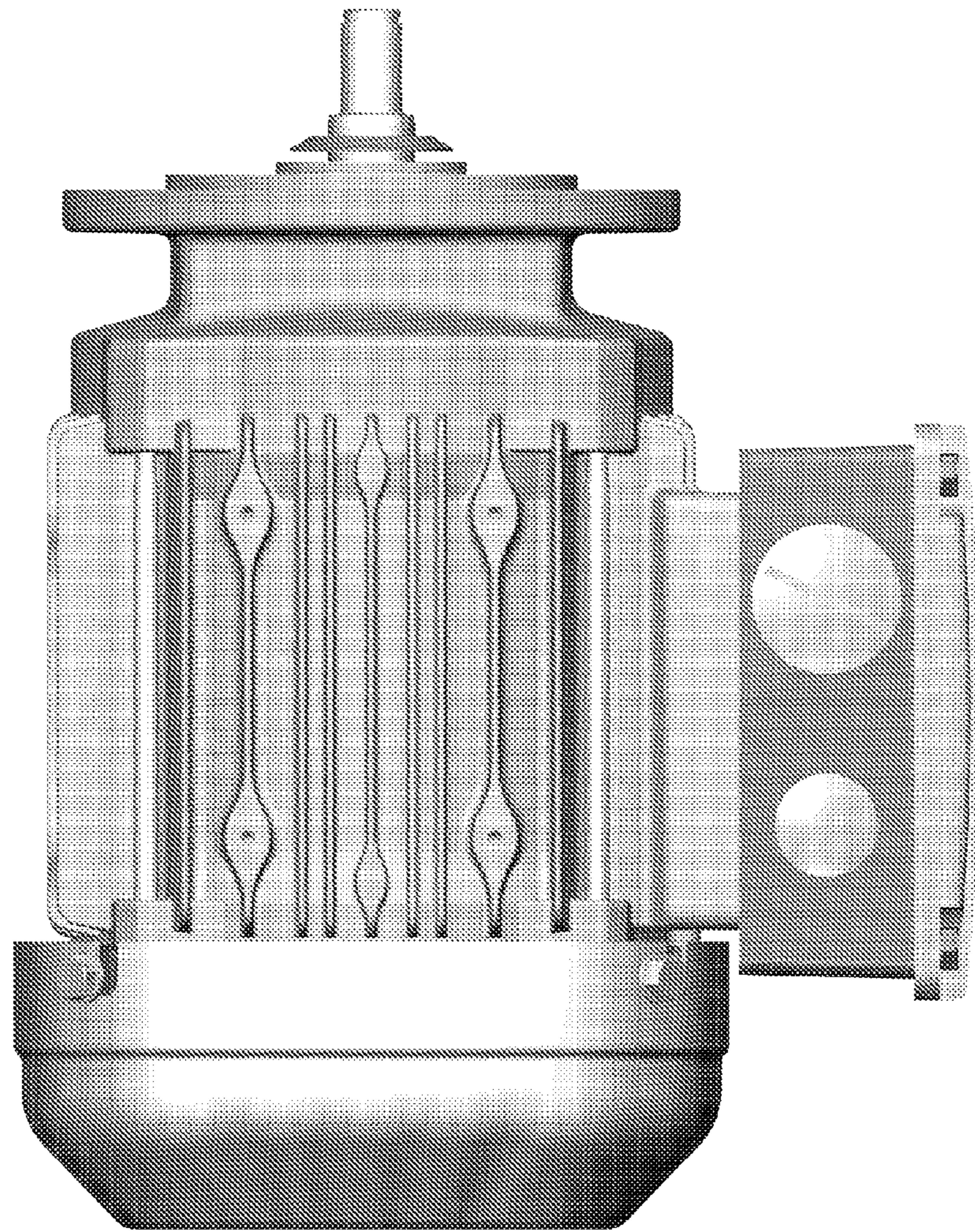


Fig. 7