



US00D578057S

(12) **United States Design Patent**  
**Frenock**

(10) **Patent No.:** **US D578,057 S**  
(45) **Date of Patent:** **\*\* Oct. 7, 2008**

(54) **FLAG HOLDER BRACKET FOR A TRUCK**  
(76) Inventor: **Andrew E. Frenock**, 16891 State Road  
51, Live Oak, FL (US) 32060-5264  
(\*\*) Term: **14 Years**  
(21) Appl. No.: **29/295,747**  
(22) Filed: **Oct. 5, 2007**  
(51) **LOC (8) Cl.** ..... **12-06**  
(52) **U.S. Cl.** ..... **D12/223; D11/182**  
(58) **Field of Classification Search** ..... D11/165,  
D11/166, 167, 168, 169, 170, 171, 172, 173,  
D11/174, 175, 176, 177, 178, 179, 180, 181,  
D11/182, 183; 248/28, 512, 591, 538, 539;  
D20/16, 17, 41, 42; D10/109; D8/379, 378;  
D12/223, 114; D6/495; D25/38-44, 119,  
D25/107, 108, 126, 121, 122, 127, 156, 118,  
D25/62; D3/5-17; 116/114.28 R, 173; 33/264;  
224/400, 401, 402, 448, 521-529, 507, 508  
See application file for complete search history.

2,552,879 A 5/1951 Woerner  
2,605,778 A 8/1952 Clapper  
2,632,850 A 3/1953 Anderson  
2,750,213 A 6/1956 Sale  
2,908,099 A 10/1959 Burke  
2,993,465 A 7/1961 Ginsley et al.  
3,060,605 A 10/1962 Flack  
3,136,289 A 6/1964 Johnson  
3,166,199 A 1/1965 Hawkins et al.  
3,178,139 A 4/1965 McFarlin  
3,260,486 A 7/1966 Groff  
3,493,203 A 2/1970 Gualano  
3,540,685 A 11/1970 Gualano  
3,563,200 A 2/1971 Grossman  
3,643,902 A 2/1972 Gualano  
3,762,360 A 10/1973 Hawes  
3,791,337 A 2/1974 Schamblin

(Continued)

*Primary Examiner*—Louis S Zarfaz  
*Assistant Examiner*—Michael A Pratt  
(74) *Attorney, Agent, or Firm*—Paul & Paul

(56) **References Cited**

**U.S. PATENT DOCUMENTS**

384,784 A 6/1888 Pihl  
454,553 A 6/1891 Whitten  
840,241 A 1/1907 Nootbaar  
1,443,945 A 2/1923 Cappell  
1,459,445 A 6/1923 Elderton et al.  
1,463,409 A 7/1923 Theiss  
1,575,614 A 3/1926 Blaw  
1,811,494 A 6/1931 Conway  
1,834,682 A 12/1931 Colstad  
1,857,774 A 5/1932 Wickman  
1,859,599 A 5/1932 Quinn  
1,893,585 A 1/1933 Hogan  
1,981,938 A 11/1934 Anderson  
2,035,880 A 3/1936 Goodale  
2,074,250 A 3/1937 Bone  
2,093,951 A 9/1937 Bosket  
2,448,752 A 9/1948 Wagner  
2,460,568 A 2/1949 Buehner  
2,546,855 A 3/1951 Frame

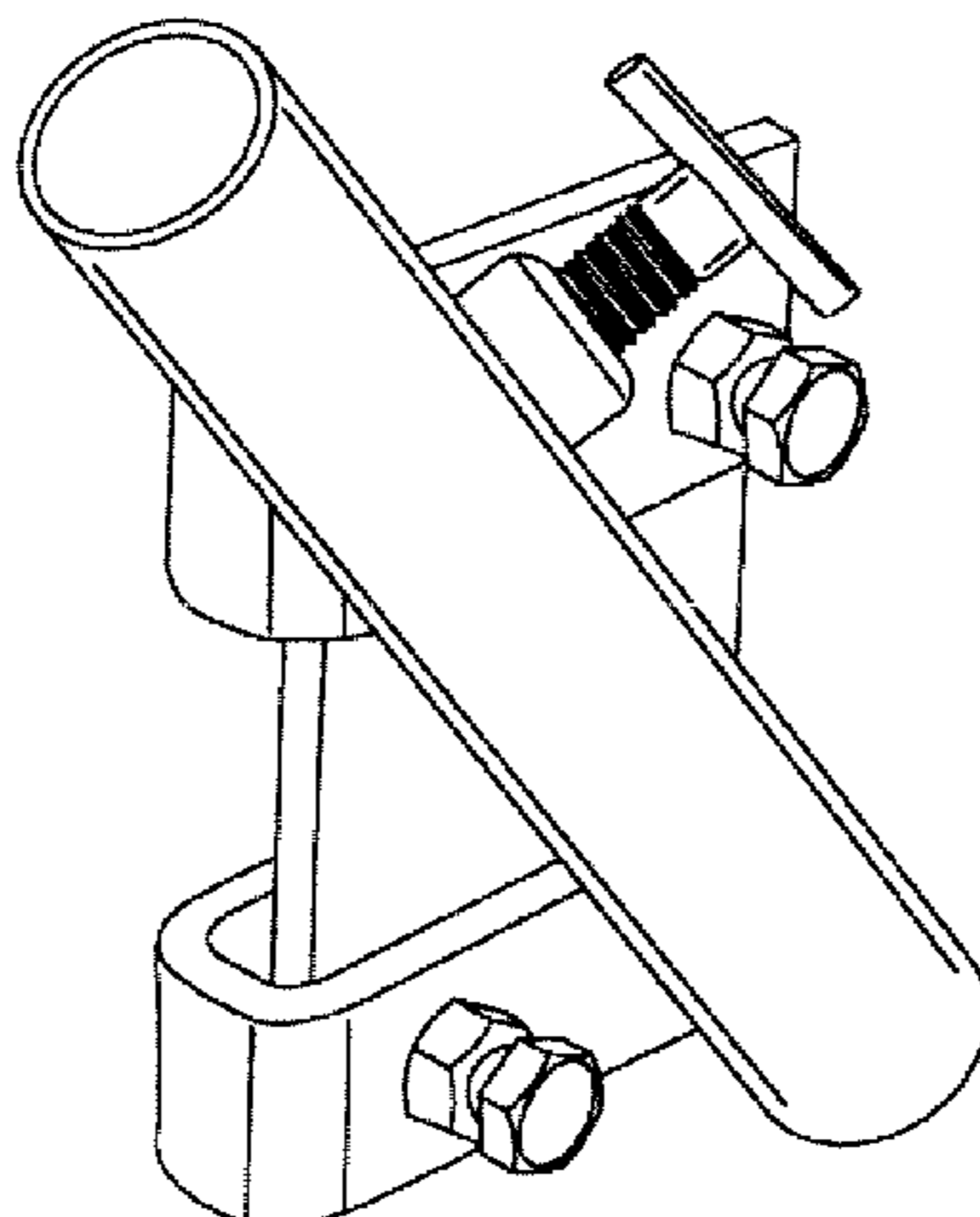
(57) **CLAIM**

The ornamental design for a flag holder bracket for a truck, as shown and described.

**DESCRIPTION**

FIG. 1 is perspective view of the bracket of the present invention;  
FIG. 2 is a front elevation view of the bracket of the present invention;  
FIG. 3 is a back elevation view of the bracket of the present invention;  
FIG. 4 is a left side elevation view of the bracket of FIGS. 2-3;  
FIG. 5 is a right side elevation view of the bracket of FIGS. 2-3;  
FIG. 6 is a top plan view of the bracket of FIGS. 2-3; and,  
FIG. 7 is a bottom plan view of the bracket of the present invention.

**1 Claim, 5 Drawing Sheets**



# US D578,057 S

Page 2

---

| U.S. PATENT DOCUMENTS |     |         |                     |         |         |                            |
|-----------------------|-----|---------|---------------------|---------|---------|----------------------------|
|                       |     |         | D449,268            | S *     | 10/2001 | Hanson et al. .... D12/223 |
|                       |     |         | 6,295,945           | B1      | 10/2001 | Amanze                     |
|                       |     |         | D477,245            | S *     | 7/2003  | Luo ..... D11/183          |
|                       |     |         | 7,232,099           | B1 *    | 6/2007  | Wilcox ..... 248/228.1     |
|                       |     |         | 2006/0102822        | A1 *    | 5/2006  | Liang ..... 248/514        |
| 3,920,207             | A   | 11/1975 | Adamaiits           |         |         |                            |
| 4,582,017             | A   | 4/1986  | Ostermiller         |         |         |                            |
| 4,593,877             | A   | 6/1986  | van der Wyk         |         |         |                            |
| D306,396              | S * | 3/1990  | Brushaber .....     | D12/317 |         |                            |
| D340,676              | S * | 10/1993 | Gallagher .....     | D11/181 |         |                            |
| D361,068              | S * | 8/1995  | Brehmer et al. .... | D14/238 |         |                            |

\* cited by examiner

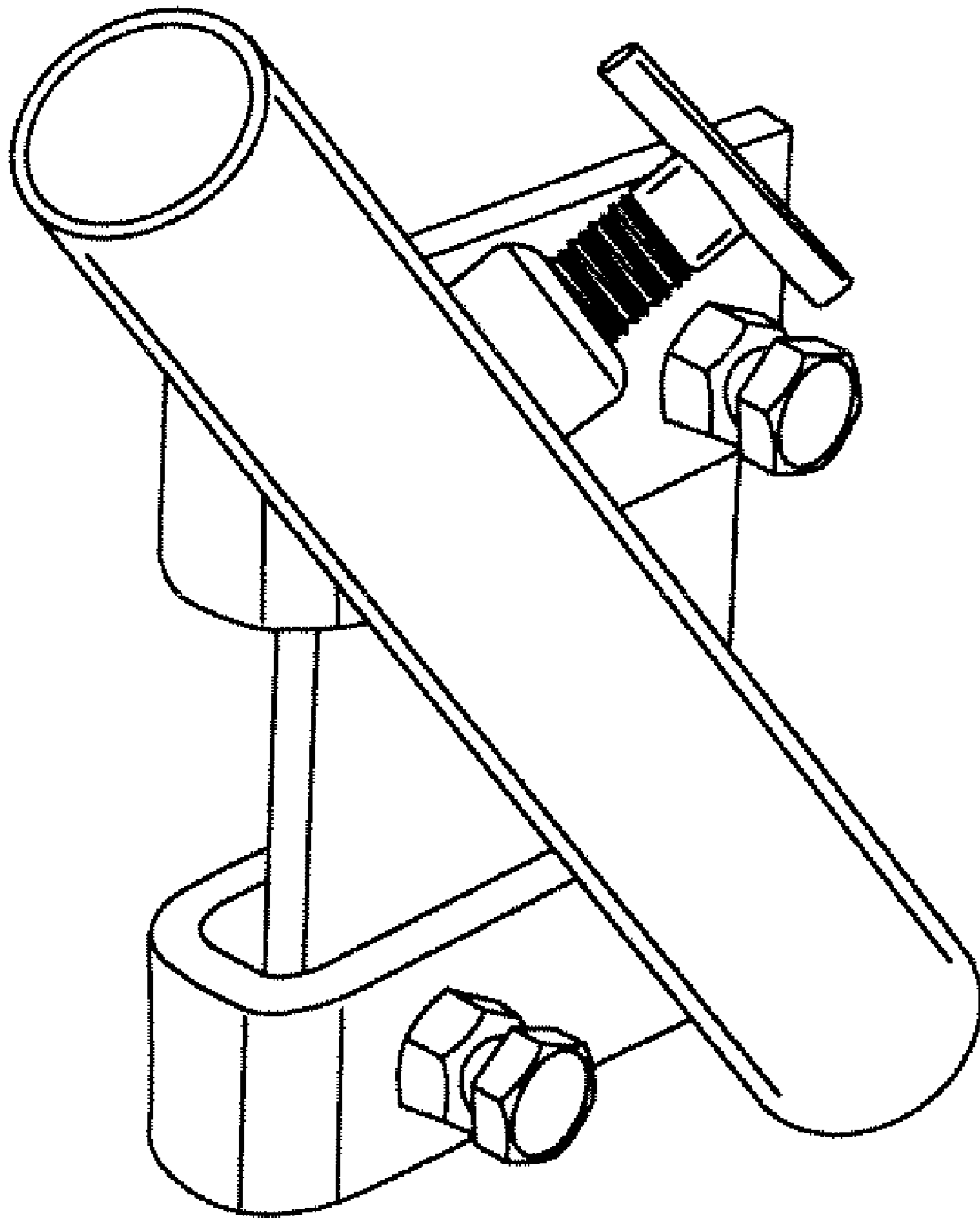


Fig. 1

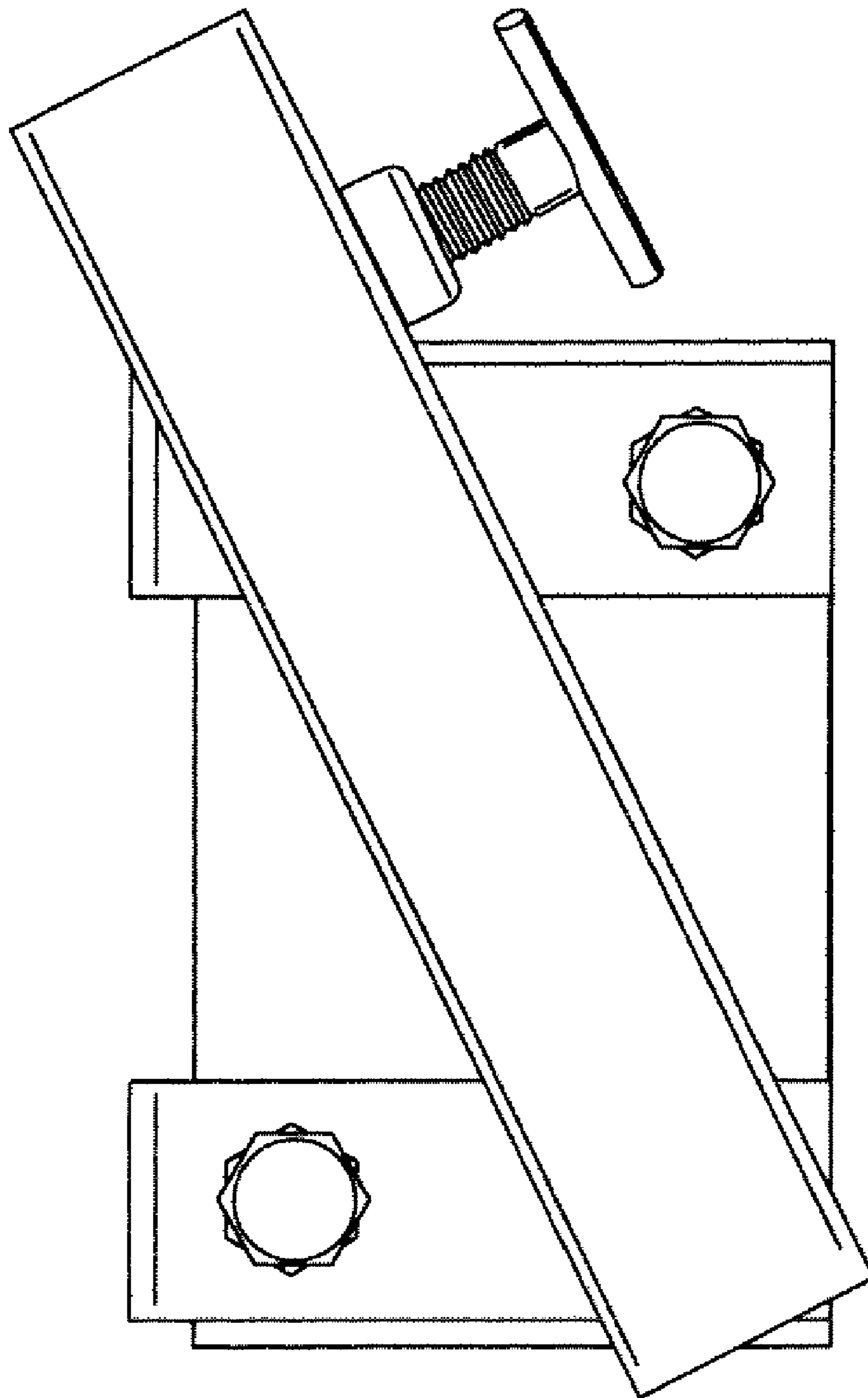


Fig. 2

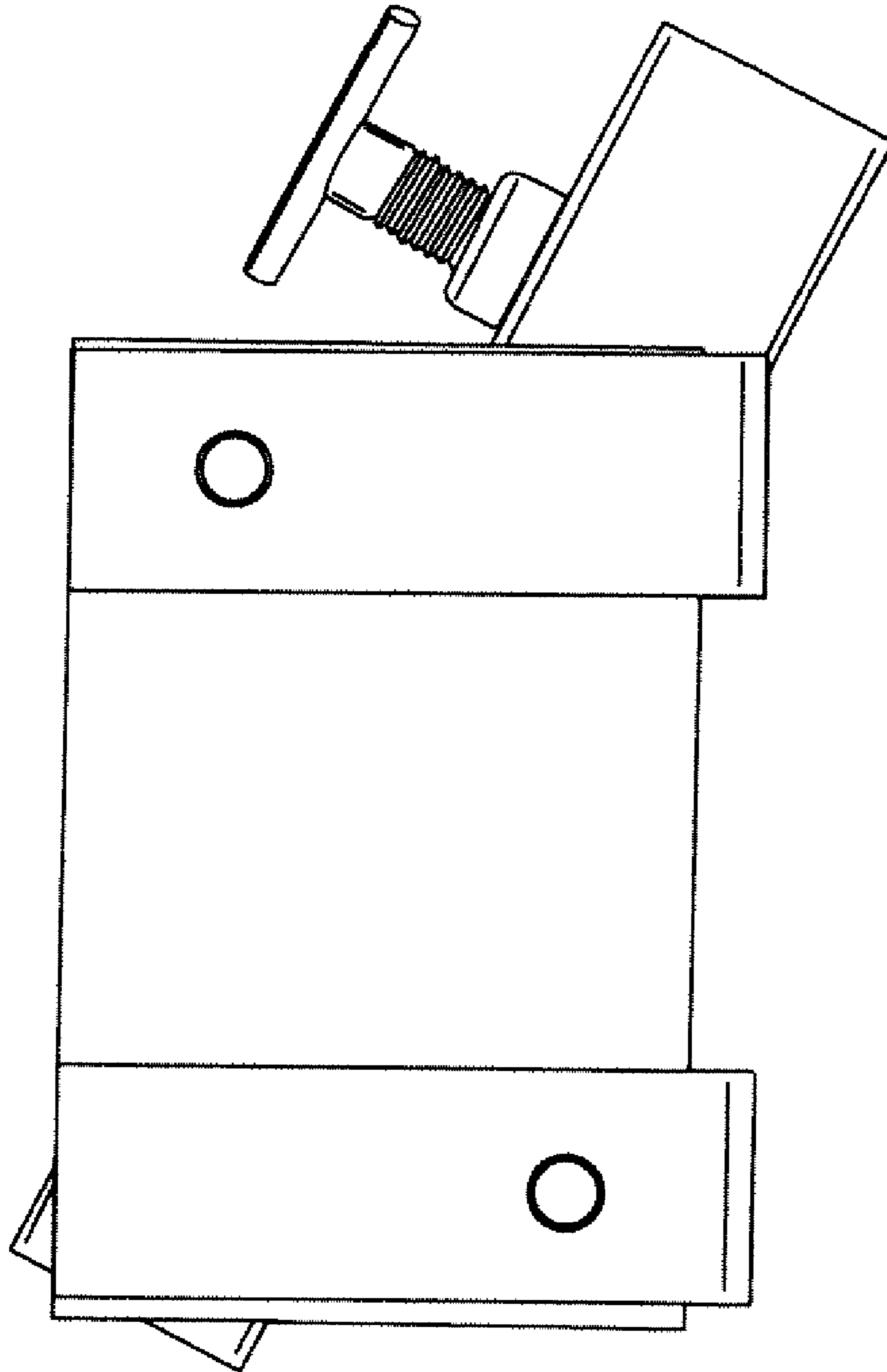


Fig. 3

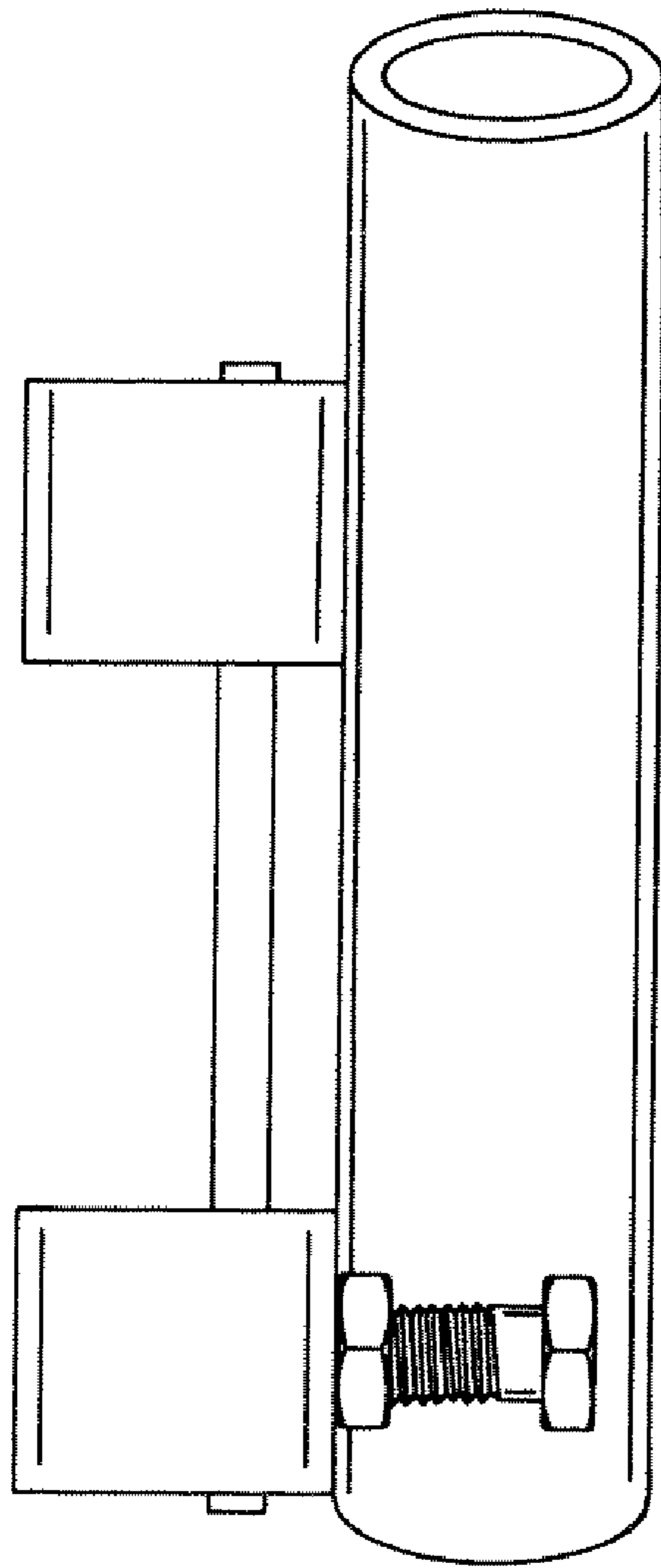


Fig. 4

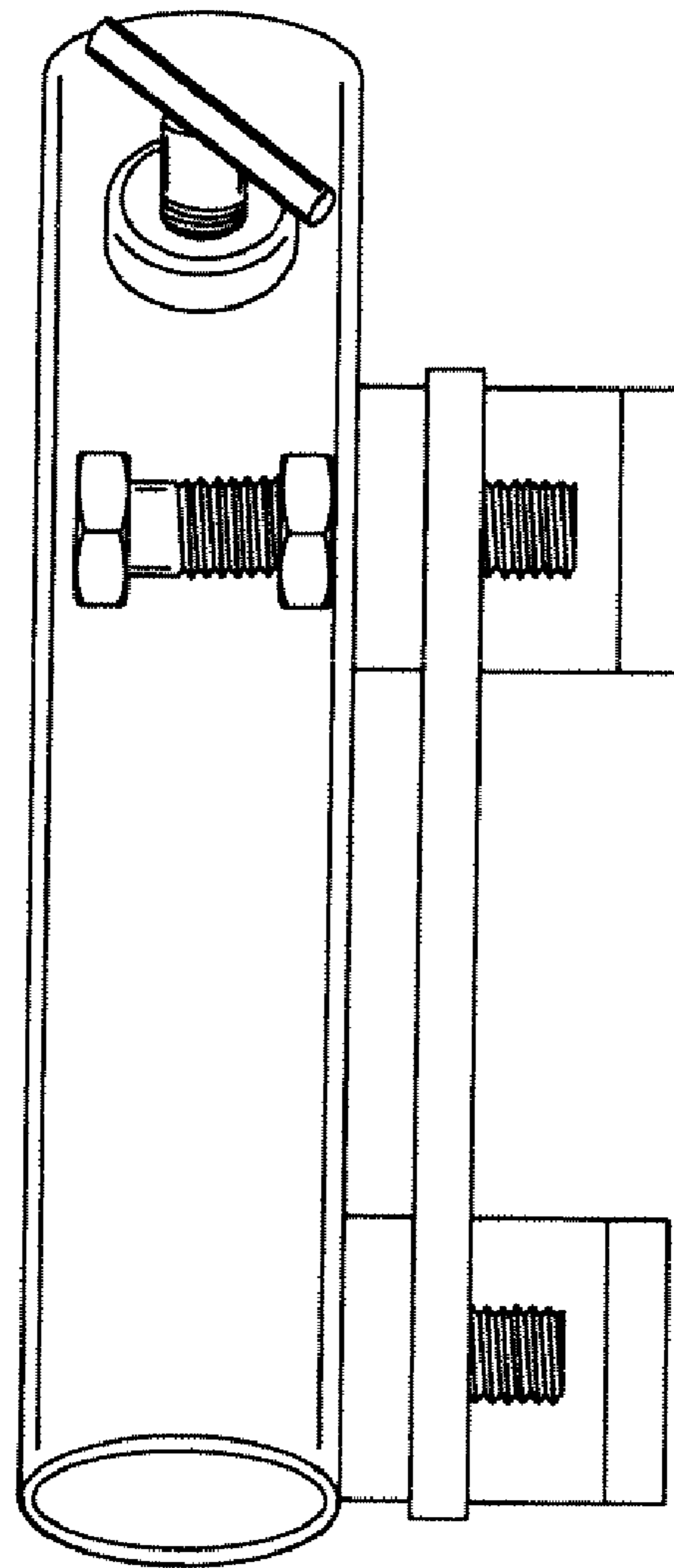


Fig. 5



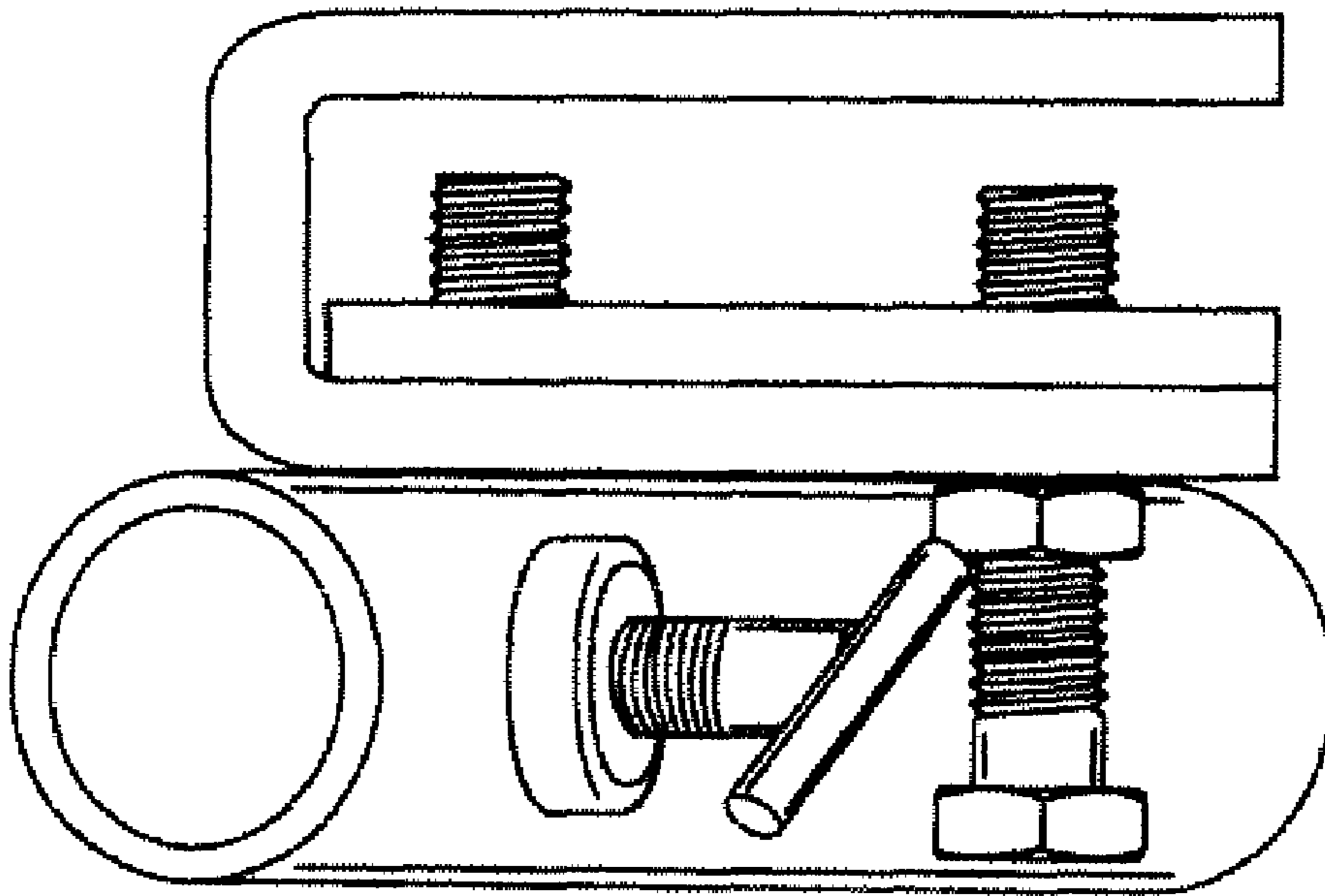


Fig. 6

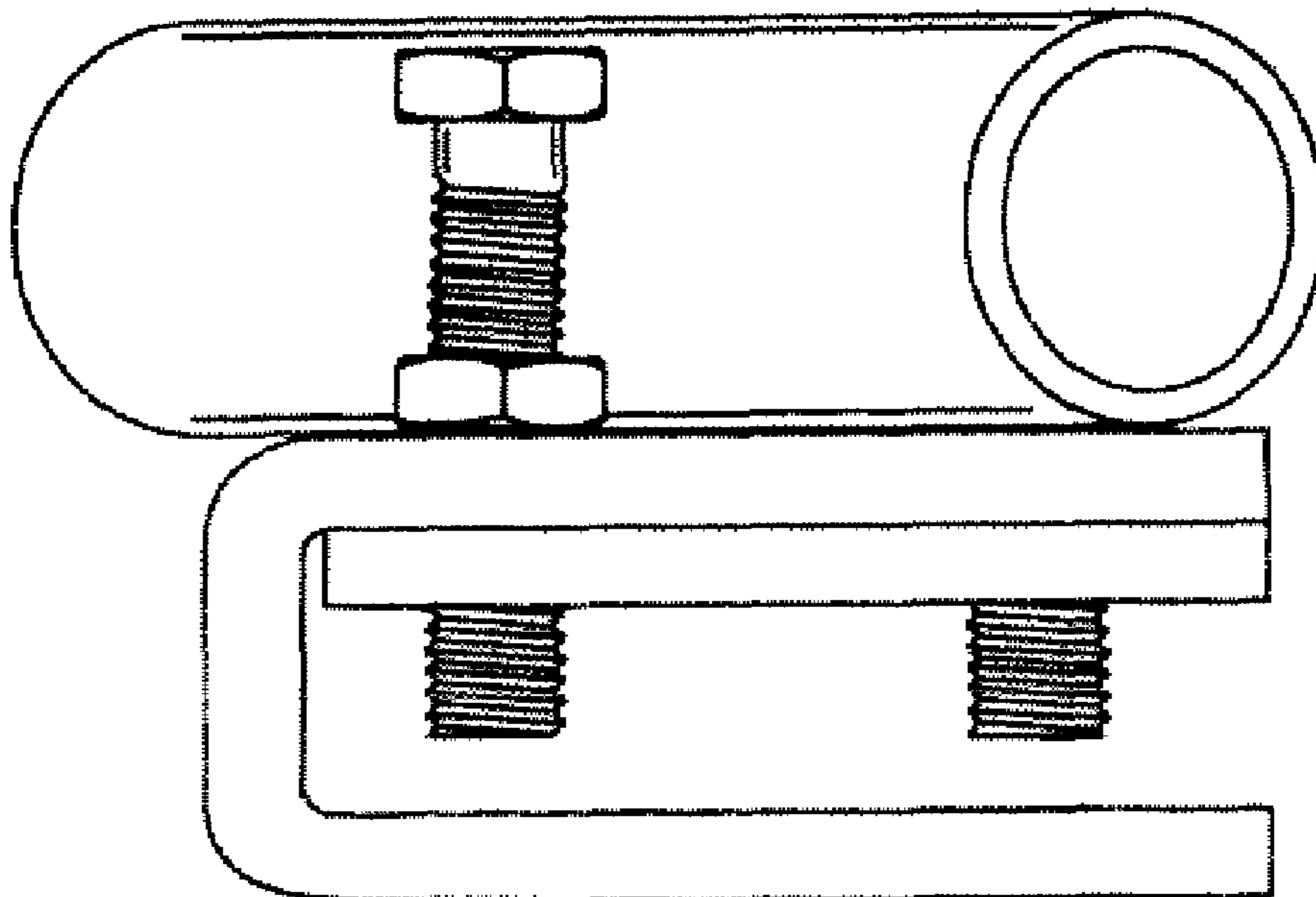


Fig. 7