



US00D578056S

(12) **United States Design Patent**
Cowey

(10) **Patent No.:** **US D578,056 S**

(45) **Date of Patent:** **** Oct. 7, 2008**

(54) **DOCK BUMPER SLIDE MOUNTING**

(76) **Inventor:** **Steven John Cowey**, 24 Ninth Street,
Wingfield 5013, South Australia (AU)

(**) **Term:** **14 Years**

(21) **Appl. No.:** **29/291,457**

(22) **Filed:** **Aug. 30, 2007**

(51) **LOC (8) Cl.** **12-06**

(52) **U.S. Cl.** **D12/223**

(58) **Field of Classification Search** D12/223,
D12/400; D8/349, 354; 248/317, 279.1,
248/200, 205.1, 229.25

See application file for complete search history.

(56) **References Cited**

U.S. PATENT DOCUMENTS

D460,400 S * 7/2002 Manthei D12/223
D516,992 S * 3/2006 Cowey D12/223

* cited by examiner

Primary Examiner—T. Chase Nelson

Assistant Examiner—Sheryl Friedman

(74) *Attorney, Agent, or Firm*—Klauber & Jackson L.L.C.

(57) **CLAIM**

The ornamental design for a dock bumper slide mounting, as shown and described.

DESCRIPTION

FIG. 1 is a left-hand, upper front perspective view showing the dock bumper slide mounting of my new design;

FIG. 2 is a right-hand lower front perspective view thereof;

FIG. 3 is a top view thereof;

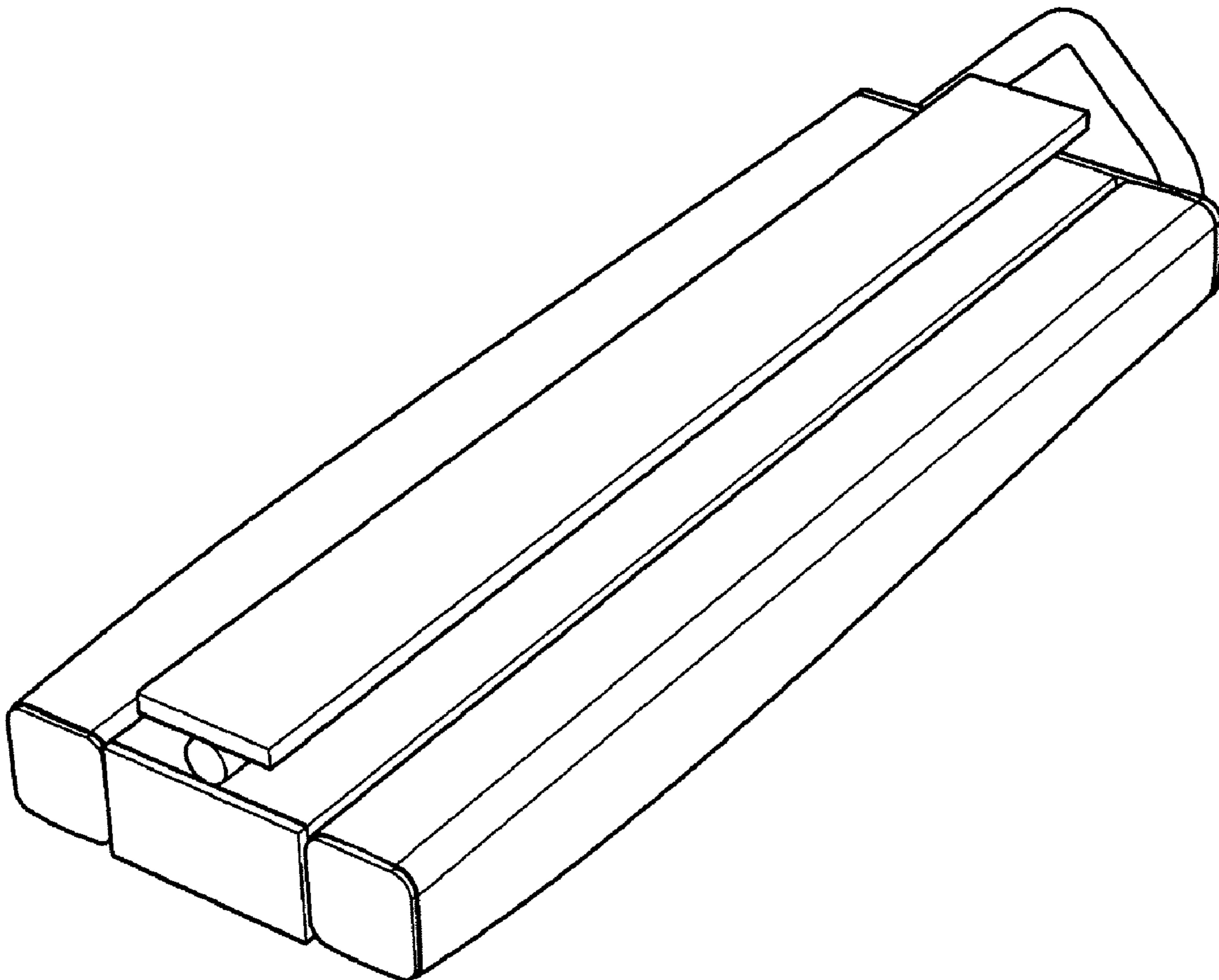
FIG. 4 is a front view thereof;

FIG. 5 is a left side view thereof, the right side view being the mirror image thereof;

FIG. 6 is a rear view thereof; and,

FIG. 7 is a bottom view thereof.

1 Claim, 2 Drawing Sheets



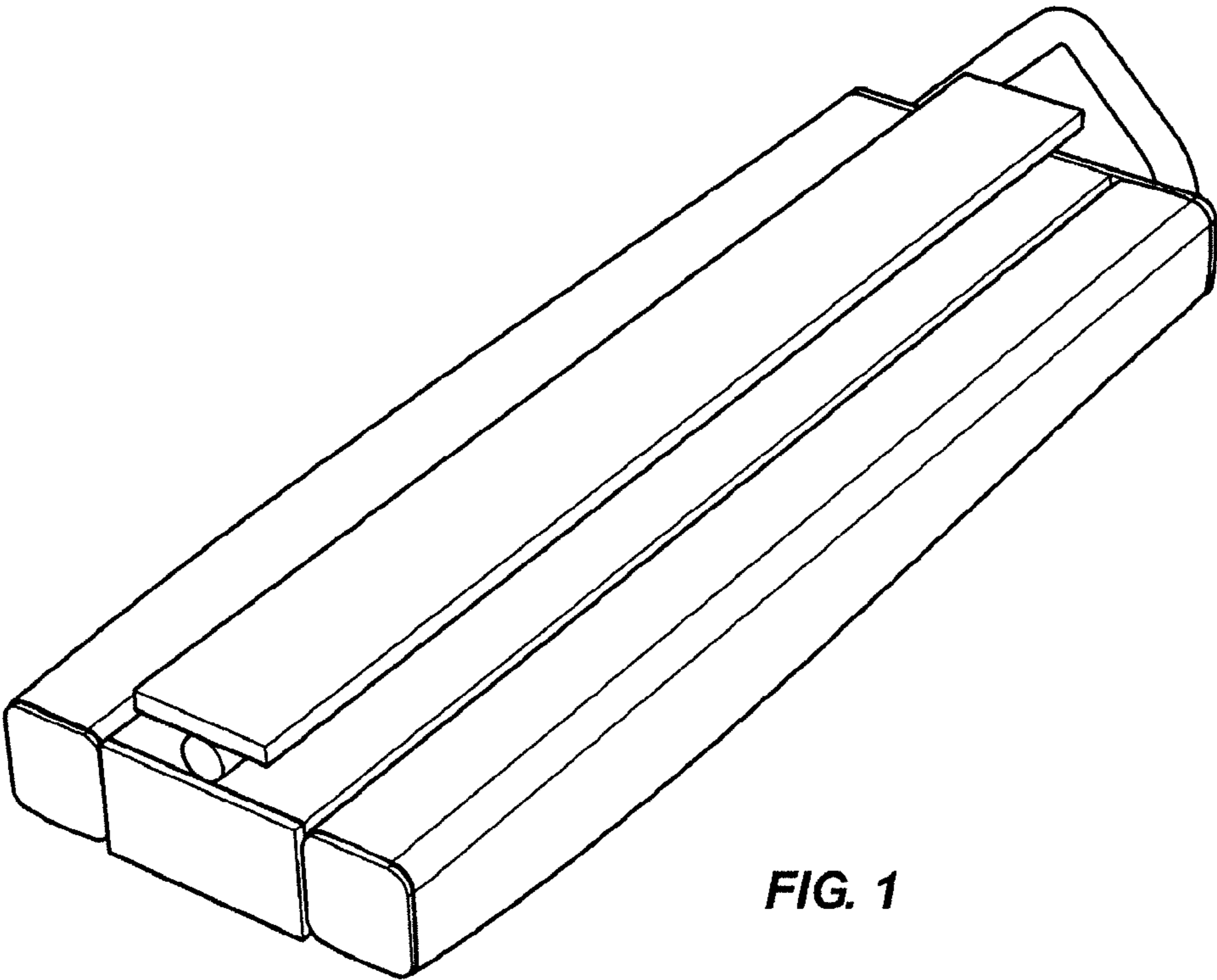


FIG. 1

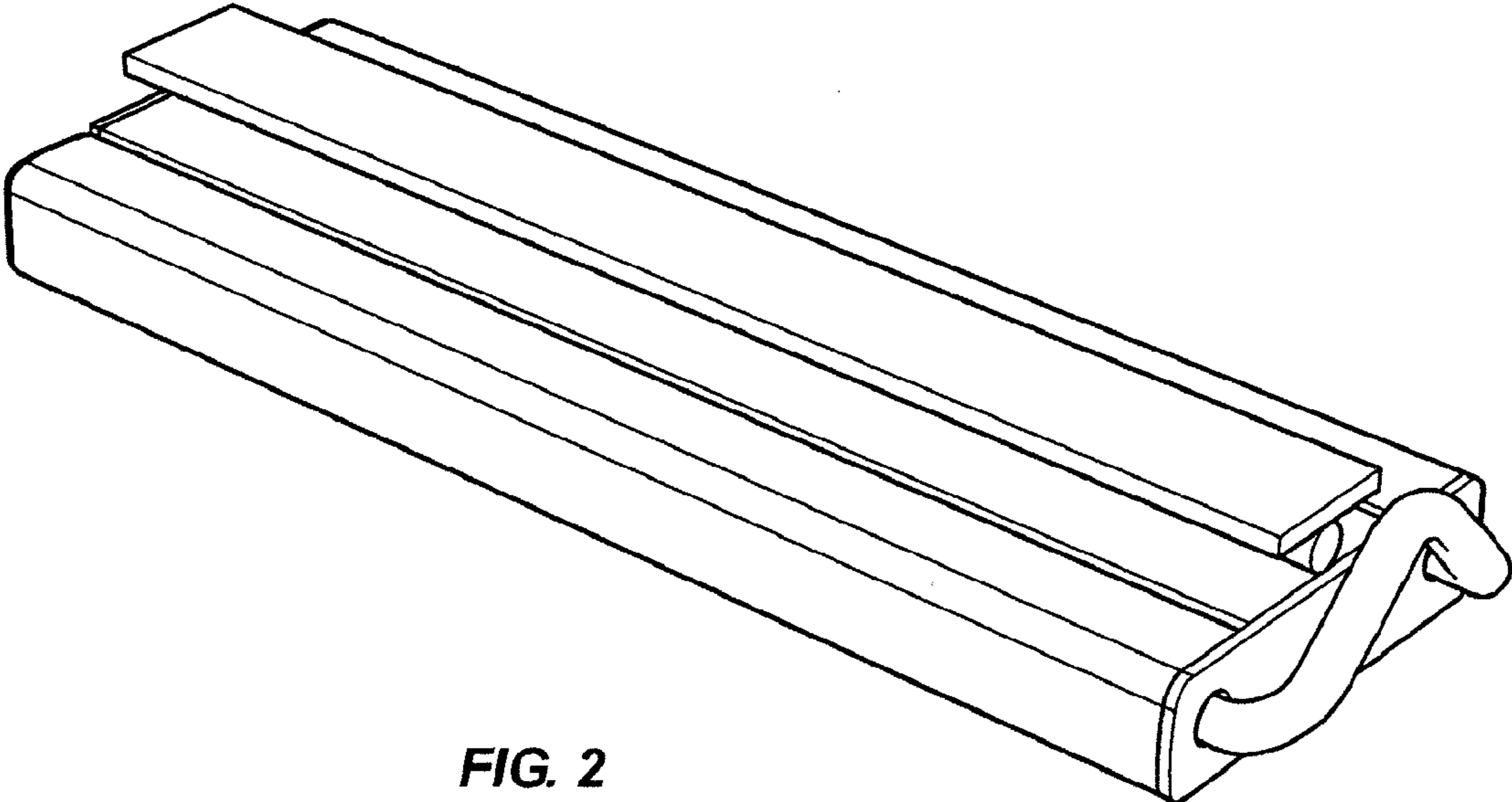


FIG. 2

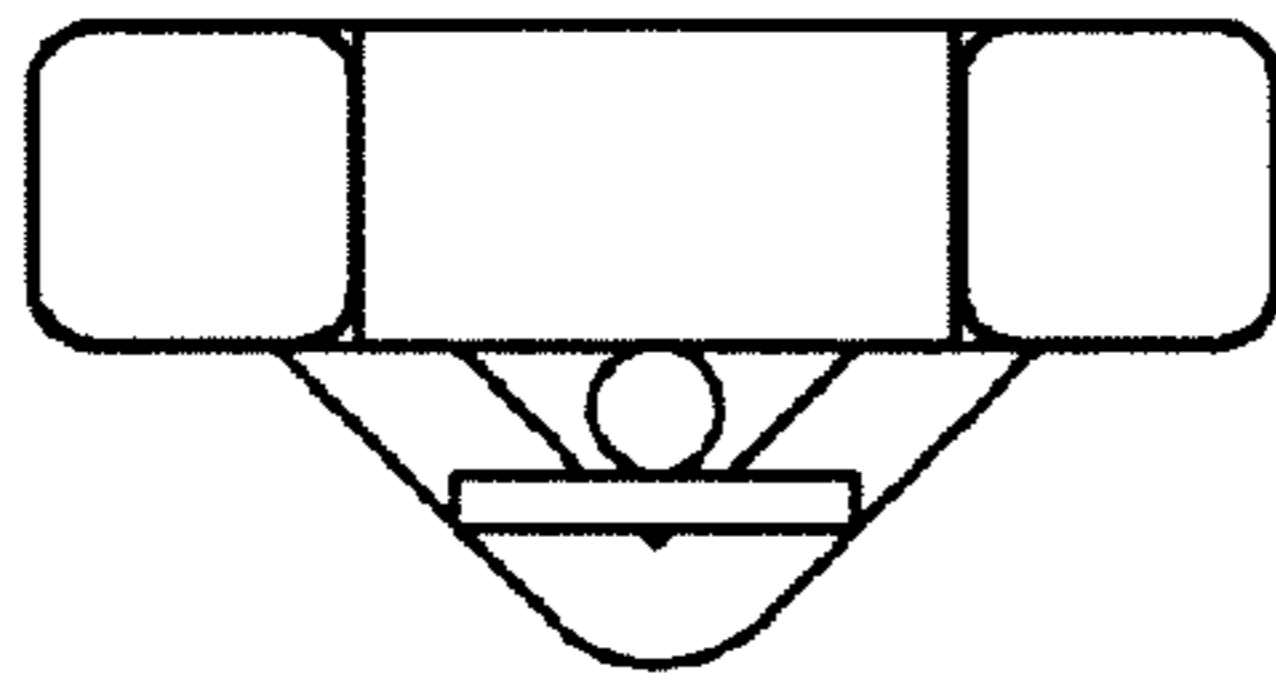


FIG. 3

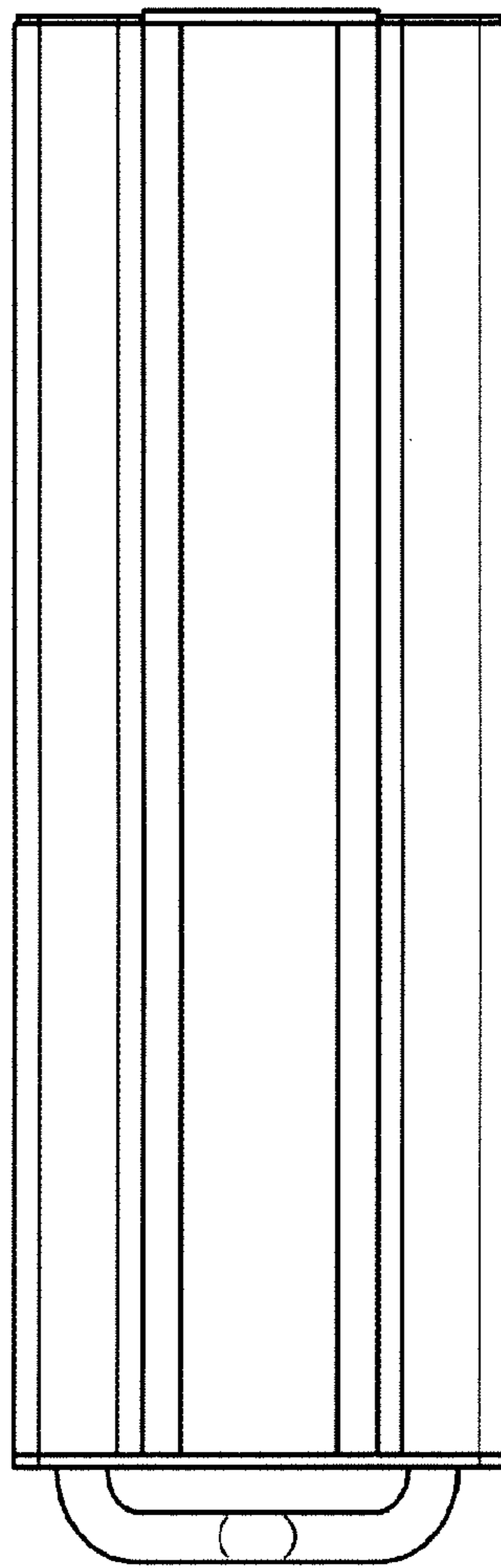


FIG. 4

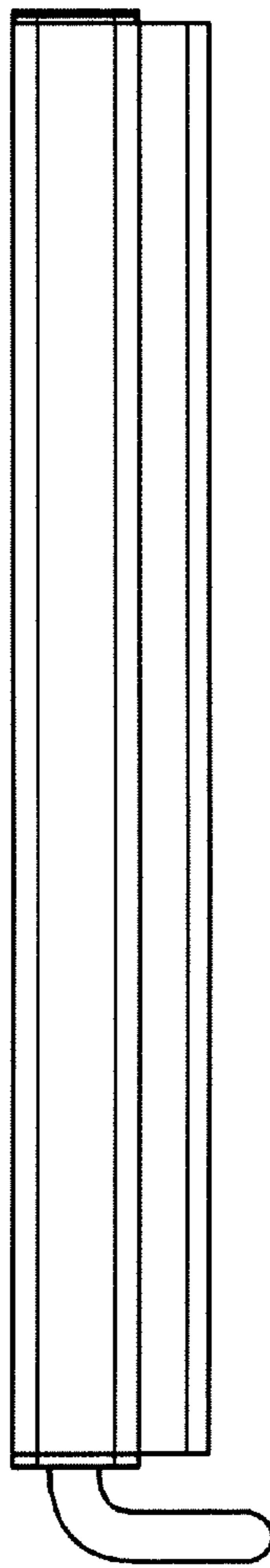


FIG. 5

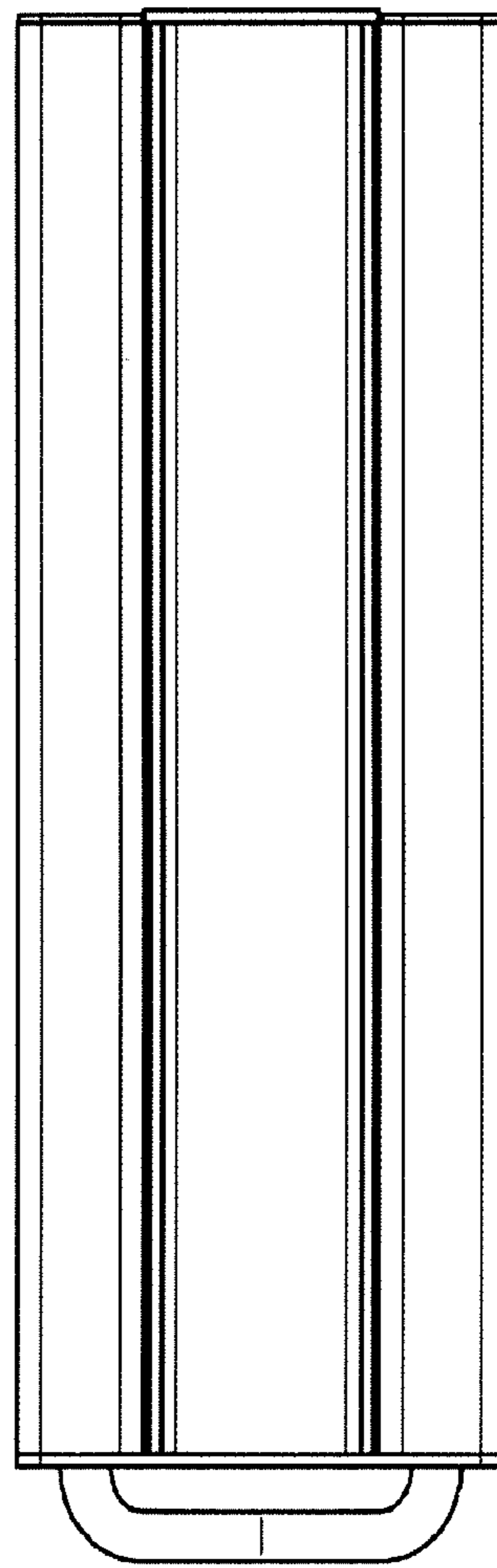


FIG. 6

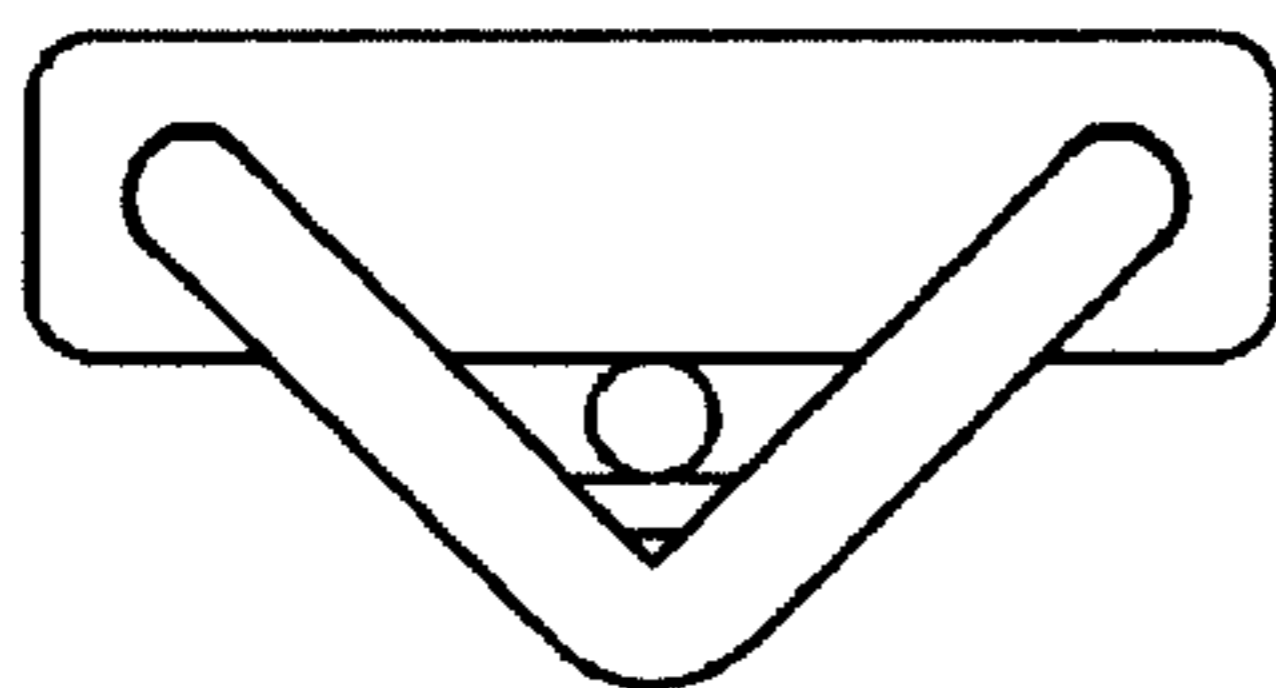


FIG. 7