



US00D578053S

(12) **United States Design Patent**  
**Neeper**

(10) **Patent No.:** **US D578,053 S**

(45) **Date of Patent:** **\*\* Oct. 7, 2008**

(54) **VEHICLE-WHEEL FRONT FACE**

(75) **Inventor:** **Mark D. Neeper**, Denver, CO (US)

(73) **Assignee:** **Mobile Hi-Tech Wheels**, Garden Grove, CA (US)

(\*\*) **Term:** **14 Years**

(21) **Appl. No.:** **29/308,339**

(22) **Filed:** **Jun. 10, 2008**

(51) **LOC (8) Cl.** ..... **12-16**

(52) **U.S. Cl.** ..... **D12/211**

(58) **Field of Classification Search** ..... D12/204–213;  
301/37.101, 64.101, 65, 64.201  
See application file for complete search history.

(56) **References Cited**

**U.S. PATENT DOCUMENTS**

D402,951 S	*	12/1998	Wechner	.....	D12/211
D479,178 S	*	9/2003	Lai	.....	D12/211
D489,033 S	*	4/2004	Lee	.....	D12/211
D493,764 S	*	8/2004	Sulahian	.....	D12/211
D499,686 S	*	12/2004	Song	.....	D12/211

D516,489 S	*	3/2006	Alonso	.....	D12/211
D516,991 S	*	3/2006	Guevara	.....	D12/211
D528,957 S	*	9/2006	Kim	.....	D12/209
D555,065 S	*	11/2007	Hernandez	.....	D12/211
D569,777 S	*	5/2008	Chung	.....	D12/211

\* cited by examiner

*Primary Examiner*—Stacia Cadmus

(74) *Attorney, Agent, or Firm*—Christie, Parker & Hale LLP

(57) **CLAIM**

The ornamental design for vehicle-wheel front face, as shown and described.

**DESCRIPTION**

FIG. 1 is a perspective view of a vehicle wheel front face according to my new design;

FIG. 2 is a front elevational view thereof; and,

FIG. 3 is a side elevational view thereof.

The broken line showing of the wheel rim is included for the purpose of illustrating environment and forms no part of the claimed design.

**1 Claim, 3 Drawing Sheets**

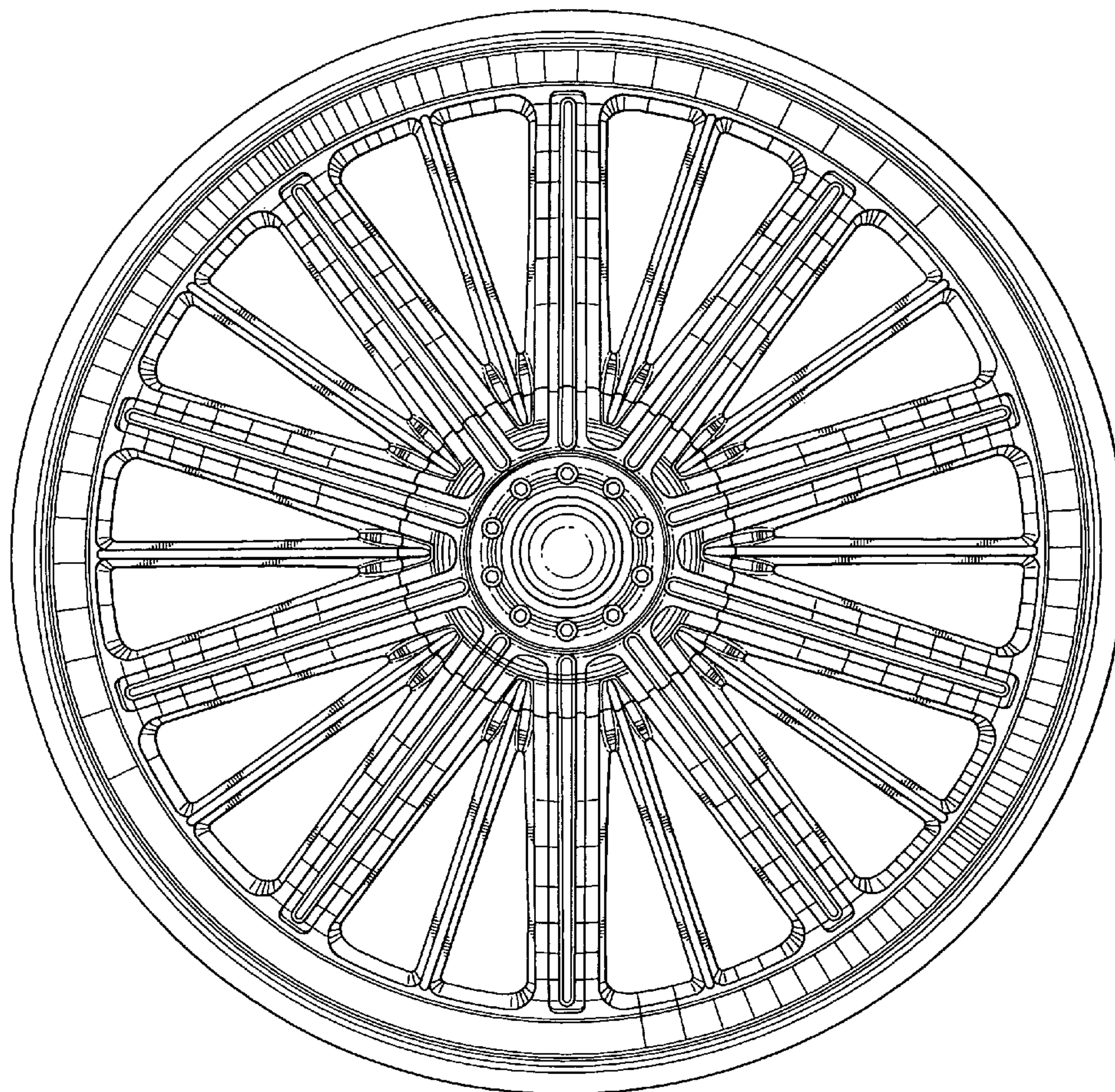




FIG. 1

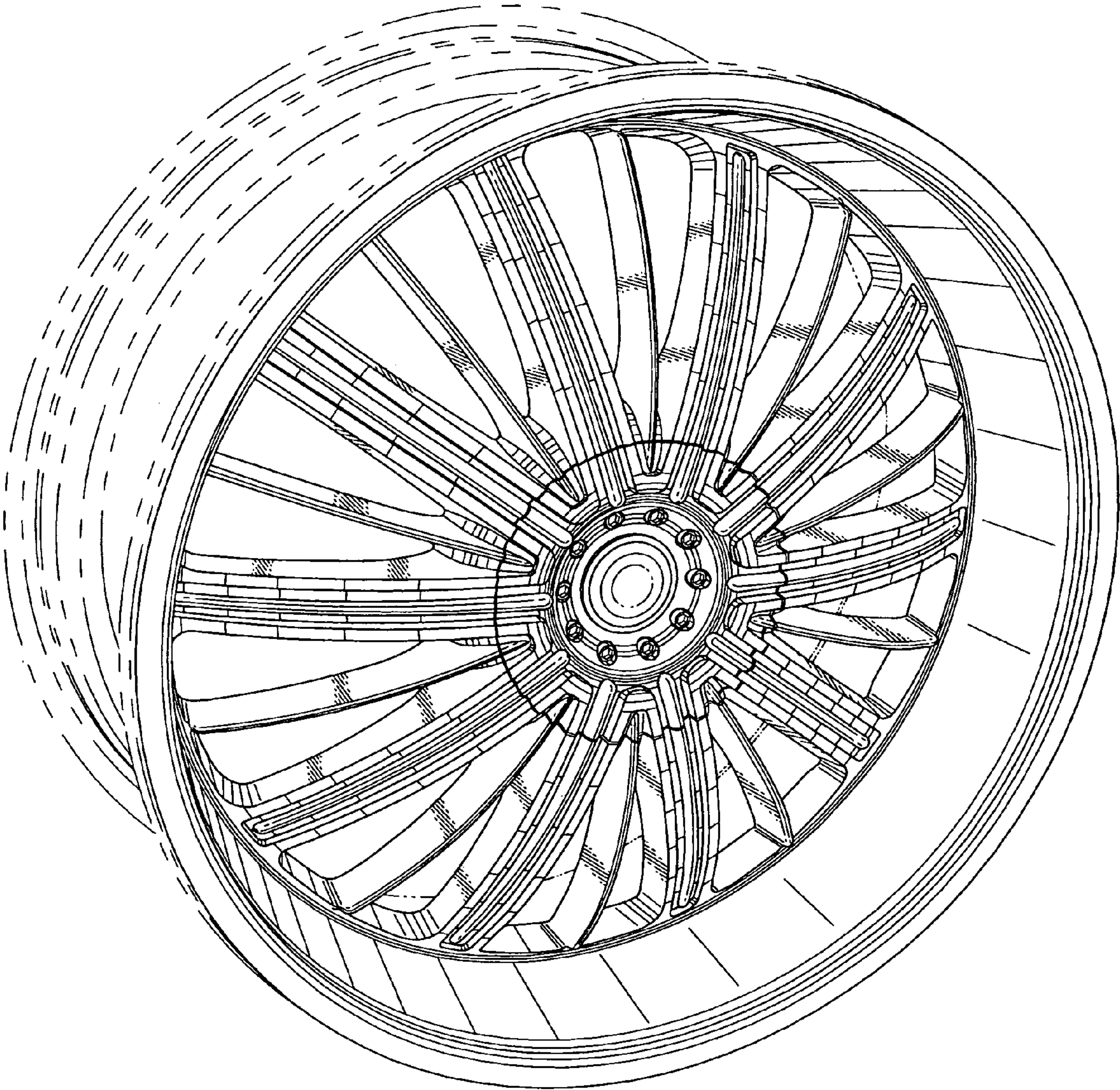
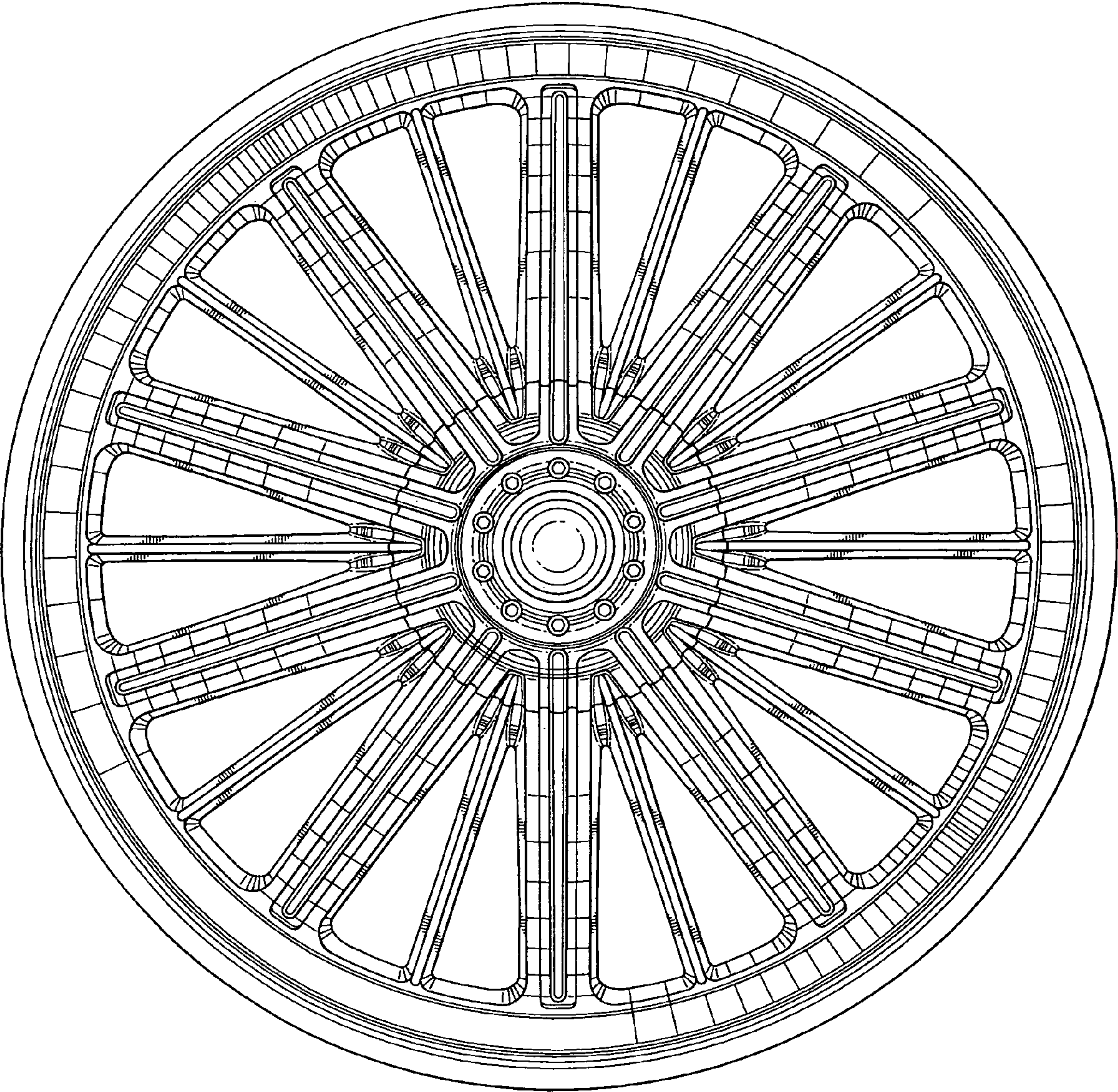




FIG. 2



*FIG. 3*

