



US00D578049S

(12) **United States Design Patent**
Son

(10) **Patent No.:** **US D578,049 S**
(45) **Date of Patent:** **** Oct. 7, 2008**

(54) **LICENSE PLATE HOLDER WITH REARVIEW CAMERA**

D496,312 S * 9/2004 Sybilrud et al. D12/193
D516,483 S * 3/2006 Eidsmore D12/193
D537,765 S * 3/2007 Porter D12/193
D564,429 S * 3/2008 Hirth et al. D12/193

(76) Inventor: **Kyong-Sik Son**, Sinjeong-Dong 312
Mokdongsinsigaji Apt. 928-105, Yang
Chon-Gu, Seoul (KR)

* cited by examiner

(**) Term: **14 Years**

Primary Examiner—Stacia Cadmus

(74) *Attorney, Agent, or Firm*—John K. Park; Park Law Firm

(21) Appl. No.: **29/317,229**

(57) **CLAIM**

(22) Filed: **Apr. 24, 2008**

The ornamental design for a license plate holder with rearview camera, as shown and described.

(51) **LOC (8) Cl.** **12-16**

(52) **U.S. Cl.** **D12/193**

(58) **Field of Classification Search** D12/193;
D6/300–303, 310–314; D10/116, 104, 109–110;
40/200–203, 207–216; 428/346; 116/28 R,
116/35 R

See application file for complete search history.

DESCRIPTION

FIG. 1 is a perspective view of a license plate holder with rearview camera showing my new design;

FIG. 2 is a front plan view thereof;

FIG. 3 is a rear plan view thereof;

FIG. 4 is a side plan view thereof;

FIG. 5 is a top plan view thereof; and,

FIG. 6 is a bottom plan view thereof.

(56) **References Cited**

U.S. PATENT DOCUMENTS

D274,807 S * 7/1984 Stansbury, Jr. et al. D12/193
D411,499 S * 6/1999 Porter D12/193

1 Claim, 3 Drawing Sheets

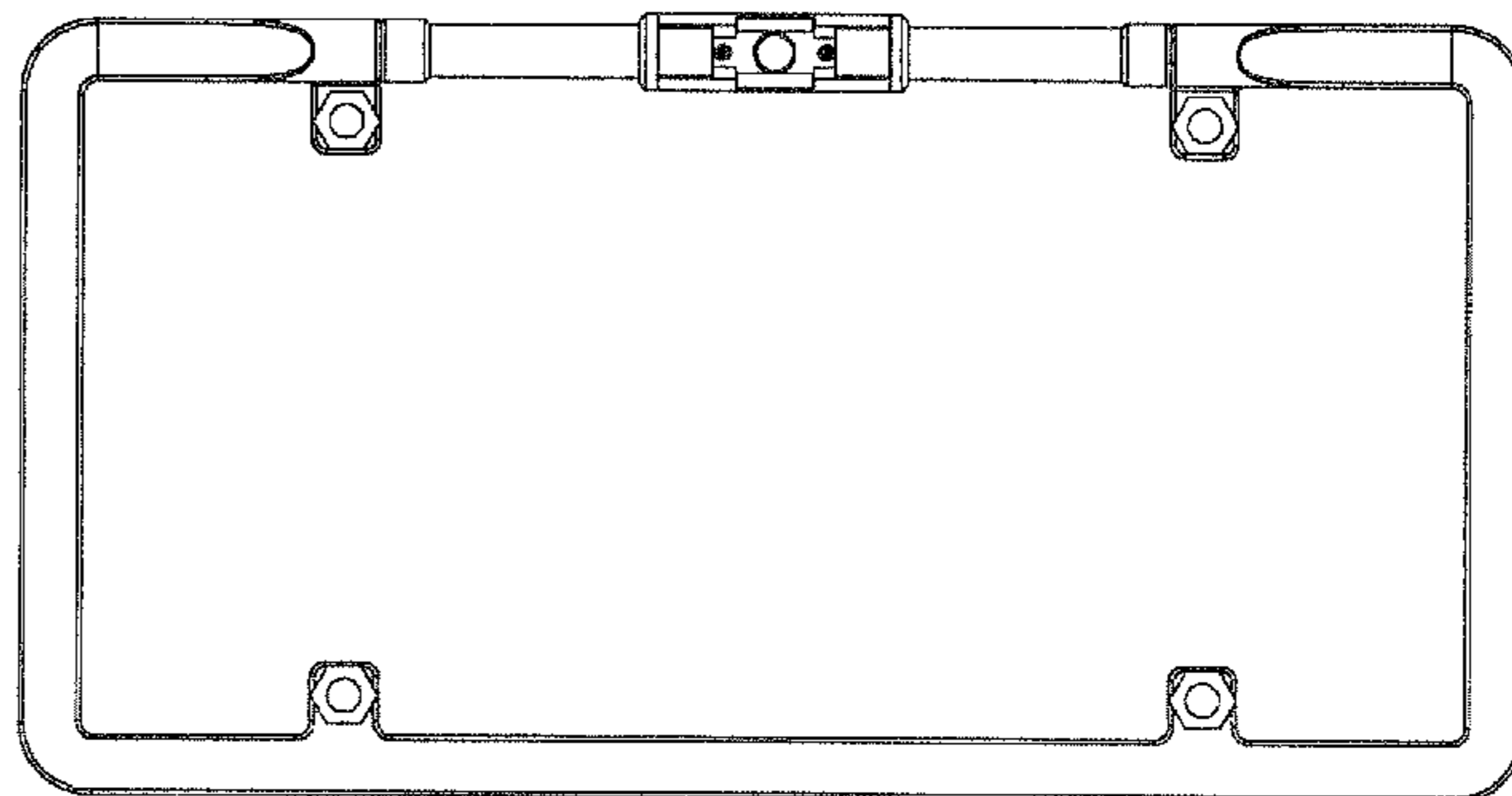
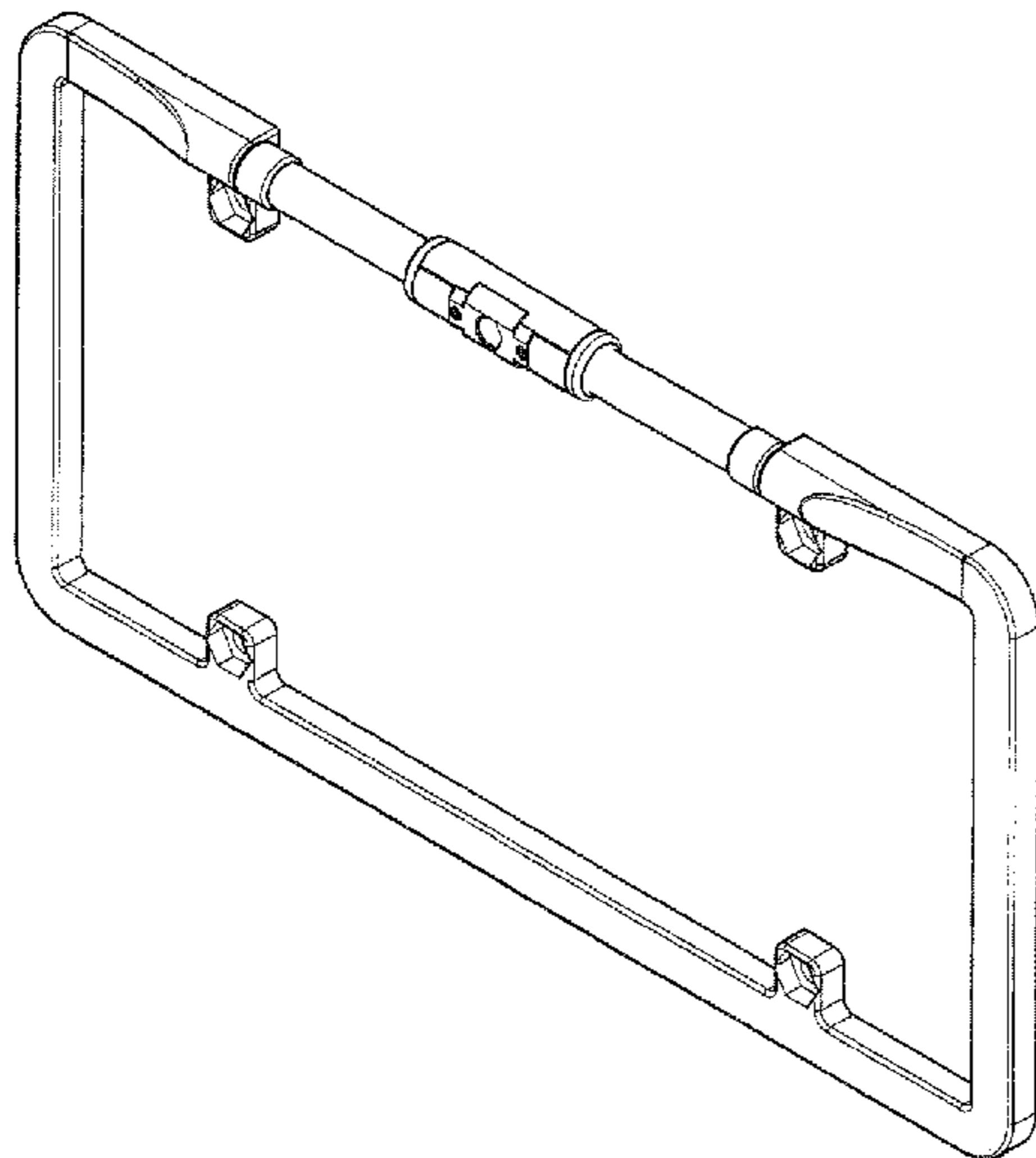


FIG. 1

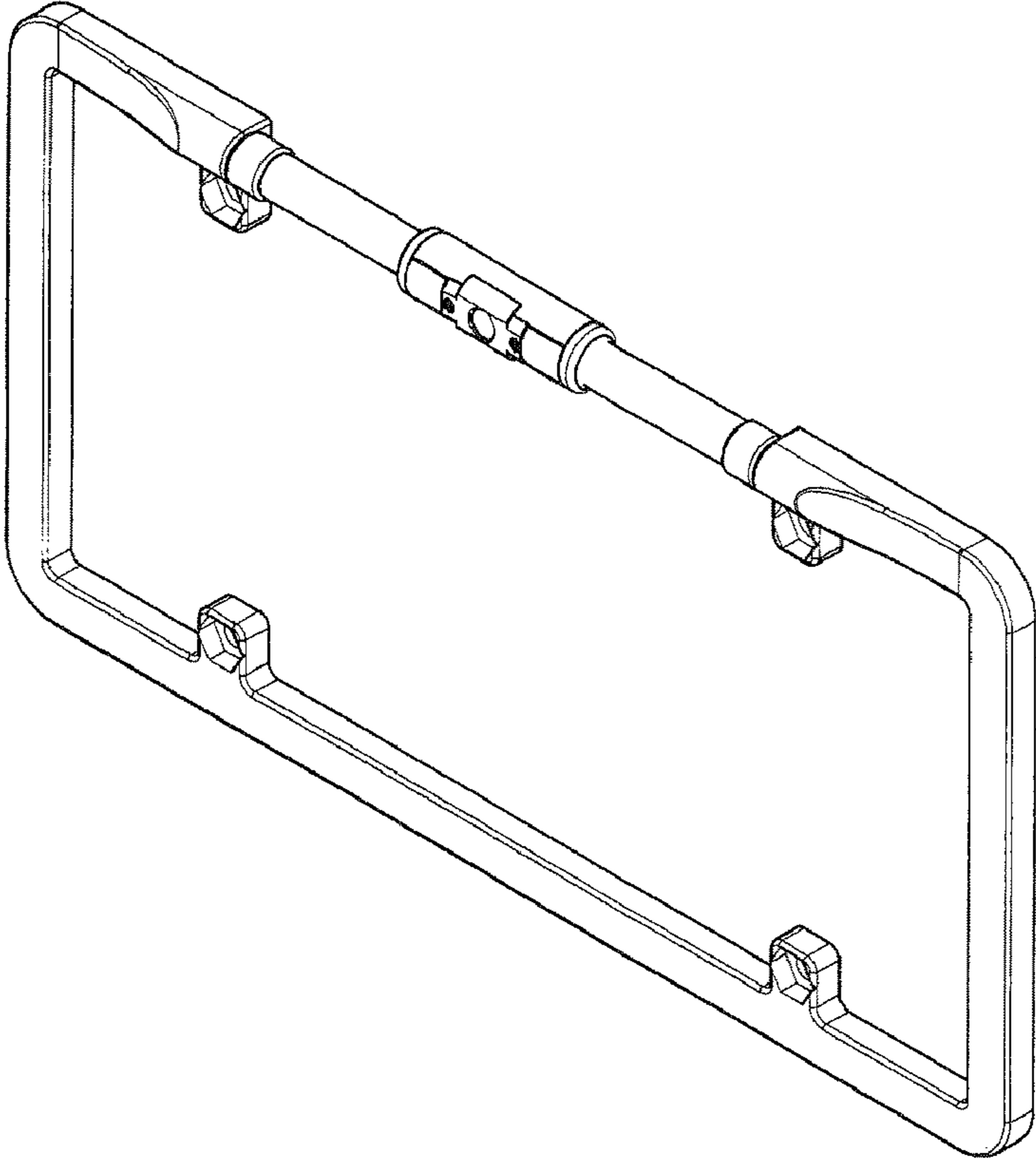


FIG. 2

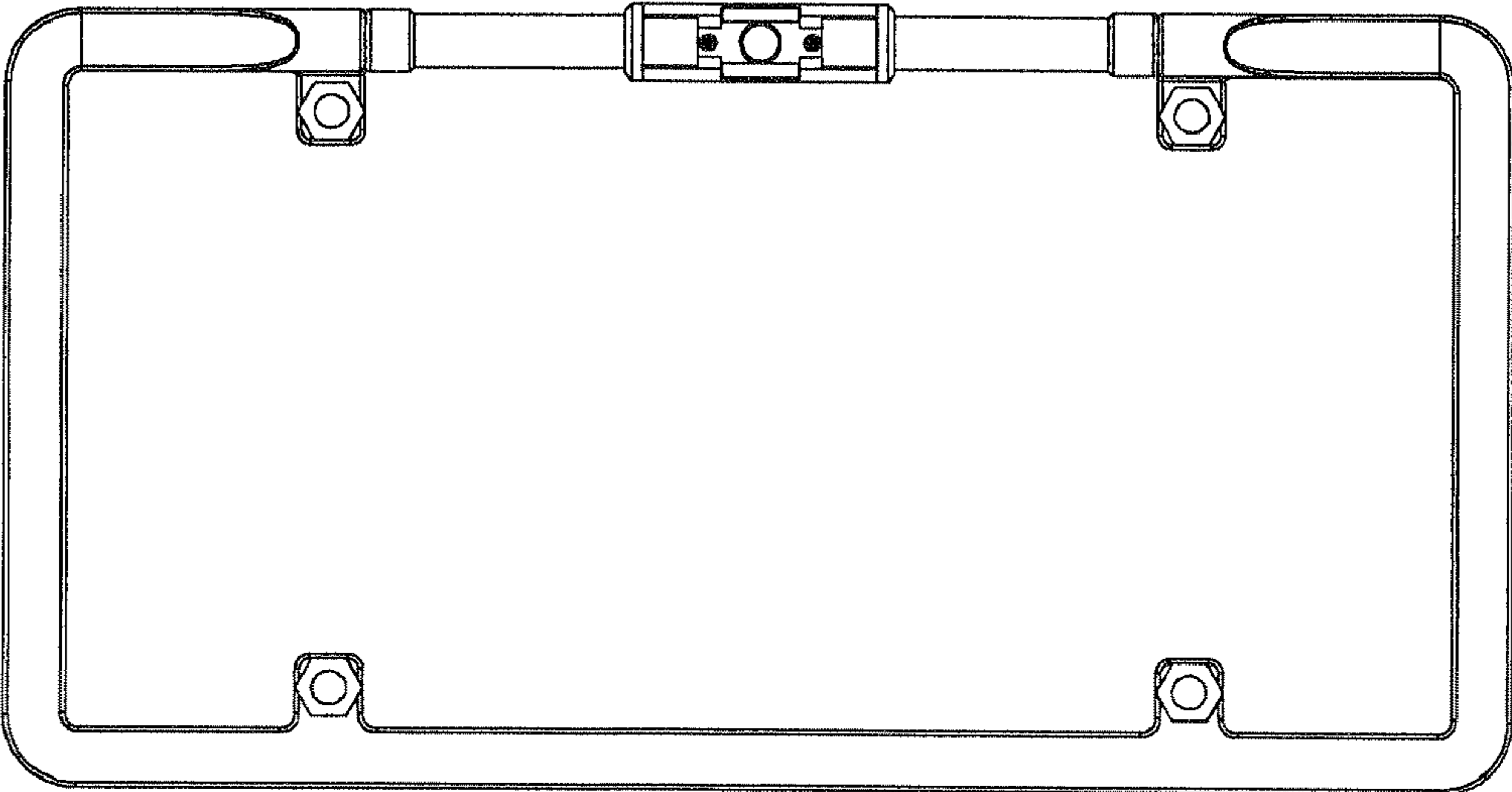


FIG. 3

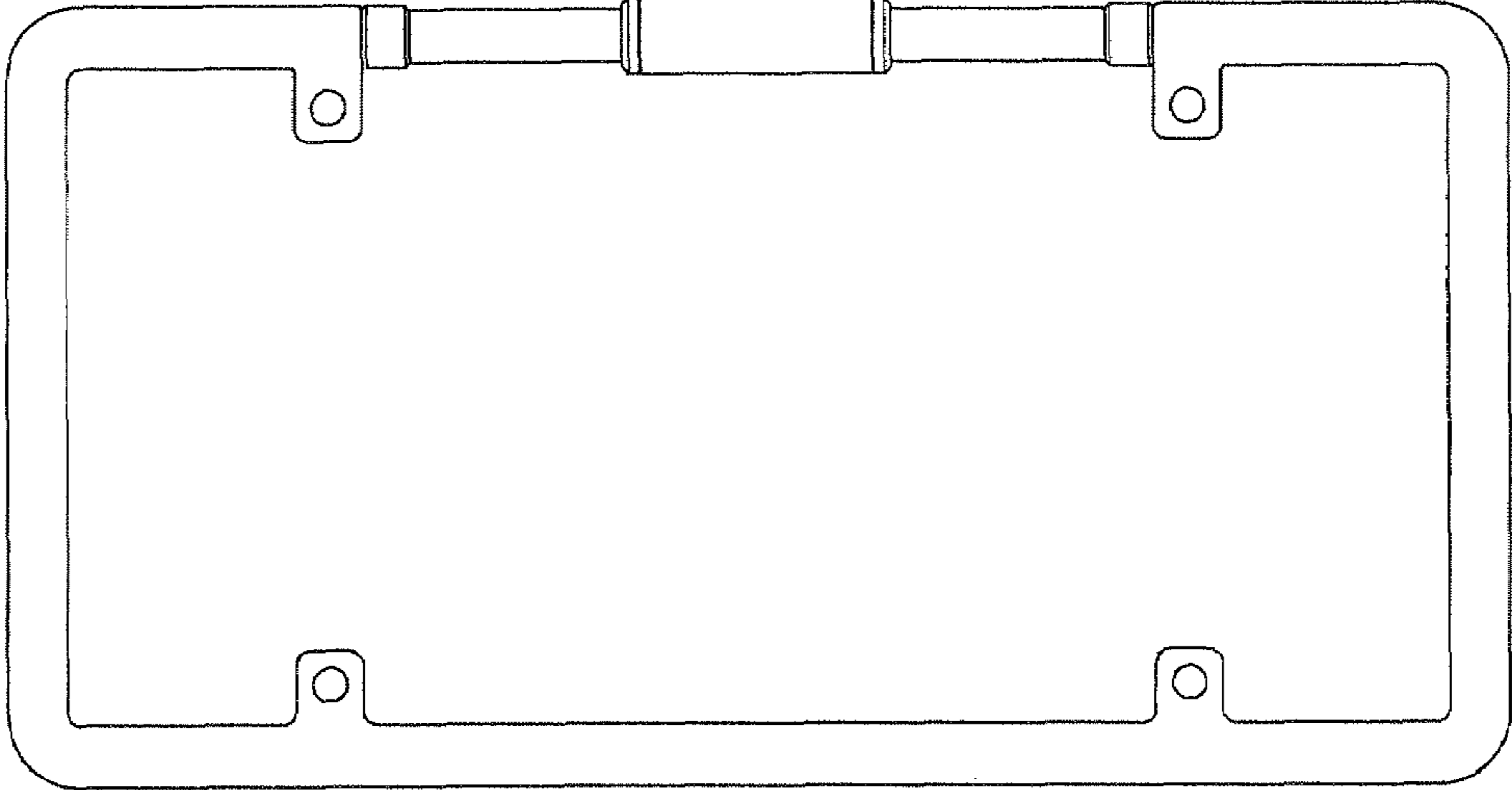


FIG. 4

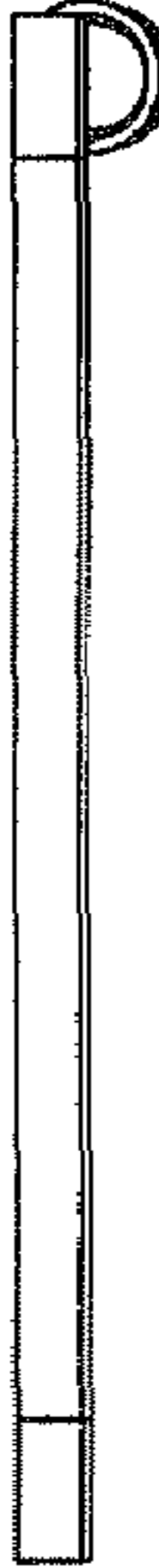


FIG. 5



FIG. 6

