



US00D578048S

(12) **United States Design Patent**
Wyszogrod

(10) **Patent No.:** **US D578,048 S**

(45) **Date of Patent:** **** Oct. 7, 2008**

(54) **VEHICLE CONTROL PANEL**

(75) **Inventor:** **Jose Wyszogrod**, Los Angeles, CA (US)

(73) **Assignee:** **Honda Motor Co., Ltd.**, Tokyo (JP)

(**) **Term:** **14 Years**

(21) **Appl. No.:** **29/299,341**

(22) **Filed:** **Dec. 21, 2007**

(51) **LOC (8) Cl.** **12-16**

(52) **U.S. Cl.** **D12/192**

(58) **Field of Classification Search** D12/192,
D12/415; 180/190; 280/750-752; 296/190.01-190.09,
296/70; D15/17, 28; D10/46, 98, 102-103
See application file for complete search history.

(56) **References Cited**

U.S. PATENT DOCUMENTS

D435,818 S *	1/2001	Shimizu et al.	D12/192
D449,026 S *	10/2001	Tsay et al.	D12/192
D482,305 S *	11/2003	Okumura et al.	D12/192
D494,906 S *	8/2004	Pfeiffer	D12/192
D500,971 S *	1/2005	Pfeiffer	D12/192
D503,367 S *	3/2005	Pfeiffer	D12/192
D512,356 S *	12/2005	Pfeiffer	D12/192

D528,485 S *	9/2006	Montijo et al.	D12/192
D529,848 S *	10/2006	Shigehara et al.	D12/192
D535,926 S *	1/2007	Anderson et al.	D12/192
D558,109 S *	12/2007	Misugi et al.	D12/192
D561,077 S *	2/2008	Kato	D12/192

* cited by examiner

Primary Examiner—Stacia Cadmus

(74) *Attorney, Agent, or Firm*—Plumsea Law Group, LLC;
Mark E. Duell

(57) **CLAIM**

The ornamental design for a vehicle control panel, as shown and described.

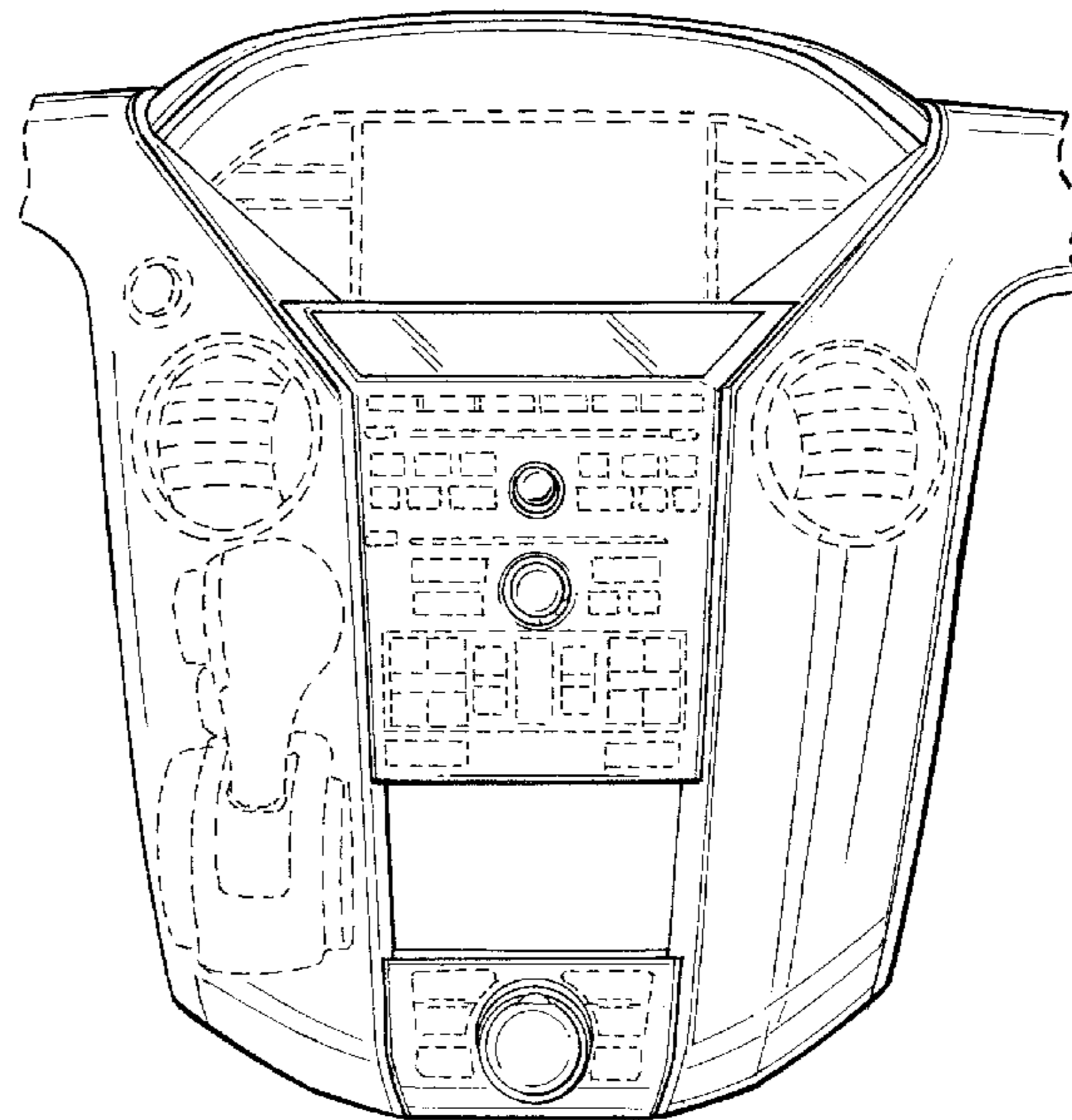
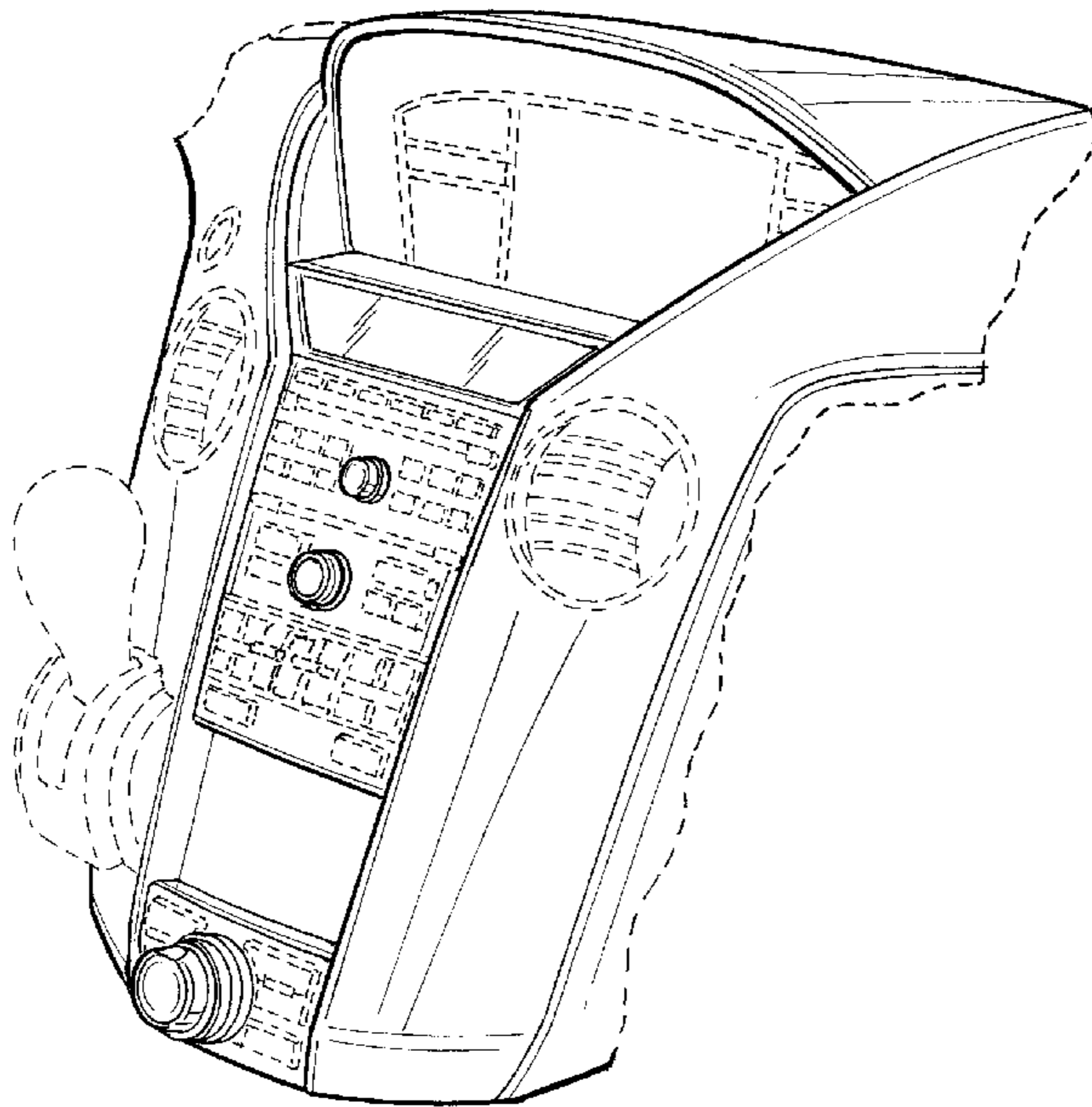
DESCRIPTION

FIG. 1 is a perspective view of a vehicle control panel showing my new design; and,

FIG. 2 is an elevational view thereof.

The broken line showings of the lines in the upper display area, the circular element above the left-hand vent, the vents, the gear shifter, the rectangles on the middle and lower panels, and the boundary of the claim itself are for illustrative purposes and form no part of the claimed design.

1 Claim, 2 Drawing Sheets



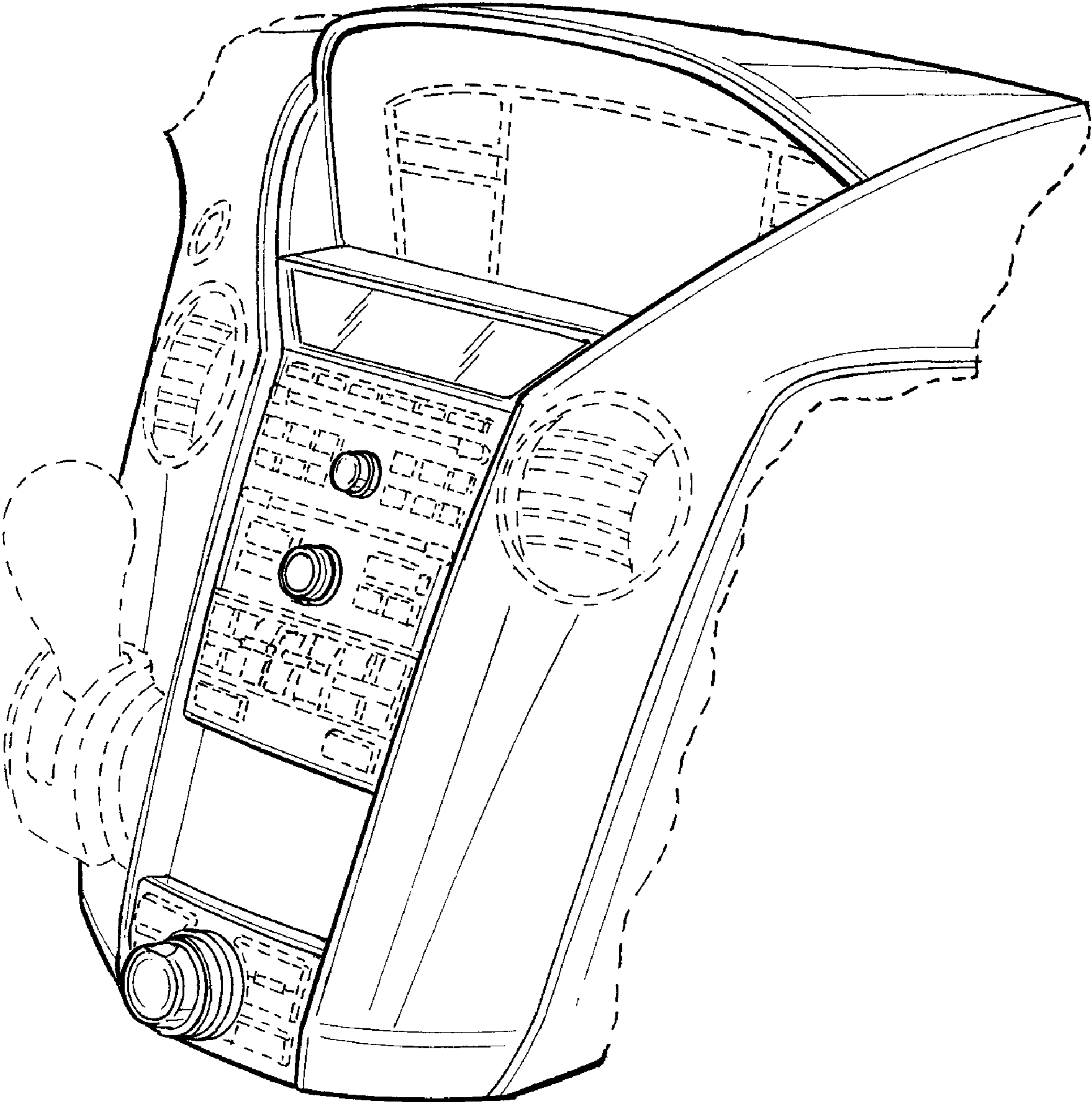


FIG . 1

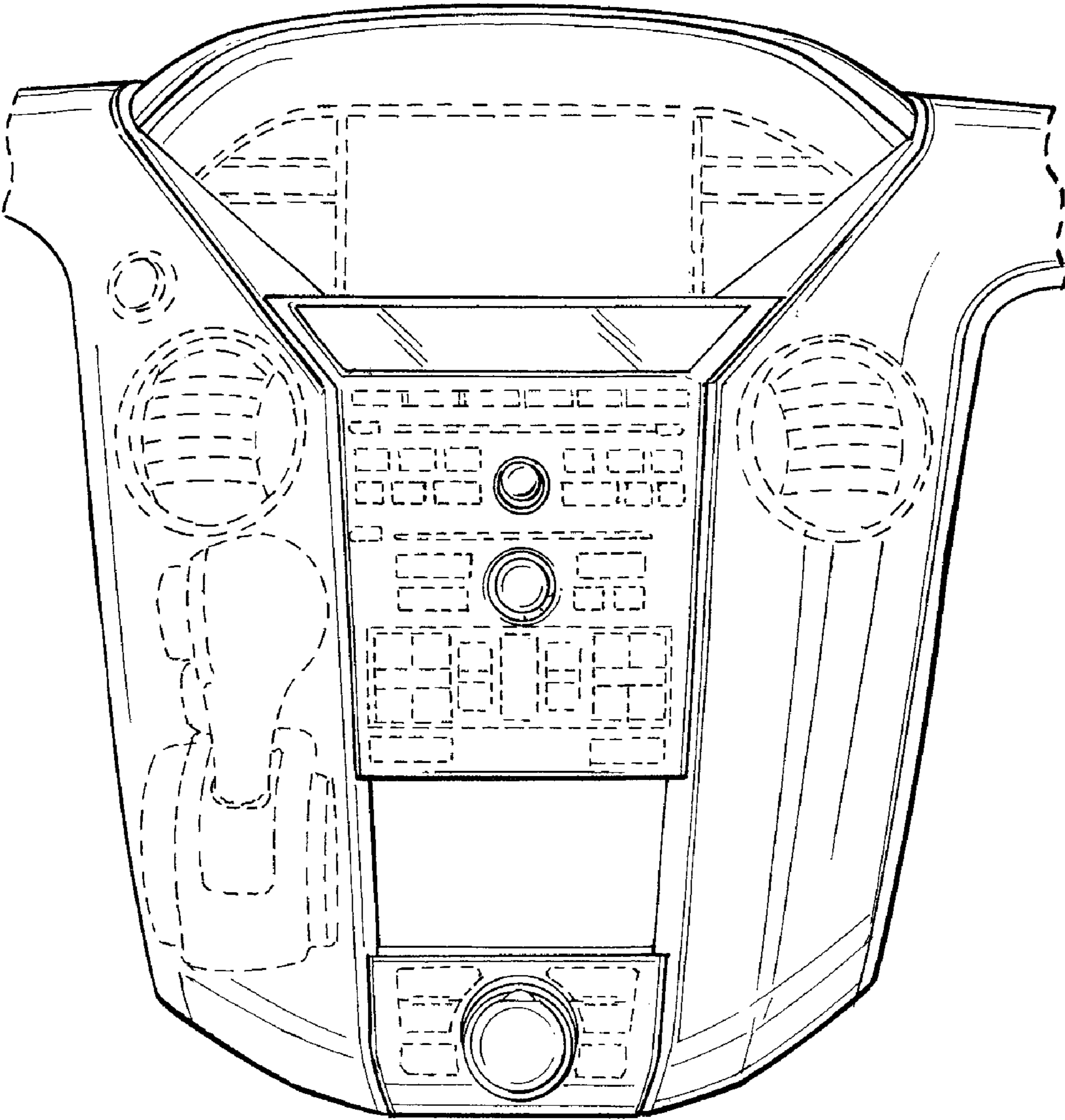


FIG. 2