



US00D578045S

(12) **United States Design Patent**
Liao

(10) **Patent No.:** **US D578,045 S**
(45) **Date of Patent:** **** Oct. 7, 2008**

(54) **BABY STROLLER**

(75) Inventor: **Gordon Liao, Yung Kang (TW)**

(73) Assignee: **Unique Product & Design Co., Ltd.,
Tainan Hsien (TW)**

(**) Term: **14 Years**

(21) Appl. No.: **29/280,339**

(22) Filed: **May 24, 2007**

(51) **LOC (8) Cl.** **12-12**

(52) **U.S. Cl.** **D12/129**

(58) **Field of Classification Search** D12/128-133;
280/62, 647-650, 29, 200, 47.38, 250.1,
280/259, 642, 658; 297/DIG. 4; 296/65.03,
296/65.04; 224/409; 135/65-67, 74; 180/208;
267/5

See application file for complete search history.

(56) **References Cited**

U.S. PATENT DOCUMENTS

- D369,992 S * 5/1996 Baechler D12/129
- D442,895 S * 5/2001 Chiu D12/129
- D444,738 S * 7/2001 Lan D12/129
- D453,717 S * 2/2002 Hawker et al. D12/129
- 6,739,616 B2 * 5/2004 Lin 280/642
- D506,417 S * 6/2005 Liao D12/129

- D510,716 S * 10/2005 Refsum et al. D12/129
- D519,422 S * 4/2006 Huang D12/129
- 7,032,922 B1 * 4/2006 Lan 280/648
- D528,048 S * 9/2006 Lin et al. D12/129
- D529,844 S * 10/2006 Chen et al. D12/129
- D558,099 S * 12/2007 Yang D12/129

* cited by examiner

Primary Examiner—Charles A. Rademaker

Assistant Examiner—Charles D Hanson

(74) *Attorney, Agent, or Firm*—Alan Kamrath; Kamrath & Associates PA

(57) **CLAIM**

The ornamental design for a baby stroller, as shown and described.

DESCRIPTION

FIG. 1 is a perspective view of a baby stroller showing my design;

FIG. 2 is a front elevational view thereof;

FIG. 3 is a rear elevational view thereof;

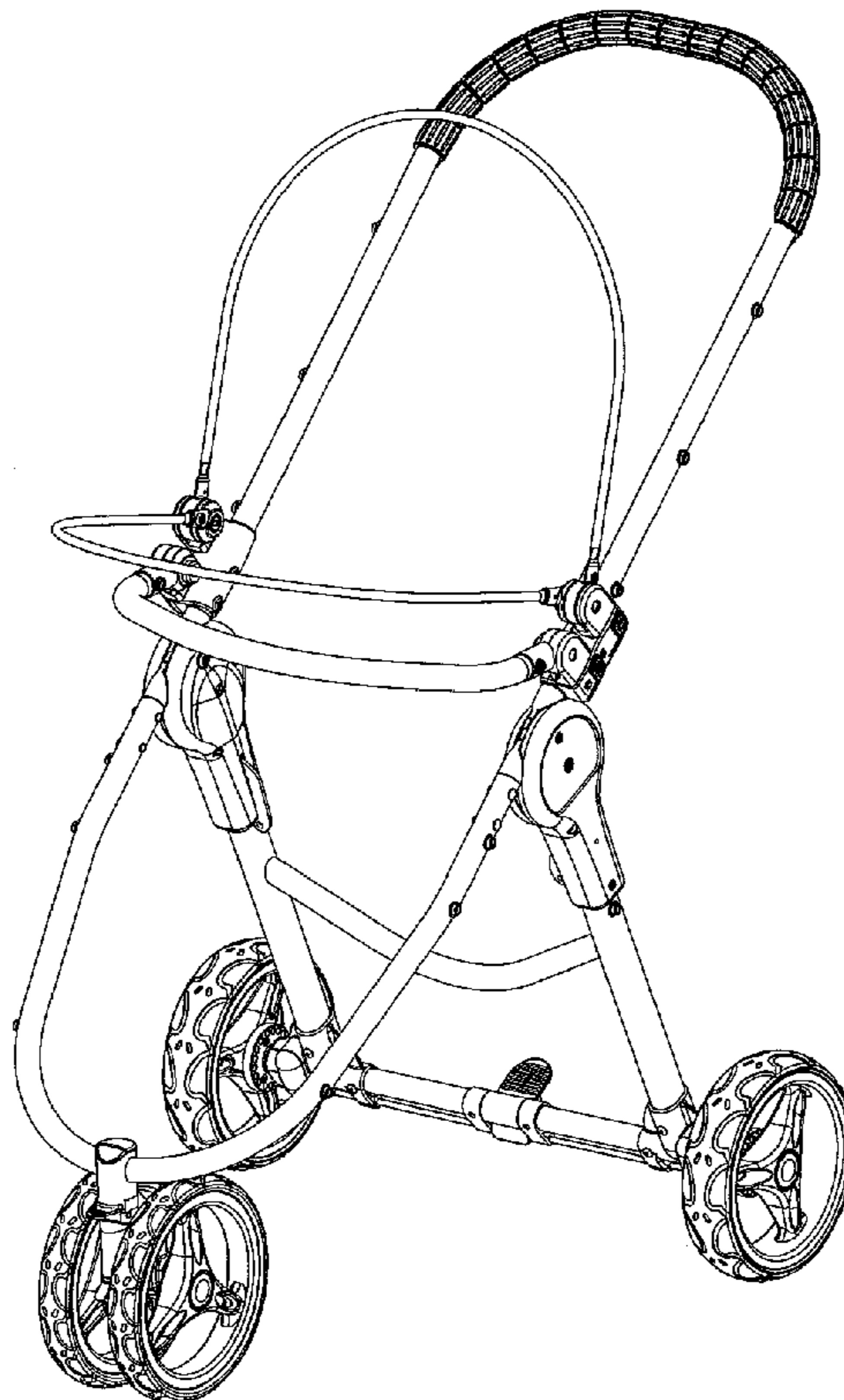
FIG. 4 is a left side elevational view thereof;

FIG. 5 is a right side elevational view thereof;

FIG. 6 is a top plan view thereof; and,

FIG. 7 is a bottom plan view thereof.

1 Claim, 7 Drawing Sheets



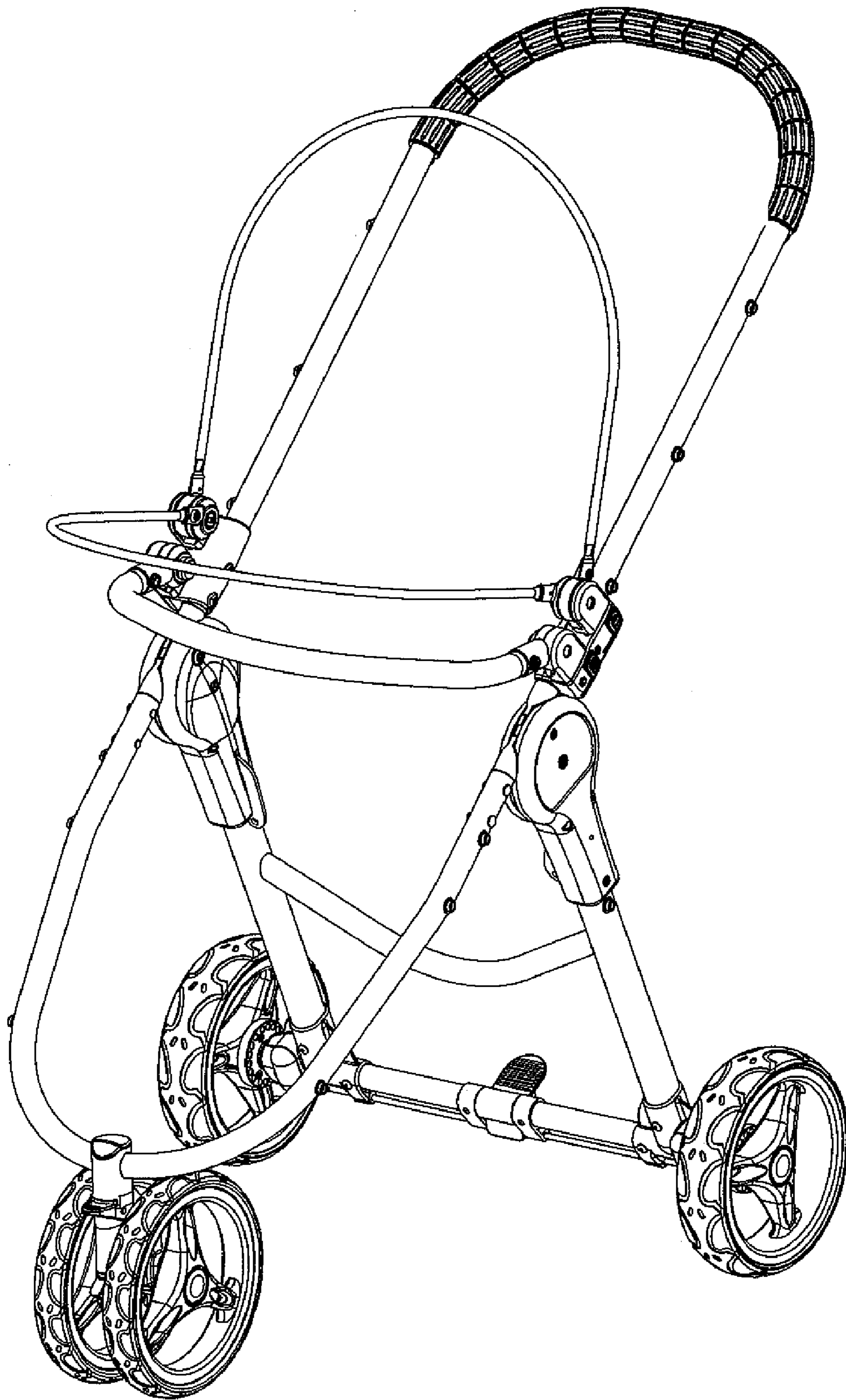


FIG. 1

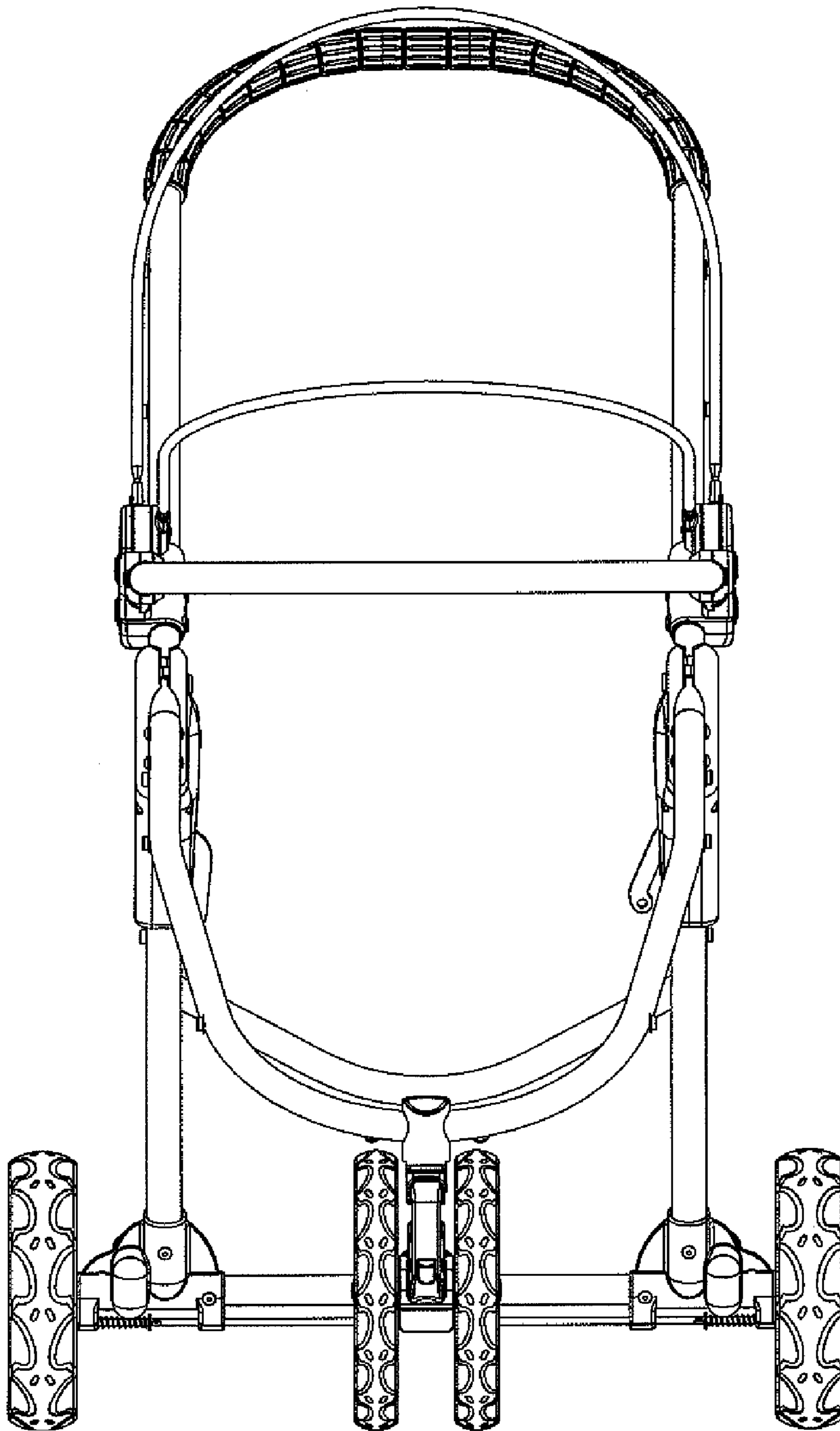


FIG. 2

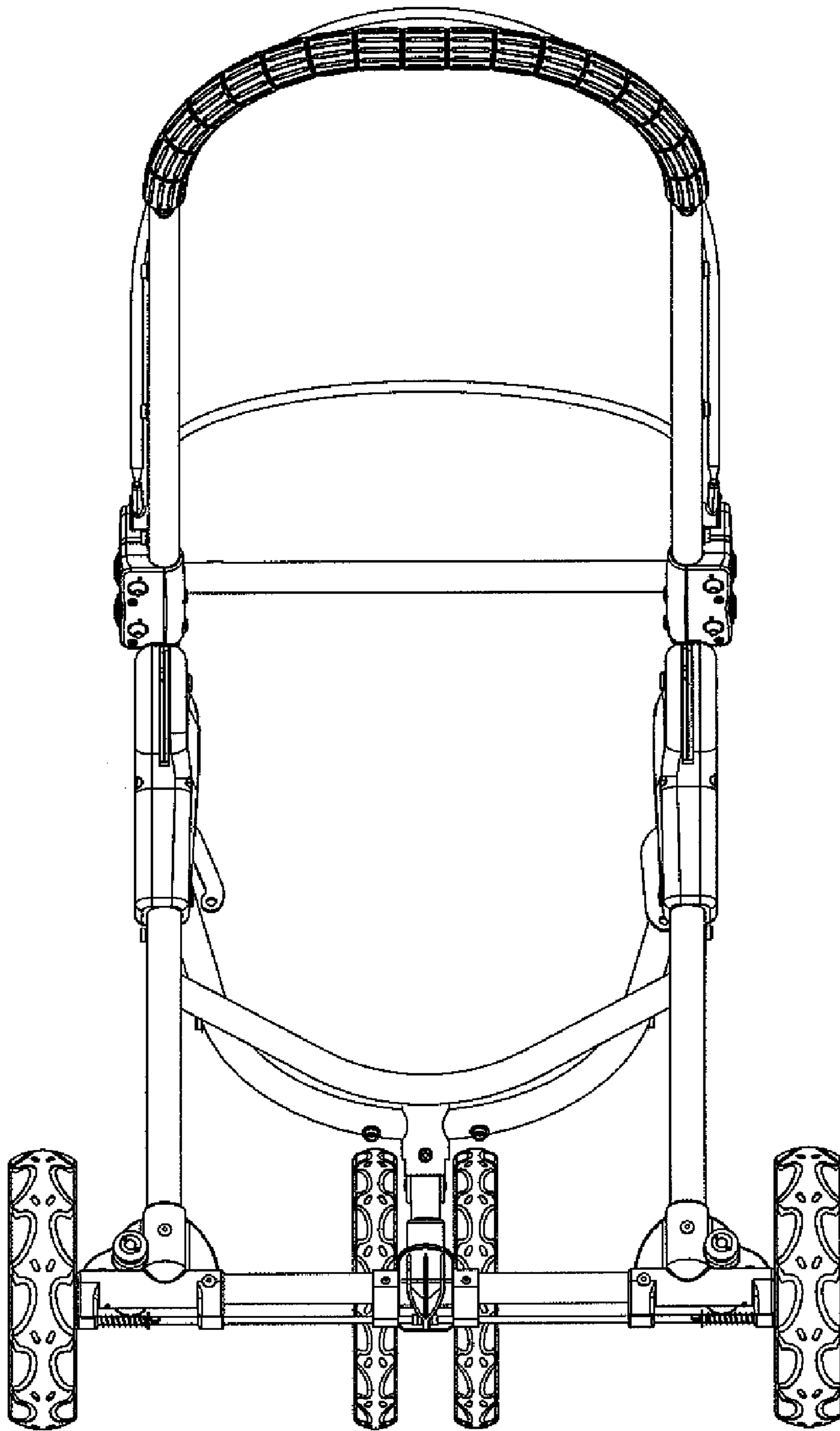


FIG. 3

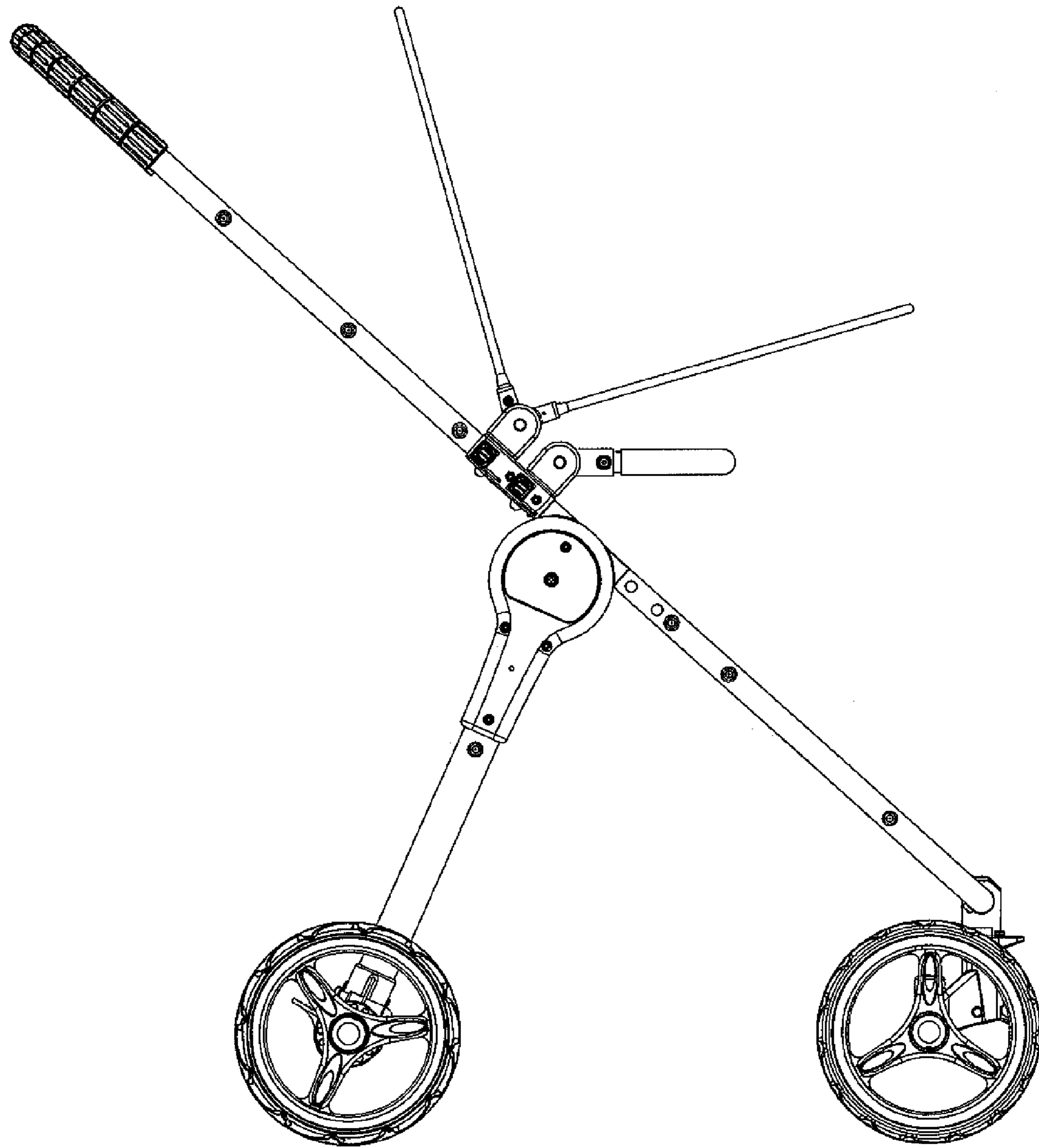


FIG. 4

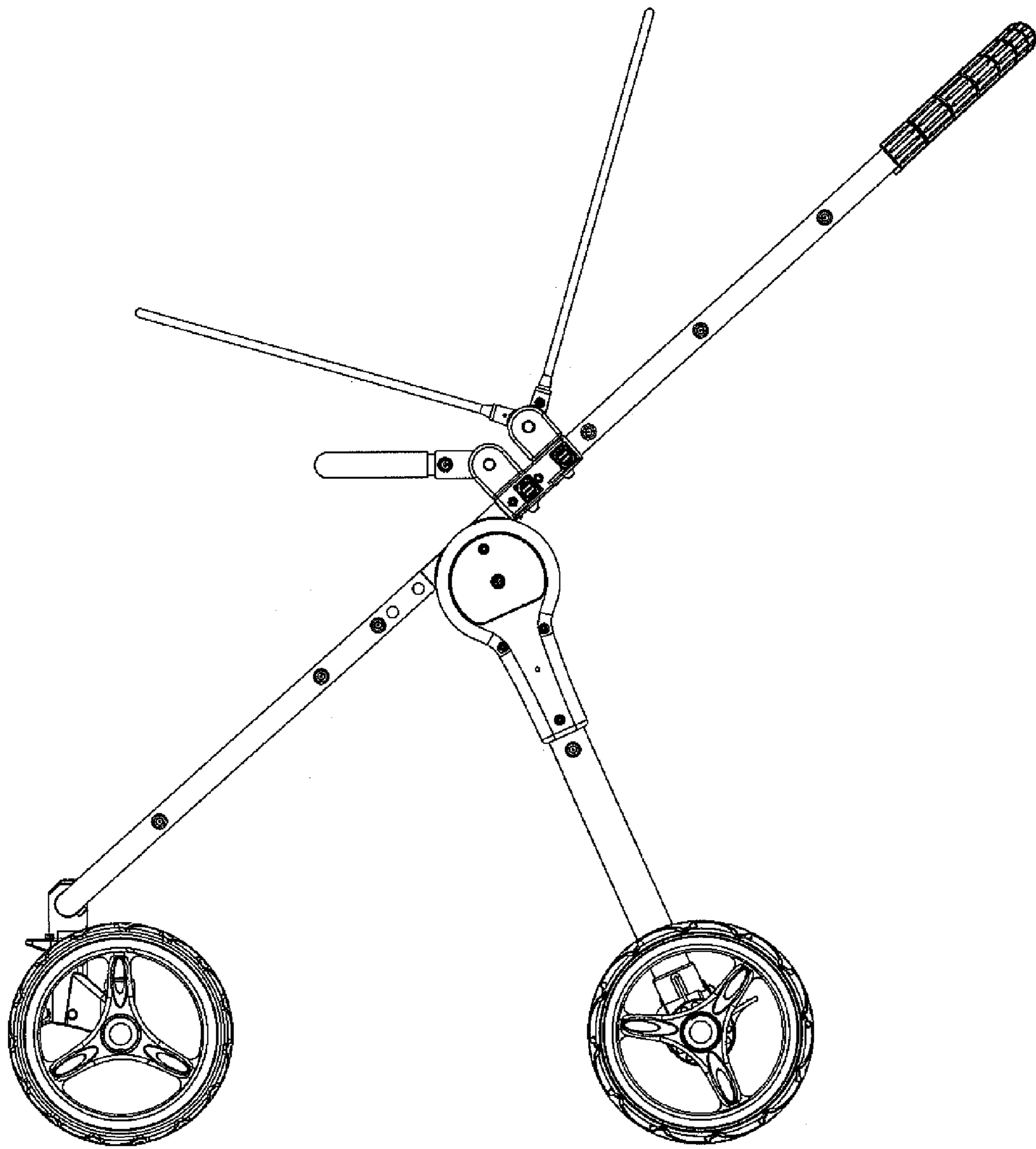


FIG. 5

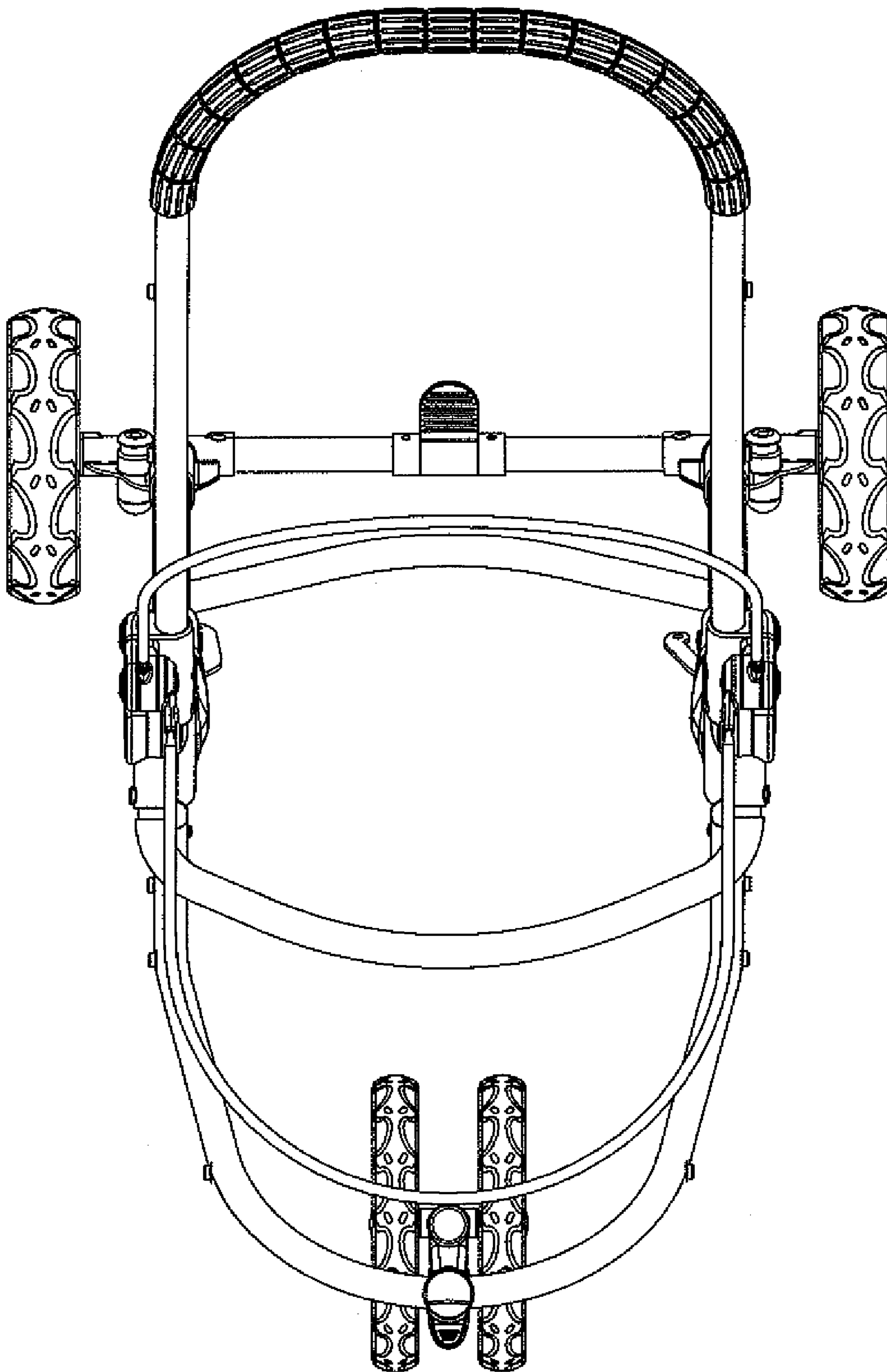


FIG. 6

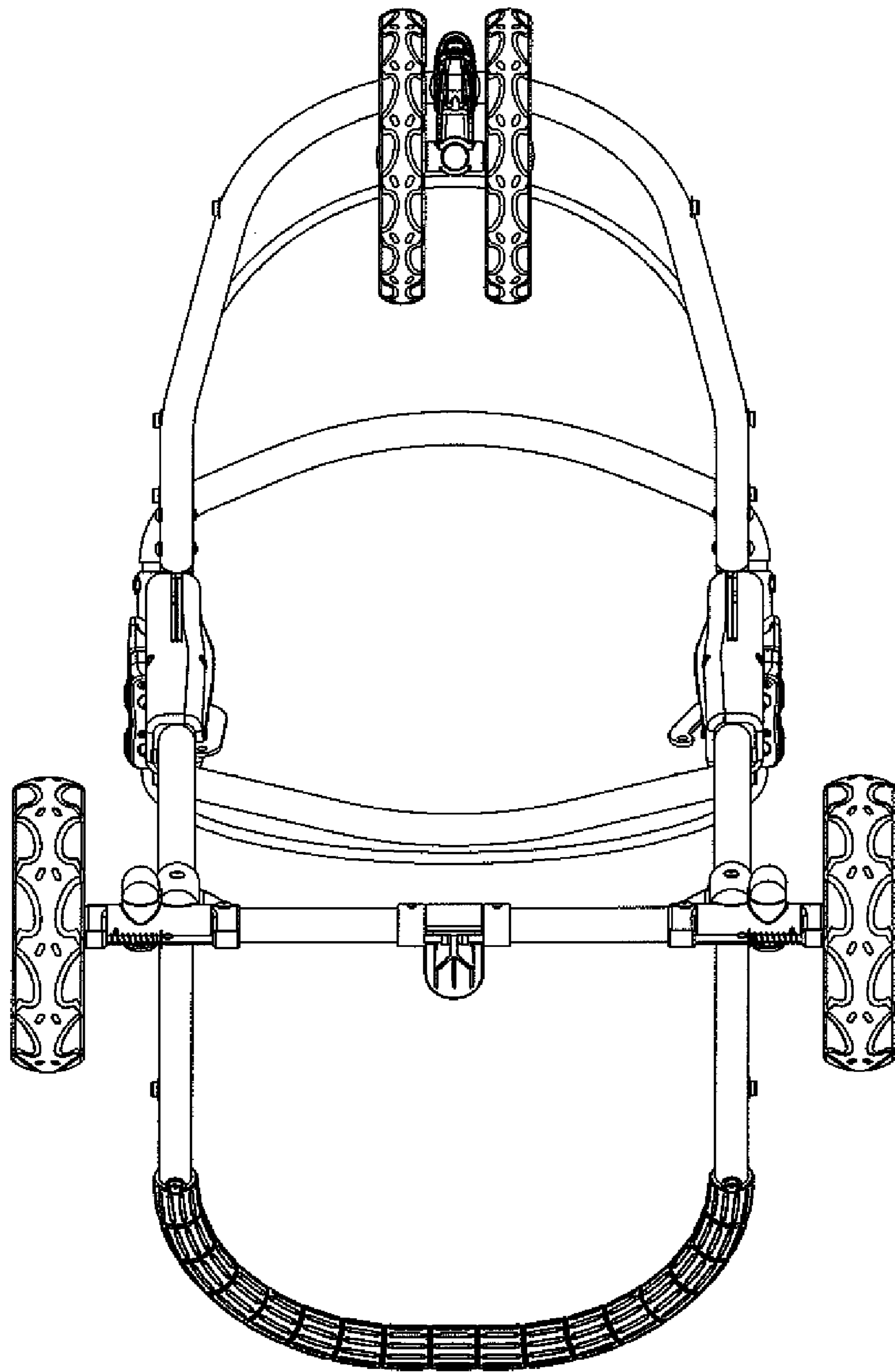


FIG. 7