



US00D578044S

(12) **United States Design Patent**
Chen et al.

(10) **Patent No.:** **US D578,044 S**
(45) **Date of Patent:** **** Oct. 7, 2008**

(54) **FRAME FOR BABY CARRIAGE**

2003/0111825 A1* 6/2003 Lo et al. 280/642

(75) Inventors: **Shun-Min Chen**, Taipei (TW); **Jianqun Li**, Taipei (TW)

* cited by examiner

(73) Assignee: **Wonderland Nurserygoods Co., Ltd.**, Taipei (TW)

Primary Examiner—Charles A. Rademaker

Assistant Examiner—Charles D Hanson

(74) *Attorney, Agent, or Firm*—Bacon & Thomas, PLLC

(**) Term: **14 Years**

(57) **CLAIM**

(21) Appl. No.: **29/274,907**

The ornamental design for a frame for baby carriage, as shown and described.

(22) Filed: **Jun. 6, 2007**

DESCRIPTION

(51) **LOC (8) Cl.** **12-12**

(52) **U.S. Cl.** **D12/129**

(58) **Field of Classification Search** D12/128–133;
280/62, 647–650, 29, 200, 47.38, 250.1,
280/259, 642, 658; 297/DIG. 4; 296/65.03,
296/65.04; 224/409; 135/65–67, 74; 180/208;
267/5

See application file for complete search history.

FIG. 1 is a perspective view of a frame for baby carriage showing our new design;

FIG. 2 is a front view thereof;

FIG. 3 is a rear view thereof;

FIG. 4 is a top view thereof;

FIG. 5 is a bottom view thereof;

FIG. 6 is a right side view thereof;

FIG. 7 is a left side view thereof; and,

FIG. 8 is a right side view thereof, in a folded position.

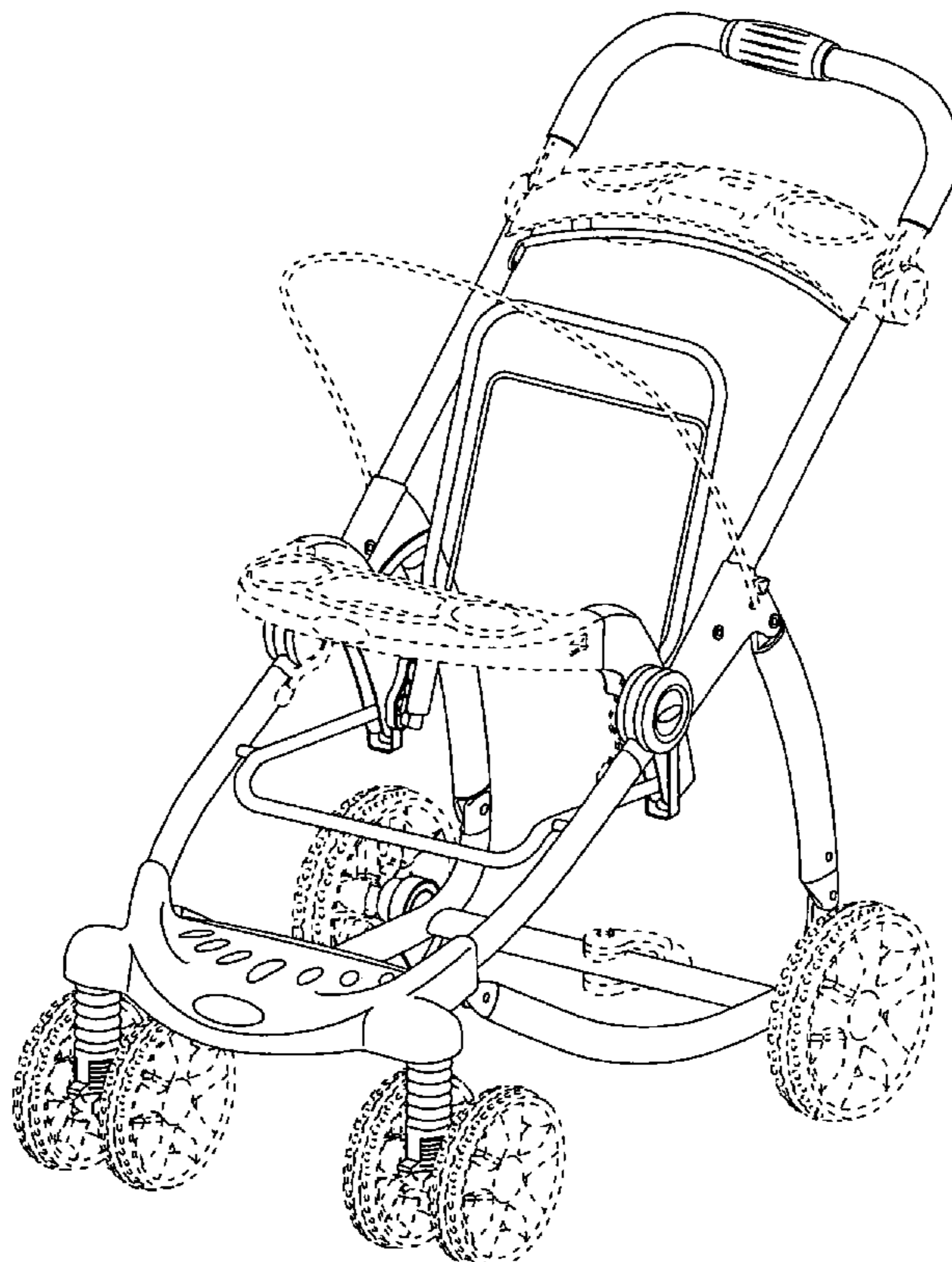
The broken lines in the figure drawings showing the wheels, trays, and frame members are included for the purpose of illustrating environment and form no part of the claimed design.

(56) **References Cited**

U.S. PATENT DOCUMENTS

D356,528 S *	3/1995	Liu	D12/129
D444,738 S *	7/2001	Lan	D12/129
D470,802 S *	2/2003	You	D12/129
6,896,286 B2 *	5/2005	Lin	280/650
7,229,083 B2 *	6/2007	Arai et al.	280/47.38
7,267,359 B1 *	9/2007	Yang et al.	280/642
D566,013 S *	4/2008	Wang	D12/129

1 Claim, 8 Drawing Sheets



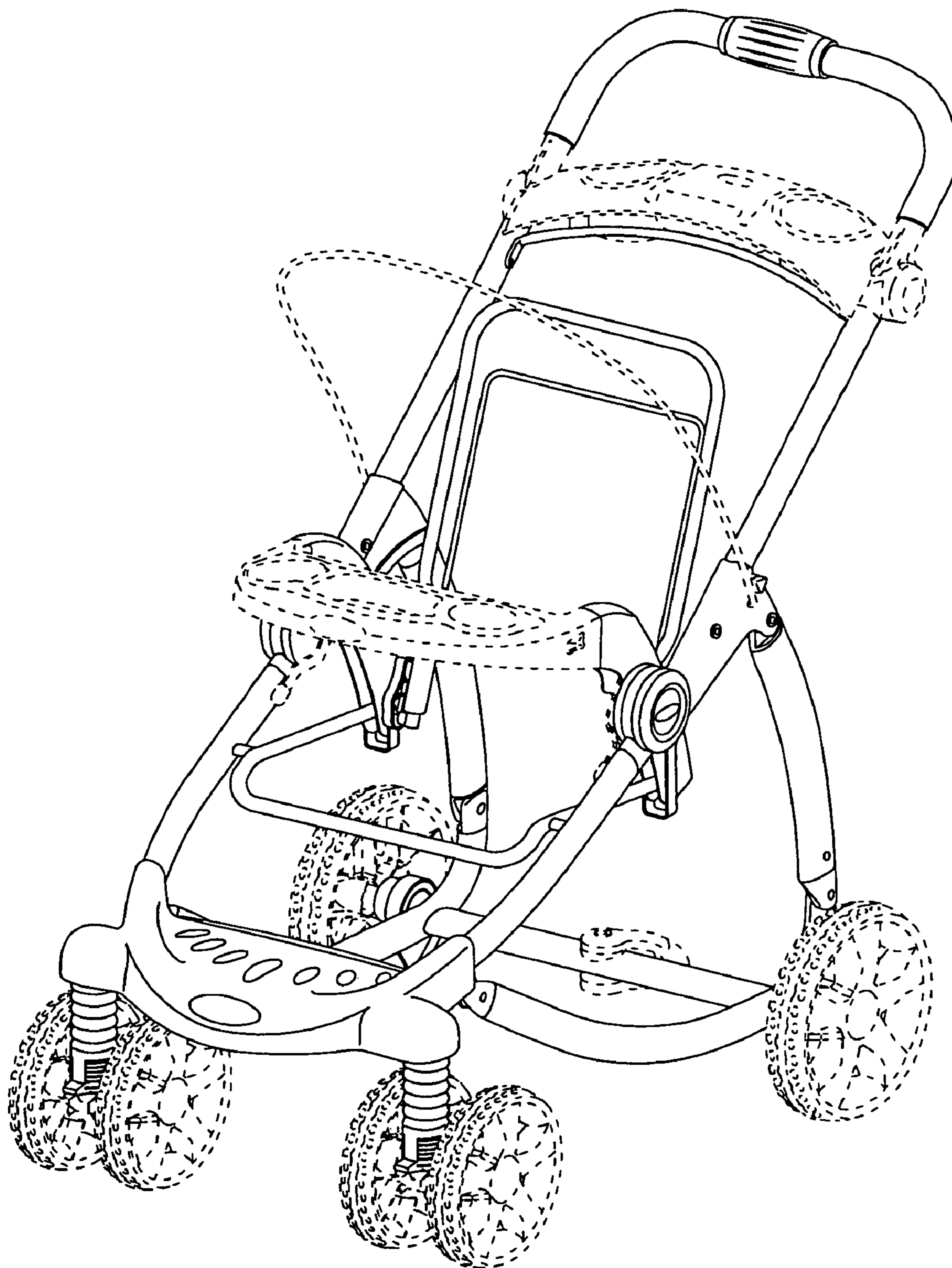


FIG. 1

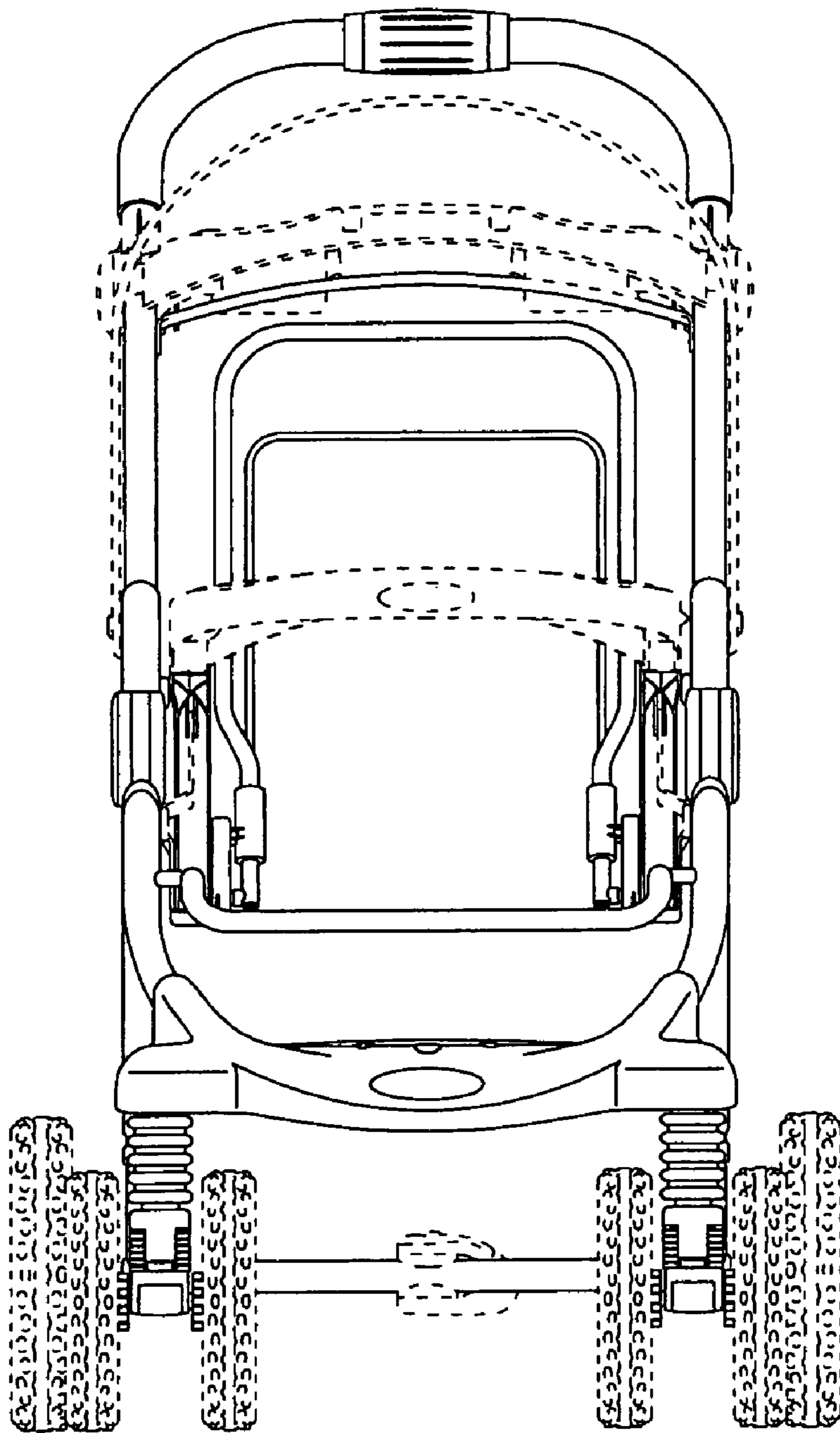


FIG. 2

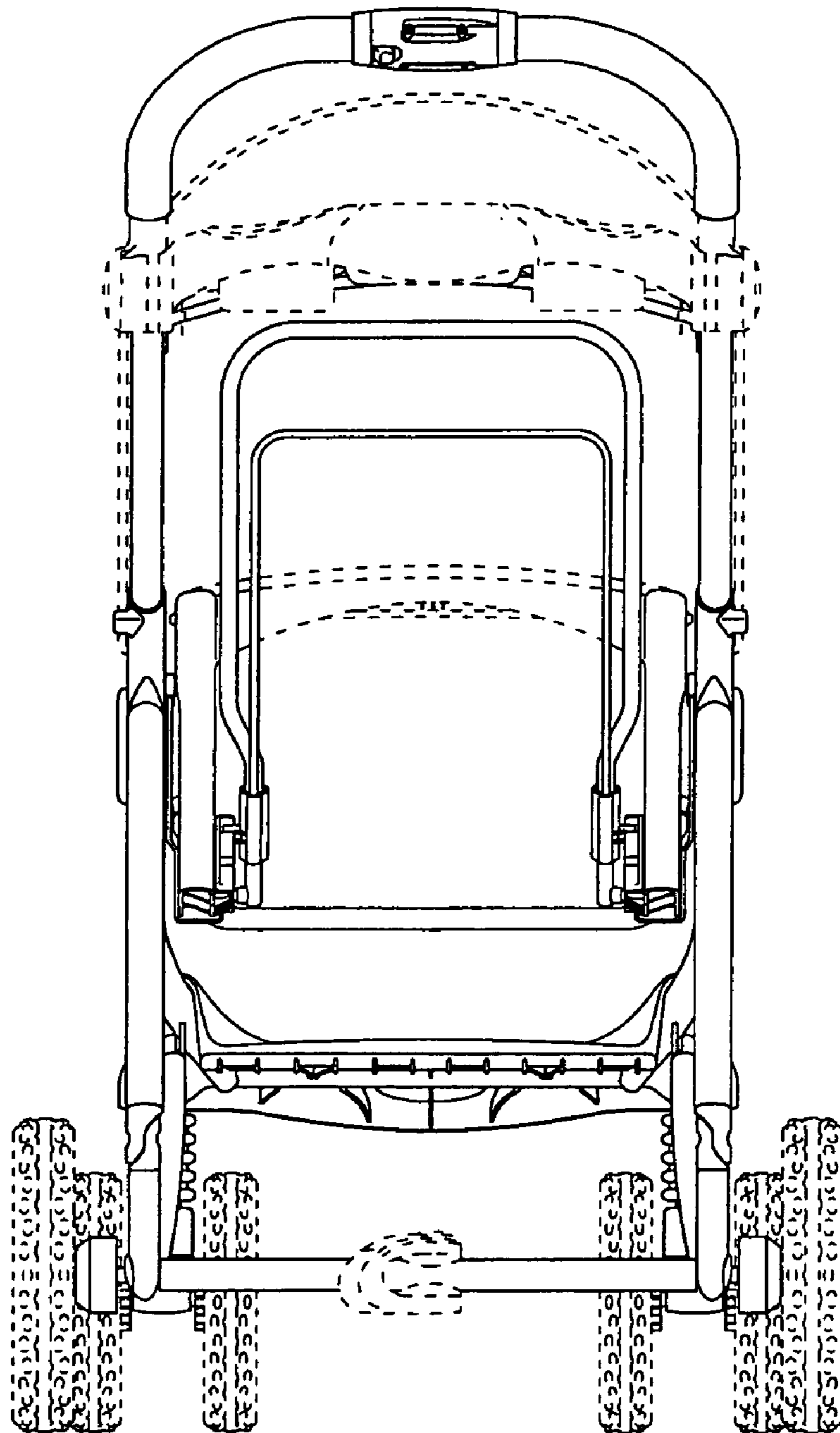


FIG. 3

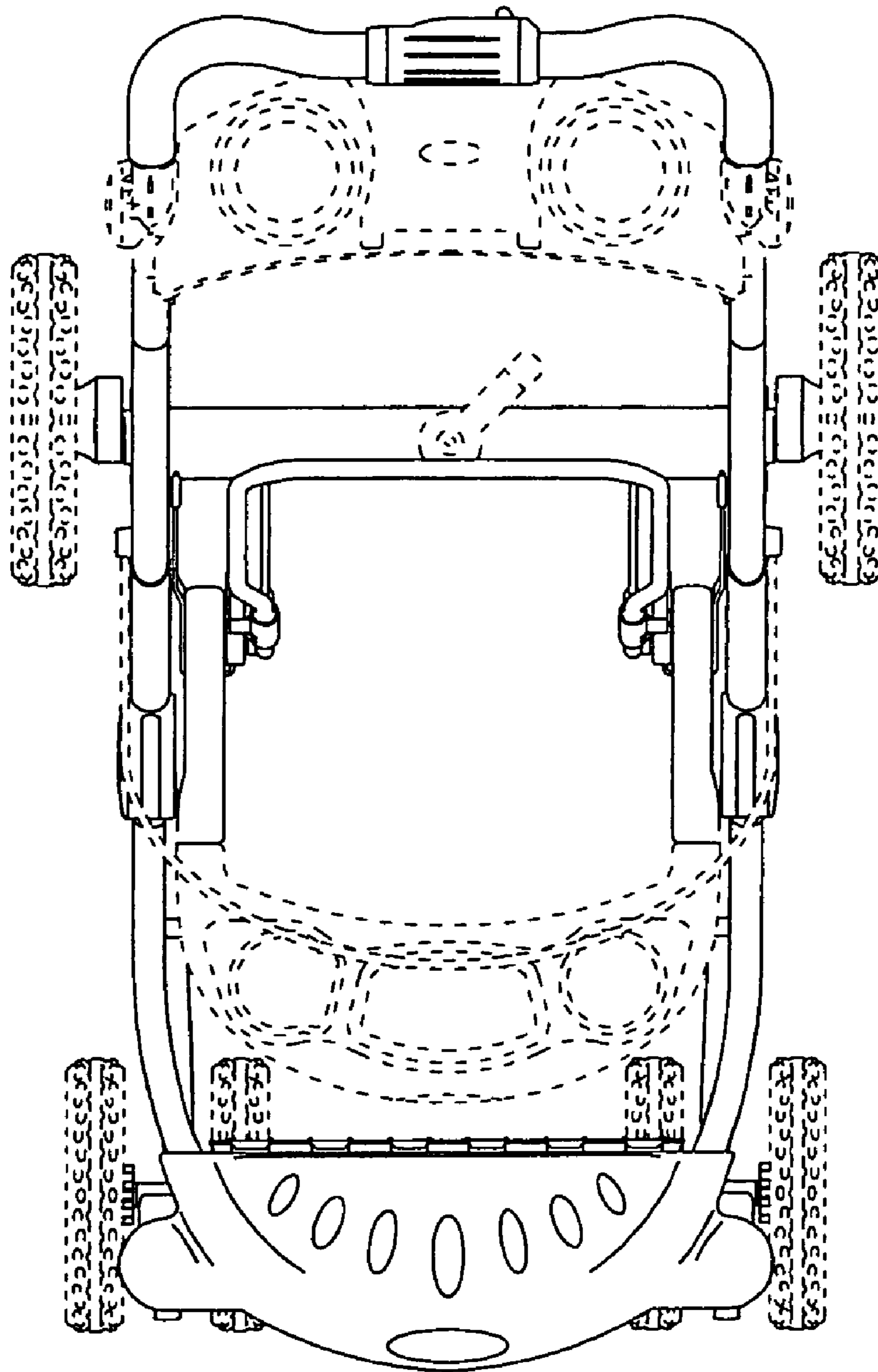


FIG. 4

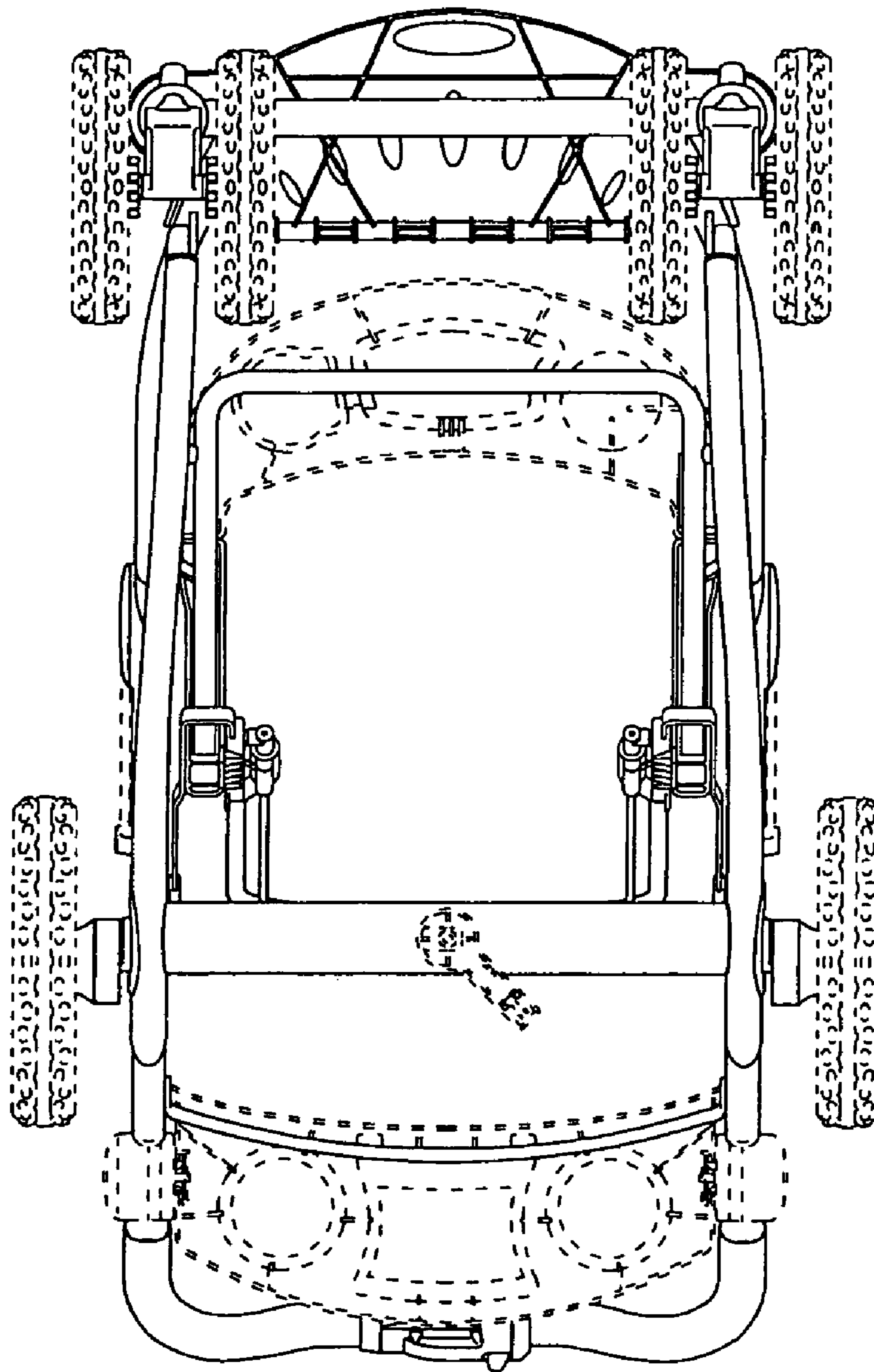


FIG. 5

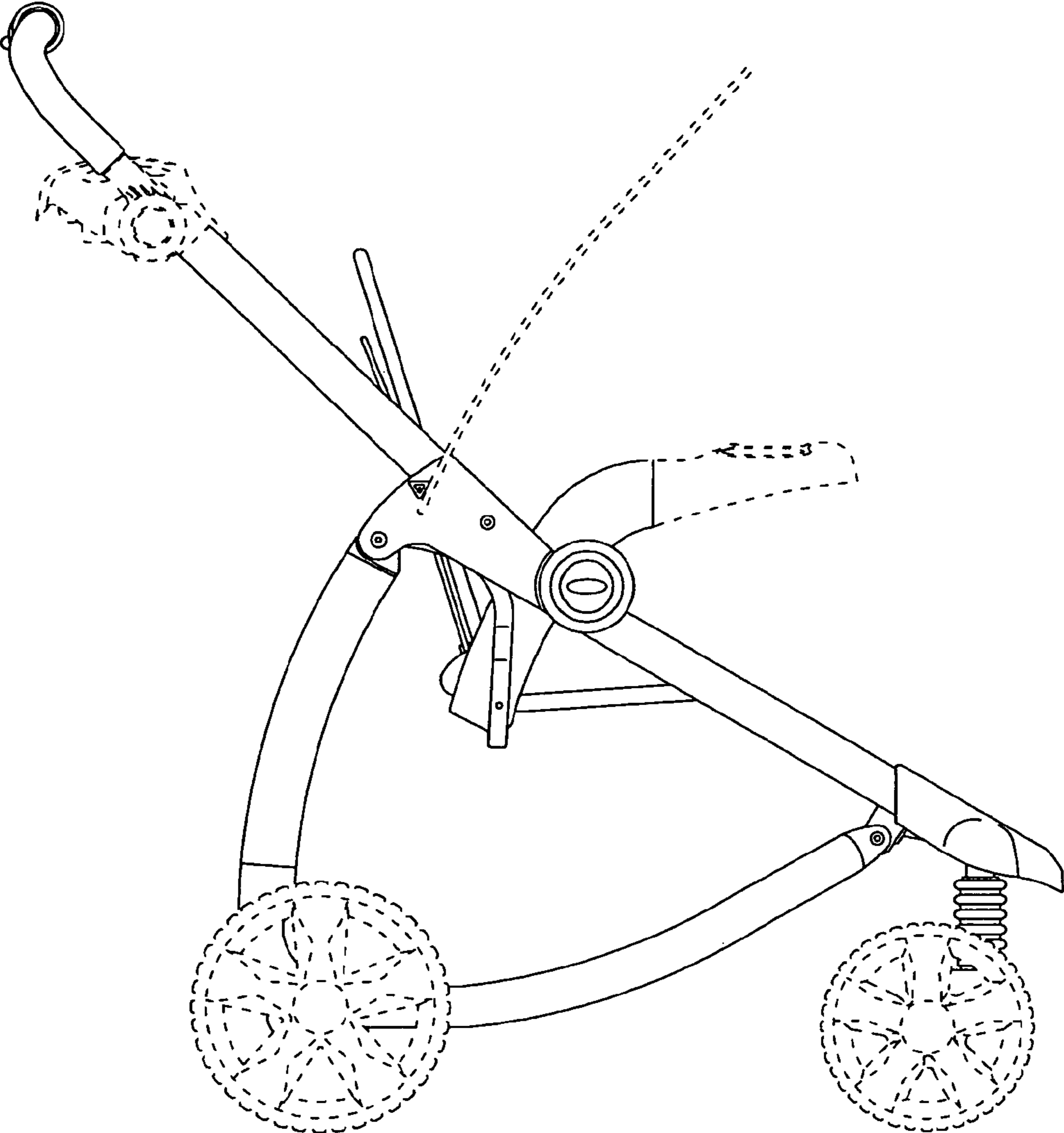


FIG. 6

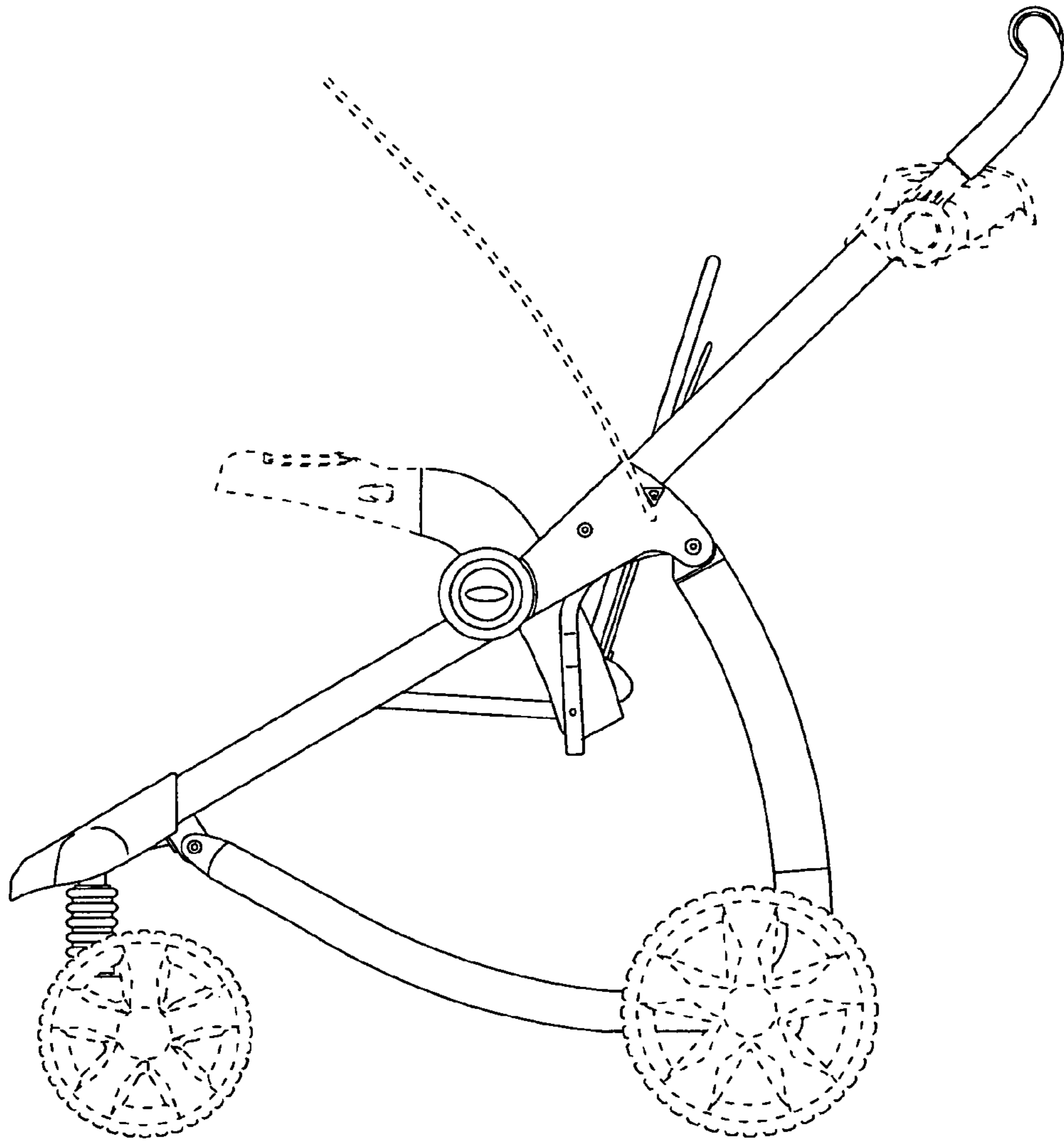


FIG. 7

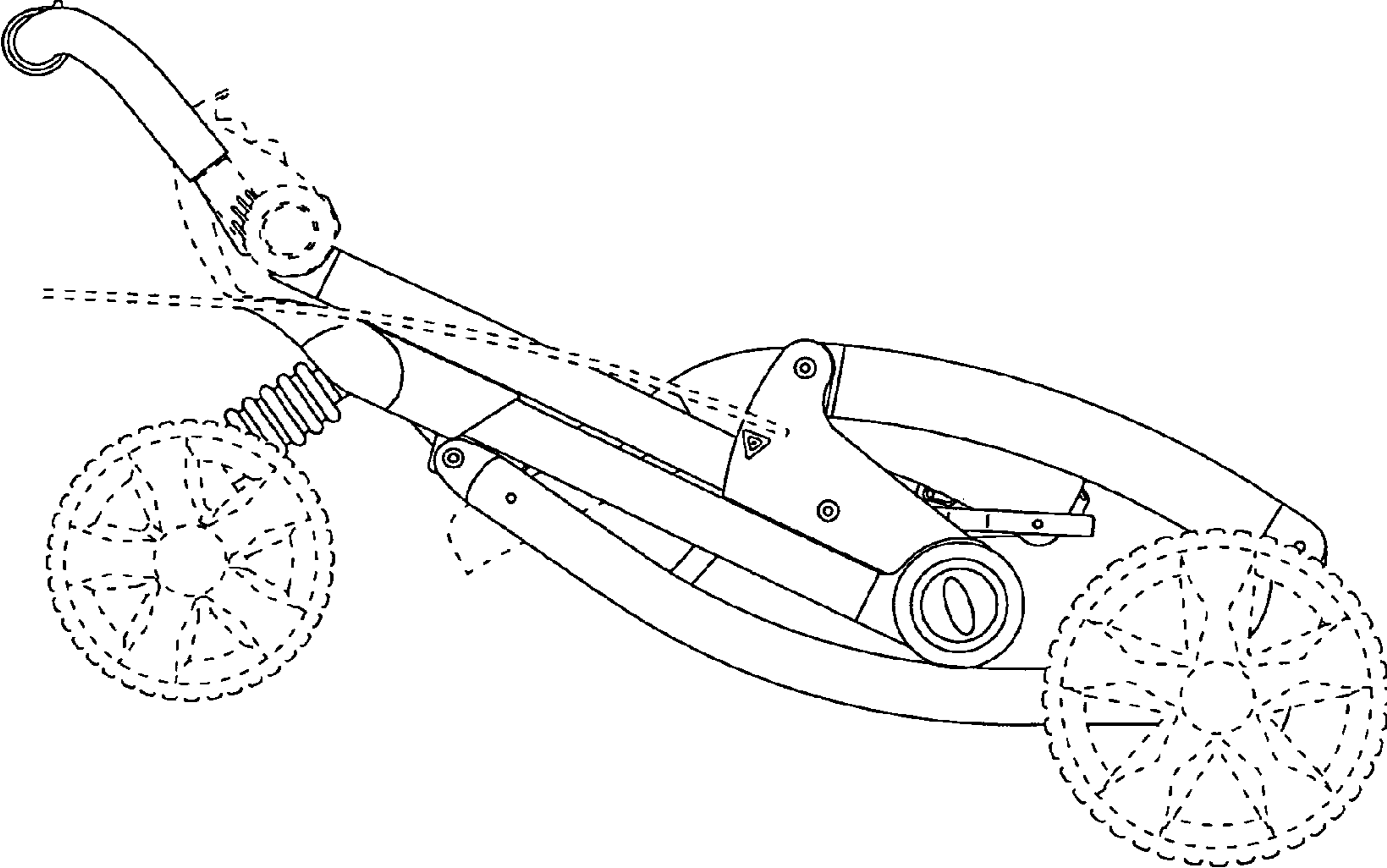


FIG. 8