



US00D578043S

(12) **United States Design Patent**
Idei

(10) **Patent No.:** **US D578,043 S**
(45) **Date of Patent:** **** Oct. 7, 2008**

(54) **FORK BRACE FOR A MOTORCYCLE**

(75) Inventor: **Shoji Idei**, Kakogawa (JP)

(73) Assignee: **Kawasaki Jukogyo Kabushiki Kaisha**,
Hyogo (JP)

(**) Term: **14 Years**

(21) Appl. No.: **29/273,809**

(22) Filed: **Mar. 13, 2007**

(30) **Foreign Application Priority Data**

Sep. 19, 2006 (JP) 2006-024956

(51) **LOC (8) Cl.** **12-11**

(52) **U.S. Cl.** **D12/118**

(58) **Field of Classification Search** D12/110,
D12/114, 117, 118, 223; 180/219; 280/274-280,
280/281.1, 288.1-288.4

See application file for complete search history.

(56) **References Cited**

U.S. PATENT DOCUMENTS

D305,749 S * 1/1990 Jorgensen D12/117
5,715,903 A * 2/1998 Summers et al. 180/219
D547,243 S * 7/2007 Matsumura et al. D12/118

OTHER PUBLICATIONS

J & P Cycles Keeping the World on 2 Wheels® 2001 catalog, fork
braces on p. 507.*

Custom Chrome® 2004 catalog, fork braces on pp. 15.36, and Fork
Skins™ for 39mm Forks by KuryAkyn™ on p. 15.41.*

Chrome Specialties Inc. 2001 catalog, fork braces and Tweek Bar on
p. 489.*

* cited by examiner

Primary Examiner—Cathron Brooks

Assistant Examiner—Linda Brooks

(57) **CLAIM**

The ornamental design for a fork brace for a motorcycle, as
shown and described.

DESCRIPTION

FIG. 1 is a front elevational view of a fork brace for a motor-
cycle showing my new design;

FIG. 2 is a left side elevational view thereof;

FIG. 3 is a top plan view thereof;

FIG. 4 is a bottom plan view thereof,

FIG. 5 is a perspective view thereof; and,

FIG. 6 is a view of the fork brace for a motorcycle from the left
side of a front portion of the motorcycle, shown on a reduced
scale and in position of use.

A rear elevational view is a mirror image of FIG. 1 and a right
side elevational view is a mirror image of FIG. 2.

The broken line showing of the environment is for illustrative
purposes only and forms no part of the claimed design.

1 Claim, 6 Drawing Sheets

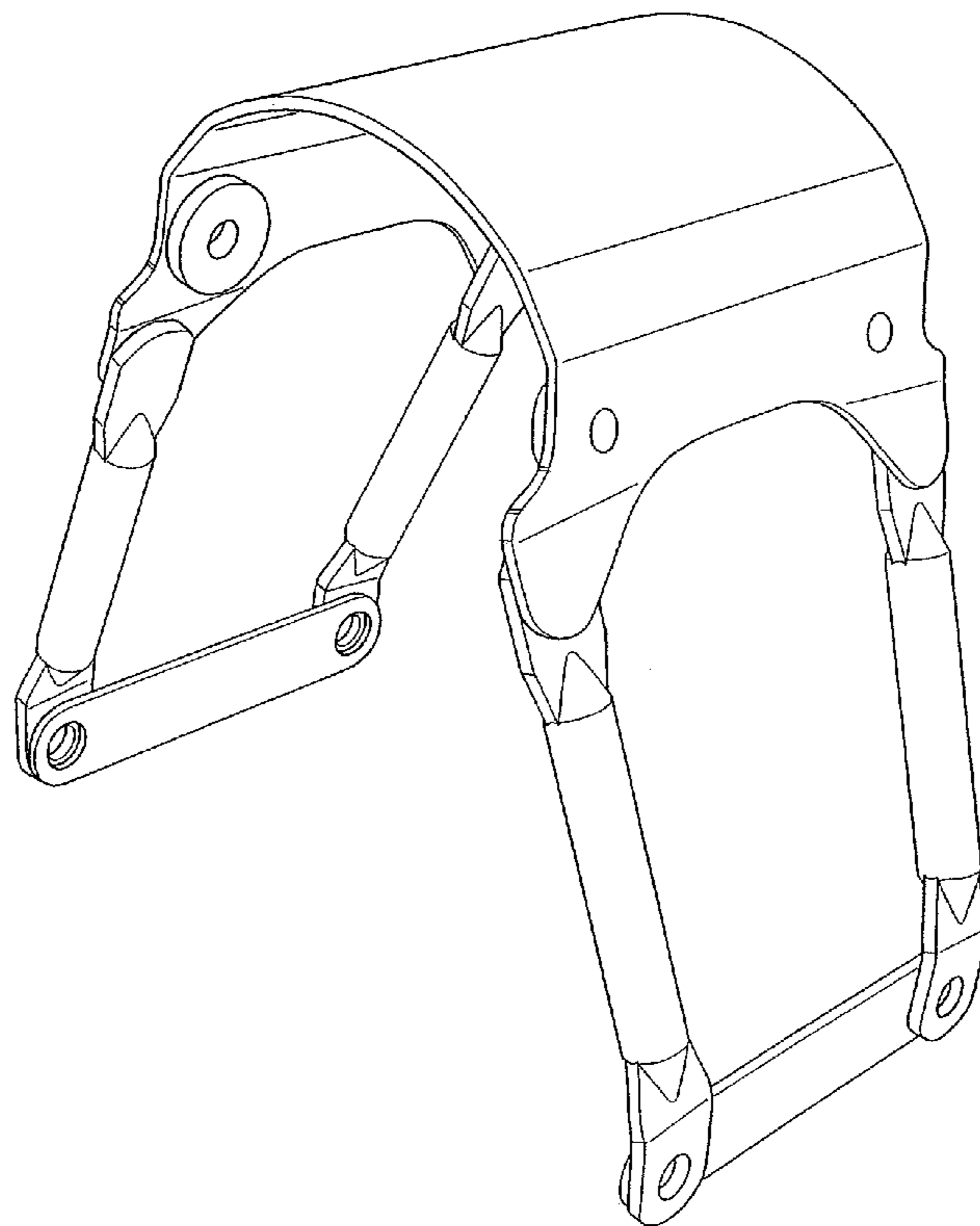


Fig.1

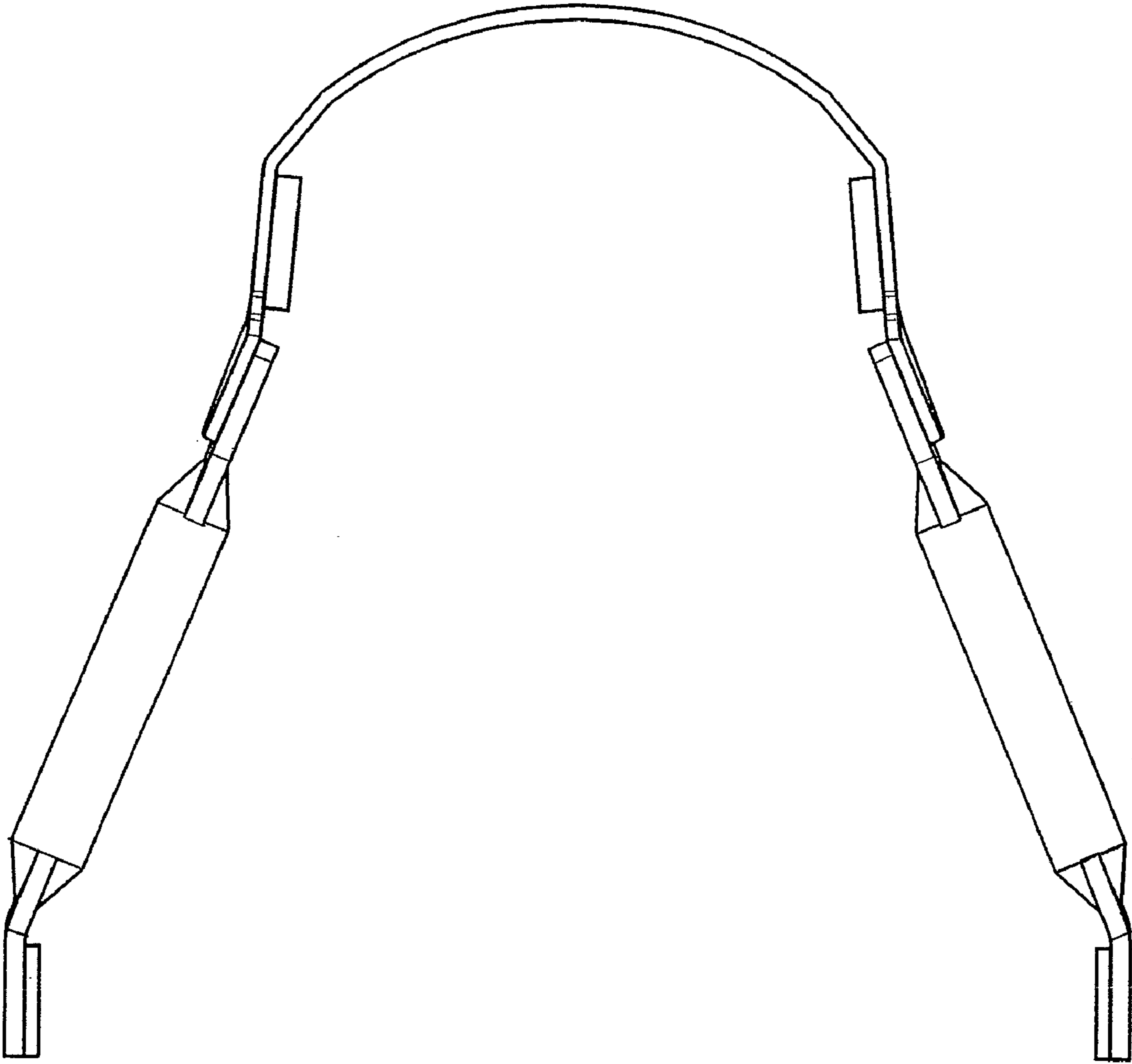


Fig. 2

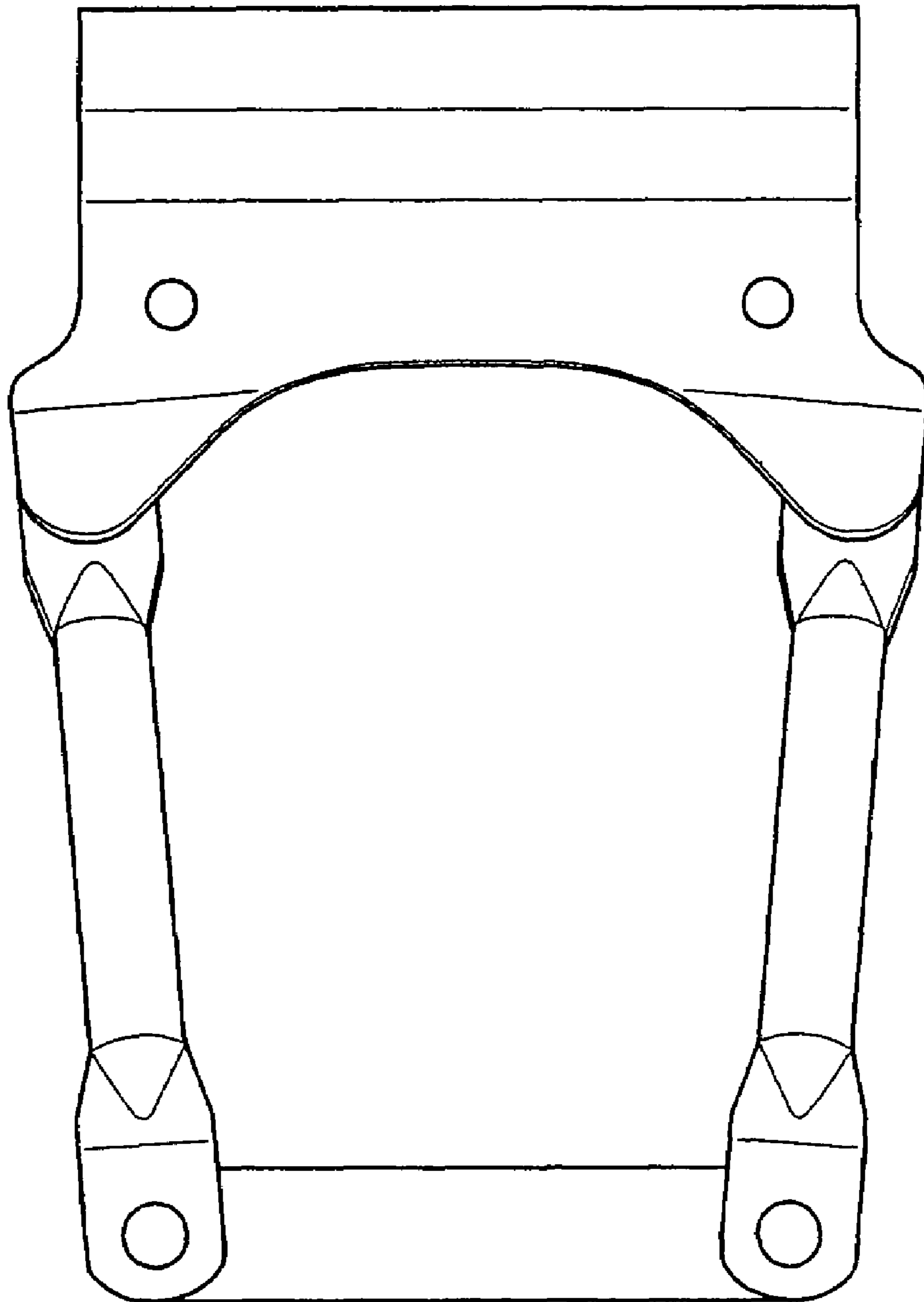


Fig.3

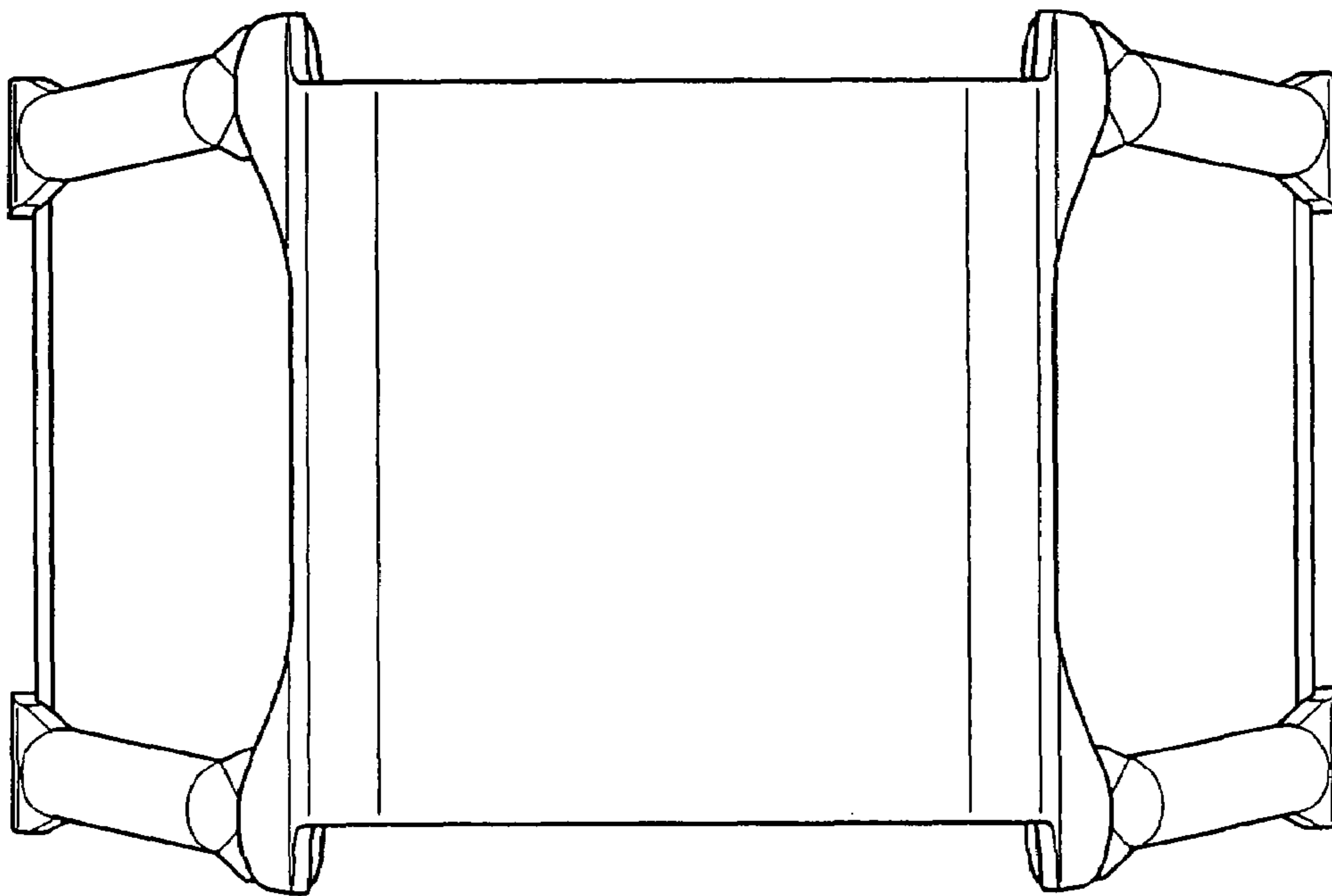


Fig.4

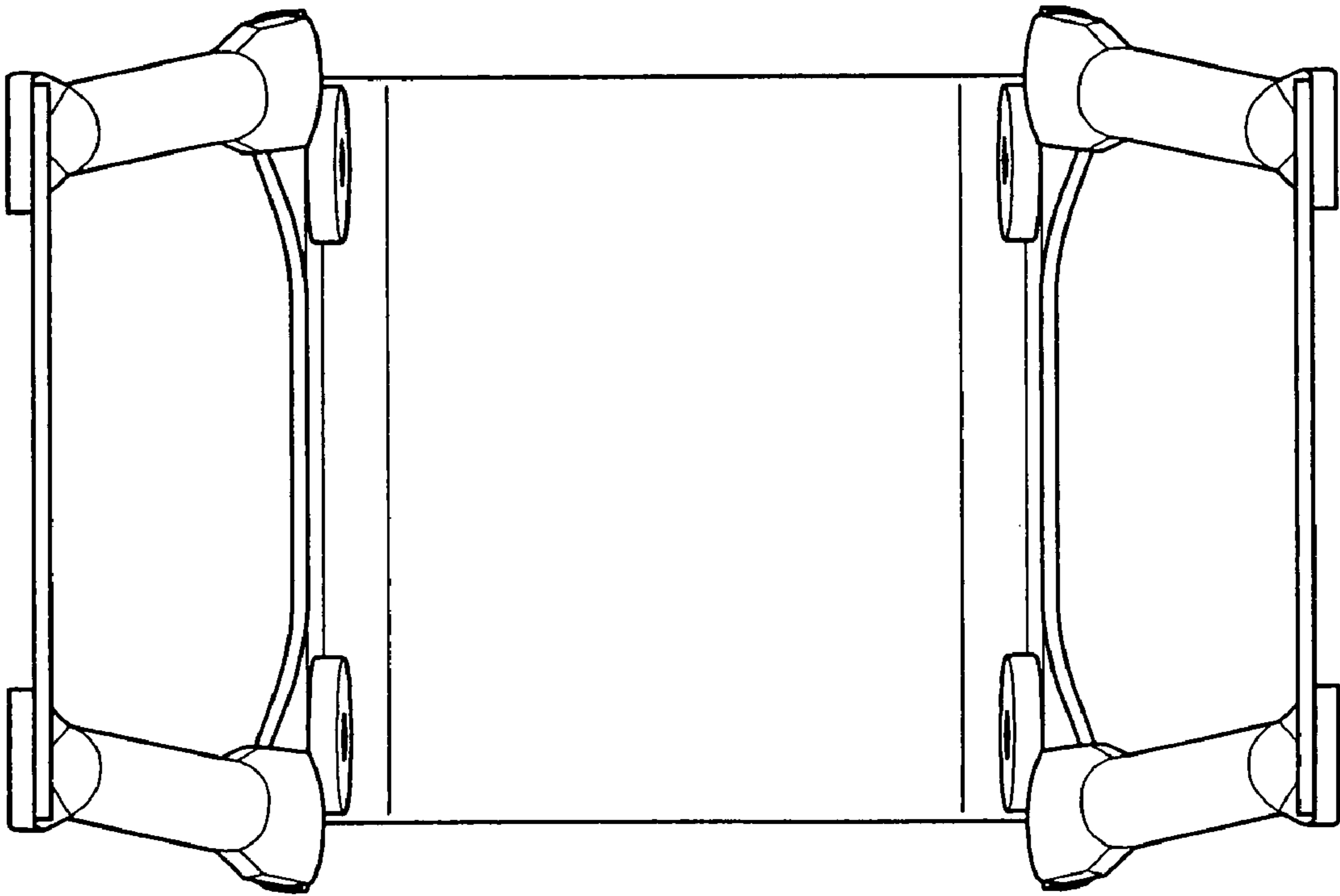


Fig.5

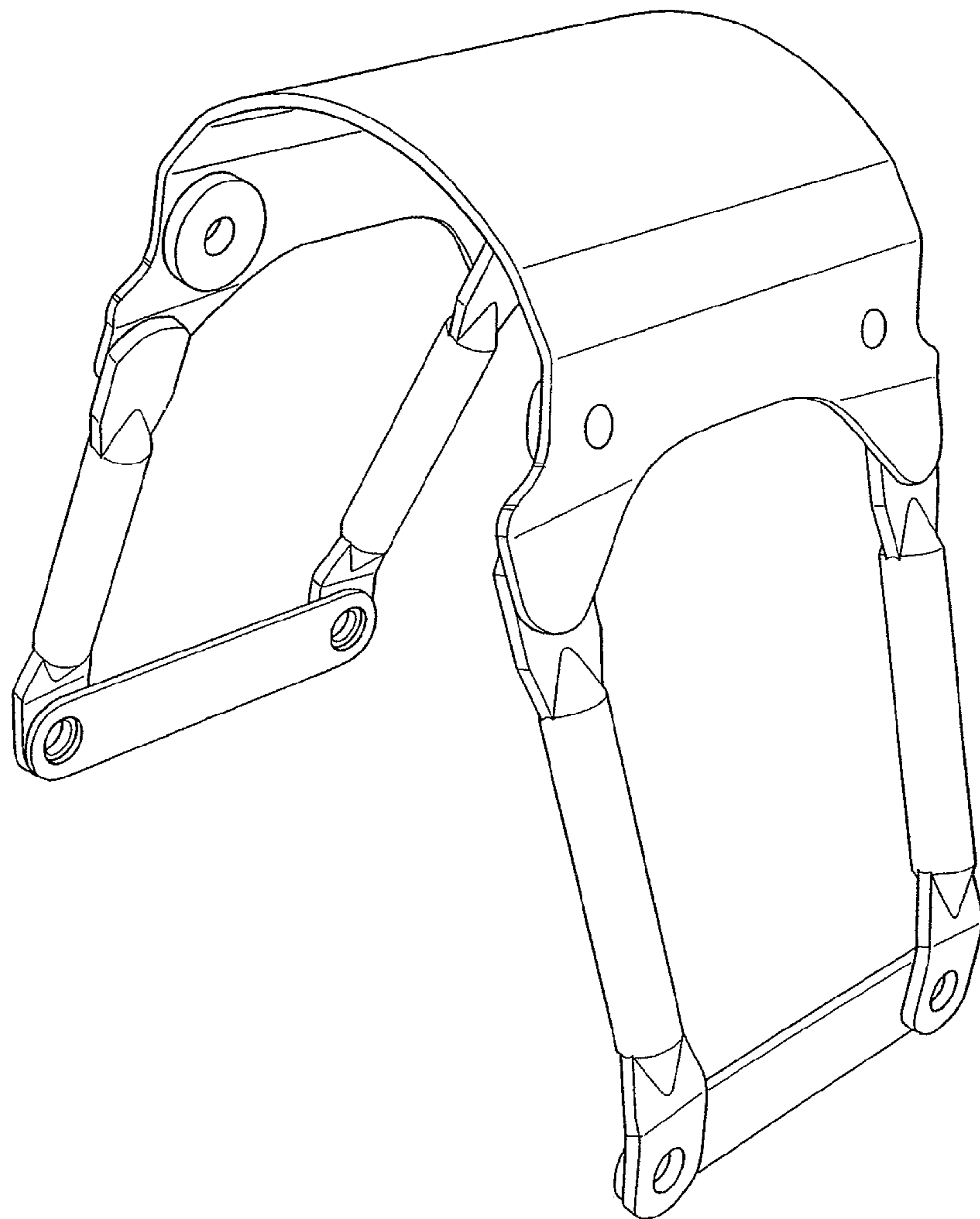


Fig.6

