



US00D578042S

(12) **United States Design Patent**
Yang

(10) **Patent No.:** **US D578,042 S**
(45) **Date of Patent:** **** Oct. 7, 2008**

(54) **ELECTRIC BIKE**

D556,642 S * 12/2007 Lu D12/111

(76) Inventor: **Tai-Her Yang**, 6F-5, No. 250, Sec. 4,
Chung Hsiao E. Rd., Taipei (TW) 10692

* cited by examiner

(**) Term: **14 Years**

Primary Examiner—Cathron Brooks
Assistant Examiner—Linda Brooks
(74) *Attorney, Agent, or Firm*—Bacon & Thomas, PLLC

(21) Appl. No.: **29/290,938**

(22) Filed: **Feb. 1, 2008**

(57) **CLAIM**

(51) **LOC (8) Cl.** **12-11**

(52) **U.S. Cl.** **D12/111**

(58) **Field of Classification Search** D12/110,
D12/111; 280/274–280, 281.1, 288.1–288.3,
280/827, 828; 180/65.1–65.6, 205, 207,
180/219, 220, 206; D21/432, 538
See application file for complete search history.

The ornamental design for an electric bike, as shown and described.

DESCRIPTION

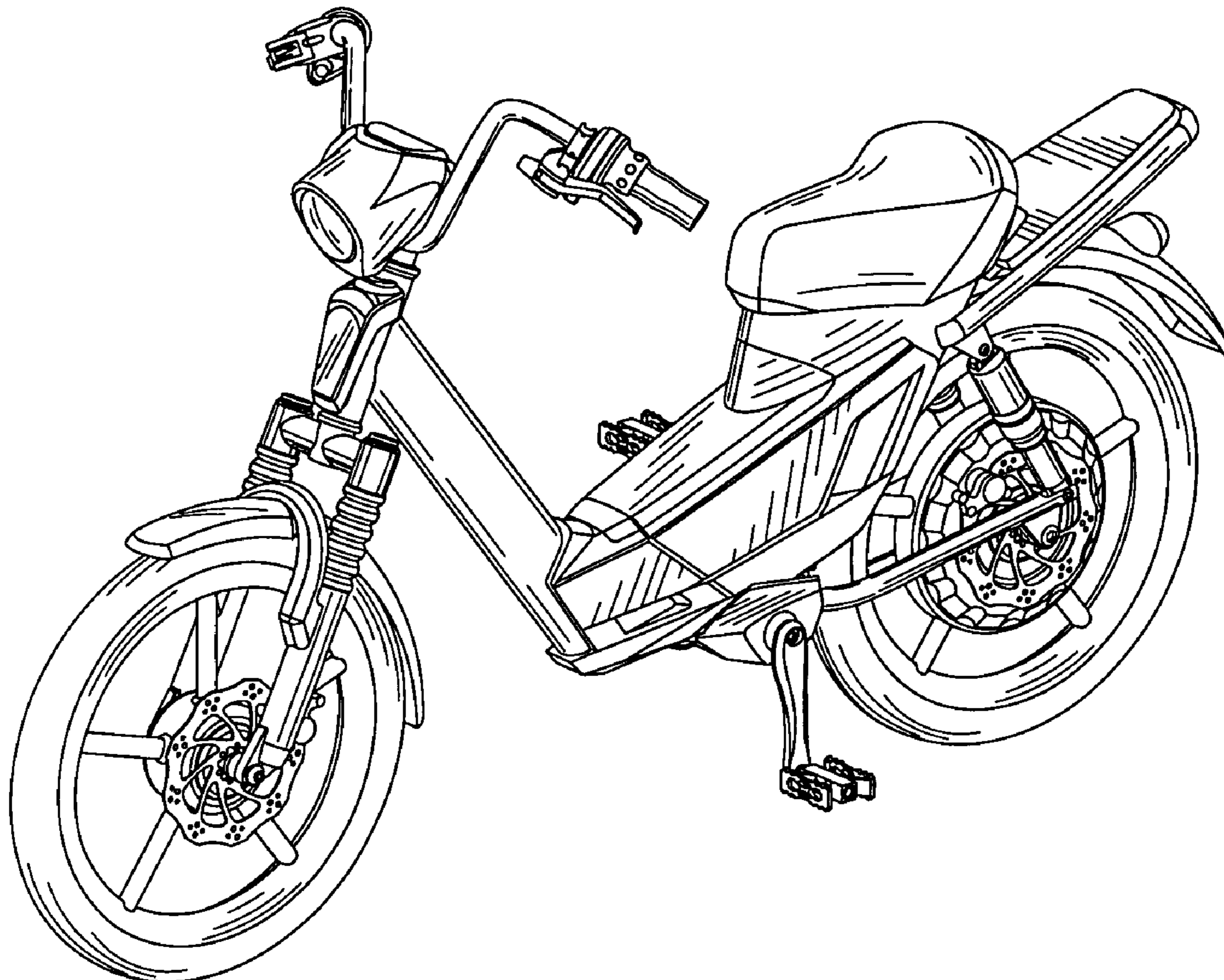
(56) **References Cited**

U.S. PATENT DOCUMENTS

D281,615 S	*	12/1985	Barbato et al.	D21/432
D291,292 S	*	8/1987	Smith et al.	D12/111
D342,702 S	*	12/1993	Camfield et al.	D12/111
D529,842 S	*	10/2006	Lu	D12/111
D529,843 S	*	10/2006	Pizzi	D12/111

FIG. 1 is a perspective view of an electric bike showing my new design;
FIG. 2 is a front view thereof;
FIG. 3 is a rear view thereof;
FIG. 4 is a left side view thereof;
FIG. 5 is a right side view thereof;
FIG. 6 is a top plan view thereof; and,
FIG. 7 is a bottom plan view thereof.

1 Claim, 3 Drawing Sheets



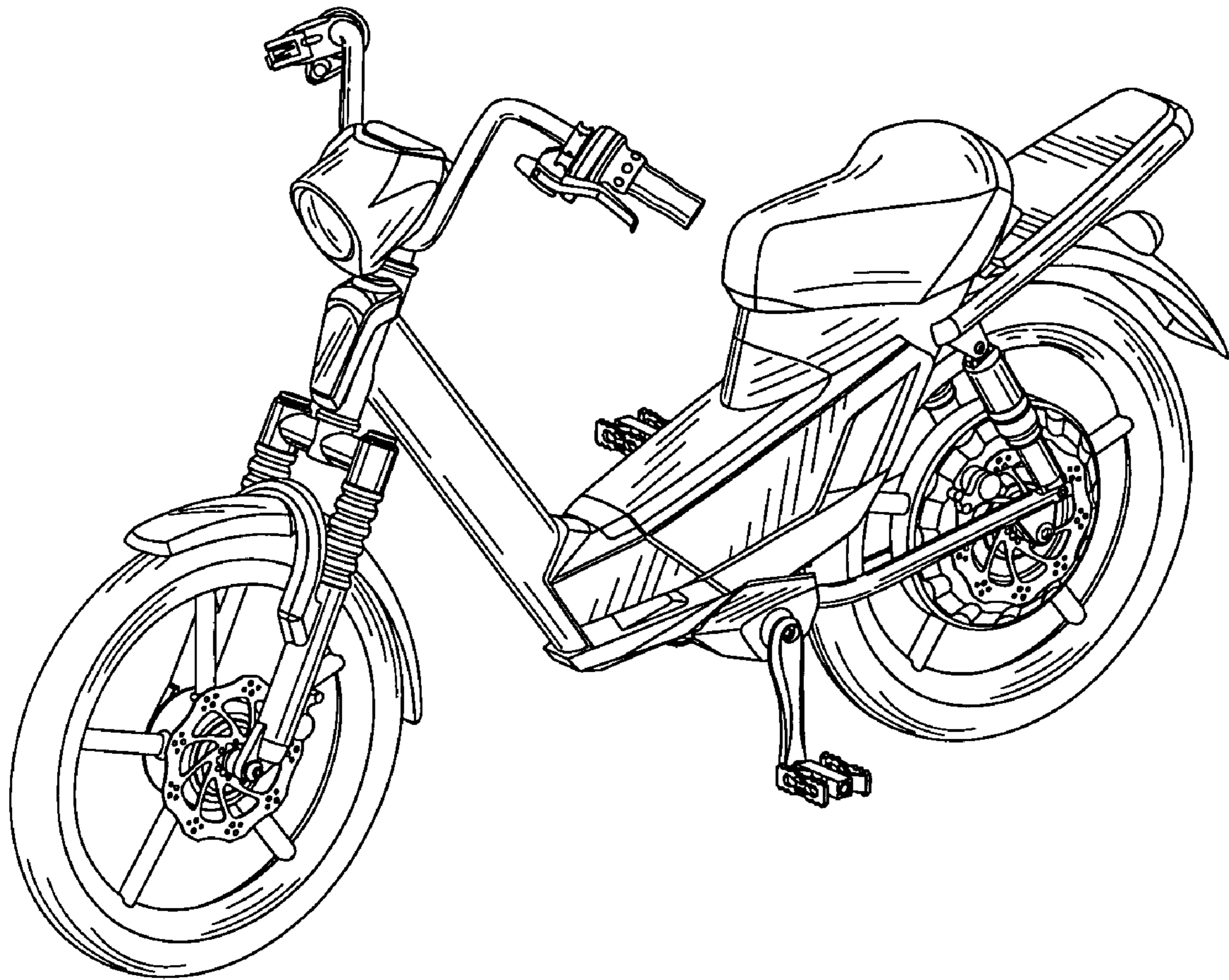


FIG. 1

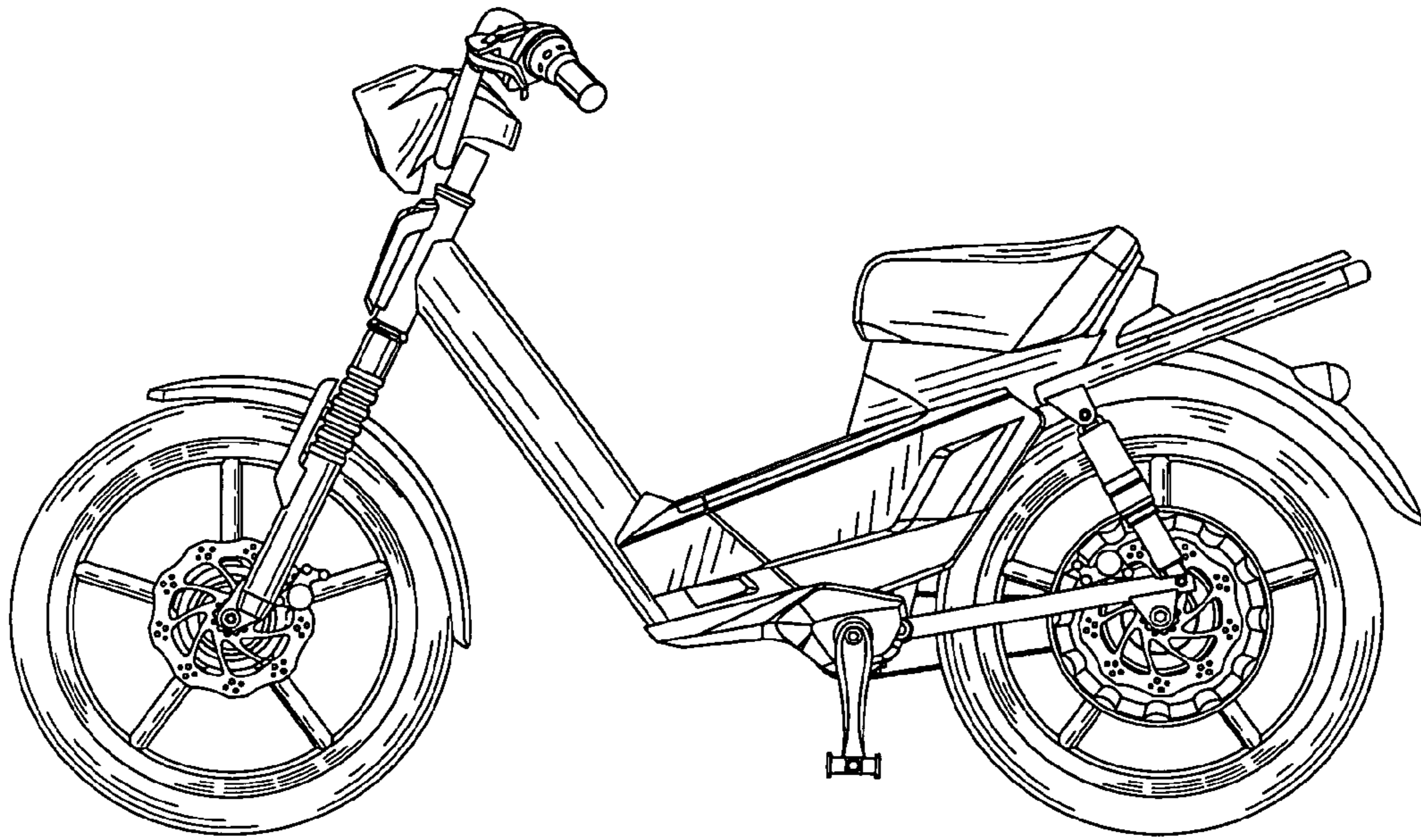


FIG. 2

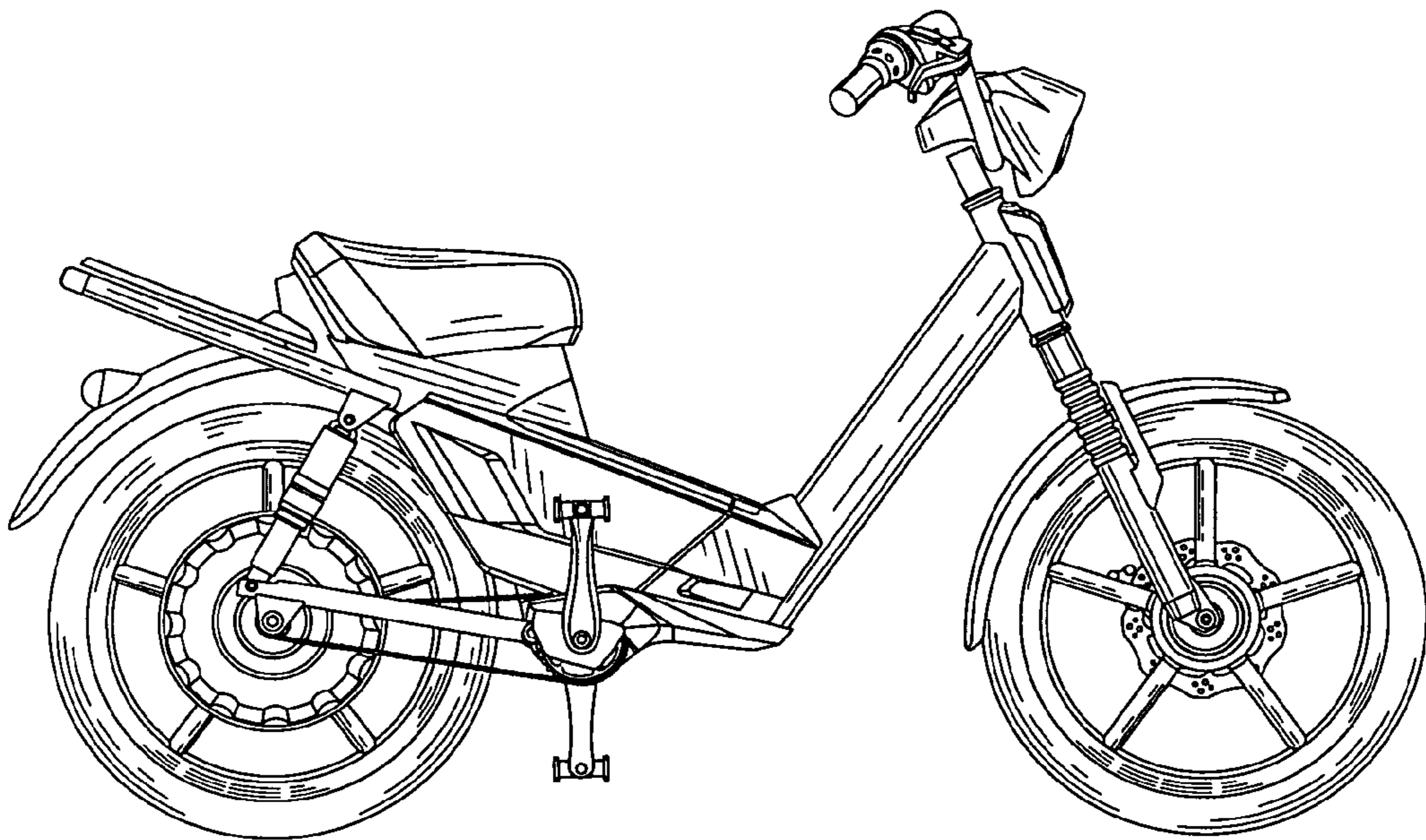


FIG. 3

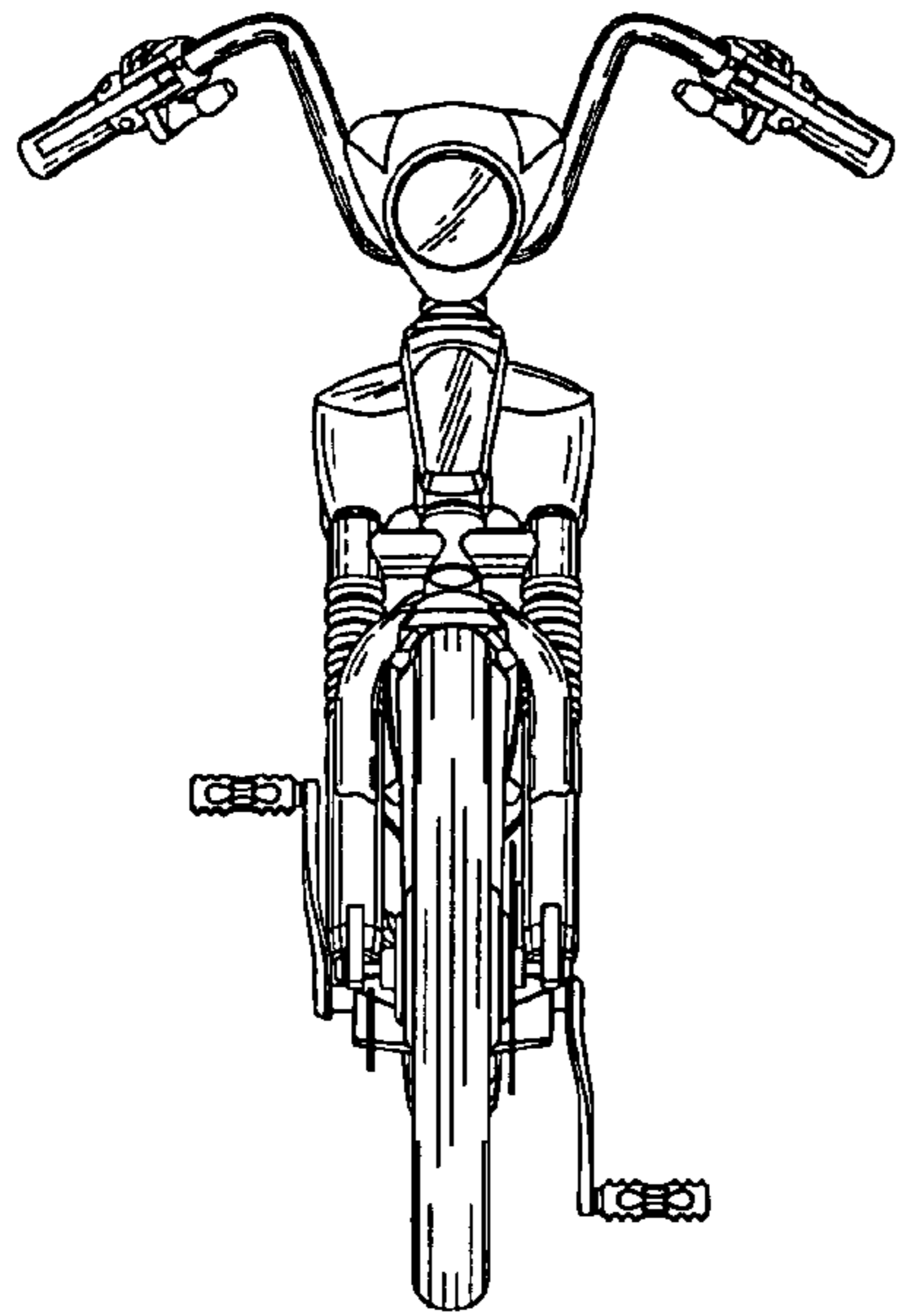


FIG. 4

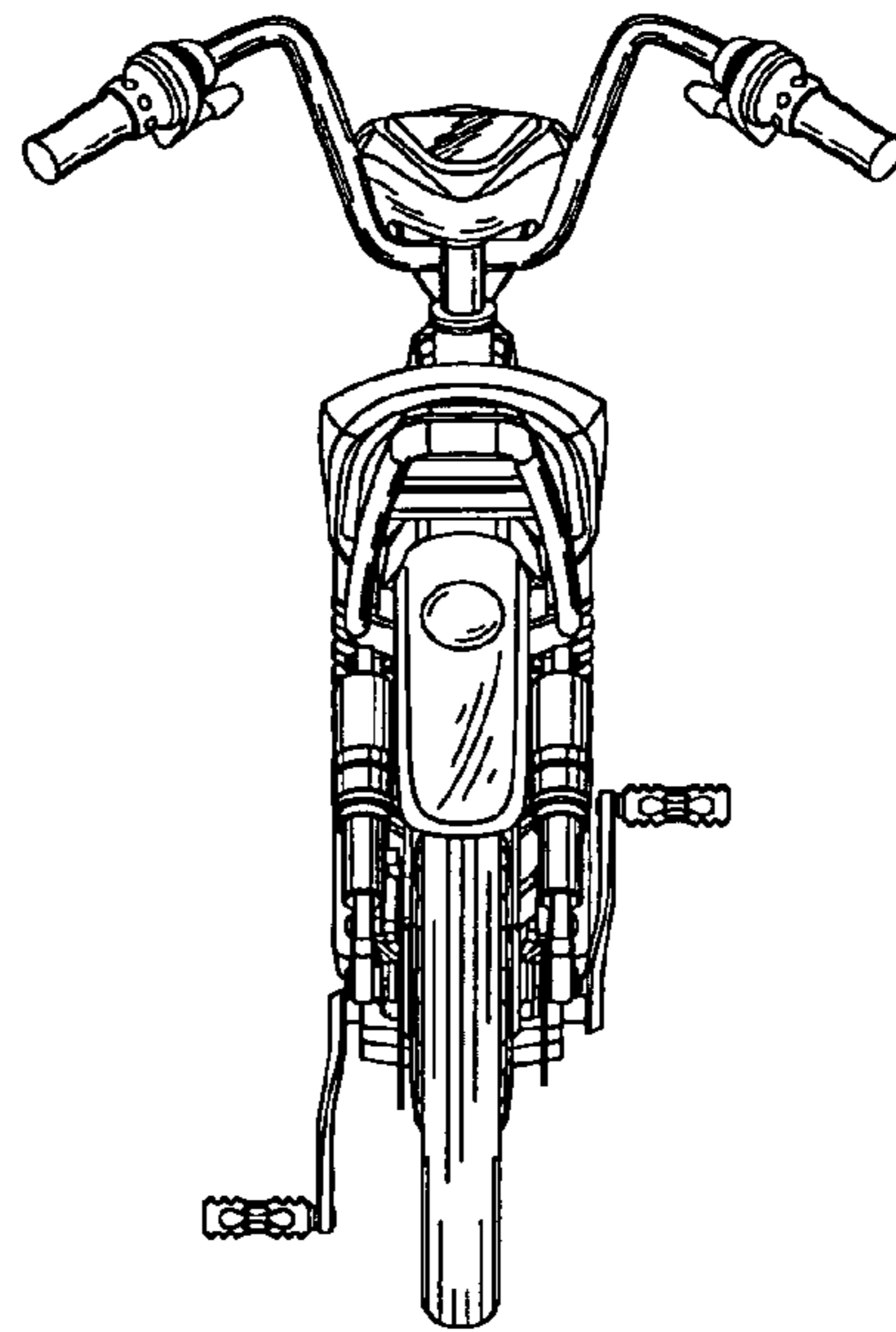


FIG. 5

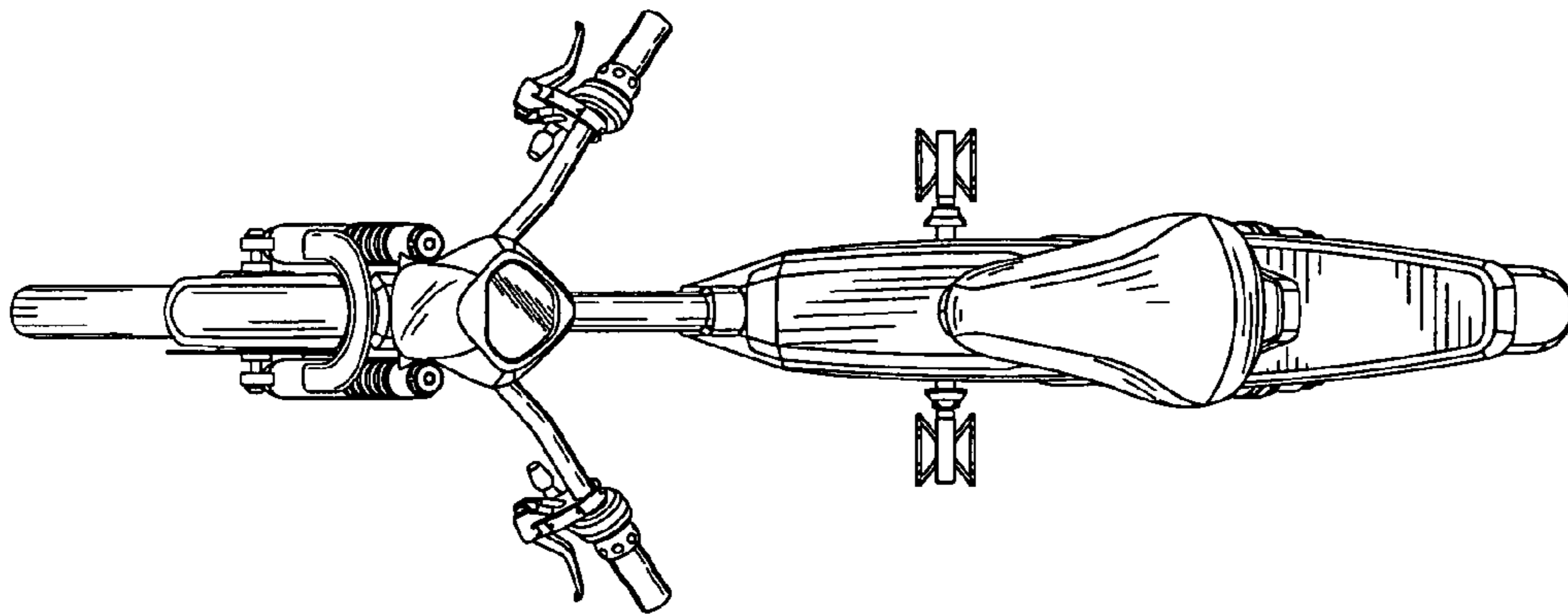


FIG. 6

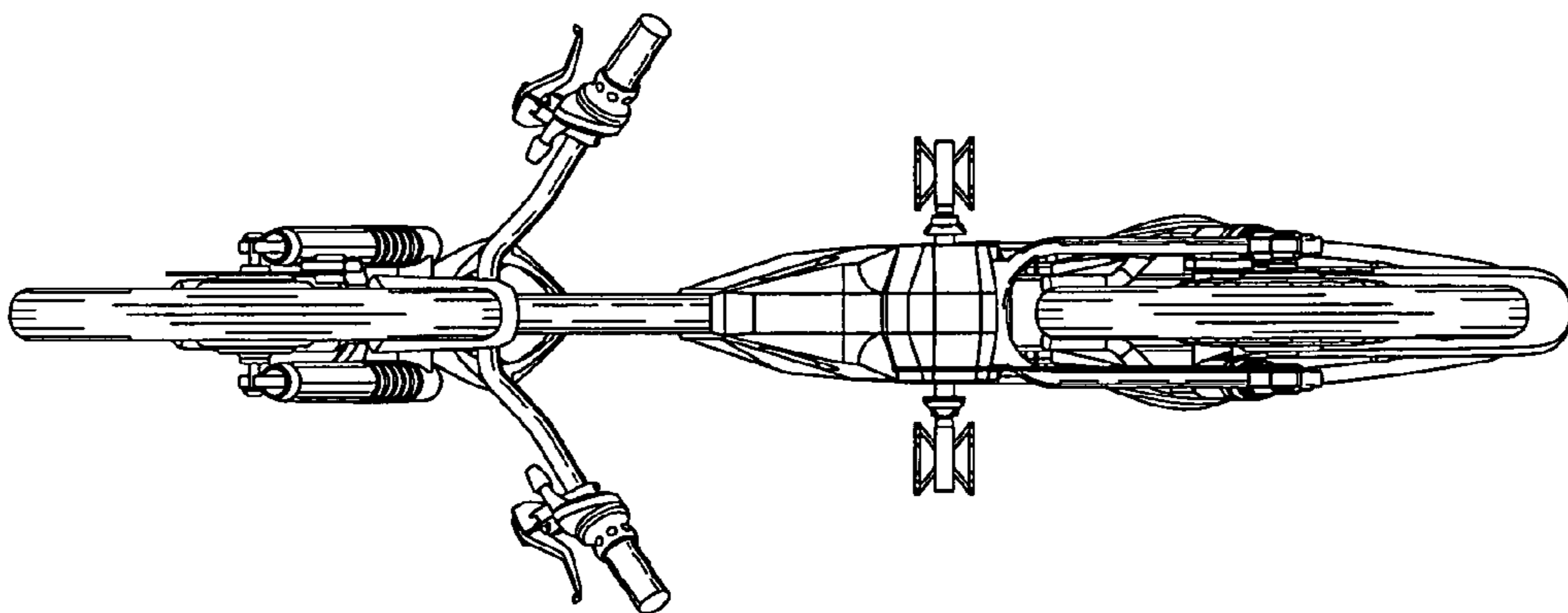


FIG. 7